

SAMSUNG

PROJECTION TV RECEIVER

Chassis : P54A(REV. 3)

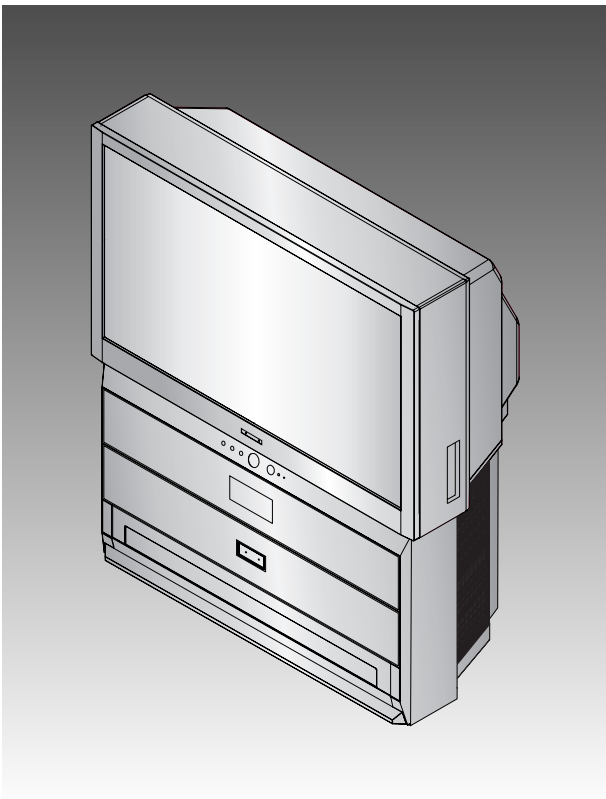
Model : HCM653W

HCM553W

HCM5525W

SERVICE *Manual*

PROJECTION TV RECEIVER



CONTENTS

1. Precautions
2. Reference Information
3. Specifications
4. Alignment and Adjustments
5. Troubleshooting
6. Exploded View and Parts List
7. Electric Parts List
8. Block Diagrams
9. Wiring Diagram
10. Schematic Diagrams



1. Precautions

Follow these safety, servicing and ESD precautions to prevent damage and protect against potential hazards such as electrical shock and X-rays.

1-1 Safety Precautions

1. Be sure that all of the built-in protective devices are replaced. Restore any missing protective shields.
2. When reinstalling the chassis and its assemblies, be sure to restore all protective devices, including: nonmetallic control knobs and compartment covers.
3. Make sure that there are no cabinet openings through which people—particularly children—might insert fingers and contact dangerous voltages. Such openings include the spacing between the picture tube and the cabinet mask, excessively wide cabinet ventilation slots, and improperly fitted back covers.

If the measured resistance is less than 1.0 megohm or greater than 5.2 megohms, an abnormality exists that must be corrected before the unit is returned to the customer.

4. Leakage Current Hot Check (Figure 1-1):
Warning: Do not use an isolation transformer during this test. Use a leakage-current tester or a metering system that complies with American National Standards Institute (ANIS C101.1, Leakage Current for Appliances), and Underwriters Laboratories (UL Publication UL1410, 59.7).
5. With the unit completely reassembled, plug the AC line cord directly into the power outlet. With the unit's AC switch first in the ON position and then OFF, measure the current between a known earth ground (metal water pipe, conduit, etc.) and all exposed metal parts, including: antennas, handle brackets, metal cabinets, screwheads and control shafts. The current measured should not exceed 0.5 milliamp. Reverse the power-plug prongs in the AC outlet and repeat the test.

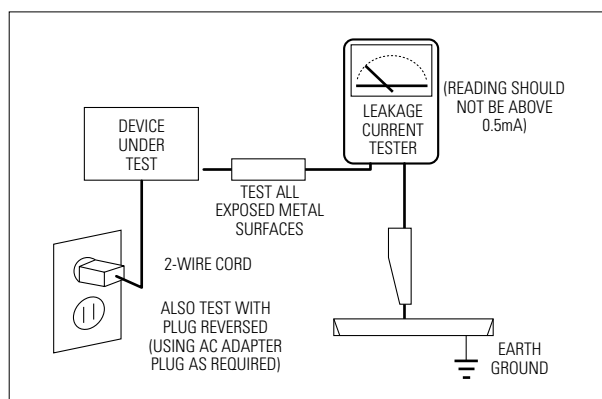


Fig. 1-1 AC Leakage Test

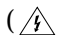
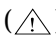
6. Antenna Cold Check:
With the unit's AC plug disconnected from the AC source, connect an electrical jumper across the two AC prongs. Connect one lead of the ohmmeter to an AC prong. Connect the other lead to the coaxial connector.
7. X-ray Limits:
The picture tube is especially designed to prohibit X-ray emissions. To ensure continued X-ray protection, replace the picture tube only with one that is the same type as the original. Carefully reinstall the picture tube shields and mounting hardware; these also provide X-ray protection.
8. High Voltage Limits:
High voltage must be measured each time servicing is done on the B+, horizontal deflection or high voltage circuits. Correct operation of the X-ray protection circuits must be reconfirmed whenever they are serviced. (X-ray protection circuits also may be called "horizontal disable" or "hold-down".)

Heed the high voltage limits. These include the X-ray Protection Specifications Label, and the Product Safety and X-ray Warning Note on the service data schematic.

1-1 Safety Precautions (Continued)

9. High voltage is maintained within specified limits by close-tolerance, safety-related components and adjustments. If the high voltage exceeds the specified limits, check each of the special components.
10. Design Alteration Warning:
Never alter or add to the mechanical or electrical design of this unit. Example: Do not add auxiliary audio or video connectors. Such alterations might create a safety hazard. Also, any design changes or additions will void the manufacturer's warranty.
11. Hot Chassis Warning:
Some TV receiver chassis are electrically connected directly to one conductor of the AC power cord. If an isolation transformer is not used, these units may be safely serviced only if the AC power plug is inserted so that the chassis is connected to the ground side of the AC source.

To confirm that the AC power plug is inserted correctly, do the following: Using an AC voltmeter, measure the voltage between the chassis and a known earth ground. If the reading is greater than 1.0V, remove the AC power plug, reverse its polarity and reinsert. Re-measure the voltage between the chassis and ground.
12. Some TV chassis are designed to operate with 85 volts AC between chassis and ground, regardless of the AC plug polarity. These units can be safely serviced only if an isolation transformer inserted between the receiver and the power source.
13. Some TV chassis have a secondary ground system in addition to the main chassis ground. This secondary ground system is not isolated from the AC power line. The two ground systems are electrically separated by insulating material that must not be defeated or altered.
14. Components, parts and wiring that appear to have overheated or that are otherwise damaged should be replaced with parts that meet the original specifications. Always determine the cause of damage or overheating, and correct any potential hazards.
15. Observe the original lead dress, especially near the following areas: Antenna wiring, sharp edges, and especially the AC and high voltage power supplies. Always inspect for pinched, out-of-place, or frayed wiring. Do not change the spacing between components and the printed circuit board. Check the AC power cord for damage. Make sure that leads and components do not touch thermally hot parts.
16. Picture Tube Implosion Warning:
The picture tube in this receiver employs "integral implosion" protection. To ensure continued implosion protection, make sure that the replacement picture tube is the same as the original.
17. Do not remove, install or handle the picture tube without first putting on shatterproof goggles equipped with side shields. Never handle the picture tube by its neck. Some "in-line" picture tubes are equipped with a permanently attached deflection yoke; do not try to remove such "permanently attached" yokes from the picture tube.
18. Product Safety Notice:
Some electrical and mechanical parts have special safety-related characteristics which might not be obvious from visual inspection. These safety features and the protection they give might be lost if the replacement component differs from the original—even if the replacement is rated for higher voltage, wattage, etc.

Components that are critical for safety are indicated in the circuit diagram by shading, () or ().
Use replacement components that have the same ratings, especially for flame resistance and dielectric strength specifications. A replacement part that does not have the same safety characteristics as the original might create shock, fire or other hazards.

1-2 Servicing Precautions

Warning 1 : First read the "Safety Precautions" section of this manual. If some unforeseen circumstance creates a conflict between the servicing and safety precautions, always follow the safety precautions.

Warning 2 : An electrolytic capacitor installed with the wrong polarity might explode.

1. Servicing precautions are printed on the cabinet. Follow them.
2. Always unplug the unit's AC power cord from the AC power source before attempting to: (a) Remove or reinstall any component or assembly, (b) Disconnect an electrical plug or connector, (c) Connect a test component in parallel with an electrolytic capacitor.
3. Some components are raised above the printed circuit board for safety. An insulation tube or tape is sometimes used. The internal wiring is sometimes clamped to prevent contact with thermally hot components. Reinstall all such elements to their original position.
4. After servicing, always check that the screws, components and wiring have been correctly reinstalled. Make sure that the portion around the serviced part has not been damaged.
5. Check the insulation between the blades of the AC plug and accessible conductive parts (examples: metal panels, input terminals and earphone jacks).
6. Insulation Checking Procedure: Disconnect the power cord from the AC source and turn the power switch ON. Connect an insulation resistance meter (500V) to the blades of the AC plug.

The insulation resistance between each blade of the AC plug and accessible conductive parts (see above) should be greater than 1 megohm.
7. Never defeat any of the B+ voltage interlocks. Do not apply AC power to the unit (or any of its assemblies) unless all solid-state heat sinks are correctly installed.
8. Always connect a test instrument's ground lead to the instrument chassis ground before connecting the positive lead; always remove the instrument's ground lead last.
9. When some parts inside the optical engine (except lamp) are damaged, replace the whole optical engine.

"CAUTION : Double-pole/neutral fusing"

1-3 Precautions for Electrostatically Sensitive Devices (ESDs)

1. Some semiconductor (“solid state”) devices are easily damaged by static electricity. Such components are called Electrostatically Sensitive Devices (ESDs); examples include integrated circuits and some field-effect transistors. The following techniques will reduce the occurrence of component damage caused by static electricity.
2. Immediately before handling any semiconductor components or assemblies, drain the electrostatic charge from your body by touching a known earth ground. Alternatively, wear a discharging wrist-strap device. (Be sure to remove it prior to applying power—this is an electric shock precaution.)
3. After removing an ESD-equipped assembly, place it on a conductive surface such as aluminum foil to prevent accumulation of electrostatic charge.
4. Do not use freon-propelled chemicals. These can generate electrical charges that damage ESDs.
5. Use only a grounded-tip soldering iron when soldering or unsoldering ESDs.
6. Use only an anti-static solder removal device. Many solder removal devices are not rated as “anti-static”; these can accumulate sufficient electrical charge to damage ESDs.
7. Do not remove a replacement ESD from its protective package until you are ready to install it. Most replacement ESDs are packaged with leads that are electrically shorted together by conductive foam, aluminum foil or other conductive materials.
8. Immediately before removing the protective material from the leads of a replacement ESD, touch the protective material to the chassis or circuit assembly into which the device will be installed.
9. Minimize body motions when handling unpackaged replacement ESDs. Motions such as brushing clothes together, or lifting a foot from a carpeted floor can generate enough static electricity to damage an ESD.

CAUTION

These servicing instructions are for use by qualified service personnel only. To reduce the risk of electric shock do not perform any servicing other than that contained in the operating instructions unless you are qualified to do so.

2. Reference Information

2-1 Tables of Abbreviations and Acronyms

Table 2-1 Abbreviations

A	Ampere	MV	Megavolt
Ah	Ampere-hour	MW	Megawatt
Å	Angstrom	MΩ	Megohm
dB	Decibel	m	Meter
dBm	Decibel Referenced to One Milliwatt	μA	Microampere
°C	Degree Celsius	μF	Microfarad
°F	Degree Fahrenheit	μH	Microhenry
°K	degree Kelvin	μm	Micrometer
F	Farad	μs	Microsecond
G	Gauss	μW	Microwatt
GHz	Gigahertz	mA	Milliampere
g	Gram	mg	Milligram
H	Henry	mH	Millihenry
Hz	Hertz	ml	Milliliter
h	Hour	mm	Millimeter
ips	Inches Per Second	ms	Millisecond
kWh	Kilowatt-hour	mV	Millivolt
kg	Kilogram	nF	Nanofarad
kHz	Kilohertz	Ω	Ohm
kΩ	Kilohm	pF	Picofarad
km	Kilometer	lb	Pound
km/h	Kilometer Per Hour	rpm	Revolutions Per Minute
kV	Kilovolt	rps	Revolutions Per Second
kVA	Kilovolt-ampere	s	Second (Time)
kW	Kilowatt	V	Volt
l	Liter	VA	Volt-ampere
MHz	Megahertz	W	Watt
		Wh	Watt-hour

Table 2-2 Table of Acronyms

ABL	Automatic Brightness Limiter	I/O	Input/output
AC	Alternating Current	L	Left
ACC	Automatic Chroma Control	L	Low
AF	Audio Frequency	LED	Light Emitting Diode
AFC	Automatic Frequency Control	LF	Low Frequency
AFT	Automatic Fine Tuning	MOSFET	Metal-Oxide-Semiconductor-Field-Effect-Tr
AGC	Automatic Gain Control	MTS	Multi-channel Television Sound
AM	Amplitude Modulation	NAB	National Association of Broadcasters
ANSI	American National Standards Institute	NEC	National Electric Code
APC	Automatic Phase Control	NTSC	National Television Systems Committee
APC	Automatic Picture Control	OSD	On Screen Display
A/V	Audio-Video	PCB	Printed Circuit Board
AVC	Automatic Volume Control	PLL	Phase-Locked Loop
BAL	Balance	PWM	Pulse Width Modulation
BPF	Bandpass Filter	QIF	Quadrature Intermediate Frequency
B-Y	Blue-Y	R	Right
CATV	Community Antenna Television (Cable TV)	RC	Resistor & Capacitor
CB	Citizens Band	RF	Radio Frequency
CCD	Charge Coupled Device	R-Y	Red-Y
CCTV	Closed Circuit Television	SAP	Second Audio Program
Ch	Channel	SAW	Surface Acoustic Wave(Filter)
CRT	Cathode Ray Tube	SIF	Sound Intermediate Frequency
CW	Continuous Wave	SMPS	Switching Mode Power Supply
DC	Direct Current	S/N	Signal/Noise
DVM	Digital Volt Meter	SW	Switch
EIA	Electronics Industries Association	TP	Test Point
ESD	Electrostatic Discharge	TTL	Transistor Transistor Logic
ESD	Electrostatically Sensitive Device	TV	Television
FBP	Feedback Pulse	UHF	Ultra High Frequency
FBT	Flyback Transformer	UL	Underwriters Laboratories
FF	Flip-Flop	UV	Ultraviolet
FM	Frequency Modulation	VCD	Variable-Capacitance Diode
FS	Fail Safe	VCO	Voltage Controlled Oscillator
GND	Ground	VCXO	Voltage Controlled Crystal Oscillator
G-Y	Green-Y	VHF	Very High Frequency
H	High	VIF	Video Intermediate Frequency
HF	High-Frequency	VR	Variable Resistor
HI-FI	High Fidelity	VTR	Video Tape Recorder
IC	Inductance-Capacitance	VTVM	Vacuum Tube Voltmeter
IC	Integrated Circuit	TR	Transistor
IF	Intermediate Frequency		

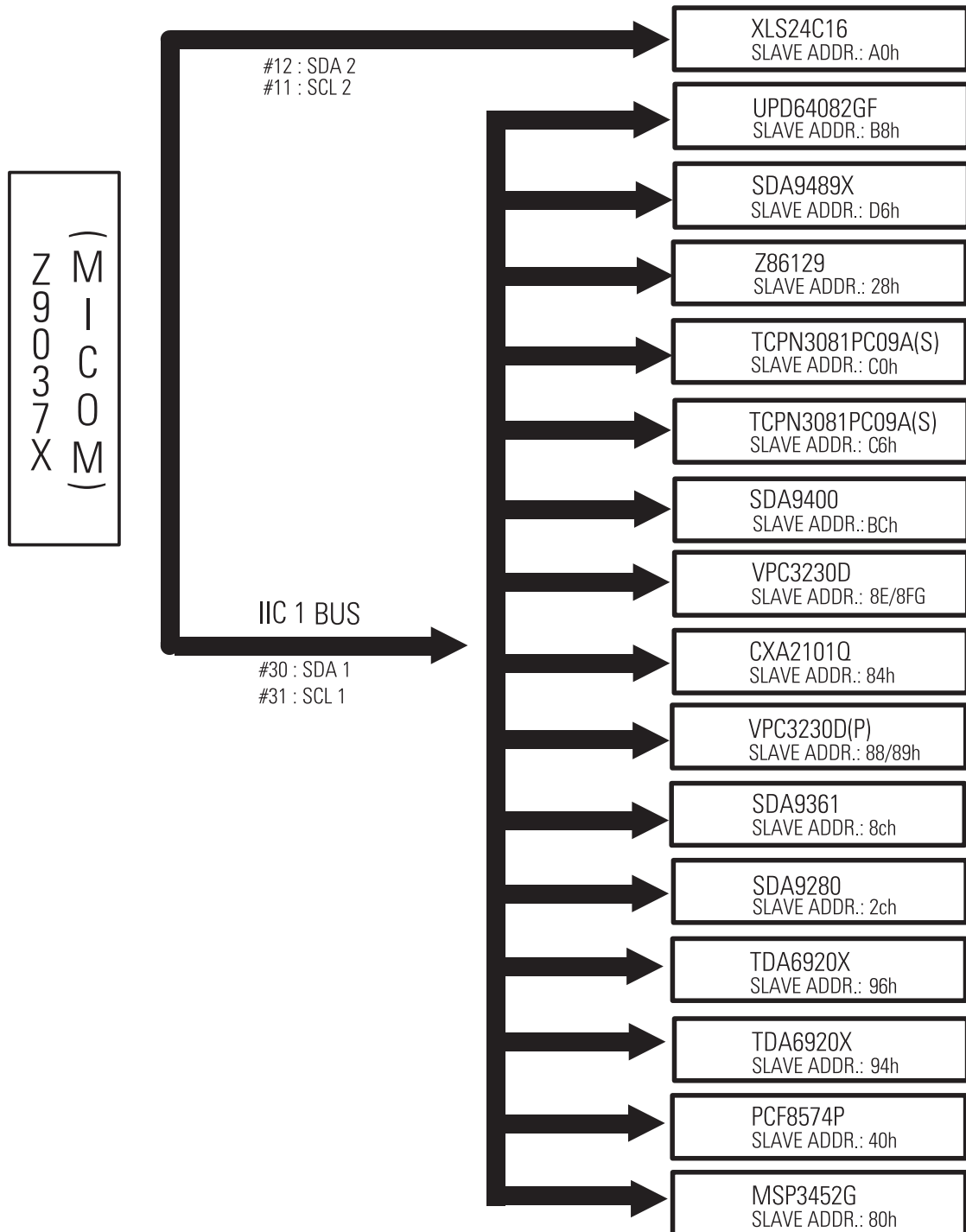
2-2 IC Line Up

2-2-1 Progressive

Table 2 - 3 IC Line - Up			
No.	Block Name	IC Location	IC Name
1	MAIN	IC655	TDA7265
2	SUB	ICS801	TNY253P
		IC301	LA7845
		IC471	TL494CN
		ICZ103,104	STK392-040
		IC431	MC4558C
3	A/V-Terminal	IC703	PCF8574P
		ICP706	PCF8574P(Option)
		IC701,702	TDA6920X
		IC705	TC4052BP
		ICD02	MC14528B
		ICD01,03	EL4583C
4	Micom	IC901	Z9037116PSC
		IC902	24C16
5	Caption	ICC01	Z86129
		ICC02,03	NJM2248D
6	Double Window(D/W)	IC06	SDA9361
		IC07	CXA2101AQ
		IC01	VPC3230D-B2
		IC02	SDP9400
		IC03	SDS9280
		PIC01	VPC3230D-B2
		PIC02	MS81V04160
*6-1	PIP	*ICP701	SDA9488X
		*IC04	CIP3250A
7	3D-Comb	IC01	UPD64082GF
		IC02	416C1204

Table 2 - 3 IC Line - Up (Continued)			
No.	Block Name	IC Location	IC Name
8	Convergence (SDC11)	IC01	SDC11
		IC06	TSC87251 20-OTP
		IC04	7042
		IC05	24C16
		IC08	EL2250CS
		IC09	74HC4052
		IC10,11,12	TL072
		IC13	TL324
		IC14,15,16	7S04
		IC17	TLC2932IPWLE
*8-1	Convergence (SDC12)	IC04,05,06	NC7S04P5X
		IC08	74HC4052
		IC13	NC7SB3157P6X
		IC05	24C16
		IC12	KA324D
		IC09,10,11	TL072C
		IC07	EL2250CS
		IC03	KIA7042AF
		IC02	KA78M33D
		IC17	TLC2932IPWLE
9	Sound	ICD601	MSP3452G-A1
		*ICD601	MSP3450G-B6
		ICD602,603	TL062
10	CRT	IC501,531,561	TDA6111Q
11	POWER	IC801S	STRF6656
		IC802	SVD001(OPTION)
		IC804	SE110N
12	REPLAY-MODULE (OPTION)	DU801	EPC1PC8
		DU803,804,805,806	K4S561632C-TL75
		DU808	MIC39150
		DU800	EP1K30FC256-3

2-3 MICOM IIC BUS LINE -UP



MENO

3. Specifications

Broadcasting System	NTSC
Scanning System	Progressive Scanning
Tuning Range	VHF : CH2 ~ CH13 UHF : CH14 ~ CH69 Cable : CH1, CH14 ~ 125
Antenna Impedance	75 ohm Unbalanced
Intermediate Frequency	Video : 45.75 MHz Sound : 42.25 MHz Chrominance Subcarrier : 42.17 MHz
Sound Output	STD : 10W FULL MAX : 15W
Rated Voltage	120V / 60 Hz
W/B Coordinates	Hx : 290 Hy : 278 Y : 8.0 Lx : 290 Ly : 278 Y : 0.2
High Voltage	29KV
FUSE	250V/6.3A CODE NO : 3601-000300
Power Consumption	230W

MENO

4. Alignment and Adjustments

4-1 When entering the service mode:

1. Turn on the TV, and then select "STANDARD" on the picture adjustment mode.
2. Turn off the TV (STAND-BY).
3. Enter the service mode by pressing the remote control keys in the following sequence :
MUTE 1→8→2→Power On

Note : If necessary, re-do steps 1~3.

Initial display when the service mode is switched.

1. When a RF signal is received

SERVICE MODE NORMAL
GEOMETRICS
PICTURE
SOUND
PIP
OPTION
READ
RESET

2. When a DTV signal is received

SERVICE MODE 1080i/480P
GEOMETRICS
PICTURE
SOUND
PIP
OPTION
READ
RESET

3. Service Mode Control Keys

MAIN MENU	MENU DISPLAY
CH UP/DOWN	Select item by moving cursor
VOL UP/DOWN	Decrease or increase the adjustment values

< PRECAUTIONS >

1. When EEPROM IC (IC902) is replaced, first connect the power cord and wait for about 4~5 seconds.
2. After replacing EEPROM IC (IC902), enter the Service mode. Next, enter the standard data or the previous EEPROM IC data before replacement. And then check and adjust any items related to Geometric, Picture, Option.

4-2 Factory Data

4-2-1 NORMAL

GEOMETRIC

Item	FUNCTION	RANGE	INITIAL DATA	Performance of adjustment	EEP-ROM COPY DATA		
					54"	62"	47"/55"/65"
VS	V-Shift	0~255	110	Variable	100	100	100
VA	V-Size	0~255	120	Variable	120	120	120
VL	V-Line	0~255	120	x	120	120	120
VSC	V-S-CORR	0~255	128	x	128	128	128
VE	V-EHT	0~255	0	x	0	0	0
HA	H-Size	0~255	84	Variable	80	80	80
PPH	PIN-PHS	0~255	128	x	128	128	128
PAM	PIN-AMP	0~255	70	x	70	70	70
UPC	UP-CORR	0~255	128	x	128	128	128
LOC	LO-CORR	0~255	128	x	128	128	128
HEH	H-EHT	0~255	0	x	0	0	0
HS	H-Shift	0~127	90	Fix	90	90	90
VAN	V-Angle	0~255	128	x	128	128	128
VBO	V-Bow	0~255	128	x	128	128	128
HSP	H-Sync-PH	0~255	138	x	138	138	138
OFS	Offset	0~1	0	x	0	0	0
VSO	VS-Offset	0~125	57	Variable	57	0	0
VAO	VA-Offset	0~125	70	Variable	70	40	40
VLO	VL-Offset	0~125	0	Variable	0	0	0

Set after changing the option for 1080i-mode factory-scan (OFS 0->1)
*Only DTV 1080i Mode

 **PICTURE**

Item	FUNCTION	RANGE	INITIAL DATA	Performance of adjustment	EEP-ROM COPY DATA		
					54"	62"	47"/55"/65"
RDR	R-Drive	0~63	20	Variable	38	38	38
GDR	G-Drive	0~63	20	(Fix)	32	32	32
BDR	B-Drive	0~63	20	Variable	22	22	22
RCT	R-Cut Off	0~63	31	Variable	8	8	8
GCT	G-Cut Off	0~63	31	Variable	20	20	20
BCT	B-Cut Off	0~63	31	Variable	5	5	5
SBT	Sub-BRT	0~63	15	Variable	28	28	28
CON	Sub-CONT	0~15	7	Variable	5	5	5
COL	Sub-Color	0~15	10	X	10/10/10	10/10/10	10/10/10
HUE	Sub-Tint	0~15	5	X	5	5	5
RYR	R-Y AXIS	0~15	2	X	2	2	2
RYB	R-Y AXIS	0~15	13	X	10	10	10
GYR	R-Y AXIS	0~15	12	X	10	10	10
GYB	R-Y AXIS	0~15	9	X	5	5	5
GAM	Gamma	0~15	10	X	12	12	12
SHP	Sub-Sharp	0~3	3	x	3	3	3
SFO	SHP-FO	0~3	2	x	2/2/3	2/2/3	2/2/3
POV	PRE-OVER	0~3	3	x	3/1/0	3/1/0	3/1/0
LTI	LUMINANCE	0~3	1	x	1	1	1
VML	VM-LBL	0~3	2	x	2/2/2	2/2/2	2/2/2
VMD	VM-PHASE	0~3	0	x	0/0/0	0/0/0	0/0/0
DCT	DC-TRAN	0~3	2	x	2/3/2	2/3/2	2/3/2
DPI	D-PIC	0~3	2	x	2/2/2	2/2/2	2/2/2
HPF	HPF/BCOF	0~15	6	x	6	6	6
VPF	VPF/HCOF	0~15	6	x	6	6	6
VPG	VAPGAIN	0~7	4	x	4	4	4
VPI	VAPINV	0~31	20	x	20	20	20

 **PICTURE**

Item	FUNCTION	RANGE	INITIAL DATA	Performance of adjustment	EEP-ROM COPY DATA		
					54"	62"	47"/55"/65"
RCO		0~100	100	X	100	100	100
GCO		0~100	100	X	100	65	100
BCO		0~100	20	X	20	20	20
BPO		0~255	160	X	160	160	160
BWD		0~255	61	X	61	61	61

4-2-2 D/TV 1080i


GEOMETRIC

Item	FUNCTION	RANGE	INITIAL DATA	Performance of adjustment	EEP-ROM COPY DATA		
					54"	62"	47"/55"/65"
VS	V-Shift	0~255	210	Variable	130	130	130
VA	V-Size	0~255	50	Variable	80	80	80
VL	V-Line	0~255	128	X	120	120	120
VSC	V-S-CORR	0~255	128	X	128	128	128
VE	V-EHT	0~255	0	X	0	0	0
HA	H-Size	0~255	75	Variable	90	90	90
PPH	PIN-PHS	0~255	128	X	128	128	128
PAM	PIN-AMP	0~255	70	X	70	70	70
UPC	UP-CORR	0~255	128	x	128	128	128
LOC	LO-CORR	0~255	128	x	128	128	128
HEH	H-EHT	0~255	0	x	0	0	0
HS	H-Shift	0~127	68	x	68	68	68
VAN	V-Angle	0~255	128	x	128	128	128
VBO	V-Bow	0~255	128	x	128	128	128
HSP	H-Sync-PH	0~255	138	x	138	138	138
OFS	Off set	0~1	0	x	0	0	0
VSO	VS-Offset	0~255	57	Variable	57	85	0
VAO	VA-Offset	0~255	70	Variable	70	95	60
VLO	VL-Offse	0~25	0	Variable	0	0	0
Set after changing the option for 1080i-mode factory-scan (OFS 0->1) *Only DTV 1080i Mode							

4-2-3 D/TV 480P


GEOMETRIC

Item	FUNCTION	RANGE	INITIAL DATA	Performance for adjustment	EEP-ROM COPY DATA		
					54"	62"	47"/55"/65"
VS	V-Shift	0~255	115	Variable	110	110	110
VA	V-Size	0~255	60	Variable	100	100	100
VL	V-Line	0~255	120	X	128	128	128
VSC	V-S-CORR	0~255	128	X	128	128	128
VE	V-EHT	0~255	0	X	0	0	0
HA	H-Size	0~255	70	Variable	82	82	82
PPH	PIN-PHS	0~255	128	X	128	128	128
PAM	PIN-AMP	0~255	70	X	82	82	82
UPC	UP-CORR	0~255	128	x	128	128	128
LOC	LO-CORR	0~255	128	x	128	128	128
HEH	H-EHT	0~255	0	x	0	0	0
HS	H-Shift	0~127	90	Fix	82	82	82
VAN	V-Angle	0~255	128	x	128	128	128
VBO	V-Bow	0~255	128	x	128	128	128
HSP	H-Sync-PH	0~255	138	x	138	138	138
OFS	Off set	0~1	0	x	0	0	0
VSO	VS-Offset	0~255	57	x	57	85	0
VAO	VA-Offset	0~255	70	x	70	95	60
VLO	VL-Offse	0~255	0	x	0	0	0

Set after changing the option for 1080i-mode factory-scan (OFS 0->1)
*Only DTV 1080i Mode



Item	FUNCTION	INITIAL DATA	Performance for adjustment	EEP-ROM COPY DATA		
				54"	62"	47"/55"/65"
CONTRAST	CONTRAST	8	Variable	8	8	8
HUE	HUE	0	Variable	0	0	0
POS-HOR-L	POS-HOR-L	5	Variable	2	2	2
POS-HOR-R	POS-HOR-R	54	Variable	60	60	60
POS-VER-U	POS-VER-U	5	Variable	21	21	21
POS-HOR-D	POS-HOR-D	33	Variable	22	22	22



Item	FUNCTION	INITIAL DATA	Performance for adjustment	EEP-ROM COPY DATA				
				545R	5415R	6215R	4715W	5525W
Byte 0	Option	00	Variable	08	68	68	69	69
Byte 1	Option	00	Variable	00	01	01	01	00
Item	FUNCTION	INITIAL DATA	Performance for adjustment	EEP-ROM COPY DATA				
				552W	5515W	652W	6515W	473W/553W 653W
Byte 0	Option	00	Variable	89	E9	89	E9	09
Byte 1	Option	00	Variable	00	01	00	01	00

Note 1 **SZM-422A OPTION TABLE**

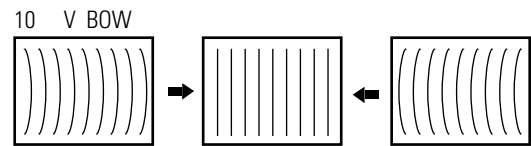
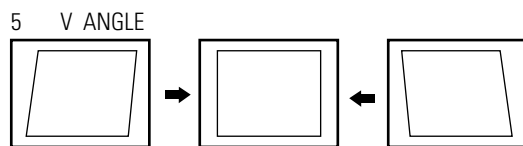
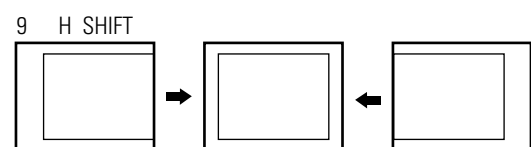
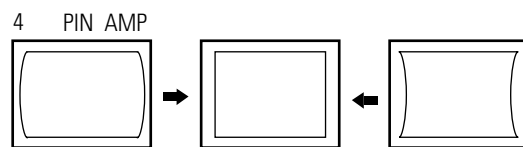
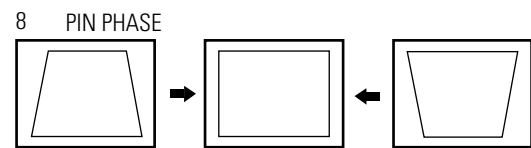
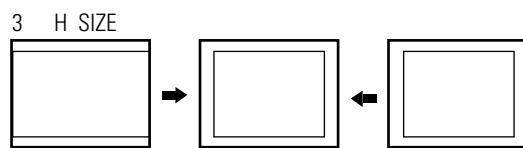
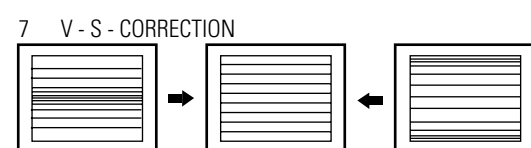
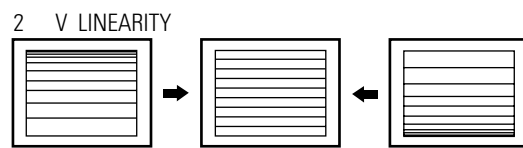
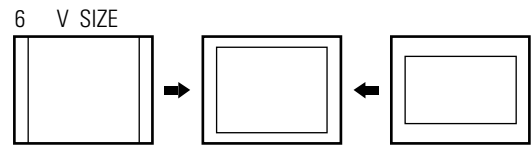
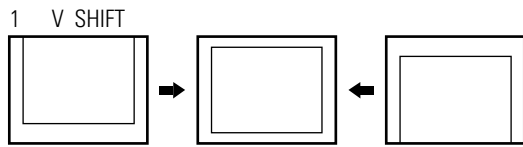
Option adjustments should be done in service mode.

BYTE:00	FUNCTION	FUNCTION		BCD-Code	VALUE
		0	1		
D7	Functional DOOR	X	0	8	
D6	MSP	MSP3452G	MSP3450G	4	
D5	PIP	VPC3230	SDA9488	2	
D4	DOUBLE PIP	0 DOUBLE, LARGE, SMALL	X LARGE, SMALL	1	
D3	AUTO-CONVERGENCE	X	0	8	
D2	AFN	IRC	AFN	4	
D1	—	—	—	2	
D0	WIDE OPTION	4:3	16:9	1	

AFN

BYTE:01	FUNCTION	FUNCTION		BCD-Code	VALUE
		0	1		
D7	—	—	—	8	
D6	Sanyo CRT	0	0	4	
D5	—	—	—	2	
D4	1080i DTV Auto Conv	0	X	1	
D3	DTV 1080i ONLY	X	0	8	
D2	DTV 480P ONLY	X	0	4	
D1	DTV Zoom	X (16 : 9)	0 (4 : 3, 16 : 9)	2	
D0	3D-COMB FILTER	UPD64082	VPC3230 built-in COMB	1	

4-3 Screen Change (When adjusting I²C Bus Geometric items)



4-4 Other Adjustments

4-4-1 Screen Adjustment

1. Warm up the TV for at least 30 minutes.
2. Turn to the Video Mode (No Signal) using a remote-control.
3. Connect an oscilloscope to RK,GK,BK.
4. Adjust the VR (VR501, VR531, VR561) screen so that RK, GK, BK pulse is 20Vp-p each. (Turn the R,G,B VR screen fully counterclockwise in the area of each flyback line.)
5. Select SBT by pressing the Volume +/- keys.
6. Adjust so that the 63 step on the right side of the screen is not seen (Use the Volume +/- keys).
7. Press the Menu key to exit.

4-4-2 White Balance Adjustment

1. Select the "STANDARD" video mode.
2. Input 100% white pattern.
3. In the stand-by mode, press the remote-control keys in the following sequence:
Mute → 1 → 8 → 2 → Power ON
4. Warm up the TV for at least 30 minutes.
5. Input a 10-step signal.
6. R-cut off, B-cut off, and G-cut off by pressing the Volume +/- keys.
7. Adjust the low light with viewing the dark side of the screen.
8. Select R-drive, G-drive, and B-drive by pressing the Volume +/- keys.
9. Adjust the high light with viewing the light side of the screen.
10. If necessary, redo adjustments 6~9.
11. Press the Menu key to exit.

4-4-3 Sub-Brightness Adjustment

1. Input a sub-brightness adjustment signal. (TOSHIBA PATTERN)
2. In the stand-by mode, press the remote-control keys in the following sequence :
Mute - 1 - 8 - 2 - Power ON

4-4-4 High Voltage (29KV) Check

PRECAUTION

1. Input a lion head pattern.
2. Select "STANDARD" video mode.
3. Warm up the TV for at least 10 minutes.
4. Use a 1000:1 probe.

ADJUSTMENT

1. Connect the (+) terminal of the 1000:1 probe to the high voltage distributor and the (-) terminal to GND (located on the deflection board).
2. Adjust RR471S (located on the deflection board) so that the digital meter indicates DC 29KV ± 0.1KV.

4-4-5 F.S. (Fail Safe) Adjustment

Note : The finished product has a well-mounted VR (RR402S).
If necessary, do the F.S. adjustments in the following sequence.

1. Use a digital multimeter.
2. Connect the digital multimeter to the JIG pin (DZ482S) terminals
3. Adjust VR (RR402S) so that the voltage becomes 2.25V.
4. After the adjustments are complete, be sure to mount VR (RR402S) correctly.

4-4-6 F.S. (Fail Safe) Circuit Check

Note : The F.S. Circuit check must be performed after servicing.

1. Turn on the TV.
2. Select the "STANDARD" video mode.
3. Short F/S Test point (located on the SUB PCB). Then, both sound and picture disappear. (Note: Even if the shorted terminals are removed, both sound and picture do not appear. This proves the F.S. circuit is working.)
4. To restore both sound and picture, turn off the TV and reset it after about 30 seconds.

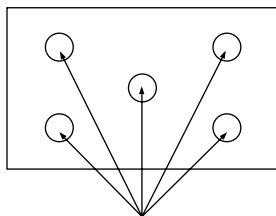
4-4-7 Static Focus Adjustment

PRECAUTION

1. Select the "STANDARD" video mode.
2. Input a crosshatch pattern.
3. Cover the lenses that are not being adjusted.
4. Connect a convergence jig and read data.
5. Adjust the lens for best focus. (See Fig. 4-1, next page)

STATIC FOCUS (CONTINUED)

Vary the focus pack VR (Red, Blue) on the front cabinet. Adjust the TV for best possible focus around the center of the crosshatch pattern, without losing overall screen balance. Figure Crosshatch Pattern
Examine these points together.



Examine these points together

Fig. 4-1 Crosshatch Pattern.

4-4-8 Lens Focus Adjustment

PRECAUTIONS

1. Do this adjustment after the static focus adjustment and the tilt adjustment.
2. Select the "STANDARD" video mode. (Contrast:100, Brightness:50)
3. Input a crosshatch pattern.

ADJUSTMENT

1. Loosen the lens screws.
2. Cover the two lenses that are not being adjusted.
3. Adjust the lens, observing the color aberration vertically and horizontally within 3 blocks of the center of the crosshatch pattern.
4. When the lens is turned clockwise, the color aberration will change as follows:

<u>Lens</u>	<u>Color Aberration Change</u>
R	Orange - Crimson
G	Blue - Red
B	Purple - Green

5. Green lens adjustment:
Set the lens at the point where Blue just changes to Red. If the color aberration is irregular throughout the picture screen, adjust the lens to show Red color aberration (approximately 1~3 mm area) within a 3-block grid around the horizontal center-line. If the color aberration is irregular, adjust the lens as shown in the diagram below. (Accurate alignment of Green is important for overall color quality.)
6. Red lens adjustment
Set the Red lens at the point where Orange becomes Crimson.
7. Blue lens adjustment
Set the Blue lens at the point where Purple becomes Green.

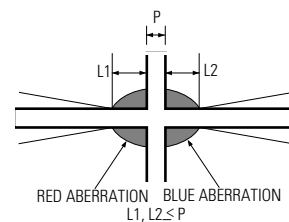


Fig. 4-2 Color Aberration

4-4-9 Horizontal Dynamic Focus Adjustment

PRECAUTION

1. Input a crosshatch pattern.
2. Select the "STANDARD" video mode.
3. Warm up the set for at least 10 minutes.

ADJUSTMENT

1. Cover the Red and Blue lenses.
2. Use a digital multimeter.
3. Connect the '+' terminal of digital multimeter to D-Focus and the '-' terminal to GND.
4. Adjust L434 located on the sub PCB so that the digital multimeter indicates $AC690V \pm 20V_{p-p}$.
5. Balance the left and right sides of the dynamic focus lines.

4-5 High Voltage Part

4-5-1 PWM REG Circuit

For the existing high voltage REG circuit (input voltage variation type), a dynamic REG response is not provided. So it is difficult for both beam linearity and uniformity in screen size to be maintained on the screen with rapidly changing beams.

A PWM (Pulse Width Modulation) type of high voltage, however, provides the maintenance of beam linearity and uniformity in screen size via a quick response to beam change by performing sync lock every 1H line, and detecting beam fluctuation at 1H line, and then controlling the IC current of high voltage output circuit.

1. High Voltage Fluctuation Detect (DC Detect)

FBT pin 11 detects DC high voltage fluctuation. The detected DC high voltage value is input to PWM IC471 pin1 through R473, VR471, R471, and then it is input to a differential AMP circuit that differentiates the gap after comparing with the reference voltage input to pin2.

2. High Voltage Fluctuation Detect (AC Detect)

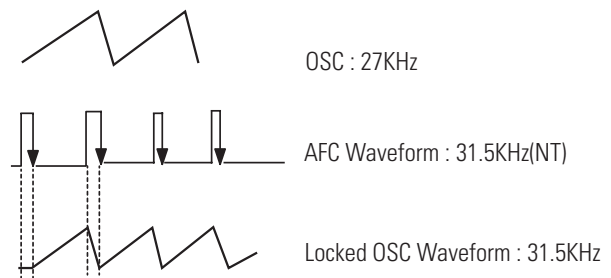
To check AC high voltage fluctuation, the output from FBT is detected by using a capacitor inside the high voltage distributor. The detection of AC high voltage fluctuation, a detection of dynamic beam current change is required in order to keep beam linearity and uniformity in size.

Regarding the capacitor, a capacity of less than 3000P should be applied to a PWM type. (The existing type needs a capacity of about 6000P.) AC detect circuit eliminates unnecessary high frequency by using C476, D472. Also, AC gain is limited to + / - 0.7V (D472). This AC gain is combined with the detection value of DC high voltage fluctuation by using C478.

3. PWM IC OSC Sync Lock

A PWM type IC needs sync lock for PWM pulse and horizontal scan line.

The standard time constant of OSC circuit is determined by C487, R475 (PWM IC pins 5 and 6). And the standard OSC frequency is about 27 kHz. The horizontal frequency of scan line is 31.5kHz(NT), 3375kHz(DTV), 15.75kHz(Interface), so sync lock for this horizontal frequency should be performed using sync lock circuit. The sync lock circuit consists of Q481(Tr KSC815-Y), D479, D478, and C492. The input AFC signal is connected to PWM IC pin 5 through D479 so that it can be negative Trig.

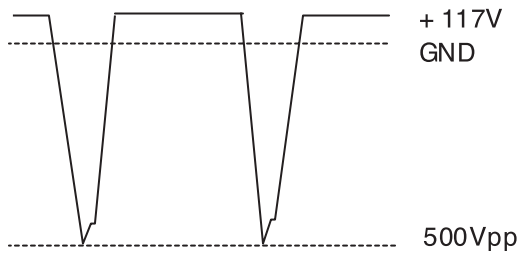


4. Dead Time (HV Protect)

Dead Time (PWM IN pin4) consists of C481, delays high voltage for a certain time to soft start in power on, a x-ray protection circuit. The voltage of Dead Time is detected by FBT pin7 and through DC Feedback. The normal voltage of Dead Time is +27V. When high voltage increases, however, detected voltage is in proportion to high voltage. Then, the detected voltage is applied to ICR01S(TL431). If the voltage is over 2.5V (normal:about 2.25V), TL431 turns ON, the base port of QR401S becomes low, and then an emitter current flows. At this time, a high voltage protection point is set. When QR401S turns ON, high voltage is applied to PWM IC pin4 and then muted.

5. Output Circuit

The voltages, which are detected form an error detection circuit of PWM IC (Differential AMP) and Dead Time, each is applied to PWM comparator . Due to these detection coltages, Q1, Q2 (Output TR) parallel operate. Q482 (External TR), however, functions as a buffer; natches impedance between the output port of PWM IC and the final output TR(IRFS640). The PWM pulse (applied to the final output FET (IRFS640 GATE) varies the IC current of high voltage TR(Q473) by adjusting the load impedance of starge Trans (T431). Due to this variation of current, the gain for Q473 emitter pulse changes T444(FBT)makes this emitter pulse became high voltage. Such change keeps both dynamic and static changes fixed. The output waveform of high voltage TR emitter is as shown in the figure below.



6. Parameters according to beam

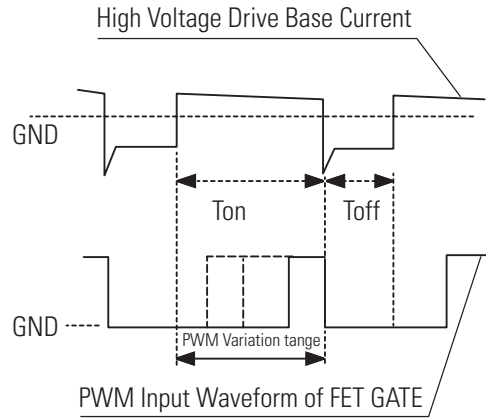
To maintain the set high voltage value (31kV), parmaters such as +Ve (DC), Vcp High Voltage change (See the table below).

Factor of high voltage change	Parameters			
	Width of FET Gate Pulse	+ Ve (DC)	Vcp	High Voltage
Beam ↓ (High voltage ↑)	↓	↑	↓	↓
Beam ↓ (High voltage ↑)	↑	↓	↑	↑

7. Response Waveform

To reduce unstable high voltage fluctuation, the existing high voltage type REG circuit controls dynamic fluctuation by using C-block capacitor. But, it can't detect actual dynamic fluctuation. Also, its velocity of response to static fluctuation is late because +B power supply changes per

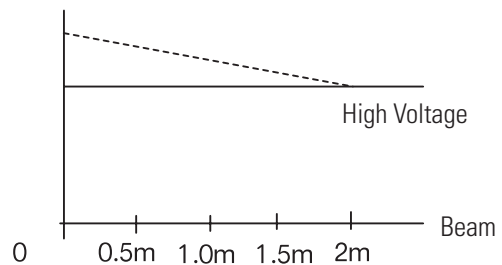
about 1V. A PWM modulation type REG detects static, dynamic high voltage fluctuation for only Ton Time (when the current of the output TR collector flows) each 1H, and modulates the width of PWM pulse. So, this PWM type has better improvement in the characteristic of high voltage REG as compared to the existing type.



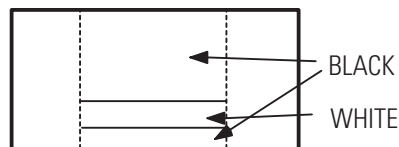
8. Application Effects

- 1) Improvement of horizontal size fluctuation
- 2) Linearity improved
- 3) Embodiment of X-ray protection circuit

The figures below show characteristics when a PWM high voltage REG circuit is applied.



----- High Voltage OFF
 _____ High Voltage REG ON



PWM type



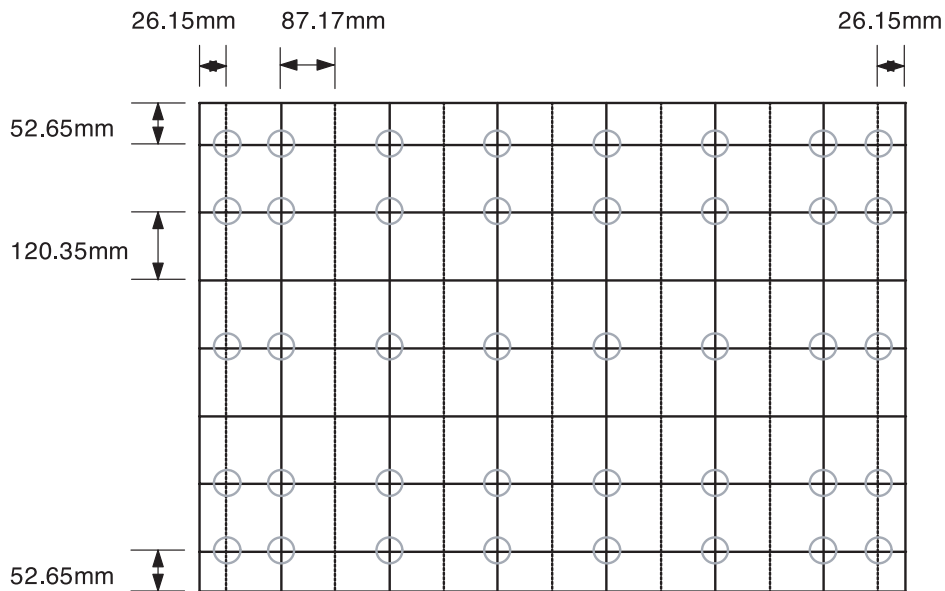
Existing type

When a Toshiba Pattern is recieved, the screen is displayed as shown in figute side

4-6 Screen-Jig

4-6-1 PCL545R/PCL5415R(NORMAL MODE)

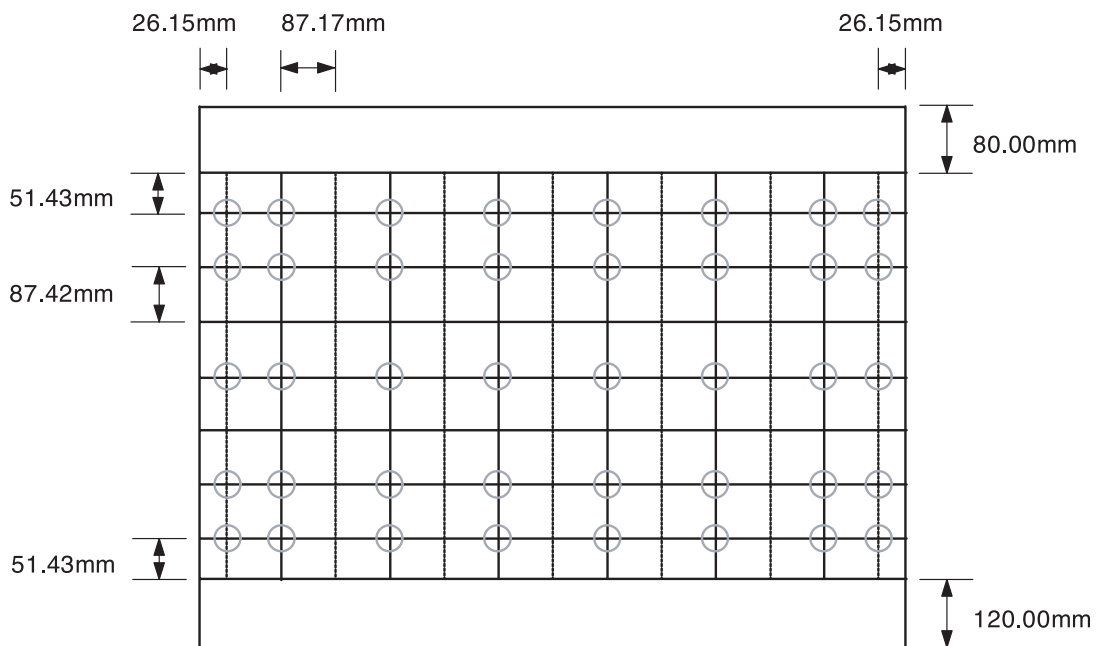
Screen Size : X 1098.4, Y 827.4 (X:378=9*2+ 30*12, Y:440=28*2+ 64*6)



Note: "O" Cursor Point

4-6-2 PCL545R/PCL5415R(DTV MODE)

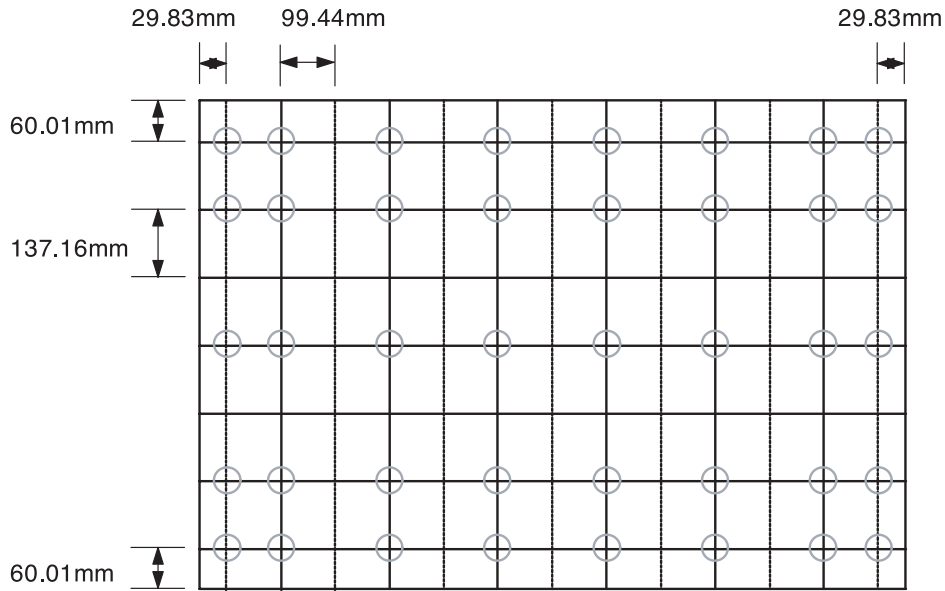
Screen Size : X 1098.4, Y 627.4(X:378=9*2+ 30*12, Y:488=40*2+ 68*6)



Note: "O" Cursor Point

4-6-3 PCL6215R(NORMAL MODE)

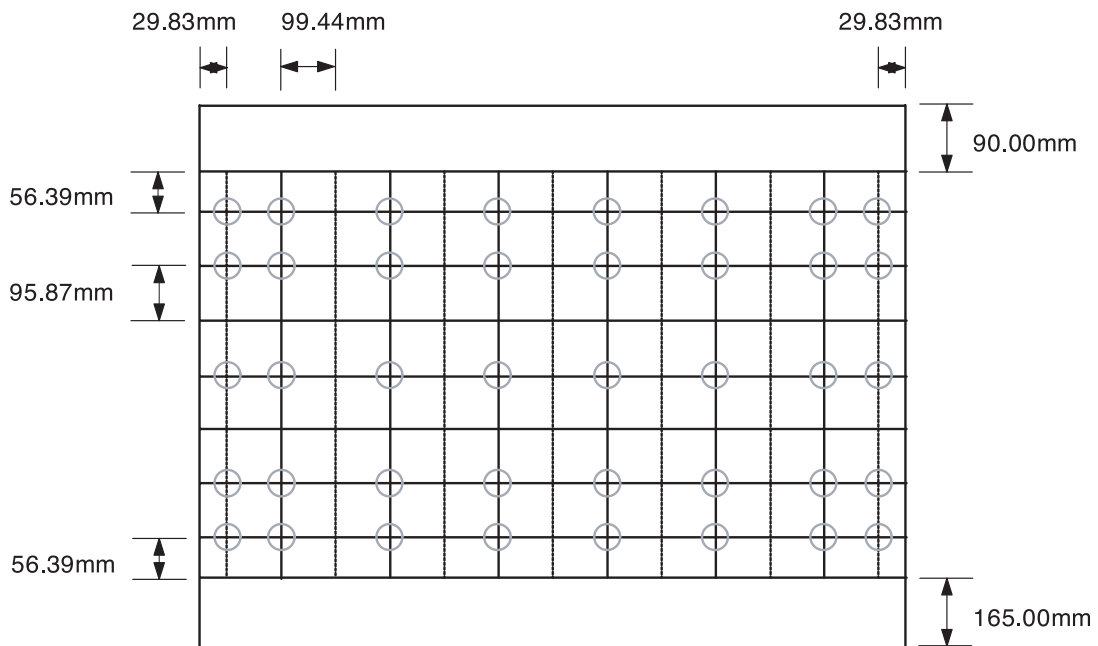
Screen Size : X 1253, Y 943 (X:378=9*2+ 30*12, Y:440=28*2+ 64*6)



Note: "O" Cursor Point

4-6-4 PCL6215R(DTV MODE)

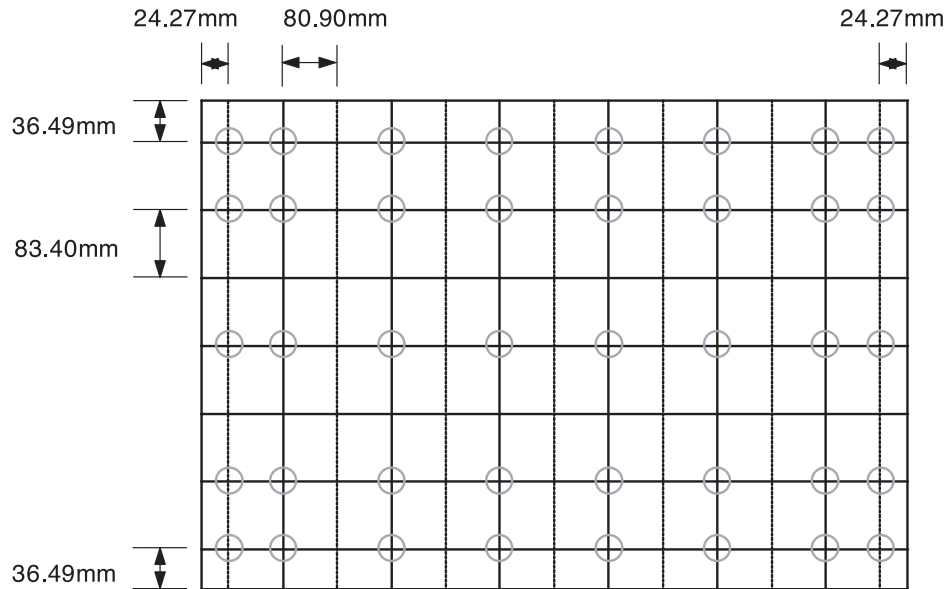
Screen Size : X 1253, Y 688+ 90+ 165(X:378=9*2+ 30*12, Y:488=40*2+ 68*6)



Note: "O" Cursor Point

4-6-5 473W/4715W (NORMAL MODE)

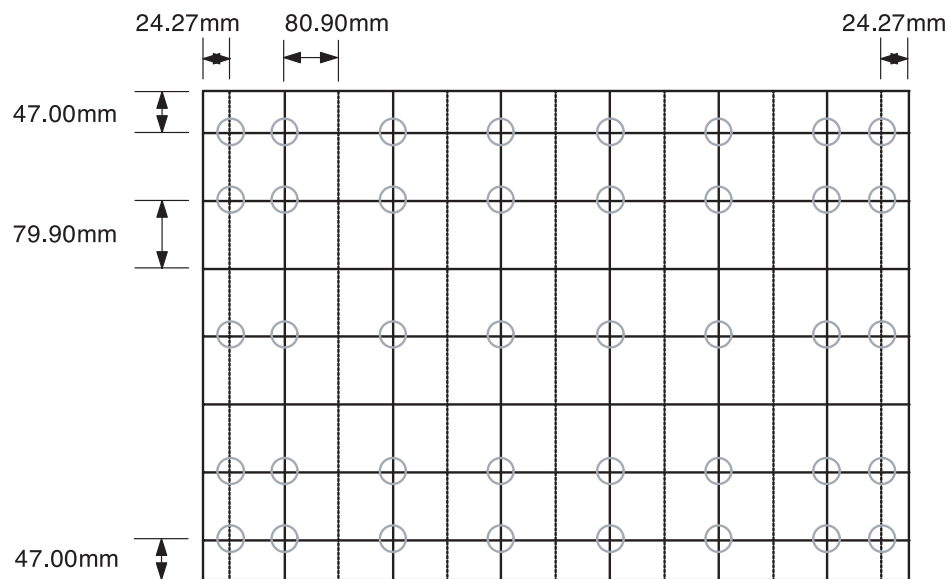
Screen Size : X 1019.4 Y 573.4 (X:378=9*2+ 30*12, Y:440=28*2+ 64*6)



Note: "O" Cursor Point

4-6-6 473W/4715W (DTV MODE)

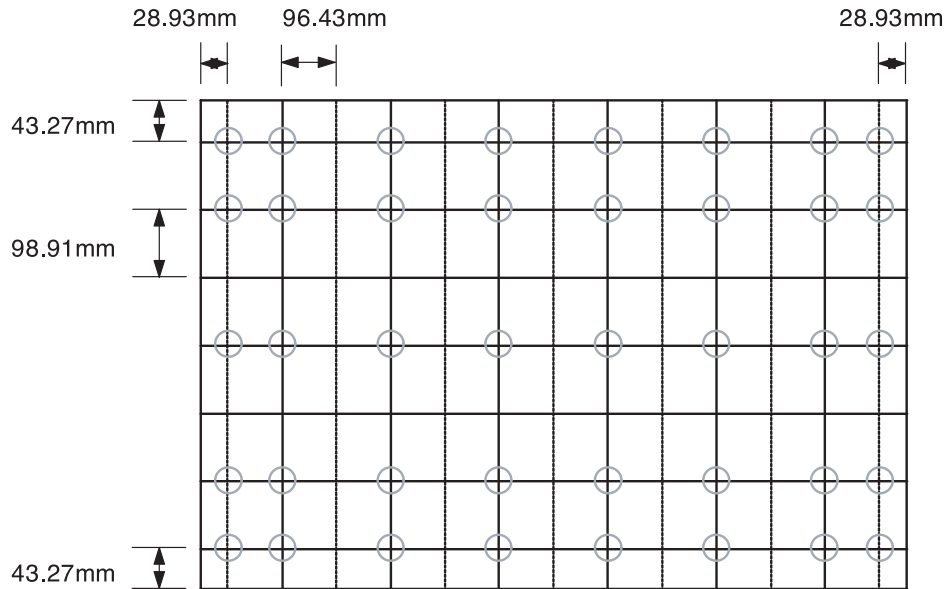
Screen Size : X 1019.4 Y 573.4 (X:378=9*2+ 30*12, Y:488=40*2+ 68*6)



Note: "O" Cursor Point

4-6-7 552W/5515W/5525W/553W(NOMAL MODE)

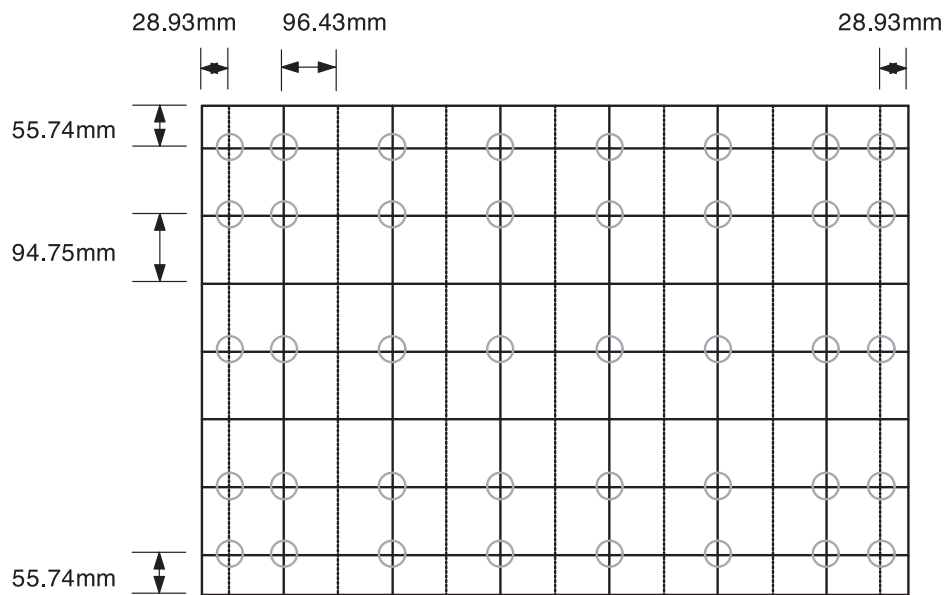
Screen Size : X 1215, Y 680 (X:378=9*2+ 30*12, Y:440=28*2+ 64*6)



Note: "O" Cursor Point

4-6-8 552W/5515W/5525W/553W(DTV MODE)

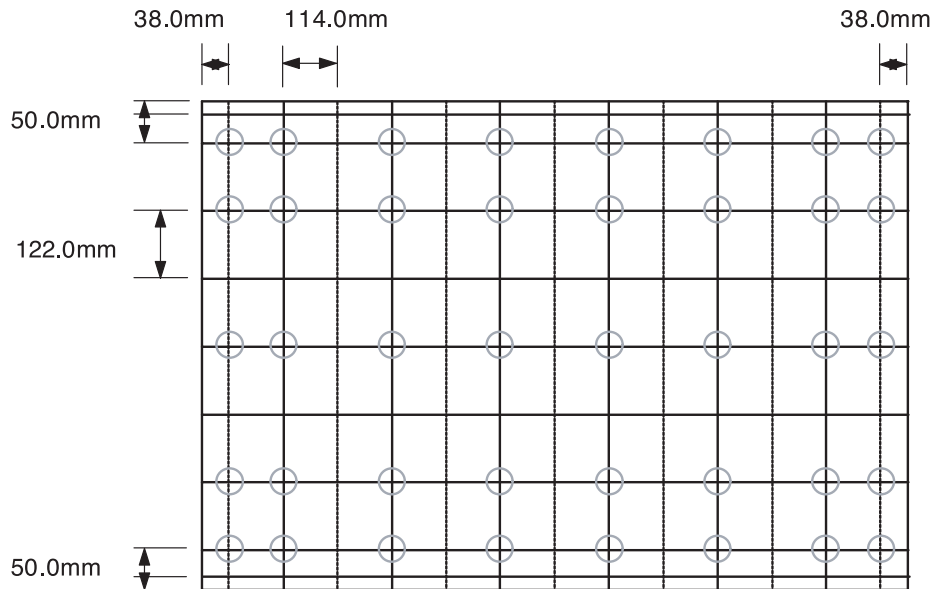
Screen Size : X 1215, Y 680 (X:378=9*2+ 30*12, Y:488=40*2+ 68*6)



Note: "O" Cursor Point

4-6-9 652W/653W/6515R(NORMAL MODE)

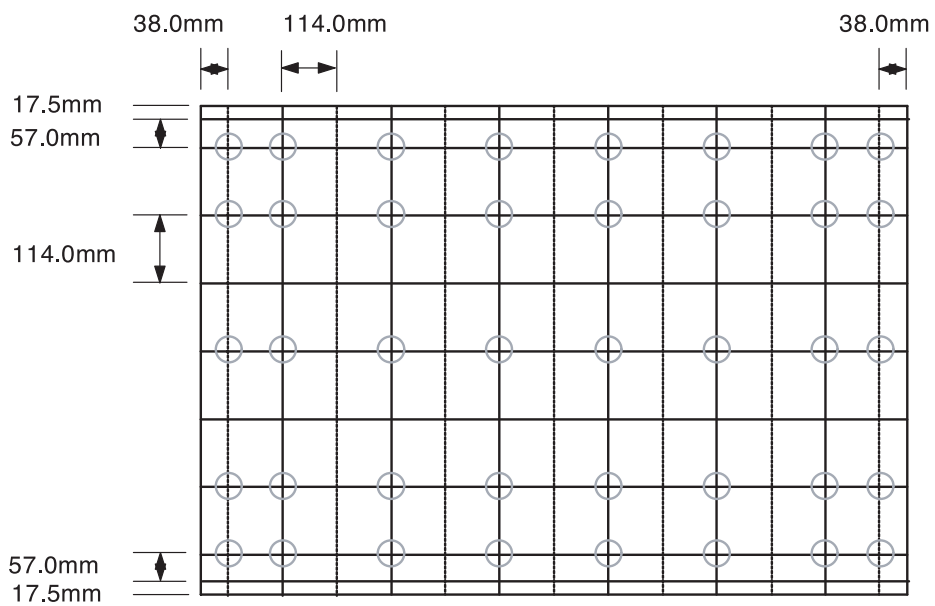
Screen Size : X 1444, Y 832 (X:378=9*2+ 30*12, Y:440=28*2+ 64*6)



Note: "O" Cursor Point

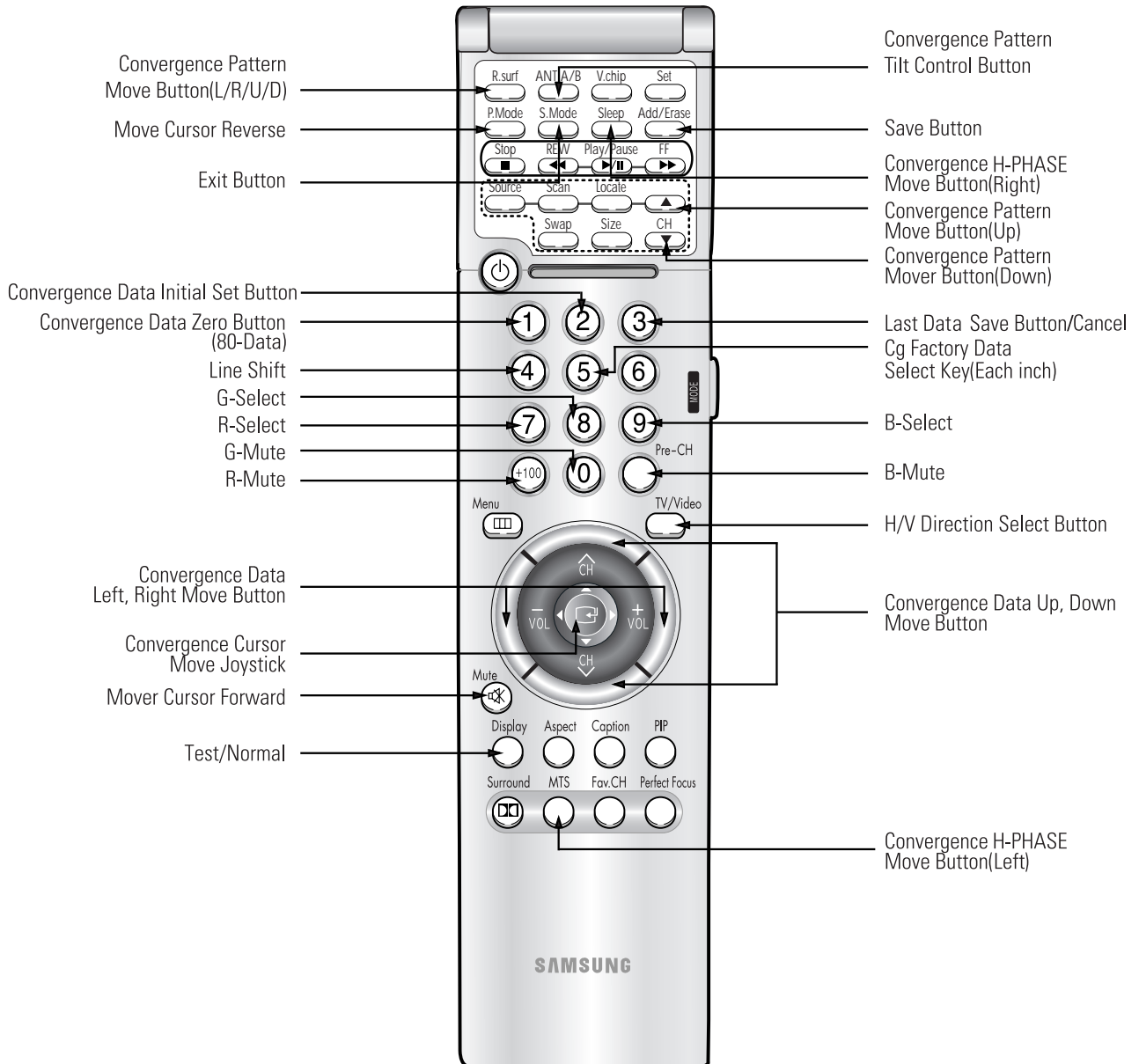
4-6-10 652W/653W/6515R(DTV MODE)

Screen Size : X 1444, Y 832 (X:378=9*2+ 30*12, Y:488=40*2+ 68*6)

















Note: "O" Cursor Point


4-7 Remote Control for Servicing (Convergence Mode)



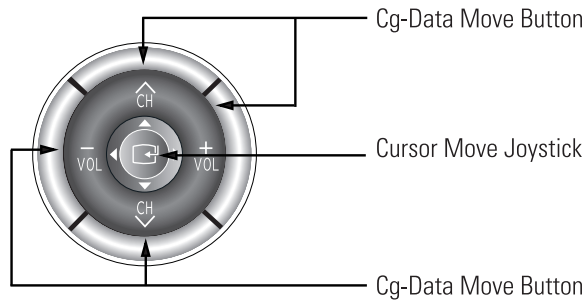
4-7-1 KEY Function

1. R-SELECT 
 Press to select RED color.
2. G-SELECT 
 Press to select GREEN color.
3. B-SELECT 
 Press to select BLUE color.
4. R-MUTE 
 Press to mute RED color.
5. G-MUTE 
 Press to mute GREEN color.
6. B-MUTE 
 Press to mute BLUE color.
7. CANCEL KEY 
 Press to revert to the previous data during the Convergence Adjustment.
8. TEST/NORMAL 
 Press to check TV mode in the Convergence Mode.
9. LINE SHIFT 
 Press to move a line up/down or left/right.
10. FACTORY DATA SELECT BUTTON 
 Press to call the factory default values.
11. H/V DIRECTION SELECT BUTTON 
 Press to switch the cursor direction horizontally or vertically.
12. SAVE BUTTON 
 After the Convergence Adjustments are completed, press to save data.
13. EXIT BUTTON 
 After the Convergence adjustments are completed, press to exit to TV mode.

14. MOVE CURSOR FORWARD 
 Press to move the cursor right or down.

15. MOVE CURSOR REVERSE 
 Press to move the cursor left or up.

16. CONVERGENCE PICTURE MOVE BUTTON



17. CONVERGENCE MOVE BUTTON
 Press to move the convergence left () or right ().

18. CONVERGENCE DATA ZERO BUTTON ①
 Press to zero the convergence correction data.

19. INITIAL DATA SET BUTTON ②

Changes when applying Almighty-Cg. Module (How to extract the basic Cg Data)

Inch (Type)	Model Name	Basic Data	Screen Display	Discription
	Representative Model	Number after entering the Cg-Mode		
54" (54J9)	PCL545R/ PCL5415R	5-545 (Press in regular order)	+++++	White Cross on the background (white cross)
62" (62J9)	PCL6215R	5-625 (Press in regular order)	+++++	
55" (552W)	HCL552W/ 5515W	5-552 (Press in regular order)	○○○○○	White Oval on the background (white border)
65" (652W)	HCL652W/ 6515W	5-652 (Press in regular order)	○○○○○	White Oval on the background (white border)
47" (472W) (473W)	HCL472W/ 4715W	5-473 (Press in regular order)	□□□□	White Square on the backgrand (white border)
65"(653W)	HCM653W	5-653 (Press in regular order)	□□□□□	White Square on the backgrand (white border)
55"(553W)	HCM5525W/ 553W	5-553 (Press in regular order)	□□□□□	White Square on the backgrand (white border)

20. Move Convergence Pattern P54A Service Manual 

After pressing the R.surf button, use the Channel Up/Down and Volume +/- buttons to move the Convergence Pattern up/down/left/right.

21. Convergence Pattern Tilt Control Button 

After pressing the ANT A/B button, use the Channel Up/Down and Volume +/- buttons to create a tilt to the Convergence Pattern.



Note : Use the following two buttons only when they are indispensable.

4-8 Convergence Adjustment

4-8-1 Convergence Adjustment)



Special Notes

- / A sensor is attached on the center of each side of the Convergence Mode pattern (see figure below). The sensors are required for normal Perfect Focus function.
- / Use a screen jig to do the convergence adjustments correctly (Especially, perform correct convergence adjustments on the center of each side where a sensor is located.)
- / Do the convergence adjustments correctly. Otherwise, any Perfect Focus error can happen.


1. Warm up the TV for a least 30 minutes.
2. Input an NTSC Signal.(Use an antenna or AV source.)

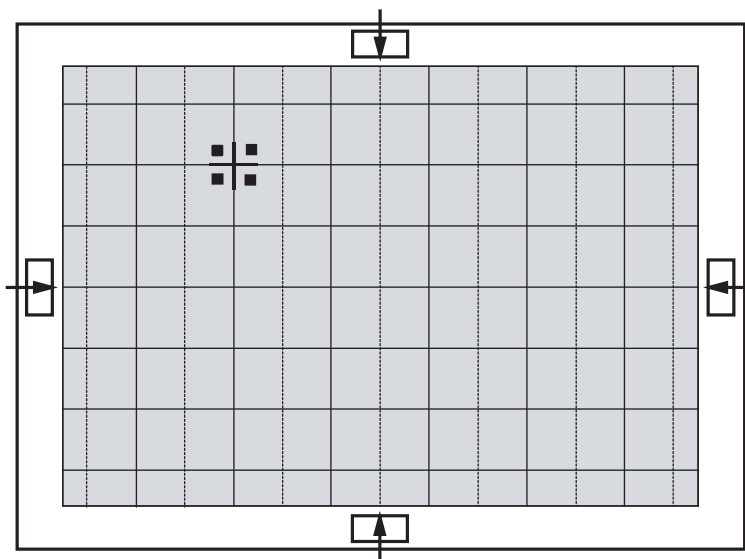





Make sure that deflection yoke are properly adjusted so that the center of Green, Red, Blue pattern is aligned on the center of screen jig.

3. Enter the Convergence Mode by Pressing the remote control keys in the following sequence:




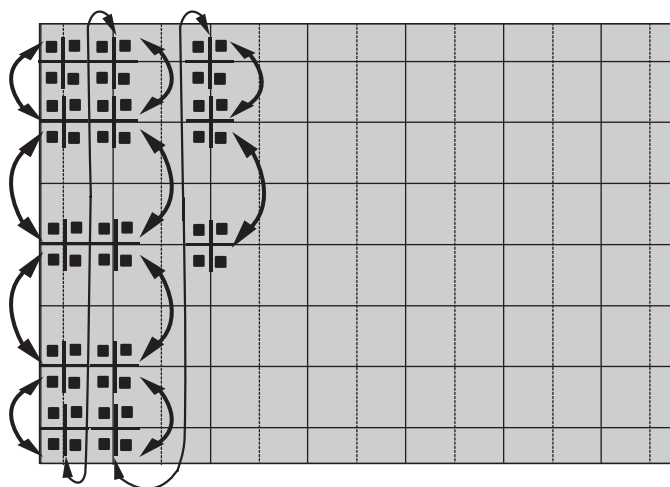
If OSD displayed as shown in figure below, press the  key to exit. Then, redo step 3 to enter the Convergence Mode. After entering the Convergence Mode, Stand by for about five seconds before doing the adjustments.






4. To adjust GREEN, first press the  and the  keys, and then press the  key.

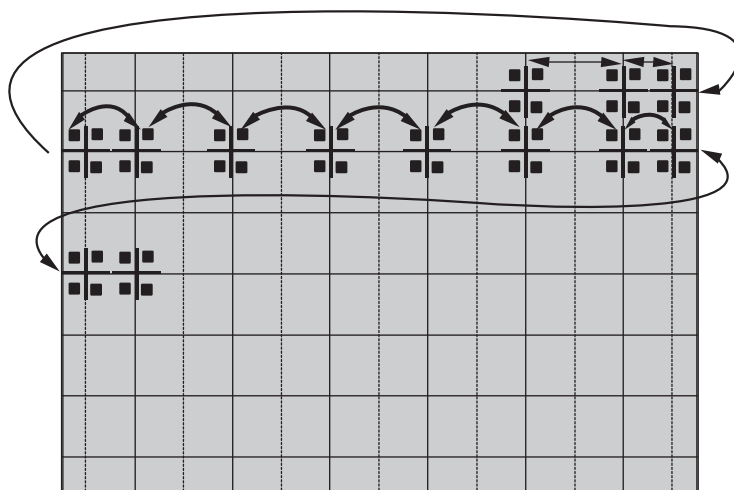


5. The  key moves the cursor horizontally or vertically.

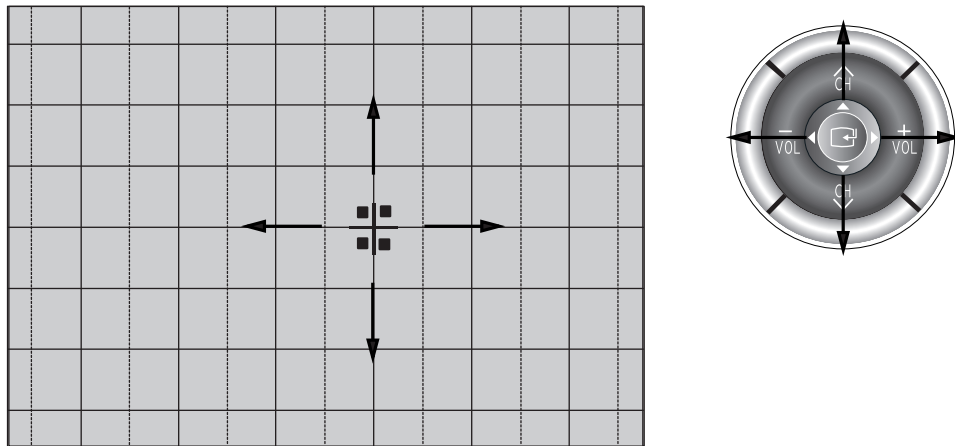


When the  key is pressed once again, the cursor moves horizontally.

6. The  key moves the cursor right, and the  key moves the cursor left.

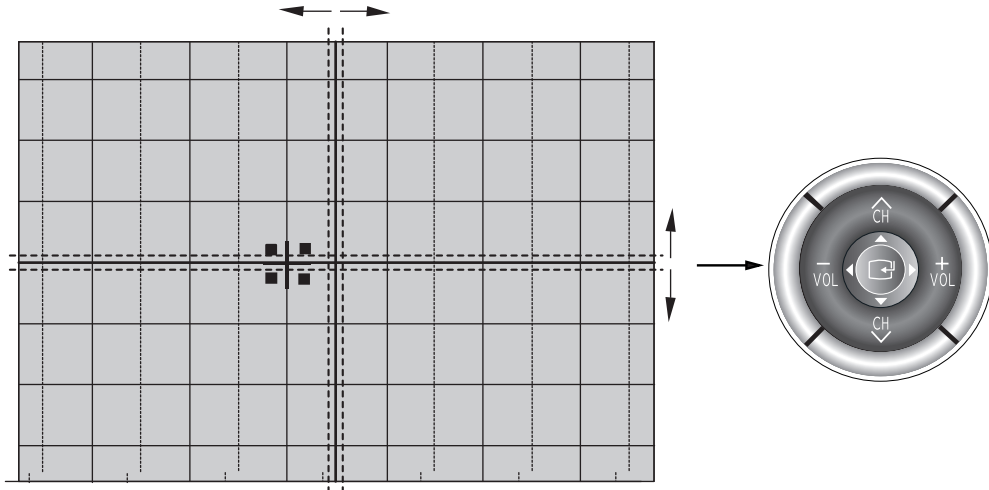


7. New Adjustment

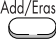




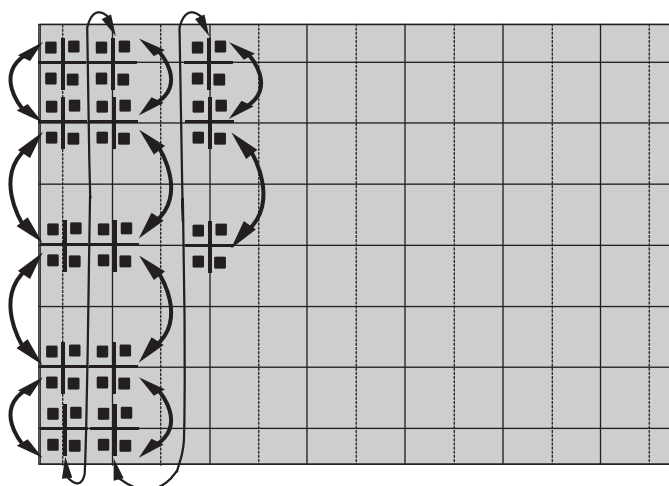
Use the joystick on the remote control (type: TM63) to move the cursor. Move the joystick left/right/up/down to move the cursor left/right/up/down.

8. Use the ④ key for overall balance.






9. After the Line Shift is cancelled by pressing the ④ key, use the Channel and Volume keys (Up/Down) to make big adjustments.

10. After the green convergence adjustments are completed, press the  key to save the data.
11. Superimpose the Red and Green colors by pressing the  and the  keys.
12. To adjust RED, redo steps 5~8.



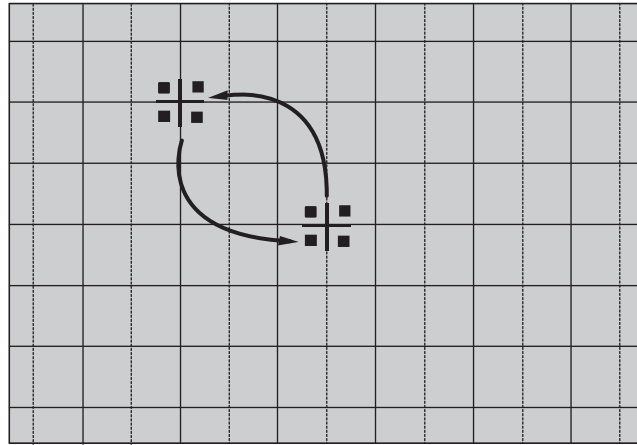
When the cursor moves vertically 

13. To superimpose the blue and green colors, press (1) the  key for R-Mute, (2) the  key to cancel the B-Mute, and (3) the  key for B-select.
14. To adjust BLUE, redo steps 5 ~ 8, 12.
15. If any color is not properly adjusted when displaying the red, blue and green colors, readjust the color.

16. After the color adjustments are completed, press the ^{Add/Erase} () key to save the data.

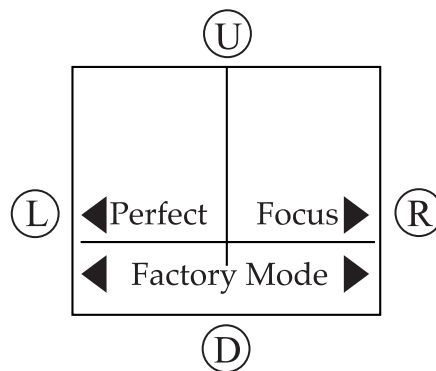
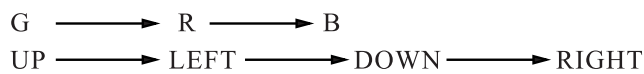


The cursor moves to center, and then automatically moves up and to the left about five seconds later.



4-8-2 Perfect Focus (Factory Mode)


1. After the adjustment is completely saved, press the Perfect Focus key to perform Auto Convergence(Factory Mode). Auto Convergence is performed in the following sequences:



When Auto Convergence is complete, the data is automatically saved and the convergence pattern reverts.



- ◆ After Factory Auto Convergence is complete, make sure that the cursor flickers for about 1 second on the center and then it is saved.
- ◆ Check the presence of error through the flicker of the cursor.
- ◆ When any error happens, be sure to re-do Factory Auto Convergence.
- ◆ When Convergence Adjustment is not normally done or the convergence center is misaligned with the sensing point, any adjustment error happens. Therefore, be sure to use a screen jig to correctly adjust during troubleshooting.

- 2 . After the Convergence Adjustments are completed, press the  key to exit.
- 3 . DTV Convergence Adjustment must be done same as the above Normal Mode Convergence Adjustment (Use a 16:9 screen jig for DTV)
- 4 . After DTV Convergence Adjustment is complete, do the following items for normal operation of Perfect Focus.
 - ① Select a DTV mode (Pattern: Lion Head Pattern)
 - ② Enter the Factory Mode to change OFS 0 → 1
 - ③ Move the mode geometrically in V-Size increased.
 - ④ Adjust VSO/VAO/VLO to change the value of V-Size/V-Shift offset.
(Vertical Size: 2.5~2:2.5~2/Horizontal Size: 5:5)
 - ⑤ Re-change the OFS after all the adjustments are complete.
(OFS 1 → 0)
 - ⑥ Exit the Factory Mode.
 - ⑦ Enter the Convergence Adjustment Mode.
 - ⑧ Press the Perfect Focus key.
(OSD: "Factory Mode")
 - ⑨ If nothing is abnormal, then exit from the Convergence Adjustment Mode.
 - ⑩ Re-do Perfect Focus in User Mode.
(OSD: "Mode ON")
 - ⑪ If no error happens, complete Perfect Focus.

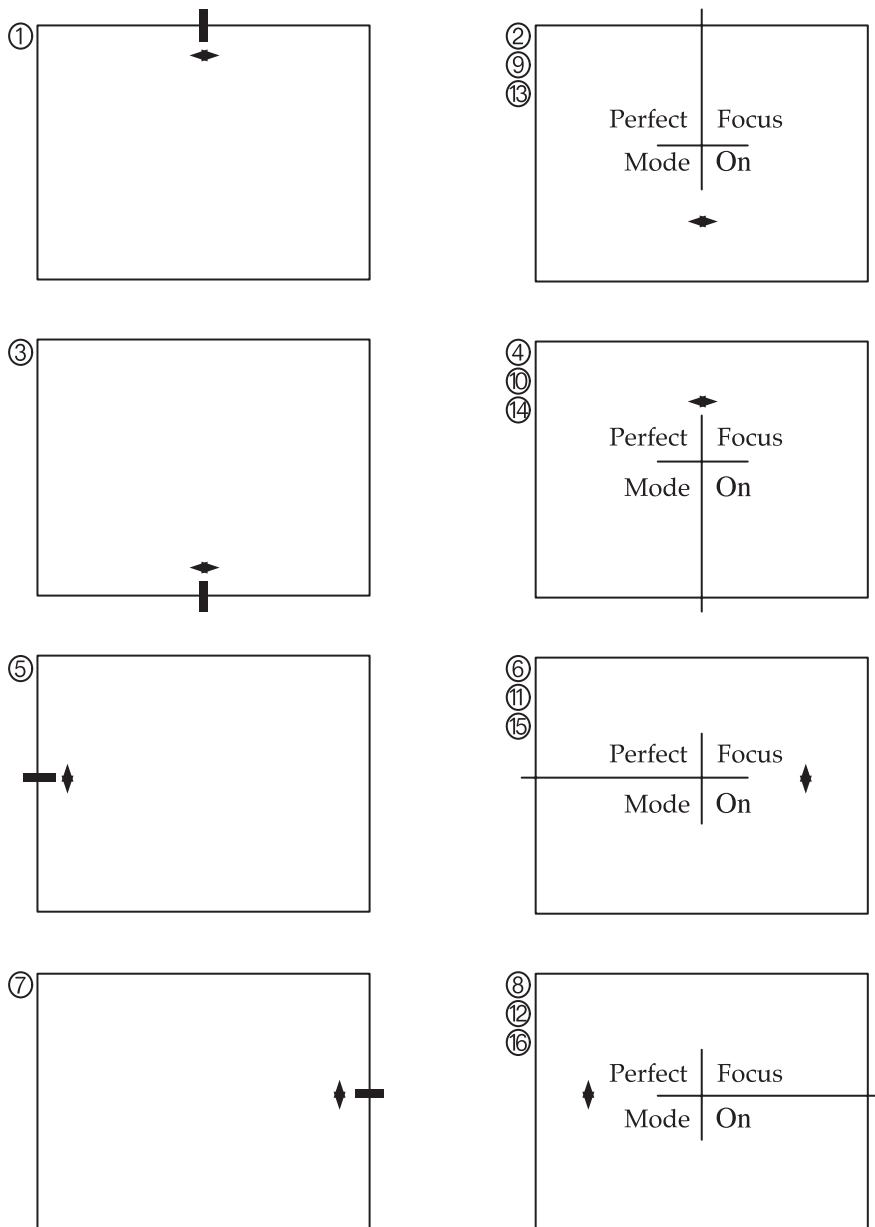


When Convergence Adjustment is not normally done or the convergence center is misaligned with the sensing point, any adjustment error happens. Therefore, be sure to use a screen jig to correctly adjust during troubleshooting.

4-8-3 Perfect Focus (User Mode)

1. Press the Perfect Focus button on the remote control or select Convergence from the menu.
2. Press the Menu button to exit (Available in only User mode).

◆ Note : After adjustments 1~16 for each of R,G,B are complete, if the cursor flickers for a while at the center of screen while the figure of adjustment 8 is displayed, it means normal operation of Perfect Focus has been complete.



4-8-4 In / Out Voltage For Each Pin

	VCC	GND	CONVST	SCL	SDA	SIGNAL IN/OUT
MAX	+5V	0V	+5V	+5V	+5V	+5V
MIN	+5V	0V	0V	0V	0V	0V

4-8-5 Communication With Main Micom

D3	D2	D1	MODE	DIRECTION
0	1	0	AUTO Megnetic Field Standby Mode	MAIN → Cg
1	1	1	AUTO Megnetic Field Mode	MAIN → Cg
0	0	N/A	AUTO Megnetic Field Ends	Cg → MAIN
0	1	N/A	R DISPLAY	Cg → MAIN
1	0	N/A	B DISPLAY	Cg → MAIN
1	1	N/A	G DISPLAY	Cg → MAIN
N/A	N/A	0	AUTO Megnetic Field End Key In Entered	MAIN → Cg

◆ **NOTE : Main Micom operates within 50ms after a command is transmitted from Cg Micom.**

4-9 MICOM and Pins Voltage

4-9-1 Pin Layout(Progressive)

POWER	1	Z 9 0 3 7 1 1 6 P S C	52	D2
IR-IN	2		51	POWER2/1080i
V-MUTE	3		50	BUS-STOP
2RF-S	4		49	HOLD
S-CONT0	5		48	RXD
S-CONT1	6		47	V-TXD
DVD-IDENT	7		46	TIMER-LED
DTV-IDENT	8		45	S/W-MUTE
PROTECT	9		44	D1
1H-SYNC	10		43	AMP-MUTE
IND1	11		42	MODE SEL
IND2	12		41	S-RESET
CVBS	13		40	XTAL GND
LOOP FILTER	14		39	VCC
ANALOG GND	15		38	GND
SUB-AFT	16		37	XTAL2
KEY1	17		36	XTAL1
MAIN-AFT	18		35	/RESET
KEY2	19		34	N.C
KEY3	20		33	N.C
ANALOG GND	21		32	D3
ANALOG VCC	22		31	SCL-1
HALF TONE	23		30	SDA-1
OSD B	24		29	VSYNC
OSD G	25		28	HSYNC
OSD R	26		27	BLANK

4-9-2 MICOM Pins(Progressive)

PIN NO.	ITEM	FUNCTION	OUT VOLT
1	POWER	POWER ON/OFF RELAY CONTROL	L --> H
2	IR IN	REMOCON INPUT	5V
3	V-MUTE	VIDEO SIGNAL MUTE	3V
4	2RF-S	2RF-SWITCHING	5V
5	S-CONTO	SOUND MODE SELECT	5V
6	S-CONT1	SOUND MODE SELECT	5V
7	DVD-IDENT	DVD-IDENT	5V
8	DTV-IDENT	DTV-IDENT	-
9	PROTECT	PROTECT PORT	-
10	1H-SYNC	NORMAL H,V-SYNC	3.5V
11	IND1	CLOCK BUS LINE	4.5V
12	IND2	DATA BUS LINE	4.5V
13	CVBS	CVBS	1.7V
14	LOOP FILTER	LOOP FILTER	1.9V
15	ANALOG GND	GND	GND
16	SUB-AFT	SUB AUTO FINE TUNING CONTROL	2.64V
17	KEY 1	KEY SCAN 1	4.84V
18	MAIN-AFT	MAIN TUNER AFT	1.9V
19	KEY 2	KEY SCAN 2	-
20	KEY 3	KEY SCAN 3	-
21	ANALOG GND	GND	-
22	ANALOG VCC	VCC	5V
23	HALF TONE	SIGNAL FOR OSC-FREQUENCY OSD CONTROL	-
24	OSD B	ON SCREEN DISPLAY BLUE OUTPUT	-
25	OSD G	ON SCREEN DISPLAY GREEN OUTPUT	-
26	OSD R	ON SCREEN DISPLAY RED OUTPUT	-

PIN NO.	ITEM	FUNCTION	OUT VOLT
27	BLANK	BLAKING SIGNAL OUTPUT	-
28	HSYNC	HORIZONTAL SYNC INPUT	-
29	VSYNC	VERTICAL SYNC INPUT	-
30	SDA-1	DATA BUS LINE	4.5V
31	SCL-1	CLOCK BUS LINE	4.12V
32	D3	CONVERGENCE D3	-
33	N.C	N.C	-
34	N.C	N.C	-
35	/RESET	RESET	4.74V
36	XTAL1	XTAL 1	1.72V
37	XTAL2	XTAL 2	2.2V
38	GND	GND	-
39	VCC	VCC	5V
40	XTAL GND	GND	-
41	S-RESET	SOUND RESET	-
42	MODE SELECT	DVD MODE SELECT(480i/480p)	5V
43	AMP-MUTE	MAIN AMP MUTE	-
44	D1	CONVERGENCE D1	-
45	S/W-MUTE	SWITCH MUTE (NOT USED)	-
46	TIMER-LED	TIMER LED	4.7V
47	V-TXD	-	4.6V
48	RXD	-	4.6V
49	HOLD	HOLD	4.65V
50	BUS-STOP	I ² C BUS STOP	5V
51	POWER2/1080i	1080i RELAY CONTROL	4.65V
52	D2	CONVERGENCE D2	-

4-9-3 Proscan Module (Progressive)

PIN NO.	ITEM	FUNCTION	OUT VOLT
1	SCP		-
2	EW	EAST WEST OUT	2.2V
3	V-BLK	V-BLANKING	-
4	ABL	ABL INPUT	2.15V
5	AD-	VERTICAL DRIVE(-VOLTAGE)	2.95V
6	AD+	VERTICAL DRIVE(+VOLTAGE)	2.90V
7	H-BLK	H-BLANKING INPUT	-
8	HD	H-DRIVE OUT	1.6V
9	GND	GND	GND
10	PIP-RF		-
11	PIP-C		-
12	PIP-V/Y		-
13	GND	GND	GND
14	CVBS-Y		-
15	CHR	CHROMA	-
16	GND	GND	GND
17	Pr/R	Pr/R INPUT	2.0V
18	Y/G	Y/G INPUT	2.0V
19	Pb/B	Pb/B INPUT	2.0V
20	FB	FAST BLANKING INPUT	0.25V
21	GND	GND	-
22	HC	5V INPUT	-
23	VS1	VS1 INPUT	-
24	GND	GND	-
25	SDA	SERIAL DATA LINE	4.7V
26	SCL	SERIAL CLOCK LINE	4.8V
27	5V	5V	5V
28	27M	OPTION	-
29	GND	GND	GND
30	5V-	5V-	5V-

PIN NO.	ITEM	FUNCTION	OUT VOLT
31	H-OUT	HORIZONTAL-OUT	N.C
32	V-OUT	VERTICAL-OUT	N.C
33	GND	GND GND	
34	R-OUT	R-OUT	-
35	G-OUT	G-OUT	-
36	B-OUT	B-OUT	-
37	GND	GND	GND
38	IK	IK OUT	3.65V
39	GND	SPOT OUT	-
40	GND	GND	GND
41	VM-Y	VM-Y OUT	5.42V
42	YD	N.C	-
43	GND	GND	GND
44	CG-SYND	CG-SYNC INPUT	-
45	CG-B	CG-B INPUT	-
46	CG-G	CG-G INPUT	-
47	CG-R	CG-R INPUT	-
48	GND	GND	GND
49	PC-R	N.C	-
50	PC-G	N.C	-
51	PC-B	N.C	-
52	PC-H	GND	GND
53	PC-V	OSD-R INPUT	-
54	GND	OSD-G INPUT	-
55	OSD-R	OSD-B INPUT	-
56	OSD-G	BLANK(MICOM OUT)	-
57	OSD-B	HALF TONE INPUT	-
58	YS/YM	VIDEO MUTE (V-CHIP ON)	4.72V
59	YS/YM	GND	GND
60	GND	9V	9V

PIN NO.	ITEM	FUNCTION	OUT VOLT
61	9V	D-Pr INPUT	-
62	HD-Pr	D-Y INPUT	-
63	HD-Y	D-Pb INPUT	-
64	HD-Pb	N.C	-

4-9-4 3D/COMB Module

PIN NO.	ITEM	FUNCTION	OUT VOLT
1	VIDEO	MAIN VIDEO INPUT	2.74V
2	GND	GND	GND
3	9V	9V INPUT	9V
4	GND	GND	GND
5	SCL	SERIAL CLOCK LINE	4.1V
6	SDA	SERIAL DATA LINE	4.1V
7	V-3D	COPY GUARD REJECT SIGNAL	3.8V
8	5V	5V INPUT	5V
9	Y-OUT	MAIN Y OUT	-
10	GND	GND	GND
11	C-OUT	MAIN C OUT	-
12	GND	GND	GND

4-9-5 Sound Module

PIN NO.	ITEM	FUNCTION	OUT VOLT
1	GND	GND	GND
2	GND	GND	GND
3	GND	GND	GND
4	S-RESET	SOUND RESET	-
5	MAIN-L	MAIN LEFT OUT	-
6	GND	GND	GND
7	GND	GND	GND
8	5V	5V	5V
9	MAIN-R	MAIN RIGHT OUT	-
10	GND	GND	GND
11	GND	GND	GND
12	GND	GND	GND
13	8V	8V	8V
14	SCL-1	SERIAL CLOCK LINE	-
15	GND	GND	GND
16	SDA-1	SERIAL DATA LINE	-
17	CENTER	CENTER OUT	-
18	GND	GND	GND
19	GND	GNAD	GND
20	12V	12V	12V
21	SURROUND	SURROUND OUT	-
22	GND	GND	GND
23	GND	GND	GND
24	S-F1	S-F1(ANT1)	-
25	GND	GND	GND
26	GND	GND	GND
27	AV4-L-IN	AV4 LEFT INPUT	-
28	A-MONO-IN	A-MONO INPUT	-
29	GND	GND	GND
30	GND	GND	GND

PIN NO.	ITEM	FUNCTION	OUT VOLT
31	AV4-R-IN	AV4 RIGHT INPUT	-
32	S-F2	S-F2(ANT2)	-
33	GND	GND	GND
34	GND	GND	GND
35	GND	GND	GND
36	GND	GND	GND
37	EXT-L-IN	EXTERNAL LEFT INPUT	-
38	H-PHONE-L	HEADPHONE LEFT OUT	-
39	GND	GND	GND
40	GND	GND	GND
41	EXT-R-IN	EXTERNAL RIGHT INPUT	-
42	H-PHONE-R	HEADPHONE RIGHT OUT	-
43	GND	GND	GND
44	GND	GND	GND
45	GND	GND	GND
46	GND	GND	GND
47	AV2-L-IN	AV2 LEFT INPUT	-
48	MONITOR-L	MONITOR OUT	-
49	GND	GND	GND
50	GND	GND	GND
51	AV2-R-IN	AV2 RIGHT INPUT	-
52	MONITOR-R	MONITOR OUT	-
53	GND	GND	GND
54	GND	GND	GND
55	GND	GND	GND
56	GND	GND	GND
57	AV1-L-IN	AV1 LEFT INPUT	-
58	AV1-L-OUT	AV1 LEFT OUTPUT	-
59	GND	GND	GND
60	GND	GND	GND

PIN NO.	ITEM	FUNCTION	OUT VOLT
61	AV1-R-IN	AV1 RIGHT INPUT	-
62	AV1-R-OUT	AV1 RIGHT OUT	-
63	GND	GND	GND
64	GND	GND	GND

4-9-6 Caption Module

PIN NO.	ITEM	FUNCTION	OUT VOLT
1	C-OUT	MAIN C-OUT	-
2	C-IN	MAIN C-IN	-
3	OSD-F/B	OSD-F/B IN	-
4	OSD-B	OSD-B IN	-
5	OSD-G	OSD-G IN	-
6	OSD-R	OSD-R IN	-
7	H-SYNC	H-SYNC	-
8	GND	GND	GND
9	CVBS	CVBS	-
10	5V-D	5V-D	-5V
11	GND	GND	GND
12	SCL	SCL	-
13	SDA	SDA	-
14	GND	GND	GND
15	V-SYNC	V-SYNC	-
16	V-OUT	SUB-BLK/MAIN-Y	-
17	12V	12V	12V
18	GND	GND	GND
19	OSD-F/B	OSD-F/B OUT	-
20	OSD-B	OSD-B OUT	-
21	OSD-G	OSD-G OUT	-
22	OSD-R	OSD-R OUT	-

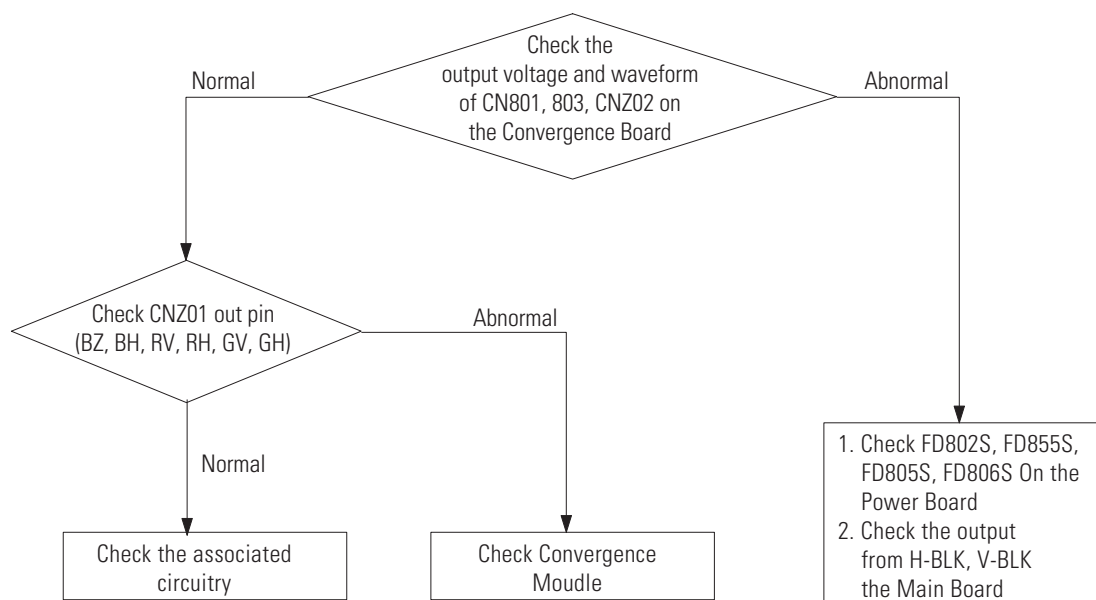
4-8-7 CONV-Module

PIN NO.	ITEM	FUNCTION	OUT VOLT
1	6V	6V	6V
2	GND	GND	GND
3	FOCUS	N.C	-
4	GND	GND	GND
5	D2	SDA	-
6	D1	SCL	-
7	GND	GND	GND
8	C-SYNC	C-SYNC OUT	4.41V
9	R	WHEN TEST PATTERN R OUT	-
10	TEST-Y/G	WHEN TEST PATTERN G OUT	-
11	B	WHEN TEST PATTERN B OUT	-
12	D3	D3/NT-PAL SEL	0.2V
13	CTRL	CTRL	-
14	IR	INPUT REMOCON	3V
15	COMP	COMP VIDEO OUTPUT	-
16	GND	GND	GND
17	GND	GND	GND
18	GND	GND	GND
19	BV	BLUE VERTICAL OUT	-
20	BH	BLUE HORIZONTAL OUT	-
21	GV	GREEN VERTICAL OUT	-
22	GH	GREEN HORIZONTAL OUT	-
23	RV	RED VERTICAL OUT	-
24	RH	RED HORIZONTAL OUT	-
25	GND	GND	GND
26	H-BLK	H-BLANKING OUT	0.52V
27	V-BLK	V-BLANKING OUT	-
28	GND	GND	GND
29	N.C	N.C	-
30	-5.4V	-5.4V	-5.4V

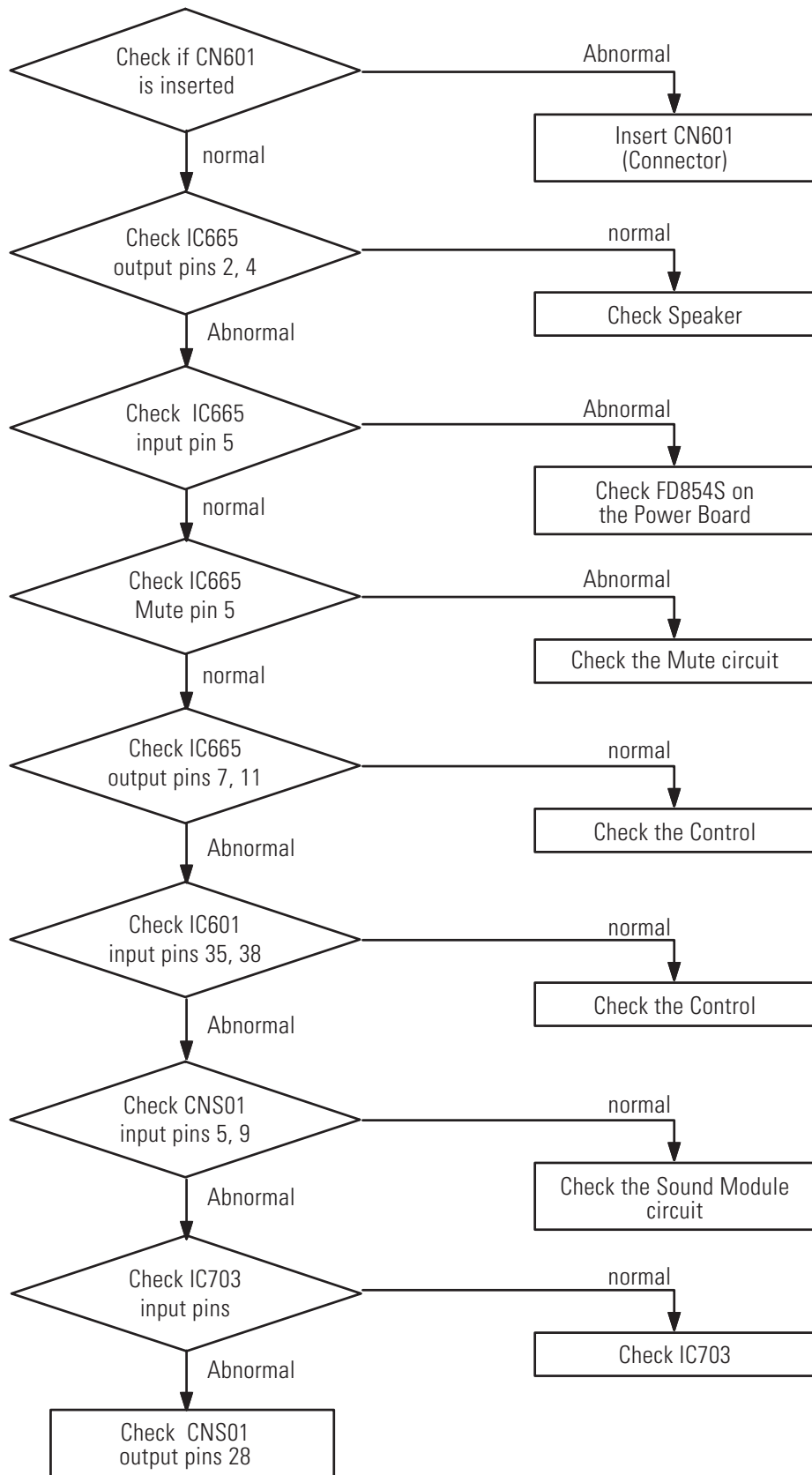
PIN NO.	ITEM	FUNCTION	OUT VOLT
31	5.4V	5.4V	5.4V
32	GND	GND	GND

5. Troubleshooting

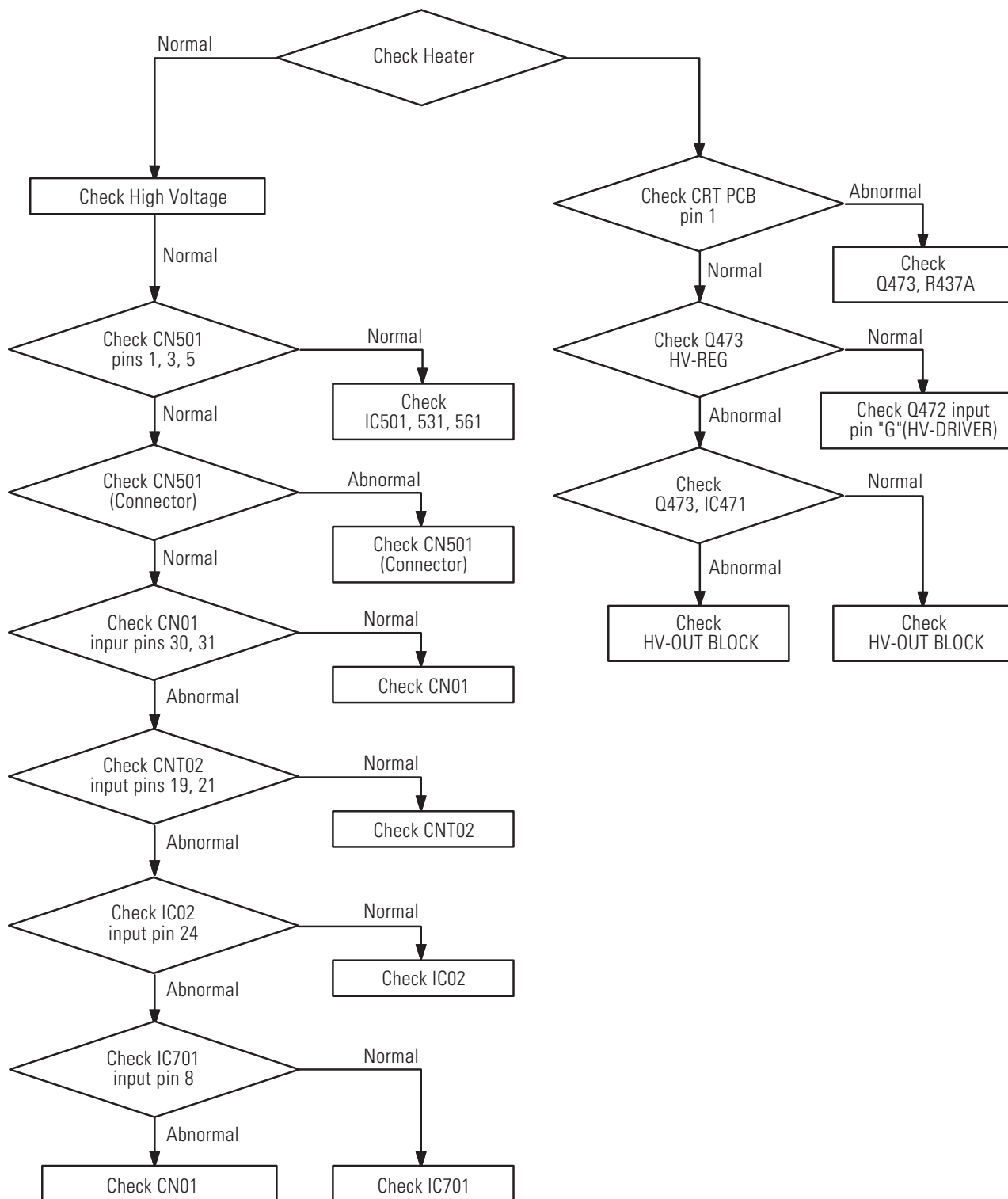
5-1 Convergence Misaligned



5-2 No Sound



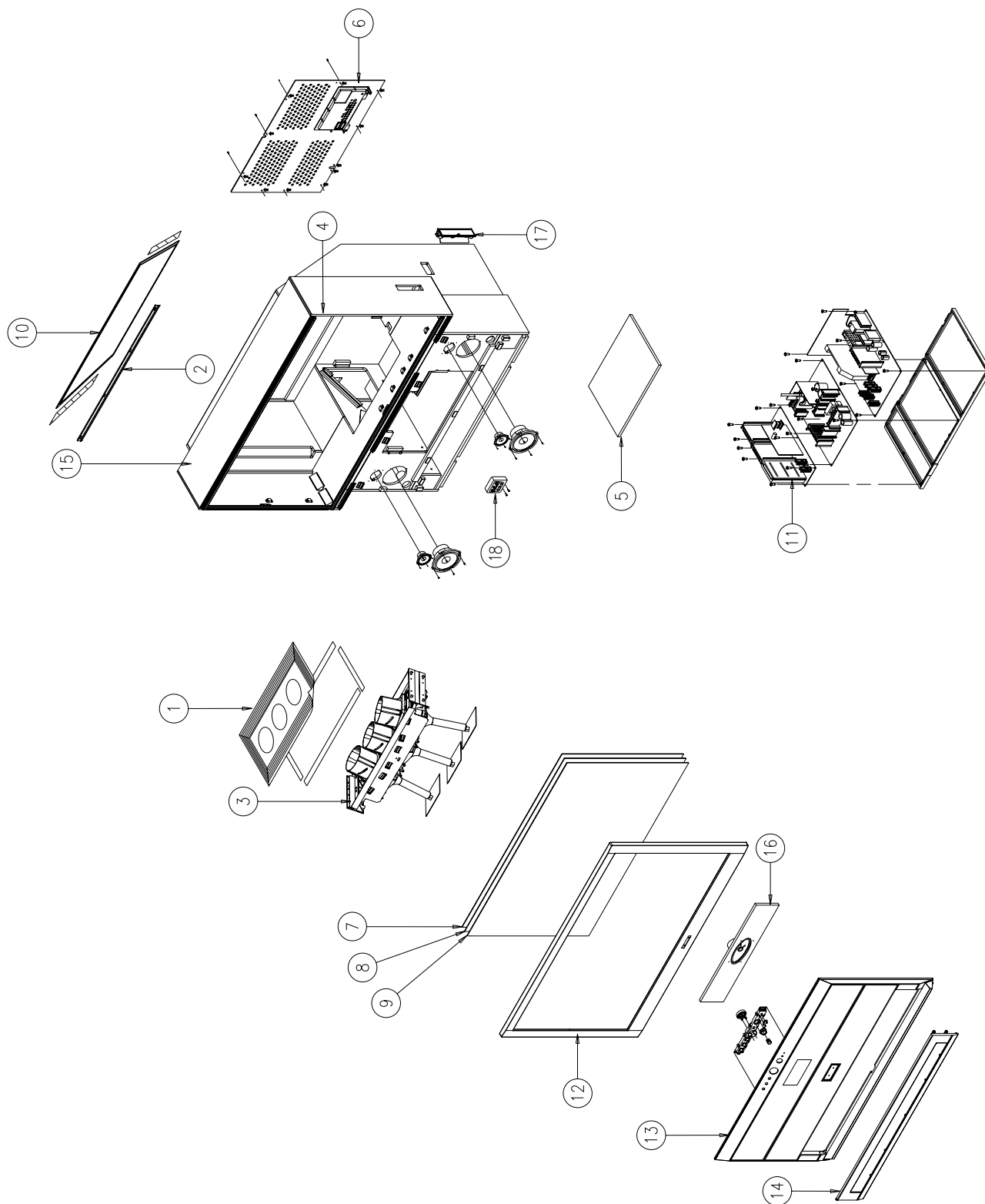
5-3 No Raster (Sound OK)



MEMO

6. Exploded View & Parts List

6-1 65W3



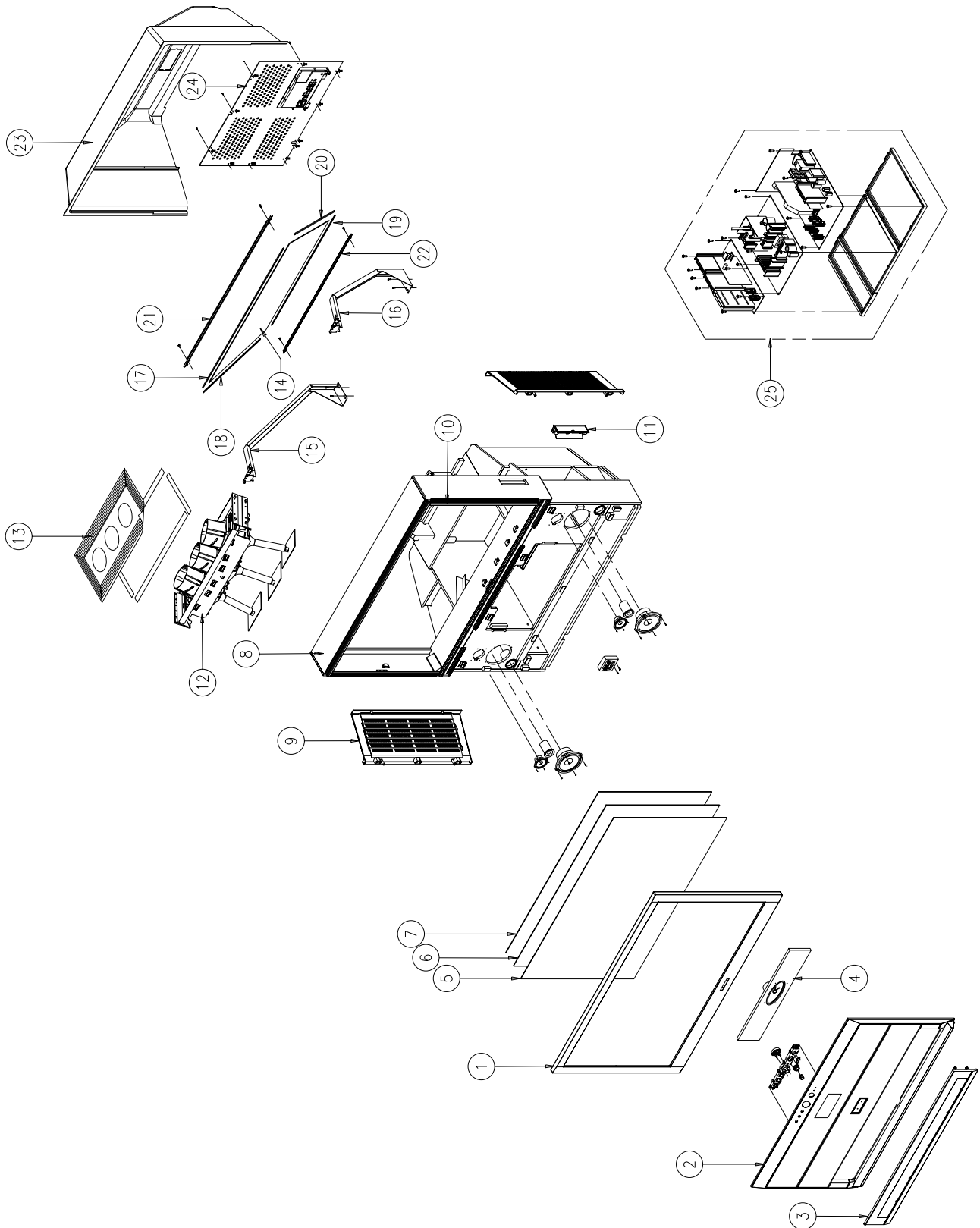
6-2 HCM653WX/XAA

No	Code No	Description;Specification	Q'ty	Remark	S.N.A
1	AA60-00134A	SPACER-COVER,DUST;65W3,SPONGE,T2.0,94HF-	1		S.N.A
2	AA61-00357H	HOLDER-MIRROR;W3,ABS HB,L1060,BLK	1		S.N.A
3	AA61-00475B	BRACKET-CRT,MAIN;54,SECC,T1.6,-,-,-,-	1		S.N.A
4	AA61-00973D	HOLDER-SCREEN,L;65W3,ABS HB,BLK	1		S.N.A
5		COVER-DUST,WOOD	1		
6	AA64-02596A	CABINET BACK-BOT;55W3,HIPS V0,BLK	1		
7	AA67-00202A	SCREEN-TINT;65W,1466*862,T=0.73,P=0.52	1		
8	AA67-00125B	SCREEN-FRESNEL;65W,-,T2,1468*864,-,-,-,-	1		
9	AA67-00133A	SUN SCREEN-AG;65W,-,T=82%,1468*864*2,-,-	1		
10	AA67-00164A	MIRROR-FRONT;65W3,GLASS ,1177*891*614,FS	1		
11	AA91-04155A	ASSY CHASSIS;HCM653WX/XAA,P54A	1		S.N.A
12	AA91-00754D	ASSY-C/FRONT,MASK;ABS HB,DG703P,65W3(HCM	1		
13	AA91-00755M	ASSY-C/FRONT,BOT,;HIPS V0,SS1028+DG703P,	1		
14	AA91-00757C	ASSY-DOOR,RACK,;HB GRAY,SS1028+DG703P,W3	1		
15	AA91-00761C	ASSY-CABINET,WOOD,;WOOD,MIJU,65W3	1		S.N.A
16	AA91-00766A	ASSY-CENTER,SPK,;W3	1		
17	AA91-00762D	ASSY-JACK,SIDE,;P54A PAL XAA,W3	1		
18	AA59-00218A	MODULE;SVP-5200,F301-P03,BK	1		

6-3 HCM653WX/XAC

No	Code No	Description;Specification	Q'ty	Remark	S.N.A
1	AA60-00134A	SPACER-COVER,DUST;65W3,SPONGE,T3.0,94HF-	1		S.N.A
2	AA61-00357H	HOLDER-MIRROR;W3,ABS HB,L1060,BLK	1		S.N.A
3	AA61-00475B	BRACKET-CRT,MAIN;54,SECC,T1.6,-,-,-,-	1		S.N.A
4	AA61-00973D	HOLDER-SCREEN,L;65W3,ABS HB,BLK	1		S.N.A
5		COVER-DUST,WOOD	1		
6	AA64-02596A	CABINET BACK-BOT;55W3,HIPS V0,BLK	1		
7	AA67-00202A	SCREEN-TINT;65W,1466*862,T=0.73,P=0.52	1		
8	AA67-00125B	SCREEN-FRESNEL;65W,-,T2,1468*864,-,-,-,-	1		
9	AA67-00133A	SUN SCREEN-AG;65W,-,T=82%,1468*864*2,-,-	1		
10	AA67-00164A	MIRROR-FRONT;65W3,GLASS ,1177*891*614,FS	1		
11	AA91-04375A	ASSY CHASSIS;HCM653WX/XAC,P54A,	1		S.N.A
12	AA91-00754D	ASSY-C/FRONT,MASK;ABS HB,DG703P,65W3(HCM	1		
13	AA91-00755M	ASSY-C/FRONT,BOT,;HIPS V0,SS1028+DG703P,	1		
14	AA91-00757C	ASSY-DOOR,RACK,;HB GRAY,SS1028+DG703P,W3	1		
15	AA91-00761E	ASSY-CABINET,WOOD,;WOOD,XAC,65W3	1		S.N.A
16	AA91-00766A	ASSY-CENTER,SPK,;W3	1		
17	AA91-00762D	ASSY-JACK,SIDE,;P54A PAL XAA,W3	1		
18	AA59-00218A	MODULE;SVP-5200,F301-P03,BK	1		

6-4 55w3



6-5 HCM5525WX/XAA

No	Code No	Description;Specification	Q'ty	Remark	S.N.A
1	AA91-00843C	ASSY-C/Front,Mask;DP,64-02059F,55W3	1	CF/MAS	
2	AA91-00842H	ASSY-C/Front,BOT;DP,64-02064L MIJU,55,65	1	CF/BOT	
3	AA91-00774H	ASSY-DOOR,RACK;DP,W3,HB GRAY,02066H	1	A/DOOR	
4		ASSY-CENTER,SPK	1		
5	AA67-00132A	SUN SCREEN-AG;55W,-,T=82%,1251*712*2,-,-	1	SUN/SC	
6	AA67-00124B	SCREEN-FRESNEL;55W,T2,1251*712	1	S/FRES	
7	AA67-00200A	SCREEN-TINT;55W,1249*710,T=0.73,P=0.52	1	S/TINT	
8	AA64-02208D	CABINET-WOOD;55W3HD,WOOD,MIJU	1	CW	
9	AA64-02225C	CABINET-BACK,SIDE DP,47.55W3,HIPS HB,BLK	2	C/BSID	
10	AA61-00971C	HOLDER-SCREEN,TB;55W3,ABS,HB,BLK,L1282	2	H/SCRE	
11	AA91-00762D	ASSY-JACK,SIDE,;,P54A PAL XAA,W3	1		
12	AA61-00475B	BRACKET-CRT,MAIN;SECC,T1.6,-,-,-	1	BCRTM	
13	AA60-00072B	SPACER-COVER,DUST;43,54,62J9,SPONGE V0(9	1	SCDUST	
14	AA67-00206A	MIRROR-Front;55W9,FSM,1027*799*540	1	M/Fron	
15	BP61-00032A	BRACKET-F/MIRROR(L);DP,55W3,61-01091A	1	BRA/ML	
16	BP61-00031A	BRACKET-F/MIRROR(R);DP,55W3,61-01090A	1	BRA/MR	
17	AA63-00021L	SPACER-MIRROR;TOP,50J6,PVC,BLK,HB L1020	1	S/MIRR	
18	AA63-00021K	SPACER-MIRROR;50J6,PVC,BLK,HB L500	1	S/MIRR	
19	AA63-00021M	SPACER-MIRROR,BOT;50J6,PVC,B,L799,BLK	1	S/MIRR	
20	AA63-00021K	SPACER-MIRROR;50J6,PVC,BLK,HB L500	1	S/MIRR	
21	BP61-00033A	BRACKET-MIRROR(TOP);DP,553W,61-01092A	1	BRA/MT	
22	BP61-00034A	BRACKET-MIRROR(BOT);DP,553W,61-01093A	1	BRA/MB	
23	BP64-00030A	CABINET-BACK,Top;DP,55W3,BP64-00014A	1	C/BTOP	
24	AA64-01849C	CABINET-BACK,BOT DP,62J8,VO,AA64-01384B	1	C/BBOT	
25	AA91-04133A	ASSY-CHASSIS-P54A;HCM5525W3S/XAA	1	A/CHAS	

6-6 HCM553WX/XAA

No	Code No	Description;Specification	Q'ty	Remark	S.N.A
1	AA91-00843B	ASSY-C/FRONT,MASK;DP,64-02059E,55W3	1	CF/MAS	
2	AA91-00842G	ASSY-C/FRONT,BOT;DP,64-02064K MIJU,55,65	1	CF/BOT	
3	AA91-00774G	ASSY-DOOR,RACK;DP,W3,HB GRAY,64-02066E	1	A/DOOR	
4	AA91-00766A	ASSY-CENTER,SPK;,W3	1	A/CENT	
5	AA67-00132A	SUN SCREEN-AG;55W,-,T=82%,1251*712*2,-,-	1	SUN/SC	
6	AA67-00124B	SCREEN-FRESNEL;55W,T2,1251*712	1	S/FRES	
7	AA67-00200A	SCREEN-TINT;55W,1249*710,T=0.73,P=0.52	1	S/TINT	
8	AA64-02208D	CABINET-WOOD;55W3HD,WOOD,MIJU	1	CW	
9	AA64-02225C	CABINET-BACK,SIDE DP,47.55W3,HIPS HB,BLK	2	C/BSID	
10	AA61-00971C	HOLDER-SCREEN,TB;55W3,ABS,HB,BLK,L1282	2	H/SCRE	
11	AA91-00762D	ASSY-JACK,SIDE,;,P54A PAL XAA,W3	1		
12	AA61-00475B	BRACKET-CRT,MAIN;SECC,T1.6,-,-,-,-	1	BCRTM	
13	AA60-00072B	SPACER-COVER,DUST;43,54,62J9,SPONGE V0(9	1	SCDUST	
14	AA67-00206A	MIRROR-FRONT;55W9,FSM,1027*799*540	1	M/FRON	
15	BP61-00032A	BRACKET-F/MIRROR(L);DP,55W3,61-01091A	1	BRA/ML	
16	BP61-00031A	BRACKET-F/MIRROR(R);DP,55W3,61-01090A	1	BRA/MR	
17	AA63-00021L	SPACER-MIRROR;TOP,50J6,PVC,BLK,HB L1020	1	S/MIRR	
18	AA63-00021K	SPACER-MIRROR;50J6,PVC,BLK,HB L500	1	S/MIRR	
19	AA63-00021M	SPACER-MIRROR,BOT;50J6,PVC,B,L799,BLK	1	S/MIRR	
20	AA63-00021K	SPACER-MIRROR;50J6,PVC,BLK,HB L500	1	S/MIRR	
21	BP61-00033A	BRACKET-MIRROR(TOP);DP,553W,61-01092A	1	BRA/MT	
22	BP61-00034A	BRACKET-MIRROR(BOT);DP,553W,61-01093A	1	BRA/MB	
23	BP64-00030A	CABINET-BACK,TOP;DP,55W3,BP64-00014A	1	C/BTOP	
24	AA64-01849C	CABINET-BACK,BOT DP,62J8,VO,AA64-01384B	1	C/BBOT	
25	AA91-04006A	ASSY CHASSIS;HCM5525W3S/XAA,P54A	1	A/CHAS	

7. Electrical Parts List

7-1 HCM653WX/XAA

Loc. No.	Code No.	Description ; Specification	Remark	Loc. No.	Code No.	Description ; Specification	Remark
ASSY CHASSIS							
1	*	AA91-04155A ASSY CHASSIS;HCM653WX/XAA,P54A	S.N.A	△ ...3	LC431S	AA27-30003M COIL-LINEARLITY;-,5uH,OWA14x15,USRC0.1x6	
..2	PM+HC	6003-001023 SCREW-TAPTITE;RWH,+,B,M3,L10,ZPC(YEL),SW	S.N.A	△ ...3	PC811S	0604-001032 PHOTO-COUPLER;TR,170-260%,300mW,DIP-4,ST	
..2	PP+HC	6003-001023 SCREW-TAPTITE;RWH,+,B,M3,L10,ZPC(YEL),SW	S.N.A	...3	Q353	0502-000442 TR-POWER;2SC4636RB,NPN,2W,TO-220,ST,10-	
..2	PS+HC	6003-001023 SCREW-TAPTITE;RWH,+,B,M3,L10,ZPC(YEL),SW	S.N.A	...3	Q431	AA96-00033E ASSY H/S;-,H-OUT,AA62-30173C,2SC5446, FM	S.N.A
..2		AA95-01841A ASSY SUB-PCB,SENSOR;PCL545R,P54A,AA95-01		...4		AA62-30173C HEAT-SINK,ES;-,T1.0,WHITE,SCREW-HOLE(2	S.N.A
..3	CN01	3711-002642 CONNECTOR-HEADER;BOX,3P,1R,2.5mm,STRAIGH		...4		AA60-30001A WASHER-PLATE;M3,ID3.5,15X8.5,T1.0,-,SBHG	S.N.A
..3	D01	0603-001067 PHOTO DIODE;-,10V,560nm,BK		...4		AA02-00007A MICA;DPM-04,MICA,22x29x0.15mm	S.N.A
..3		AA97-05352A ASSY AUTO-SUB;PCL545R,P54A	S.N.A	...4		6003-000333 SCREW-TAPTITE;RH,+,2S,M3,L10,ZPC(YEL),SW	S.N.A
..4	PCB	AA41-00433B PCB-SENSOR;PCL545R,CEM-1,1L,A,1.6T,245X2	S.N.A	...4	Q433	0502-001175 TR-POWER;2SC5446,NPN,200000mW,TO-3PL,BK,	
..4	Q01	0501-000389 TR-SMALL SIGNAL;KSC815,NPN,400mW,TO-92,T		...4		0402-001296 DIODE-RECTIFIER;FMP-3FU,1.5kV,5A,TO-3PF,	
..4	R01	2001-000739 R-CARBON;4.7MOHM,5%,1/8W,AA,TP,1.8X3.2MM		...4		0205-000129 GREASE-SILICON;SC102,JAPAN	S.N.A
..4	R02	2001-000739 R-CARBON;4.7MOHM,5%,1/8W,AA,TP,1.8X3.2MM		...4		AA96-50047A ASSY H/S;-,AA62-30154G,KSD73Y,-	S.N.A
..4	R03	2001-000454 R-CARBON;2.2MOHM,5%,1/8W,AA,TP,1.8X3.2MM		...4		0205-000129 GREASE-SILICON;SC102,JAPAN	S.N.A
..3		0202-000187 SOLDER-WIRE FLUX;-,RS60S,D1.2.63Sn/37Pb	S.N.A	...4		0502-000298 TR-POWER;KSD73,NPN,30000mW,TO-220,TP,120	
..2		AA95-01846D ASSY SUB-PCB, SUB;PCL545R,P54A,AA95-00705		...4		6003-000333 SCREW-TAPTITE;RH,+,2S,M3,L10,ZPC(YEL),SW	S.N.A
..3	C432	2306-000267 C-FILM,MPPF;8.2nF,5%,1.6KV,TP,28.5x18.5x		...4		AA62-30154G HEAT-SINK,ES;-,A6063 EXTR,-,WHT,50/16,-,	S.N.A
..3	C438	2306-000267 C-FILM,MPPF;8.2nF,5%,1.6KV,TP,28.5x18.5x		...4		AA96-500383F ASSY H/S;-,AA62-30180D,2SD921,-	S.N.A
..3	C491	2306-000322 C-FILM,MPPF;12nF,5%,1.6KV,TP,29x20.5x13,		...3	Q441	0205-000129 GREASE-SILICON;SC102,JAPAN	S.N.A
..3	C876	2401-000787 C-AL;220uF,20%,160V,GP,TP,16x31.5mm		...4		0502-001104 TR-POWER;2SD921,NPN,80W,TO-3PBK,700-	
..3	CN202	AA39-00116A LEAD CONNECTOR-ASSY;-,12P,YBNH250-12,3515		...4		6003-000333 SCREW-TAPTITE;RH,+,2S,M3,L10,ZPC(YEL),SW	S.N.A
..3	CN801	AA39-00180A LEAD CONNECTOR ASSY;-,14P,YBNH250-14,3515		...4		AA62-30180D HEAT-SINK,ES;-,A6063 EXTR,-,WHT,50mm,-,	S.N.A
..3	CN802	3711-003974 CONNECTOR-HEADER;BOX,12P,1R,2.5mm,STRAIG		...4		AA96-50037A ASSY H/S;-,AA62-30181N,2SC4125, IRFS64	S.N.A
..3	CN803	3711-003974 CONNECTOR-HEADER;BOX,12P,1R,2.5mm,STRAIG		...4		AA62-30181N HEAT-SINK,ES;-,T1.0,WHITE,SCREW-HOLE(2	S.N.A
..3	CN804	3711-003974 CONNECTOR-HEADER;BOX,12P,1R,2.5mm,STRAIG		...4		AA60-30001A WASHER-PLATE;M3,ID3.5,15X8.5,T1.0,-,SBHG	S.N.A
..3	CN805	3711-003974 CONNECTOR-HEADER;BOX,12P,1R,2.5mm,STRAIG		...4		6003-000333 SCREW-TAPTITE;RH,+,2S,M3,L10,ZPC(YEL),SW	S.N.A
..3	CN806	3711-003974 CONNECTOR-HEADER;BOX,12P,1R,2.5mm,STRAIG		...4		0505-001202 FET-SILICON;IRFS640A,N,200V,9.8A,0.18ohm	
..3	CN807	3711-003974 CONNECTOR-HEADER;BOX,12P,1R,2.5mm,STRAIG		...4		0502-001100 TR-POWER;2SC4125,NPN,70W,TO-3PML,BK,8-	
..3	CN808	3711-003974 CONNECTOR-HEADER;BOX,12P,1R,2.5mm,STRAIG		...4		0205-000129 GREASE-SILICON;SC102,JAPAN	S.N.A
..3	CN809	3711-003974 CONNECTOR-HEADER;BOX,12P,1R,2.5mm,STRAIG		△ ...3	RL811S	3501-001053 RELAY-POWER;5Vdc,530mW,10A,1FormA,15mS,5	
..3	CN810	3711-003974 CONNECTOR-HEADER;BOX,12P,1R,2.5mm,STRAIG		△ ...3	RL812S	3501-001040 RELAY-POWER;12VDC,500mW,10A,1FormA,15mS,	
..3	CN811	3711-003974 CONNECTOR-HEADER;BOX,12P,1R,2.5mm,STRAIG		△ ...3	T431	AA26-50001U TRANS-HORIZ.DRIVE;-,28mH,-,105uH,-	
..3	CN812	3711-003974 CONNECTOR-HEADER;BOX,12P,1R,2.5mm,STRAIG		△ ...3	T432	AA26-00012A TRANS-DUMMY;-,EER4	
..3	CN813	3711-003974 CONNECTOR-HEADER;BOX,12P,1R,2.5mm,STRAIG		△ ...3	T433	AA26-00011A TRANS-DUMMY;-,EE28	
..3	CN814	3711-003974 CONNECTOR-HEADER;BOX,12P,1R,2.5mm,STRAIG		△ ...3	T444S	AA26-00100A TRANS FBT;FFA97513L,CT29A7DR,0.3mH,-,-	
..3	CN815	3711-003974 CONNECTOR-HEADER;BOX,12P,1R,2.5mm,STRAIG		△ ...3	T461	AA26-50001V TRANS-HORIZ.DRIVE;-,6.0mH,-,113uH,	
..3	CN816	3711-003974 CONNECTOR-HEADER;BOX,12P,1R,2.5mm,STRAIG		△ ...3	T481	AA26-00091A TRANS-HV-STORAGE;4mH,-,14P,830uH,180V,10	
..3	CN817	3711-003974 CONNECTOR-HEADER;BOX,12P,1R,2.5mm,STRAIG		△ ...3	TS811S	AA26-00055B TRANS SWITCHING;HLK436W,AC80V,AC80-280V	
..3	CN818	3711-003974 CONNECTOR-HEADER;BOX,12P,1R,2.5mm,STRAIG		...3		3301-001201 CORE-FERRITE;AE,21x11x32mm,1500,280G	
..3	CN819	3711-003974 CONNECTOR-HEADER;BOX,12P,1R,2.5mm,STRAIG		...3		AA97-05175A ASSY AUTO-SUB;PCL545R,P54A	S.N.A
..3	CN820	3711-003974 CONNECTOR-HEADER;BOX,12P,1R,2.5mm,STRAIG		...4	C301	2305-000427 C-FILM,MPEF;47nF,5%,100V,TP,7.5x12.5x3.5	
..3	CN821	3711-003974 CONNECTOR-HEADER;BOX,12P,1R,2.5mm,STRAIG		...4	C302	2201-000292 C-CERAMIC,DISC;1nF,10%,50V,Y5P,TP,5x3.5,	
..3	CN822	3711-003974 CONNECTOR-HEADER;BOX,12P,1R,2.5mm,STRAIG		...4	C303	2305-000427 C-FILM,MPEF;47nF,5%,100V,TP,7.5x12.5x3.5	
..3	CN823	3711-003974 CONNECTOR-HEADER;BOX,12P,1R,2.5mm,STRAIG		...4	C304	2201-000292 C-CERAMIC,DISC;1nF,10%,50V,Y5P,TP,5x3.5,	
..3	CN824	3711-003974 CONNECTOR-HEADER;BOX,12P,1R,2.5mm,STRAIG		...4	C305	2201-002022 C-CERAMIC,DISC;0.005nF,0.25pF,500V,NP0,T	
..3	CN825	3711-003974 CONNECTOR-HEADER;BOX,12P,1R,2.5mm,STRAIG		...4	C307	2401-000365 C-AL;100uF,20%,50V,WT,TP,10x12.5mm,	
..3	CN826	3711-003974 CONNECTOR-HEADER;BOX,12P,1R,2.5mm,STRAIG		...4	C308	2401-000365 C-AL;100uF,20%,50V,WT,TP,10x12.5mm,	
..3	CN827	3711-003974 CONNECTOR-HEADER;BOX,12P,1R,2.5mm,STRAIG		...4	C309	2305-000285 C-FILM,MPEF;220nF,5%,100V,TP,10.5X5.5X15	
..3	CN828	3711-003974 CONNECTOR-HEADER;BOX,12P,1R,2.5mm,STRAIG		...4	C311	2305-000149 C-FILM,MPEF;100nF,5%,100V,TP,12x12.5x6.5	
..3	CN829	3711-003974 CONNECTOR-HEADER;BOX,12P,1R,2.5mm,STRAIG		...4	C351	2401-000471 C-AL;10uF,20%,50V,BP,TP,5x11.5mm	
..3	CN830	3711-003974 CONNECTOR-HEADER;BOX,12P,1R,2.5mm,STRAIG		...4	C352	2401-001989 C-AL;4.7uF,20%,50V,BP,TP,5x11.5	
..3	CN831	3711-003974 CONNECTOR-HEADER;BOX,12P,1R,2.5mm,STRAIG		...4	C353	2401-000480 C-AL;10uF,20%,50V,GP,TP,5x11.5	
..3	CN832	3711-003974 CONNECTOR-HEADER;BOX,12P,1R,2.5mm,STRAIG		...4	C354	2401-002300 C-AL;47uF,20%,50V,GP,TP,6.3x11.5	
..3	CN833	3711-003974 CONNECTOR-HEADER;BOX,12P,1R,2.5mm,STRAIG		...4	C355	2201-000991 C-CERAMIC,DISC;0.56nF,10%,2kV,Y5P,TP,7.5	
..3	CN834	3711-003974 CONNECTOR-HEADER;BOX,12P,1R,2.5mm,STRAIG		...4	C405	2201-000558 C-CERAMIC,DISC;0.47nF,10%,50V,Y5P,TP,5x3	
..3	CN835	3711-003974 CONNECTOR-HEADER;BOX,12P,1R,2.5mm,STRAIG		...4	C406	2201-000370 C-CERAMIC,DISC;0.22nF,10%,50V,Y5P,TP,4x3	
..3	CN836	3711-003974 CONNECTOR-HEADER;BOX,12P,1R,2.5mm,STRAIG		...4	C412	2301-000383 C-FILM,PEF;10nF,5%,50V,TP,6x7x3.2mm,5mm	
..3	CN837	3711-003974 CONNECTOR-HEADER;BOX,12P,1R,2.5mm,STRAIG		...4	C413	2401-000360 C-AL;100uF,20%,50V,GP,TP,8x11.5,5	
..3	CN838	3711-003974 CONNECTOR-HEADER;BOX,12P,1R,2.5mm,STRAIG		...4	C417	2401-001397 C-AL;470uF,20%,25V,GP,TP,10x16,5	
..3	CN839	3711-003974 CONNECTOR-HEADER;BOX,12P,1R,2.5mm,STRAIG		...4	C418	2401-000360 C-AL;100uF,20%,50V,GP,TP,8x11.5,5	
..3	CN840	3711-003974 CONNECTOR-HEADER;BOX,12P,1R,2.5mm,STRAIG		...4	C419	2201-000180 C-CERAMIC,DISC;10nF,10%,50V,Y5V,TP,7x3,5	
..3	CN841	3711-003974 CONNECTOR-HEADER;BOX,12P,1R,2.5mm,STRAIG		...4	C426	2401-000360 C-AL;100uF,20%,50V,GP,TP,8x11.5,5	
..3	CN842	3711-003974 CONNECTOR-HEADER;BOX,12P,1R,2.5mm,STRAIG		...4	C427	2401-002300 C-AL;47uF,20%,50V,GP,TP,6.3x11.5	
..3	CN843	3711-003974 CONNECTOR-HEADER;BOX,12P,1R,2.5mm,STRAIG		...4	C428	2306-000122 C-FILM,MPEF;100nF,5%,50V,TP,7.3x4.0x5.0m	
..3	CN844	3711-003974 CONNECTOR-HEADER;BOX,12P,1R,2.5mm,STRAIG		...4	C429	2305-000704 C-FILM,MPEF;100nF,5%,250V,TP,16.5x10.3x5	
..3	CN845	3711-003974 CONNECTOR-HEADER;BOX,12P,1R,2.5mm,STRAIG		...4	C437	2401-003114 C-AL;4.7uF,20%,250V,WT,TP,10x16,5	
..3	CN846	3711-003974 CONNECTOR-HEADER;BOX,12P,1R,2.5mm,STRAIG		...4	C445	2401-001622 C-AL;6.8uF,20%,50V,BP,TP;16x25mm,7,	
..3	CN847	3711-003974 CONNECTOR-HEADER;BOX,12P,1R,2.5mm,STRAIG		...4	C449	2201-000406 C-CERAMIC,DISC;0.27nF,10%,2kV,Y5P,TP,6.3	
..3	CN848	3711-003974 CONNECTOR-HEADER;BOX,12P,1R,2.5mm,STRAIG		...4	C450	2401-000262 C-AL;100uF,20%,160V,HR,TP,16x25,7,5	

Electrical Parts List

Loc. No.	Code No.	Description ; Specification	Remark	Loc. No.	Code No.	Description ; Specification	Remark
....4	C451	2401-001160	C-AL;33uF,20%,160V,GP,-16x35mm,7.54	D353	0401-000005	DIODE-SWITCHING;1N4148,100V,200mA,DO-35,
....4	C452	2201-000132	C-CERAMIC,DISC;0.1nF,10%,500V,Y5P,TP,6.54	D384	0402-000132	DIODE-RECTIFIER;1N4004,400V,1A,DO-41,TP
....4	C453	2401-002288	C-AL;470uF,20%,25V,WT,TP,10x20,54	D385	0401-000005	DIODE-SWITCHING;1N4148,100V,200mA,DO-35,
....4	C454	2401-001428	C-AL;470uF,20%,50V,GP,TP,10x20,54	D433	0402-000537	DIODE-RECTIFIER;RH1A,600V,0.6A,DO-204AC
....4	C455	2201-000132	C-CERAMIC,DISC;0.1nF,10%,500V,Y5P,TP,6.54	D434	0402-000546	DIODE-RECTIFIER;TVR10G,400V,1.0A,DO-41,T
....4	C456	2401-001527	C-AL;47uF,20%,250V,HR,TP,13x25mm,5m4	D435	0402-000132	DIODE-RECTIFIER;1N4004,400V,1A,DO-41,TP
....4	C457	2201-000132	C-CERAMIC,DISC;0.1nF,10%,500V,Y5P,TP,6.54	D436	0401-000005	DIODE-SWITCHING;1N4148,100V,200mA,DO-35,
....4	C458	2401-002288	C-AL;470uF,20%,25V,WT,TP,10x20,54	D440	0402-000534	DIODE-RECTIFIER;RG10V,400V,1.2A,DO-201,T
....4	C459	2201-000132	C-CERAMIC,DISC;0.1nF,10%,500V,Y5P,TP,6.54	D441	0402-000534	DIODE-RECTIFIER;RG10V,400V,1.2A,DO-201,T
....4	C460	2303-000331	C-FILM,PPF;4.7nF,5%,630V,TP,19.5x12x7,7.4	D442	0401-000005	DIODE-SWITCHING;1N4148,100V,200mA,DO-35,
....4	C467	2401-000360	C-AL;100uF,20%,50V,GP,TP,8x11.5,54	D443	0401-000005	DIODE-SWITCHING;1N4148,100V,200mA,DO-35,
....4	C468	2201-000119	C-CERAMIC,DISC;100nF,+80-20%,50V,Y5V,TP,6.54	D444	0402-000546	DIODE-RECTIFIER;TVR10G,400V,1.0A,DO-41,T
....4	C469	2201-000180	C-CERAMIC,DISC;10nF,10%,50V,Y5V,TP,7x3,54	D445	0402-000534	DIODE-RECTIFIER;RG10V,400V,1.2A,DO-201,T
....4	C472	2401-000262	C-AL;100uF,20%,160V,HR,TP,16x25,7.54	D451	0402-000534	DIODE-RECTIFIER;RG10V,400V,1.2A,DO-201,T
....4	C476	2401-001989	C-AL;4.7uF,20%,50V,BP,TP,5x11,54	D453	0402-001286	DIODE-RECTIFIER;RP1H,2000V,1A,-,TP
....4	C477	2301-000213	C-FILM,PEF;220nF,5%,250V,TP,21.5x11,7,54	D472	0402-000546	DIODE-RECTIFIER;TVR10G,400V,1.0A,DO-41,T
....4	C478	2301-000020	C-FILM,PEF;27nF,5%,100V,TP,7.3x4x12.5mm,4	D474	0402-000546	DIODE-RECTIFIER;TVR10G,400V,1.0A,DO-41,T
....4	C479	2301-000200	C-FILM,PEF;2.2nF,5%,200V,TP,11.0x6.0x9.04	D477	0401-000005	DIODE-SWITCHING;1N4148,100V,200mA,DO-35,
....4	C480	2306-000122	C-FILM,MPPF;100nF,5%,50V,TP,7.3x4.0x5.0m4	D478	0401-000005	DIODE-SWITCHING;1N4148,100V,200mA,DO-35,
....4	C481	2401-002235	C-AL;10uF,20%,16V,GP,TP,5x11mm,5mm4	D479	0401-000005	DIODE-SWITCHING;1N4148,100V,200mA,DO-35,
....4	C483	2401-000660	C-AL;2.2uF,20%,50V,GP,TP,5x11,54	D480	0402-000132	DIODE-RECTIFIER;1N4004,400V,1A,DO-41,TP
....4	C484	2201-000132	C-CERAMIC,DISC;0.1nF,10%,500V,Y5P,TP,6.54	D484	0402-000132	DIODE-RECTIFIER;1N4004,400V,1A,DO-41,TP
....4	C487	2305-000178	C-FILM,MPEF;10nF,5%,100V,TP,-,5mm4	D501	0402-000132	DIODE-RECTIFIER;1N4004,400V,1A,DO-41,TP
....4	C488	2401-002144	C-AL;47uF,20%,16V,GP,TP,5x11,5	△....4	DR401S	0401-000005	DIODE-SWITCHING;1N4148,100V,200mA,DO-35,
....4	C489	2401-001840	C-AL;100uF,20%,16V,GP,TP,6.3x11,5	△....4	DR402S	0401-000005	DIODE-SWITCHING;1N4148,100V,200mA,DO-35,
....4	C490	2201-000119	C-CERAMIC,DISC;100nF,+80-20%,50V,Y5V,TP,6.5	△....4	DR404S	0403-001325	DIODE-ZENER;MTZJ15C,14.35-15.09V,500mW,D
....4	C492	2401-001026	C-AL;3.3UF,20%,50V,GP,TP,5X11,54	DS805	0404-001056	DIODE-SCHOTTKY;RK16,60V,1.5A,DO-204AC,TP
....4	C857	2401-000133	C-AL;1000uF,20%,16V,GP,TP,10x20,54	DS807	0402-000546	DIODE-RECTIFIER;TVR10G,400V,1.0A,DO-41,T
....4	C866	2401-000192	C-AL;1000uF,20%,50V,GP,TP,16x25,7.54	DS809	0404-001056	DIODE-SCHOTTKY;RK16,60V,1.5A,DO-204AC,TP
....4	C869	2401-000192	C-AL;1000uF,20%,50V,GP,TP,16x25,7.54	DZ301	0403-001327	DIODE-ZENER;MTZJ18A,16.22-17.06V,500mW,D
....4	C873	2401-001998	C-AL;1000uF,20%,25V,GP,TP,10x20,5mm4	DZ304	0403-001327	DIODE-ZENER;MTZJ18A,16.22-17.06V,500mW,D
....4	CN401	3711-002645	CONNECTOR-HEADER;BOX,6P,1R,2.5mm,STRAIGH4	DZ305	0403-001329	DIODE-ZENER;MTZJ24B,22.61-23.77V,500mW,D
....4	CN403	3711-002642	CONNECTOR-HEADER;BOX,3P,1R,2.5mm,STRAIGH4	DZ306	0403-001330	DIODE-ZENER;MTZJ30A,26.99-28.39V,500mW,D
△....4	CR401S	2401-001026	C-AL;3.3UF,20%,50V,GP,TP,5X11,54	DZ307	0403-001329	DIODE-ZENER;MTZJ24B,22.61-23.77V,500mW,D
△....4	CR402S	2201-000146	C-CERAMIC,DISC;0.1nF,5%,50V,SL,TP,5x3,54	DZ386	0403-001316	DIODE-ZENER;MTZJ3.0A,2.85-3.07V,500mW,DO
△....4	CR403S	2201-000146	C-CERAMIC,DISC;0.1nF,5%,50V,SL,TP,5x3,54	DZ395	0403-001319	DIODE-ZENER;MTZJ4.7C,4.68-4.93V,500mW,DO
....4	CS804	2201-000119	C-CERAMIC,DISC;100nF,+80-20%,50V,Y5V,TP,6.54	DZ400	0403-001325	DIODE-ZENER;MTZJ15C,14.35-15.09V,500mW,D
....4	CS805	2401-001101	C-AL;330uF,20%,16V,GP,TP,8x11.5,54	DZ413	0403-001319	DIODE-ZENER;MTZJ4.7C,4.68-4.93V,500mW,DO
....4	CS807	2201-000119	C-CERAMIC,DISC;100nF,+80-20%,50V,Y5V,TP,6.54	DZ473	0403-000720	DIODE-ZENER;MTZJ9.1B,9.1V,8.57-9.01V,500
....4	CS808	2401-002463	C-AL;470uF,20%,16V,GP,TP,8x11.5,54	DZ474	0403-000734	DIODE-ZENER;TZP15B,15V,14.7-16.5V,1W,DO-
....4	CS809	2201-000556	C-CERAMIC,DISC;0.47nF,10%,500V,Y5P,TP,54	DZ481	0403-001327	DIODE-ZENER;MTZJ18A,16.22-17.06V,500mW,D
....4	CS812	2201-002076	C-CERAMIC,DISC;0.068nF,5%,1kV,SL,TP,8x4m	△....4	DZ482S	0403-000720	DIODE-ZENER;MTZJ9.1B,9.1V,8.57-9.01V,500
....4	CS813	2201-000332	C-CERAMIC,DISC;2.2nF,20%,250V,Y5U,TP,9x44	DZ483	0403-000720	DIODE-ZENER;MTZJ9.1B,9.1V,8.57-9.01V,500
....4	CS814	2201-000332	C-CERAMIC,DISC;2.2nF,20%,250V,Y5U,TP,9x44	DZ801	0406-001106	DIODE-TVS;P6KE300A,285/-/315V,600W,DO-20
....4	CZ101	2401-001428	C-AL;470uF,20%,50V,GP,TP,10x20,54	DZ802	0406-001106	DIODE-TVS;P6KE300A,285/-/315V,600W,DO-20
....4	CZ102	2401-001428	C-AL;470uF,20%,50V,GP,TP,10x20,54	DZ803	0403-000508	DIODE-ZENER;MTZJ5.6B,5.6V,5.45-5.73V,500
....4	CZ108	2201-000499	C-CERAMIC,DISC;0.39nF,5%,50V,SL,TP,8.5x34	DZ804	0403-000716	DIODE-ZENER;MTZJ4.7B,4.7V,4.55-4.8V,500m
....4	CZ109	2201-000499	C-CERAMIC,DISC;0.39nF,5%,50V,SL,TP,8.5x34	DZ805	0403-001322	DIODE-ZENER;MTZJ8.2B,7.78-8.19V,500mW,DO
....4	CZ110	2201-000499	C-CERAMIC,DISC;0.39nF,5%,50V,SL,TP,8.5x34	E101	AA60-40011B	EYELET;ID2.0,OD2.8,-,-,BST,
....4	CZ111	2201-000976	C-CERAMIC,DISC;0.022nF,5%,50V,NP0,TP,5x34	EY101	AA60-40011A	EYELET;ID2.0,OD2.8,-,-,BST,
....4	CZ112	2201-000863	C-CERAMIC,DISC;0.68nF,10%,50V,Y5P,TP,5x34	EY102	AA60-40011A	EYELET;ID2.0,OD2.8,-,-,BST,
....4	CZ113	2201-000976	C-CERAMIC,DISC;0.022nF,5%,50V,NP0,TP,5x34	EY103	AA60-40011A	EYELET;ID2.0,OD2.8,-,-,BST,
....4	CZ114	2201-000863	C-CERAMIC,DISC;0.68nF,10%,50V,Y5P,TP,5x34	EY104	AA60-40011A	EYELET;ID2.0,OD2.8,-,-,BST,
....4	CZ115	2201-000976	C-CERAMIC,DISC;0.022nF,5%,50V,NP0,TP,5x34	EY105	AA60-40011A	EYELET;ID2.0,OD2.8,-,-,BST,
....4	CZ116	2201-000863	C-CERAMIC,DISC;0.68nF,10%,50V,Y5P,TP,5x34	EY107	AA60-40011A	EYELET;ID2.0,OD2.8,-,-,BST,
....4	CZ117	2201-000327	C-CERAMIC,DISC;2.2nF,10%,50V,Y5V,TP,6.5x4	EY108	AA60-40011A	EYELET;ID2.0,OD2.8,-,-,BST,
....4	CZ118	2201-000327	C-CERAMIC,DISC;2.2nF,10%,50V,Y5V,TP,6.5x4	EY109	AA60-40011A	EYELET;ID2.0,OD2.8,-,-,BST,
....4	CZ126	2201-000499	C-CERAMIC,DISC;0.39nF,5%,50V,SL,TP,8.5x34	EY110	AA60-40011A	EYELET;ID2.0,OD2.8,-,-,BST,
....4	CZ127	2201-000499	C-CERAMIC,DISC;0.39nF,5%,50V,SL,TP,8.5x34	EY111	AA60-40011A	EYELET;ID2.0,OD2.8,-,-,BST,
....4	CZ128	2201-000499	C-CERAMIC,DISC;0.39nF,5%,50V,SL,TP,8.5x34	EY112	AA60-40011A	EYELET;ID2.0,OD2.8,-,-,BST,
....4	CZ132	2201-000976	C-CERAMIC,DISC;0.022nF,5%,50V,NP0,TP,5x34	EY113	AA60-40011A	EYELET;ID2.0,OD2.8,-,-,BST,
....4	CZ133	2201-000863	C-CERAMIC,DISC;0.68nF,10%,50V,Y5P,TP,5x34	EY114	AA60-40011A	EYELET;ID2.0,OD2.8,-,-,BST,
....4	CZ134	2201-000976	C-CERAMIC,DISC;0.022nF,5%,50V,NP0,TP,5x34	EY115	AA60-40011A	EYELET;ID2.0,OD2.8,-,-,BST,
....4	CZ135	2201-000863	C-CERAMIC,DISC;0.68nF,10%,50V,Y5P,TP,5x34	EY116	AA60-40011A	EYELET;ID2.0,OD2.8,-,-,BST,
....4	CZ136	2201-000976	C-CERAMIC,DISC;0.022nF,5%,50V,NP0,TP,5x34	EY117	AA60-40011A	EYELET;ID2.0,OD2.8,-,-,BST,
....4	CZ137	2201-000863	C-CERAMIC,DISC;0.68nF,10%,50V,Y5P,TP,5x34	EY118	AA60-40011A	EYELET;ID2.0,OD2.8,-,-,BST,
....4	CZ138	2201-000327	C-CERAMIC,DISC;2.2nF,10%,50V,Y5V,TP,6.5x4	EY120	AA60-40011A	EYELET;ID2.0,OD2.8,-,-,BST,
....4	CZ139	2201-000327	C-CERAMIC,DISC;2.2nF,10%,50V,Y5V,TP,6.5x4	EY121	AA60-40011A	EYELET;ID2.0,OD2.8,-,-,BST,
....4	CZ140	2401-000962	C-AL;22uF,20%,50V,GP,TP,5x11,54	EY122	AA60-40011A	EYELET;ID2.0,OD2.8,-,-,BST,
....4	CZ141	2401-000962	C-AL;22uF,20%,50V,GP,TP,5x11,54	EY123	AA60-40011A	EYELET;ID2.0,OD2.8,-,-,BST,
....4	CZ151	2202-000796	C-CERAMIC,MLC-AXIAL;1NF,10%,50V,Y5P,TP,34	EY124	AA60-40011A	EYELET;ID2.0,OD2.8,-,-,BST,
....4	CZ152	2202-000796	C-CERAMIC,MLC-AXIAL;1NF,10%,50V,Y5P,TP,34	EY125	AA60-40011A	EYELET;ID2.0,OD2.8,-,-,BST,
....4	CZ153	2202-000796	C-CERAMIC,MLC-AXIAL;1NF,10%,50V,Y5P,TP,34	EY126	AA60-40011A	EYELET;ID2.0,OD2.8,-,-,BST,
....4	CZ154	2202-000796	C-CERAMIC,MLC-AXIAL;1NF,10%,50V,Y5P,TP,34	EY127	AA60-40011A	EYELET;ID2.0,OD2.8,-,-,BST,
....4	CZ155	2202-000796	C-CERAMIC,MLC-AXIAL;1NF,10%,50V,Y5P,TP,34	EY128	AA60-40011A	EYELET;ID2.0,OD2.8,-,-,BST,
....4	CZ156	2202-000796	C-CERAMIC,MLC-AXIAL;1NF,10%,50V,Y5P,TP,34	EY129	AA60-40011A	EYELET;ID2.0,OD2.8,-,-,BST,
....4	D302	0402-000546	DIODE-RECTIFIER;TVR10G,400V,1.0A,DO-41,T4	EY130	AA60-40011A	EYELET;ID2.0,OD2.8,-,-,BST,

Loc. No.	Code No.	Description ; Specification	Remark	Loc. No.	Code No.	Description ; Specification	Remark
....4	L483	2901-000299	FILTER-EMI ON BOARD;-6A,UL/CSA,-,9x7.5,4	R408	2004-001402	R-METAL(S);6.8Kohm,1%,1/2W,AA,TP,2.4x6.4
....4	L493	3301-000287	CORE-FERRITE BEAD;AA,3.5x1.0x6.0mm,1500,4	R409	2001-001178	R-CARBON(S);6800HM,5%,1/2W,AA,TP,2.4x6.4
....4	L494	3301-000374	CORE-FERRITE BEAD;AA,3.5x1.0x9.0mm,-,-4	R410	2001-000052	R-CARBON(S);3.3KOHM,5%,1/2W,AA,TP,2.4x6.4
....4	L495	3301-000287	CORE-FERRITE BEAD;AA,3.5x1.0x6.0mm,1500,4	R411	2008-001113	R-FUSIBLE(S);0.22ohm,10%,2W,AG,TP,3.9x12
....4	L499	2901-000297	FILTER-EMI ON BOARD;-3A,-,-,3.5x5,TP,-4	R412	2001-000362	R-CARBON;1500HM,5%,1/8W,AA,TP,1.8X3.2MM
....4	LS801	2901-000297	FILTER-EMI ON BOARD;-3A,-,-,3.5x5,TP,-4	R413	2001-001088	R-CARBON(S);1KOHM,5%,1/2W,AA,TP,2.4x6.4MM
....4	LS802	2901-000297	FILTER-EMI ON BOARD;-3A,-,-,3.5x5,TP,-4	R414	2001-000734	R-CARBON(S);4.7KOHM,5%,1/8W,AA,TP,1.8X3.2MM
....4	LZ107	2701-000142	INDUCTOR-AXIAL;1uH,10%,2.5x3.4mm4	R415	2001-000734	R-CARBON(S);4.7KOHM,5%,1/8W,AA,TP,1.8X3.2MM
....4	LZ108	2701-000142	INDUCTOR-AXIAL;1uH,10%,2.5x3.4mm4	R416	2001-000006	R-CARBON;2.4KOHM,5%,1/8W,AA,TP,1.8X3.2MM
....4	LZ109	2701-000142	INDUCTOR-AXIAL;1uH,10%,2.5x3.4mm4	R417	2001-000515	R-CARBON;2200HM,5%,1/8W,AA,TP,1.8X3.2MM
....4	LZ110	2701-000142	INDUCTOR-AXIAL;1uH,10%,2.5x3.4mm4	R418	2001-000290	R-CARBON;10KOHM,5%,1/8W,AA,TP,1.8X3.2MM
....4	LZ111	2701-000142	INDUCTOR-AXIAL;1uH,10%,2.5x3.4mm4	R419	2001-000290	R-CARBON;10KOHM,5%,1/8W,AA,TP,1.8X3.2MM
....4	LZ112	2701-000142	INDUCTOR-AXIAL;1uH,10%,2.5x3.4mm4	R420	2001-000281	R-CARBON;1000HM,5%,1/8W,AA,TP,1.8X3.2MM
....4	PCB	AA41-00340C	PCB-SUB;PCL545R,CEM-1,1L,C,1.6T,330X245,4	R421	2003-002159	R-METAL OXIDE;1500HM,5%,1W,AG,TP,4.3X12M
....4	Q301	0501-000389	TR-SMALL SIGNAL;KSC815,NPN,400mW,TO-92,T4	R422	2001-000028	R-CARBON(S);1000HM,5%,1/2W,AA,TP,2.4x6.4
....4	Q350	0501-000389	TR-SMALL SIGNAL;KSC815,NPN,400mW,TO-92,T4	R423	2001-000613	R-CARBON;3.9KOHM,5%,1/2W,AF,TP,2.5x6.5
....4	Q351	0501-000389	TR-SMALL SIGNAL;KSC815,NPN,400mW,TO-92,T4	R424	2008-000205	R-FUSIBLE(S);10ohm,5%,1/2W,AF,TP,2.5x6.5
....4	Q352	0501-000366	TR-SMALL SIGNAL;KSC2330-Y,NPN,1W,TO-92L,4	R425	2003-000417	R-METAL OXIDE(S);1.2Kohm,5%,3W,AA,TP,6x1
....4	Q381	0501-000389	TR-SMALL SIGNAL;KSC815,NPN,400mW,TO-92,T4	R426	2003-002153	R-METAL OXIDE;4.7OHM,5%,2W,AG,TP,6X16MM
....4	Q382	0501-000389	TR-SMALL SIGNAL;KSC815,NPN,400mW,TO-92,T4	R427	2003-002279	R-METAL OXIDE(S);1.20HM,5%,2W,AG,TP,5.6X
....4	Q401	0501-000389	TR-SMALL SIGNAL;KSC815,NPN,400mW,TO-92,T4	R427A	2003-002279	R-METAL OXIDE(S);1.20HM,5%,2W,AG,TP,5.6X
....4	Q402	0501-000389	TR-SMALL SIGNAL;KSC815,NPN,400mW,TO-92,T4	R428	2002-001017	R-COMPOSITION;1Kohm,10%,1/2W,AA,TP,3.7x9
....4	Q421	0501-000389	TR-SMALL SIGNAL;KSC815,NPN,400mW,TO-92,T4	R428A	2002-001017	R-COMPOSITION;1Kohm,10%,1/2W,AA,TP,3.7x9
....4	Q422	0505-000156	FET-SILICON;IRF620,N,200V,5A,0.8ohm,50W,4	R429	2003-000586	R-METAL OXIDE(S);22Kohm,5%,2W,AF,TP,4x12
....4	Q432	0501-000283	TR-SMALL SIGNAL;KSA539,PNP,400mW,TO-92,T4	R430	2003-000586	R-METAL OXIDE(S);22Kohm,5%,2W,AF,TP,4x12
....4	Q435	0501-000369	TR-SMALL SIGNAL;KSC2331-Y,NPN,1000mW,TO-4	R432	2001-001144	R-CARBON(S);4.7KOHM,5%,1/2W,AA,TP,2.4x6.4
....4	Q436	0501-000389	TR-SMALL SIGNAL;KSC815,NPN,400mW,TO-92,T4	R433	2001-001155	R-CARBON(S);5.6KOHM,5%,1/2W,AA,TP,2.4x6.4
....4	Q451	0501-000389	TR-SMALL SIGNAL;KSC815,NPN,400mW,TO-92,T4	R434	2001-001093	R-CARBON(S);2.2KOHM,5%,1/2W,AA,TP,2.4x6.4
....4	Q461	0501-000389	TR-SMALL SIGNAL;KSC815,NPN,400mW,TO-92,T4	R435	2001-001107	R-CARBON(S);220ohm,5%,1/2W,AA,TP,2.4x6.4
....4	Q471	0501-000389	TR-SMALL SIGNAL;KSC815,NPN,400mW,TO-92,T4	R436	2001-001182	R-CARBON(S);7.5KOHM,5%,1/2W,AA,TP,2.4x6.4
....4	Q472	0505-000156	FET-SILICON;IRF620,N,200V,5A,0.8ohm,50W,4	R437	2008-001087	R-FUSIBLE(S);1.8ohm,5%,2W,AG,TP,3.9x12mm
....4	Q474	0501-000389	TR-SMALL SIGNAL;KSC815,NPN,400mW,TO-92,T4	R438	2001-000085	R-CARBON(S);100KOHM,5%,1/2W,AA,TP,2.4x6.4
....4	Q481	0501-000389	TR-SMALL SIGNAL;KSC815,NPN,400mW,TO-92,T4	R439	2001-000085	R-CARBON(S);100KOHM,5%,1/2W,AA,TP,2.4x6.4
....4	Q482	0501-000283	TR-SMALL SIGNAL;KSA539,PNP,400mW,TO-92,T4	R440	2008-000282	R-FUSIBLE;0.47ohm,5%,1W,AA,TP,3.9x12mm
....4	QR401S	0501-000283	TR-SMALL SIGNAL;KSA539,PNP,400mW,TO-92,T4	R441	2008-000253	R-FUSIBLE(S);0.47ohm,5%,1W,AF,TP,3.9x10mm
....4	QS801	0501-000369	TR-SMALL SIGNAL;KSC2331-Y,NPN,1000mW,TO-4	R442	2008-000253	R-FUSIBLE(S);0.47ohm,5%,1W,AF,TP,3.9x10mm
....4	R301	2004-001897	R-METAL(S);43.2Kohm,1%,1/2W,AA,TP,2.5x6.44	R442A	2008-000253	R-FUSIBLE(S);0.47ohm,5%,1W,AF,TP,3.9x10mm
....4	R302	2004-001897	R-METAL(S);43.2Kohm,1%,1/2W,AA,TP,2.5x6.44	R443	2003-002156	R-METAL OXIDE;5600HM,5%,2W,AG,TP,6X16MM
....4	R303	2004-001984	R-METAL(S);26.7Kohm,1%,1/2W,AA,TP,2.4x6.44	R443A	2003-002156	R-METAL OXIDE;5600HM,5%,2W,AG,TP,6X16MM
....4	R305	2004-001984	R-METAL(S);26.7Kohm,1%,1/2W,AA,TP,2.4x6.44	R444	2003-000995	R-METAL OXIDE(S);3.3Kohm,5%,2W,AF,TP,3.9
....4	R306	2003-002129	R-METAL OXIDE(S);3.9ohm,5%,2W,AF,TP,3.9x4	R445	2008-000253	R-FUSIBLE(S);0.47ohm,5%,1W,AF,TP,3.9x10mm
....4	R307	2003-002129	R-METAL OXIDE(S);3.9ohm,5%,2W,AF,TP,3.9x4	R446	2001-000734	R-CARBON;4.7KOHM,5%,1/8W,AA,TP,1.8X3.2MM
....4	R308	2001-000016	R-CARBON(S);10HM,5%,1/2W,AA,TP,2.4x6.4MM4	R447	2008-000253	R-FUSIBLE(S);0.47ohm,5%,1W,AF,TP,3.9x10mm
....4	R310	2003-002009	R-METAL OXIDE(S);390ohm,5%,2W,AF,TP,3.9x4	R448	2001-000258	R-CARBON;1.8KOHM,5%,1/8W,AA,TP,1.8X3.2MM
....4	R312	2001-000290	R-CARBON;10KOHM,5%,1/8W,AA,TP,1.8X3.2MM4	R449	2008-000253	R-FUSIBLE(S);0.47ohm,5%,1W,AF,TP,3.9x10mm
....4	R313	2001-000761	R-CARBON;430OHM,5%,1/8W,AA,TP,1.8X3.2MM4	R454	2001-000761	R-CARBON;4300HM,5%,1/8W,AA,TP,1.8X3.2MM
....4	R314	2001-000761	R-CARBON;430OHM,5%,1/8W,AA,TP,1.8X3.2MM4	R455	2001-000761	R-CARBON;4300HM,5%,1/8W,AA,TP,1.8X3.2MM
....4	R332	2001-001107	R-CARBON(S);220ohm,5%,1/2W,AA,TP,2.4x6.44	R456	2001-000761	R-CARBON;4300HM,5%,1/8W,AA,TP,1.8X3.2MM
....4	R333	2001-001107	R-CARBON(S);220ohm,5%,1/2W,AA,TP,2.4x6.44	R458	2001-000577	R-CARBON;2KOHM,5%,1/8W,AA,TP,1.8X3.2MM
....4	R334	2001-001107	R-CARBON(S);220ohm,5%,1/2W,AA,TP,2.4x6.44	R459	2001-001192	R-CARBON(S);8200HM,5%,1/2W,AA,TP,2.4x6.4
....4	R350	2001-000878	R-CARBON;6.2KOHM,5%,1/8W,AA,TP,1.8X3.2MM4	R460	2003-002044	R-METAL OXIDE(S);100ohm,5%,1W,AF,TP,2.5x
....4	R351	2001-000008	R-CARBON;15KOHM,5%,1/8W,AA,TP,1.8X3.2MM4	R461	2001-000613	R-CARBON;3.9KOHM,5%,1/8W,AA,TP,1.8X3.2MM
....4	R352	2001-000837	R-CARBON;5.1KOHM,5%,1/8W,AA,TP,1.8X3.2MM4	R462	2008-001145	R-FUSIBLE;4.7OHM,5%,1/2W,AF,TP,2.5x6.5MM
....4	R353	2001-000660	R-CARBON;33KOHM,5%,1/8W,AA,TP,1.8X3.2MM4	R463	2003-001024	R-METAL OXIDE(S);150ohm,5%,2W,AF,TP,3.9x
....4	R354	2001-000734	R-CARBON;4.7KOHM,5%,1/8W,AA,TP,1.8X3.2MM4	R464	2003-002158	R-METAL OXIDE;0.680HM,5%,1W,AG,TP,4.3X12
....4	R355	2001-000857	R-CARBON;560OHM,5%,1/8W,AA,TP,1.8X3.2MM4	R465	2008-000253	R-FUSIBLE(S);0.47ohm,5%,1W,AF,TP,3.9x10mm
....4	R356	2001-000591	R-CARBON;3.3KOHM,5%,1/8W,AA,TP,1.8X3.2MM4	R466	2004-001386	R-METAL(S);16.9Kohm,1%,1/2W,AA,TP,2.4x6.4
....4	R357	2001-000591	R-CARBON;3.3KOHM,5%,1/8W,AA,TP,1.8X3.2MM4	R467	2004-001986	R-METAL(S);35.7Kohm,1%,1/2W,AA,TP,2.4x6.4
....4	R358	2001-000857	R-CARBON;560OHM,5%,1/8W,AA,TP,1.8X3.2MM4	R468	2001-001122	R-CARBON(S);3.9KOHM,5%,1/2W,AA,TP,2.4x6.4
....4	R359	2001-000109	R-CARBON(S);470OHM,5%,1/2W,AA,TP,2.4x6.44	R469	2001-001088	R-CARBON(S);1KOHM,5%,1/2W,AA,TP,2.4x6.4MM
....4	R360	2001-000723	R-CARBON;4.3KOHM,5%,1/8W,AA,TP,1.8X3.2MM4	R470	2001-000028	R-CARBON(S);1000HM,5%,1/2W,AA,TP,2.4x6.4
....4	R361	2004-001395	R-METAL(S);330Kohm,2%,1/2W,AA,TP,2.4x6.44	R471	2004-002011	R-METAL(S);110Kohm,1%,1/2W,AA,TP,2.4x6.4
....4	R362	2004-001395	R-METAL(S);330Kohm,2%,1/2W,AA,TP,2.4x6.44	R472	2008-000252	R-FUSIBLE(S);0.47ohm,10%,1/2W,AF,TP,2.5x
....4	R363	2004-001395	R-METAL(S);330Kohm,2%,1/2W,AA,TP,2.4x6.44	R473	2004-001395	R-METAL(S);330Kohm,2%,1/2W,AA,TP,2.4x6.4
....4	R364	2004-001395	R-METAL(S);330Kohm,2%,1/2W,AA,TP,2.4x6.44	R474	2001-000009	R-CARBON;20KOHM,5%,1/8W,AA,TP,1.8X3.2MM
....4	R365	2004-001395	R-METAL(S);330Kohm,2%,1/2W,AA,TP,2.4x6.44	R475	2001-000812	R-CARBON;5.6KOHM,5%,1/8W,AA,TP,1.8X3.2MM
....4	R366	2002-001006	R-COMPOSITION;4.7KOHM,15%,1/2W,AA,TP,3.74	R482	2001-001031	R-CARBON;91KOHM,5%,1/8W,AA,TP,1.8X3.2MM
....4	R384	2001-001150	R-CARBON(S);47KOHM,5%,1/2W,AA,TP,2.4x6.44	R483	2001-000429	R-CARBON;1KOHM,5%,1/8W,AA,TP,1.8X3.2MM
....4	R385	2001-000577	R-CARBON;2KOHM,5%,1/8W,AA,TP,1.8X3.2MM4	R484	2001-000429	R-CARBON;1KOHM,5%,1/8W,AA,TP,1.8X3.2MM
....4	R386	2001-000786	R-CARBON;47KOHM,5%,1/8W,AA,TP,1.8X3.2MM4	R485	2008-001137	R-FUSIBLE(S);3.3ohm,5%,1W,AF,TP,3.9x10mm
....4	R387	2001-000009	R-CARBON;20KOHM,5%,1/8W,AA,TP,1.8X3.2MM4	R486	2008-001018	R-FUSIBLE(S);0.47ohm,10%,2W,AF,TP,3.9x10
....4	R388	2001-000522	R-CARBON;22KOHM,5%,1/8W,AA,TP,1.8X3.2MM4	R487	2001-000924	R-CARBON;6800HM,5%,1/8W,AA,TP,1.8X3.2MM
....4	R389	2001-000577	R-CARBON;2KOHM,5%,1/8W,AA,TP,1.8X3.2MM4	R488	2001-000273	R-CARBON;100KOHM,5%,1/8W,AA,TP,1.8X3.2MM
....4	R397	2001-000429	R-CARBON;1KOHM,5%,1/8W,AA,TP,1.8X3.2MM4	R489	2001-000800	R-CARBON;5.1KOHM,5%,1/8W,AA,TP,1.8X3.2MM
....4	R405	2009-001109	R-TEMPERATURE;240ohm,5%,1/4W,AA,TP,2.3x64	R490	2001-000800	R-CARBON;5.1KOHM,5%,1/8W,AA,TP,1.8X3.2MM
....4	R406	2004-001983	R-METAL(S);2.49Kohm,1%,1/2W,AA,TP,2.4x6.44	R491	2001-000745	R-CARBON;4.7OHM,5%,1/8W,AA,TP,1.8X3.2MM
....4	R407	2004-001897	R-METAL(S);43.2Kohm,1%,1/2W,AA,TP,2.5x6.44	R492	2001-000508	R-CARBON;220KOHM,5%,1/8W,AA,TP,1.8X3.2MM

Electrical Parts List

Loc. No.	Code No.	Description ; Specification	Remark	Loc. No.	Code No.	Description ; Specification	Remark
....4	C765	2401-000665	C-AL;2.2uF,20%,50V,GP,TP;3.5x5,55	Q706	0501-000727	TR-SMALL SIGNAL;BC848C,NPN,310mW,SOT-23,
....4	C766	2401-000665	C-AL;2.2uF,20%,50V,GP,TP;3.5x5,55	Q707	0501-000727	TR-SMALL SIGNAL;BC848C,NPN,310mW,SOT-23,
....4	C767	2401-000665	C-AL;2.2uF,20%,50V,GP,TP;3.5x5,55	Q711	0501-000727	TR-SMALL SIGNAL;BC848C,NPN,310mW,SOT-23,
....4	C780	2401-002009	C-AL;100uF,20%,16V,GP,TP;6.3x7,55	Q712	0501-000727	TR-SMALL SIGNAL;BC848C,NPN,310mW,SOT-23,
....4	CD01	2401-002183	C-AL;220uF,20%,16V,GP,TP;8x9,5mm5	Q714	0501-000727	TR-SMALL SIGNAL;BC848C,NPN,310mW,SOT-23,
....4	CD03	2401-000471	C-AL;10uF,20%,50V,BP,TP;5x11,5mm5	QD01	0501-000344	TR-SMALL SIGNAL;KSC1623-G,NPN,200mW,SOT-
....4	CD06	2401-000471	C-AL;10uF,20%,50V,BP,TP;5x11,5mm5	QD02	0501-000344	TR-SMALL SIGNAL;KSC1623-G,NPN,200mW,SOT-
....4	CD11	2401-000404	C-AL;10uF,20%,16V,BP,TP;5x11,55	QD03	0501-000344	TR-SMALL SIGNAL;KSC1623-G,NPN,200mW,SOT-
....4	CD12	2401-000404	C-AL;10uF,20%,16V,BP,TP;5x11,55	QD04	0501-000344	TR-SMALL SIGNAL;KSC1623-G,NPN,200mW,SOT-
....4	CD16	2401-000471	C-AL;10uF,20%,50V,BP,TP;5x11,5mm5	R701	2007-001167	R-CHIP;75ohm,5%,1/16W,DA,TP,1608
....4	CD17	2401-000471	C-AL;10uF,20%,50V,BP,TP;5x11,5mm5	R702	2007-000078	R-CHIP;1Kohm,5%,1/16W,DA,TP,1608
....4	L701	2702-001094	INDUCTOR-RADIAL;10uH,10%,6x4mm5	R703	2007-001167	R-CHIP;75ohm,5%,1/16W,DA,TP,1608
....4	L702	2702-001094	INDUCTOR-RADIAL;10uH,10%,6x4mm5	R704	2007-001157	R-CHIP;75ohm,5%,1/16W,DA,TP,1608
....4	L711	2702-001094	INDUCTOR-RADIAL;10uH,10%,6x4mm5	R705	2007-001167	R-CHIP;75ohm,5%,1/16W,DA,TP,1608
....4	L720	2702-001094	INDUCTOR-RADIAL;10uH,10%,6x4mm5	R706	2007-001167	R-CHIP;75ohm,5%,1/16W,DA,TP,1608
....4	L721	2702-001094	INDUCTOR-RADIAL;10uH,10%,6x4mm5	R707	2007-000084	R-CHIP;4.7Kohm,5%,1/16W,DA,TP,1608
....4	L722	2702-001094	INDUCTOR-RADIAL;10uH,10%,6x4mm5	R708	2007-000074	R-CHIP;100ohm,5%,1/16W,DA,TP,1608
....4	L723	2702-001094	INDUCTOR-RADIAL;10uH,10%,6x4mm5	R709	2007-000074	R-CHIP;100ohm,5%,1/16W,DA,TP,1608
....4	L724	2702-001094	INDUCTOR-RADIAL;10uH,10%,6x4mm5	R710	2007-000074	R-CHIP;100ohm,5%,1/16W,DA,TP,1608
....4	L725	2702-001094	INDUCTOR-RADIAL;10uH,10%,6x4mm5	R712	2007-000074	R-CHIP;100ohm,5%,1/16W,DA,TP,1608
....4	L726	2702-001094	INDUCTOR-RADIAL;10uH,10%,6x4mm5	R713	2007-000074	R-CHIP;100ohm,5%,1/16W,DA,TP,1608
....4	LD01	2901-000297	FILTER-EMI ON BOARD;-3A,-,-,3.5x5,TP-5	R714	2007-000074	R-CHIP;100ohm,5%,1/16W,DA,TP,1608
....4	LD02	2901-000297	FILTER-EMI ON BOARD;-3A,-,-,3.5x5,TP-5	R715	2007-001167	R-CHIP;75ohm,5%,1/16W,DA,TP,1608
....4	LD04	2901-000297	FILTER-EMI ON BOARD;-3A,-,-,3.5x5,TP-5	R716	2007-001167	R-CHIP;75ohm,5%,1/16W,DA,TP,1608
....4	RN701	2011-000160	R-NETWORK;10Kohm,5%,1/8W,A,SIP,9P,TP5	R717	2007-001167	R-CHIP;75ohm,5%,1/16W,DA,TP,1608
....4	AA97-06154A	ASSY SMD SUB;HCL1552W,P54A	S.N.A5	R718	2007-001167	R-CHIP;75ohm,5%,1/16W,DA,TP,1608
....5	C702	2203-000181	C-CERAMIC,CHIP;100nF,+80-20%,25V,Y5V,TP,5	R719	2007-001167	R-CHIP;75ohm,5%,1/16W,DA,TP,1608
....5	C704	2203-000815	C-CERAMIC,CHIP;0.033nF,5%,50V,NPO,TP,1605	R720	2007-000078	R-CHIP;1Kohm,5%,1/16W,DA,TP,1608
....5	C705	2203-000815	C-CERAMIC,CHIP;0.033nF,5%,50V,NPO,TP,1605	R721	2007-000074	R-CHIP;100ohm,5%,1/16W,DA,TP,1608
....5	C706	2203-000975	C-CERAMIC,CHIP;47nF,10%,25V,X7R,TP,1608,5	R722	2007-001167	R-CHIP;75ohm,5%,1/16W,DA,TP,1608
....5	C707	2203-000975	C-CERAMIC,CHIP;47nF,10%,25V,X7R,TP,1608,5	R723	2007-000074	R-CHIP;100ohm,5%,1/16W,DA,TP,1608
....5	C708	2203-000975	C-CERAMIC,CHIP;47nF,10%,25V,X7R,TP,1608,5	R724	2007-000074	R-CHIP;100ohm,5%,1/16W,DA,TP,1608
....5	C709	2203-000975	C-CERAMIC,CHIP;47nF,10%,25V,X7R,TP,1608,5	R725	2007-000074	R-CHIP;100ohm,5%,1/16W,DA,TP,1608
....5	C710	2203-000975	C-CERAMIC,CHIP;47nF,10%,25V,X7R,TP,1608,5	R726	2007-001167	R-CHIP;75ohm,5%,1/16W,DA,TP,1608
....5	C711	2203-000975	C-CERAMIC,CHIP;47nF,10%,25V,X7R,TP,1608,5	R727	2007-001167	R-CHIP;75ohm,5%,1/16W,DA,TP,1608
....5	C712	2203-000181	C-CERAMIC,CHIP;100nF,+80-20%,25V,Y5V,TP,5	R728	2007-001167	R-CHIP;75ohm,5%,1/16W,DA,TP,1608
....5	C713	2203-000975	C-CERAMIC,CHIP;47nF,10%,25V,X7R,TP,1608,5	R729	2007-001167	R-CHIP;75ohm,5%,1/16W,DA,TP,1608
....5	C714	2203-000975	C-CERAMIC,CHIP;47nF,10%,25V,X7R,TP,1608,5	R734	2007-000097	R-CHIP;47Kohm,5%,1/16W,DA,TP,1608
....5	C715	2203-000975	C-CERAMIC,CHIP;47nF,10%,25V,X7R,TP,1608,5	R735	2007-000097	R-CHIP;47Kohm,5%,1/16W,DA,TP,1608
....5	C717	2203-000181	C-CERAMIC,CHIP;100nF,+80-20%,25V,Y5V,TP,5	R740	2007-000078	R-CHIP;1Kohm,5%,1/16W,DA,TP,1608
....5	C718	2203-000975	C-CERAMIC,CHIP;47nF,10%,25V,X7R,TP,1608,5	R741	2007-000078	R-CHIP;1Kohm,5%,1/16W,DA,TP,1608
....5	C719	2203-000975	C-CERAMIC,CHIP;47nF,10%,25V,X7R,TP,1608,5	R742	2007-000078	R-CHIP;1Kohm,5%,1/16W,DA,TP,1608
....5	C720	2203-000975	C-CERAMIC,CHIP;47nF,10%,25V,X7R,TP,1608,5	R743	2007-000078	R-CHIP;1Kohm,5%,1/16W,DA,TP,1608
....5	C721	2203-000975	C-CERAMIC,CHIP;47nF,10%,25V,X7R,TP,1608,5	R744	2007-000078	R-CHIP;1Kohm,5%,1/16W,DA,TP,1608
....5	C722	2203-000975	C-CERAMIC,CHIP;47nF,10%,25V,X7R,TP,1608,5	R745	2007-000078	R-CHIP;1Kohm,5%,1/16W,DA,TP,1608
....5	C723	2203-000181	C-CERAMIC,CHIP;100nF,+80-20%,25V,Y5V,TP,5	R748	2007-000084	R-CHIP;4.7Kohm,5%,1/16W,DA,TP,1608
....5	C724	2203-000975	C-CERAMIC,CHIP;47nF,10%,25V,X7R,TP,1608,5	R749	2007-000100	R-CHIP;68Kohm,5%,1/16W,DA,TP,1608
....5	C727	2203-000975	C-CERAMIC,CHIP;47nF,10%,25V,X7R,TP,1608,5	R750	2007-000100	R-CHIP;68Kohm,5%,1/16W,DA,TP,1608
....5	C732	2203-000440	C-CERAMIC,CHIP;1nF,10%,50V,X7R,TP,1608,-5	R751	2007-000100	R-CHIP;68Kohm,5%,1/16W,DA,TP,1608
....5	C733	2203-000440	C-CERAMIC,CHIP;1nF,10%,50V,X7R,TP,1608,-5	R752	2007-000100	R-CHIP;68Kohm,5%,1/16W,DA,TP,1608
....5	C734	2203-000440	C-CERAMIC,CHIP;1nF,10%,50V,X7R,TP,1608,-5	R753	2007-000329	R-CHIP;11Kohm,5%,1/16W,DA,TP,1608
....5	C735	2203-000440	C-CERAMIC,CHIP;1nF,10%,50V,X7R,TP,1608,-5	R754	2007-000329	R-CHIP;11Kohm,5%,1/16W,DA,TP,1608
....5	C736	2203-000440	C-CERAMIC,CHIP;1nF,10%,50V,X7R,TP,1608,-5	R755	2007-000100	R-CHIP;68Kohm,5%,1/16W,DA,TP,1608
....5	C737	2203-000440	C-CERAMIC,CHIP;1nF,10%,50V,X7R,TP,1608,-5	R756	2007-000100	R-CHIP;68Kohm,5%,1/16W,DA,TP,1608
....5	C739	2203-000181	C-CERAMIC,CHIP;100nF,+80-20%,25V,Y5V,TP,5	R757	2007-000100	R-CHIP;68Kohm,5%,1/16W,DA,TP,1608
....5	C741	2203-000181	C-CERAMIC,CHIP;100nF,+80-20%,25V,Y5V,TP,5	R758	2007-000100	R-CHIP;68Kohm,5%,1/16W,DA,TP,1608
....5	C768	2203-000975	C-CERAMIC,CHIP;47nF,10%,25V,X7R,TP,1608,5	R759	2007-000084	R-CHIP;4.7Kohm,5%,1/16W,DA,TP,1608
....5	C769	2203-000975	C-CERAMIC,CHIP;47nF,10%,25V,X7R,TP,1608,5	R760	2007-000074	R-CHIP;100ohm,5%,1/16W,DA,TP,1608
....5	CD02	2203-000181	C-CERAMIC,CHIP;100nF,+80-20%,25V,Y5V,TP,5	R761	2007-000122	R-CHIP;1.2Kohm,5%,1/16W,DA,TP,1608
....5	CD04	2203-000181	C-CERAMIC,CHIP;100nF,+80-20%,25V,Y5V,TP,5	R762	2007-000074	R-CHIP;100ohm,5%,1/16W,DA,TP,1608
....5	CD05	2203-000681	C-CERAMIC,CHIP;0.027nF,5%,50V,NPO,TP,1605	R763	2007-000074	R-CHIP;100ohm,5%,1/16W,DA,TP,1608
....5	CD07	2203-000181	C-CERAMIC,CHIP;100nF,+80-20%,25V,Y5V,TP,5	R764	2007-000122	R-CHIP;1.2Kohm,5%,1/16W,DA,TP,1608
....5	CD08	2203-000181	C-CERAMIC,CHIP;100nF,+80-20%,25V,Y5V,TP,5	R765	2007-000074	R-CHIP;100ohm,5%,1/16W,DA,TP,1608
....5	CD09	2203-000440	C-CERAMIC,CHIP;1nF,10%,50V,X7R,TP,1608,-5	R766	2007-000074	R-CHIP;100ohm,5%,1/16W,DA,TP,1608
....5	CD10	2203-000257	C-CERAMIC,CHIP;10nF,10%,50V,X7R,TP,16085	R767	2007-000074	R-CHIP;100ohm,5%,1/16W,DA,TP,1608
....5	CD13	2203-000181	C-CERAMIC,CHIP;100nF,+80-20%,25V,Y5V,TP,5	R768	2007-000074	R-CHIP;100ohm,5%,1/16W,DA,TP,1608
....5	CD14	2203-000181	C-CERAMIC,CHIP;100nF,+80-20%,25V,Y5V,TP,5	R769	2007-000074	R-CHIP;100ohm,5%,1/16W,DA,TP,1608
....5	CD15	2203-000181	C-CERAMIC,CHIP;100nF,+80-20%,25V,Y5V,TP,5	R774	2007-001167	R-CHIP;75ohm,5%,1/16W,DA,TP,1608
....5	CD18	2203-000681	C-CERAMIC,CHIP;0.027nF,5%,50V,NPO,TP,1605	R775	2007-000070	R-CHIP;0ohm,5%,1/16W,DA,TP,1608
....5	IC701	1001-001030	IC-VIDEO SWITCH;TDA6920X,-,SOP,28P,300MI5	R776	2007-001167	R-CHIP;75ohm,5%,1/16W,DA,TP,1608
....5	IC702	1001-001030	IC-VIDEO SWITCH;TDA6920X,-,SOP,28P,300MI5	R777	2007-001167	R-CHIP;75ohm,5%,1/16W,DA,TP,1608
....5	PCB	AA41-00343A	PCB-TERMINAL;PCL545R,FR,4.2L,A,1.6T,180X5	R779	2007-001167	R-CHIP;75ohm,5%,1/16W,DA,TP,1608
....5	Q701	0501-000727	TR-SMALL SIGNAL;BC848C,NPN,310mW,SOT-23,5	R780	2007-000078	R-CHIP;1Kohm,5%,1/16W,DA,TP,1608
....5	Q702	0501-000727	TR-SMALL SIGNAL;BC848C,NPN,310mW,SOT-23,5	R788	2007-000078	R-CHIP;1Kohm,5%,1/16W,DA,TP,1608
....5	Q703	0501-000727	TR-SMALL SIGNAL;BC848C,NPN,310mW,SOT-23,5	R791	2007-000074	R-CHIP;100ohm,5%,1/16W,DA,TP,1608
....5	Q704	0501-000727	TR-SMALL SIGNAL;BC848C,NPN,310mW,SOT-23,5	R792	2007-000074	R-CHIP;100ohm,5%,1/16W,DA,TP,1608
....5	Q705	0501-000727	TR-SMALL SIGNAL;BC848C,NPN,310mW,SOT-23,5	R793	2007-000074	R-CHIP;100ohm,5%,1/16W,DA,TP,1608

Electrical Parts List

Loc. No.	Code No.	Description ; Specification	Remark	Loc. No.	Code No.	Description ; Specification	Remark
....4	C540	2401-000430	C-AL;10uF,20%,250V,GP,TP;10x16mm,5m4	R508	2003-000738	R-METAL OXIDE(S);56Kohm,5%,2W,AA,TP,4x12
....4	C541	2201-000723	C-CERAMIC,DISC;4.7nF,20%,3KV,Y5U,TP,16x54	R509	2001-000734	R-CARBON;4.7KOHM,5%,1/8W,AA,TP,1.8X3.2MM
....4	C542	2201-000983	C-CERAMIC,DISC;1nF,10%,2KV,Y5P,TP;9x5,74	R510	2001-001000	R-CARBON;82KOHM,5%,1/8W,AA,TP,1.8X3.2MM
....4	C543	2201-000599	C-CERAMIC,DISC;0.56nF,10%,500V,Y5P,TP,54	R511	2001-000313	R-CARBON;11KOHM,5%,1/8W,AA,TP,1.8X3.2MM
....4	C562	2401-000027	C-AL;4.7uF,20%,50V,GP,TP;5x11,54	R513	2008-001129	R-FUSIBLE(S);1.5ohm,5%,1/2W,AF,TP,2.5x6
....4	C563	2201-000119	C-CERAMIC,DISC;100nF,+80-20%,50V,Y5V,TP,4	R514	2001-001122	R-CARBON(S);3.9KOHM,5%,1/2W,AA,TP,2.4X6
....4	C564	2401-001537	C-AL;47uF,20%,25V,GP,TP;6.3x7mm,5mm4	R515	2002-001017	R-COMPOSITION;1Kohm,10%,1/2W,AA,TP,3.7x9
....4	C565	2305-000149	C-FILM,MPEF;100nF,5%,100V,TP,12x12.5x6.54	R516	2001-000009	R-CARBON;20KOHM,5%,1/8W,AA,TP,1.8X3.2MM
....4	C566	2401-000430	C-AL;10uF,20%,250V,GP,TP;10x16mm,5m4	R517	2001-000085	R-CARBON(S);100KOHM,5%,1/2W,AA,TP,2.4X6
....4	C567	2305-000154	C-FILM,MPEF;100nF,5%,400V,TP,21.5x6.5x114	R518	2002-001021	R-COMPOSITION;560KOHM,10%,1/2W,AA,TP,3.7
....4	C570	2401-000430	C-AL;10uF,20%,250V,GP,TP;10x16mm,5m4	R519	2002-001021	R-COMPOSITION;560KOHM,10%,1/2W,AA,TP,3.7
....4	C571	2201-000723	C-CERAMIC,DISC;4.7nF,20%,3KV,Y5U,TP,16x54	R520	2001-000066	R-CARBON(S);10KOHM,5%,1/2W,AA,TP,2.4X6.4
....4	C572	2201-000983	C-CERAMIC,DISC;1nF,10%,2KV,Y5P,TP;9x5,74	R521	2001-001052	R-CARBON(S);1.5MOHM,5%,1/2W,AA,TP,2.4X6
....4	C573	2201-000599	C-CERAMIC,DISC;0.56nF,10%,500V,Y5P,TP,54	R522	2002-001006	R-COMPOSITION;4.7KOHM,15%,1/2W,AA,TP,3.7
....4	CN401	3711-002645	CONNECTOR-HEADER;BOX,6P,1R,2.5mm,STRAIGH4	R523	2002-001006	R-COMPOSITION;4.7KOHM,15%,1/2W,AA,TP,3.7
....4	D501	0402-000546	DIODE-RECTIFIER;TVR10G,400V,1.0A,DO-41,T4	R524	2001-000028	R-CARBON(S);100OHM,5%,1/2W,AA,TP,2.4X6.4
....4	D502	0402-000546	DIODE-RECTIFIER;TVR10G,400V,1.0A,DO-41,T4	R526	2001-000539	R-CARBON;24KOHM,5%,1/8W,AA,TP,1.8X3.2MM
....4	D503	0402-000493	DIODE-RECTIFIER;1R5GU41,400V,1.5A,DO-15L4	R527	2001-000577	R-CARBON;2KOHM,5%,1/8W,AA,TP,1.8X3.2MM
....4	D504	0401-000005	DIODE-SWITCHING;1N4148,100V,200mA,DO-35,4	R528	2001-001015	R-CARBON;9.1KOHM,5%,1/8W,AA,TP,1.8X3.2MM
....4	D509	0401-000005	DIODE-SWITCHING;1N4148,100V,200mA,DO-35,4	R529	2002-001021	R-COMPOSITION;560KOHM,10%,1/2W,AA,TP,3.7
....4	D510	0401-000005	DIODE-SWITCHING;1N4148,100V,200mA,DO-35,4	R532	2001-000995	R-CARBON;820OHM,5%,1/8W,AA,TP,1.8X3.2MM
....4	D531	0402-000546	DIODE-RECTIFIER;TVR10G,400V,1.0A,DO-41,T4	R533	2001-000429	R-CARBON;1KOHM,5%,1/8W,AA,TP,1.8X3.2MM
....4	D532	0402-000546	DIODE-RECTIFIER;TVR10G,400V,1.0A,DO-41,T4	R536	2001-001049	R-CARBON(S);1.3KOHM,5%,1/2W,AA,TP,2.4X6
....4	D533	0402-000493	DIODE-RECTIFIER;1R5GU41,400V,1.5A,DO-15L4	R537	2001-001088	R-CARBON(S);1KOHM,5%,1/2W,AA,TP,2.4X6.4M
....4	D561	0402-000546	DIODE-RECTIFIER;TVR10G,400V,1.0A,DO-41,T4	R538	2003-000738	R-METAL OXIDE(S);56Kohm,5%,2W,AA,TP,4x12
....4	D562	0402-000546	DIODE-RECTIFIER;TVR10G,400V,1.0A,DO-41,T4	R540	2001-000837	R-CARBON;51KOHM,5%,1/8W,AA,TP,1.8X3.2MM
....4	D563	0402-000493	DIODE-RECTIFIER;1R5GU41,400V,1.5A,DO-15L4	R541	2001-000009	R-CARBON;20KOHM,5%,1/8W,AA,TP,1.8X3.2MM
....4	DZ501	0403-000334	DIODE-ZENER;UZ2.7BSA,2.7V,2.54-2.75V,5004	R543	2008-001129	R-FUSIBLE(S);1.5ohm,5%,1/2W,AF,TP,2.5x6
....4	DZ502	0403-000508	DIODE-ZENER;MTZJ5.6B,5.6V,5.45-5.73V,5004	R544	2001-001122	R-CARBON(S);3.9KOHM,5%,1/2W,AA,TP,2.4X6
....4	DZ503	0403-000708	DIODE-ZENER;MTZJ13B,13V,12.55-13.21V,5004	R545	2002-001017	R-COMPOSITION;1Kohm,10%,1/2W,AA,TP,3.7x9
....4	DZ531	0403-000334	DIODE-ZENER;UZ2.7BSA,2.7V,2.54-2.75V,5004	R546	2001-000009	R-CARBON;20KOHM,5%,1/8W,AA,TP,1.8X3.2MM
....4	DZ532	0403-000508	DIODE-ZENER;MTZJ5.6B,5.6V,5.45-5.73V,5004	R547	2001-000085	R-CARBON(S);100KOHM,5%,1/2W,AA,TP,2.4X6
....4	DZ533	0403-000708	DIODE-ZENER;MTZJ13B,13V,12.55-13.21V,5004	R548	2002-001021	R-COMPOSITION;560KOHM,10%,1/2W,AA,TP,3.7
....4	DZ561	0403-000334	DIODE-ZENER;UZ2.7BSA,2.7V,2.54-2.75V,5004	R549	2002-001021	R-COMPOSITION;560KOHM,10%,1/2W,AA,TP,3.7
....4	DZ562	0403-000508	DIODE-ZENER;MTZJ5.6B,5.6V,5.45-5.73V,5004	R550	2001-000066	R-CARBON(S);10KOHM,5%,1/2W,AA,TP,2.4X6.4
....4	DZ563	0403-000708	DIODE-ZENER;MTZJ13B,13V,12.55-13.21V,5004	R551	2001-001052	R-CARBON(S);1.5MOHM,5%,1/2W,AA,TP,2.4X6
....4	EL503	AA60-40011B	EYELET;ID2.2,OD3.2,-,-,BSP,-	S.N.A	R552	2002-001006	R-COMPOSITION;4.7KOHM,15%,1/2W,AA,TP,3.7
....4	EL504	AA60-40011B	EYELET;ID2.2,OD3.2,-,-,BSP,-	S.N.A	R553	2002-001006	R-COMPOSITION;4.7KOHM,15%,1/2W,AA,TP,3.7
....4	EL505	AA60-40011B	EYELET;ID2.2,OD3.2,-,-,BSP,-	S.N.A	R554	2001-000028	R-CARBON(S);100OHM,5%,1/2W,AA,TP,2.4X6.4
....4	EL533	AA60-40011B	EYELET;ID2.2,OD3.2,-,-,BSP,-	S.N.A	R555	2001-000734	R-CARBON;4.7KOHM,5%,1/8W,AA,TP,1.8X3.2MM
....4	EL534	AA60-40011B	EYELET;ID2.2,OD3.2,-,-,BSP,-	S.N.A	R556	2001-000007	R-CARBON;3KOHM,5%,1/8W,AA,TP,1.8X3.2MM
....4	EL535	AA60-40011B	EYELET;ID2.2,OD3.2,-,-,BSP,-	S.N.A	R557	2001-000362	R-CARBON;150OHM,5%,1/8W,AA,TP,1.8X3.2MM
....4	EL563	AA60-40011B	EYELET;ID2.2,OD3.2,-,-,BSP,-	S.N.A	R559	2002-001015	R-COMPOSITION;47Kohm,5%,1/2W,AA,TP,3.7x9
....4	EL564	AA60-40011B	EYELET;ID2.2,OD3.2,-,-,BSP,-	S.N.A	R562	2001-000221	R-CARBON;1.2KOHM,5%,1/8W,AA,TP,1.8X3.2MM
....4	EL565	AA60-40011B	EYELET;ID2.2,OD3.2,-,-,BSP,-	S.N.A	R563	2001-000995	R-CARBON;820OHM,5%,1/8W,AA,TP,1.8X3.2MM
....4	GT501	AA60-40014A	PIN-GT,ASSY;1P,-,-,AUTO	S.N.A	R564	2001-000660	R-CARBON;33KOHM,5%,1/8W,AA,TP,1.8X3.2MM
....4	GT502	AA60-40014A	PIN-GT,ASSY;1P,-,-,AUTO	S.N.A	R566	2001-001049	R-CARBON(S);1.3KOHM,5%,1/2W,AA,TP,2.4X6
....4	GT503	AA60-40014A	PIN-GT,ASSY;1P,-,-,AUTO	S.N.A	R567	2001-001088	R-CARBON(S);1KOHM,5%,1/2W,AA,TP,2.4X6.4M
....4	GT504	AA60-40014A	PIN-GT,ASSY;1P,-,-,AUTO	S.N.A	R568	2001-000734	R-CARBON;4.7KOHM,5%,1/8W,AA,TP,1.8X3.2MM
....4	GT531	AA60-40014A	PIN-GT,ASSY;1P,-,-,AUTO	S.N.A	R569	2001-000472	R-CARBON;2.7KOHM,5%,1/8W,AA,TP,1.8X3.2MM
....4	GT532	AA60-40014A	PIN-GT,ASSY;1P,-,-,AUTO	S.N.A	R570	2001-000362	R-CARBON;150OHM,5%,1/8W,AA,TP,1.8X3.2MM
....4	GT533	AA60-40014A	PIN-GT,ASSY;1P,-,-,AUTO	S.N.A	R571	2001-000281	R-CARBON;100OHM,5%,1/8W,AA,TP,1.8X3.2MM
....4	GT534	AA60-40014A	PIN-GT,ASSY;1P,-,-,AUTO	S.N.A	R572	2003-000738	R-METAL OXIDE(S);56Kohm,5%,2W,AA,TP,4x12
....4	GT561	AA60-40014A	PIN-GT,ASSY;1P,-,-,AUTO	S.N.A	R573	2008-001129	R-FUSIBLE(S);1.5ohm,5%,1/2W,AF,TP,2.5x6
....4	GT562	AA60-40014A	PIN-GT,ASSY;1P,-,-,AUTO	S.N.A	R574	2001-001122	R-CARBON(S);3.9KOHM,5%,1/2W,AA,TP,2.4X6
....4	GT563	AA60-40014A	PIN-GT,ASSY;1P,-,-,AUTO	S.N.A	R575	2002-001017	R-COMPOSITION;1Kohm,10%,1/2W,AA,TP,3.7x9
....4	GT564	AA60-40014A	PIN-GT,ASSY;1P,-,-,AUTO	S.N.A	R576	2001-000009	R-CARBON;20KOHM,5%,1/8W,AA,TP,1.8X3.2MM
....4	GT565	AA60-40014A	PIN-GT,ASSY;1P,-,-,AUTO	S.N.A	R577	2001-000085	R-CARBON(S);100KOHM,5%,1/2W,AA,TP,2.4X6
....4	GT566	AA60-40014A	PIN-GT,ASSY;1P,-,-,AUTO	S.N.A	R578	2002-001021	R-COMPOSITION;560KOHM,10%,1/2W,AA,TP,3.7
....4	L501	2701-000114	INDUCTOR-AXIAL;10uH,10%,2.5x3.4mm4	R579	2002-001021	R-COMPOSITION;560KOHM,10%,1/2W,AA,TP,3.7
....4	L531	2701-000114	INDUCTOR-AXIAL;10uH,10%,2.5x3.4mm4	R580	2001-000066	R-CARBON(S);10KOHM,5%,1/2W,AA,TP,2.4X6.4
....4	L561	2701-000114	INDUCTOR-AXIAL;10uH,10%,2.5x3.4mm4	R581	2001-001052	R-CARBON(S);1.5MOHM,5%,1/2W,AA,TP,2.4X6
....4	PCB	AA41-00406B	PCB-CRT;PCL545R,FR-1,1L,B,1.6T,245X245,P	S.N.A	R582	2002-001006	R-COMPOSITION;4.7KOHM,15%,1/2W,AA,TP,3.7
....4	Q501	0502-000006	TR-POWER;KSC1507,NPN,15W,TO-220,TP,120-4	R583	2002-001006	R-COMPOSITION;4.7KOHM,15%,1/2W,AA,TP,3.7
....4	Q502	0501-000389	TR-SMALL SIGNAL;KSC815,NPN,400mW,TO-92,T4	R584	2001-000028	R-CARBON(S);100OHM,5%,1/2W,AA,TP,2.4X6.4
....4	Q504	0501-000283	TR-SMALL SIGNAL;KSA539,PNP,400mW,TO-92,T4	R589	2002-001015	R-COMPOSITION;47Kohm,5%,1/2W,AA,TP,3.7x9
....4	Q531	0502-000006	TR-POWER;KSC1507,NPN,15W,TO-220,TP,120-4	SG351	4715-001036	SURGE ABSORBER;500V,20%,-,-,TP
....4	Q533	0501-000283	TR-SMALL SIGNAL;KSA539,PNP,400mW,TO-92,T4	SG501	4715-001036	SURGE ABSORBER;500V,20%,-,-,TP
....4	Q561	0502-000006	TR-POWER;KSC1507,NPN,15W,TO-220,TP,120-4	SG503	4715-001036	SURGE ABSORBER;500V,20%,-,-,TP
....4	Q563	0501-000283	TR-SMALL SIGNAL;KSA539,PNP,400mW,TO-92,T4	SG533	4715-001036	SURGE ABSORBER;500V,20%,-,-,TP
....4	R500	2001-000613	R-CARBON;3.9KOHM,5%,1/8W,AA,TP,1.8X3.2MM4	SG561	4715-001036	SURGE ABSORBER;500V,20%,-,-,TP
....4	R502	2001-000995	R-CARBON;820OHM,5%,1/8W,AA,TP,1.8X3.2MM4	SG563	4715-001036	SURGE ABSORBER;500V,20%,-,-,TP
....4	R503	2001-000429	R-CARBON;1KOHM,5%,1/8W,AA,TP,1.8X3.2MM	..2	AA95-01797U	ASSY SUB-PCB,CONTROL;SVP-47W3HR,P54A,AA9	
....4	R504	2001-000006	R-CARBON;2.4KOHM,5%,1/8W,AA,TP,1.8X3.2MM	..3	CNW01	AA39-00223A	LEAD CONNECTOR ASSY;,11P67096-011,35155
....4	R505	2001-000362	R-CARBON;150OHM,5%,1/8W,AA,TP,1.8X3.2MM	..3	CNY01	3711-003353	CONNECTOR-HEADER;BOX,11P,1R,2.5mm,ANGLE
....4	R506	2001-001049	R-CARBON(S);1.3KOHM,5%,1/2W,AA,TP,2.4X6	..3	CNY02	3711-000447	CONNECTOR-HEADER;3WALL,3P,1R,2.5mm,ANGLE
....4	R507	2001-001088	R-CARBON(S);1KOHM,5%,1/2W,AA,TP,2.4X6.4M	..3	CNYW02	AA39-00259A	LEAD CONNECTOR ASSY;,UL1007#26,UL/CSA,3P

Loc. No.	Code No.	Description ; Specification	Remark	Loc. No.	Code No.	Description ; Specification	Remark
....4	EY172	AA60-40011A EYELET;ID2.0,OD2.8,-,-,BST,-	S.N.A4	Q801	0501-000389 TR-SMALL SIGNAL;KSC815,NPN,400mW,TO-92,T	
....4	EY173	AA60-40011A EYELET;ID2.0,OD2.8,-,-,BST,-	S.N.A4	R808	2001-000085 R-CARBON(S);100KOHM,5%,1/2W,AA,TP,2.4X6.	
....4	EY174	AA60-40011A EYELET;ID2.0,OD2.8,-,-,BST,-	S.N.A4	R808A	2001-000085 R-CARBON(S);100KOHM,5%,1/2W,AA,TP,2.4X6.	
....4	EY175	AA60-40011A EYELET;ID2.0,OD2.8,-,-,BST,-	S.N.A4	R812	2003-002170 R-METAL OXIDE(S);15Kohm,5%,2W,AG,TP,3.9x	
....4	EY176	AA60-40011A EYELET;ID2.0,OD2.8,-,-,BST,-	S.N.A4	R814	2003-002170 R-METAL OXIDE(S);15Kohm,5%,2W,AG,TP,3.9x	
....4	EY177	AA60-40011A EYELET;ID2.0,OD2.8,-,-,BST,-	S.N.A4	R815	2003-000512 R-METAL OXIDE(S);15Kohm,5%,3W,AA,TP,6x16	
....4	EY178	AA60-40011A EYELET;ID2.0,OD2.8,-,-,BST,-	S.N.A4	R815A	2003-000512 R-METAL OXIDE(S);15Kohm,5%,3W,AA,TP,6x16	
....4	EY179	AA60-40011A EYELET;ID2.0,OD2.8,-,-,BST,-	S.N.A4	R832	2001-001178 R-CARBON(S);680OHM,5%,1/2W,AA,TP,2.4X6.4	
....4	EY180	AA60-40011A EYELET;ID2.0,OD2.8,-,-,BST,-	S.N.A4	R834	2001-001097 R-CARBON(S);2.4KOHM,5%,1/2W,AA,TP,2.4X6.	
....4	EY181	AA60-40011A EYELET;ID2.0,OD2.8,-,-,BST,-	S.N.A4	R837	2001-001097 R-CARBON(S);2.4KOHM,5%,1/2W,AA,TP,2.4X6.	
....4	EY182	AA60-40011A EYELET;ID2.0,OD2.8,-,-,BST,-	S.N.A4	R838	2001-001097 R-CARBON(S);2.4KOHM,5%,1/2W,AA,TP,2.4X6.	
....4	EY183	AA60-40011A EYELET;ID2.0,OD2.8,-,-,BST,-	S.N.A4	R855	2001-001196 R-CARBON(S);9.1KOHM,5%,1/2W,AA,TP,2.4X6.	
....4	EY184	AA60-40011A EYELET;ID2.0,OD2.8,-,-,BST,-	S.N.A4	R871	2001-001088 R-CARBON(S);1KOHM,5%,1/2W,AA,TP,2.4X6.4M	
....4	EY185	AA60-40011A EYELET;ID2.0,OD2.8,-,-,BST,-	S.N.A4	R872	2001-000066 R-CARBON(S);10KOHM,5%,1/2W,AA,TP,2.4X6.4	
....4	EY186	AA60-40011A EYELET;ID2.0,OD2.8,-,-,BST,-	S.N.A4	R873	2004-004366 R-METAL(S);1.3Kohm,1%,1/2W,AA,TP,2.5x6.5	
....4	EY187	AA60-40011A EYELET;ID2.0,OD2.8,-,-,BST,-	S.N.A4	R874	2001-000734 R-CARBON;4.7KOHM,5%,1/8W,AA,TP,1.8x3.2MM	
....4	EY188	AA60-40011A EYELET;ID2.0,OD2.8,-,-,BST,-	S.N.A4	R875	2004-004366 R-METAL(S);1.3Kohm,1%,1/2W,AA,TP,1.8x3.5x6.5	
....4	EY189	AA60-40011A EYELET;ID2.0,OD2.8,-,-,BST,-	S.N.A	△....4	RP801S	2002-001010 R-COMPOSITION;1.8Mohm,5%,1/2W,AA,TP,3.7x	
....4	EY190	AA60-40011A EYELET;ID2.0,OD2.8,-,-,BST,-	S.N.A	△....4	RX801S	2002-001011 R-COMPOSITION;3.3Mohm,5%,1/2W,AA,TP,3.7x	
....4	EY191	AA60-40011A EYELET;ID2.0,OD2.8,-,-,BST,-	S.N.A	△....4	RY801S	2002-001013 R-COMPOSITION;4.7Mohm,5%,1/2W,AA,TP,3.7x	
....4	EY192	AA60-40011A EYELET;ID2.0,OD2.8,-,-,BST,-	S.N.A	△....4	VP801S	1405-000152 VARISTOR;560V,2500A,14x8.5mm,TP	
....4	EY193	AA60-40011A EYELET;ID2.0,OD2.8,-,-,BST,-	S.N.A	△....4	VX801S	1405-000187 VARISTOR;750V,1250A,12.5x7mm,TP	
....4	EY71	AA60-40011A EYELET;ID2.0,OD2.8,-,-,BST,-	S.N.A3	AA39-20009B	LEAD CONNECTOR-ASSY;1P,YFH800-01,300,16	
....4	EY72	AA60-40011A EYELET;ID2.0,OD2.8,-,-,BST,-	S.N.A3	0202-000187	SOLDER-WIRE FLUX;-RS60S,D1.2,63Sn/37Pb	S.N.A
....4	EY79	AA60-40011A EYELET;ID2.0,OD2.8,-,-,BST,-	S.N.A2	AA94-07625H	ASSY PCB MAIN;HCL473WX/XAA,P54A,U.S.A	
....4	EY80	AA60-40011A EYELET;ID2.0,OD2.8,-,-,BST,-	S.N.A3	C664	2401-001068 C-AL;3300uF,20%,50V,GPPB,22x40,10	
....4	EY81	AA60-40011A EYELET;ID2.0,OD2.8,-,-,BST,-	S.N.A3	C665	2401-000737 C-AL;2200uF,20%,50V,GPTP,18x35.5,7	
....4	EY82	AA60-40011A EYELET;ID2.0,OD2.8,-,-,BST,-	S.N.A3	CG-BOT	AA63-00397B SHIELD CASE-BOT;PRJT,P54A,SPT,TO.5,-,-	S.N.A
....4	EY83	AA60-40011A EYELET;ID2.0,OD2.8,-,-,BST,-	S.N.A3	CG-TOP	AA63-00396B SHIELD CASE-TOP;PRJT,P54A,SPT,TO.5,-,-	S.N.A
....4	EY84	AA60-40011A EYELET;ID2.0,OD2.8,-,-,BST,-	S.N.A3	CN01	3703-001150 CONNECTOR-DIN;32P,2R,FEMALE,STRAIGHT,AUF	
....4	EY85	AA60-40011A EYELET;ID2.0,OD2.8,-,-,BST,-	S.N.A3	CN02	3703-001150 CONNECTOR-DIN;32P,2R,FEMALE,STRAIGHT,AUF	
....4	EY86	AA60-40011A EYELET;ID2.0,OD2.8,-,-,BST,-	S.N.A3	CNM01	3703-001187 CONNECTOR-DIN;64P,2R,FEMALE,STRAIGHT,AU	
....4	EY87	AA60-40011A EYELET;ID2.0,OD2.8,-,-,BST,-	S.N.A3	CNS01	3703-001187 CONNECTOR-DIN;64P,2R,FEMALE,STRAIGHT,AU	
....4	EY88	AA60-40011A EYELET;ID2.0,OD2.8,-,-,BST,-	S.N.A3	CNT01	3710-001208 CONNECTOR-SOCKET;32P,2R,2.54mm,STRAIGHT,	
....4	EY89	AA60-40011A EYELET;ID2.0,OD2.8,-,-,BST,-	S.N.A3	CNT02	3710-001208 CONNECTOR-SOCKET;32P,2R,2.54mm,STRAIGHT,	
....4	EY90	AA60-40011A EYELET;ID2.0,OD2.8,-,-,BST,-	S.N.A3	CNZ01	3703-001150 CONNECTOR-DIN;32P,2R,FEMALE,STRAIGHT,AUF	
....4	EY91	AA60-40011A EYELET;ID2.0,OD2.8,-,-,BST,-	S.N.A3	DW-BOT	AA63-00395B SHIELD CASE-BOT;PRJT,P54A,SPT,TO.5,-,-	S.N.A
....4	EY92	AA60-40011A EYELET;ID2.0,OD2.8,-,-,BST,-	S.N.A3	DW-TOP	AA63-00394B SHIELD CASE-TOP;PRJT P54A,SPT,TO.5,-,-	S.N.A
....4	EY93	AA60-40011A EYELET;ID2.0,OD2.8,-,-,BST,-	S.N.A3	IC102	AA96-00110C ASSY-H/S;-AA62-30013K,SI-3090C,-	S.N.A
....4	EY94	AA60-40011A EYELET;ID2.0,OD2.8,-,-,BST,-	S.N.A4	1203-000577	IC-VOLTAGE REGULATOR;3090,ZIP5P,-PLAST	
....4	EY95	AA60-40011A EYELET;ID2.0,OD2.8,-,-,BST,-	S.N.A4	6003-000333	SCREW-TAPTITE;RH,+2S,M3,L10,ZP(YEL),SW	S.N.A
....4	EY99	AA60-40011A EYELET;ID2.0,OD2.8,-,-,BST,-	S.N.A4	AA62-30013K	HEAT-SINK,ES;-,-,-,44/18,-,WHT,A6063 E	S.N.A
....4	F801A	3602-000114 FUSE-HOLDER;-,-,30mohm	S.N.A3	IC104	AA96-00110A ASSY-H/S;-,-,AA62-30013K,SI-3050C,-	S.N.A
....4	F801B	3602-000114 FUSE-HOLDER;-,-,30mohm	S.N.A4	1203-000203	IC-POSI.ADJUST REG.;.3050,TO-220,5P,-,PLA	
....4	F802A	3602-000114 FUSE-HOLDER;-,-,30mohm	S.N.A4	6003-000333	SCREW-TAPTITE;RH,+2S,M3,L10,ZP(YEL),SW	S.N.A
....4	F802B	3602-000114 FUSE-HOLDER;-,-,30mohm	S.N.A4	AA62-30013K	HEAT-SINK,ES;-,-,-,44/18,-,WHT,A6063 E	S.N.A
....4	F804A	3602-000114 FUSE-HOLDER;-,-,30mohm	S.N.A3	IC106	AA96-00110A ASSY-H/S;-,-,AA62-30013K,SI-3050C,-	S.N.A
....4	F804B	3602-000114 FUSE-HOLDER;-,-,30mohm	S.N.A3	IC655	AA96-00038A ASSY-H/S;-,-,SOUND AMP,AA62-30173E,TDA7265	S.N.A
....4	F855A	3602-000114 FUSE-HOLDER;-,-,30mohm	S.N.A4	0205-000129	GREASE-SILICON;SC102,JAPAN	S.N.A
....4	F855B	3602-000114 FUSE-HOLDER;-,-,30mohm	S.N.A4	1201-001026	IC-POWER AMP;7265,ZIP,11P;19.6MIL,DUAL,1	
△....4	FD805S	3601-001086 FUSE-AXIAL LEAD;125V,5A,FAST-ACTING,GLAS	4	6003-000333	SCREW-TAPTITE;RH,+2S,M3,L10,ZP(YEL),SW	S.N.A
△....4	FD806S	3601-001086 FUSE-AXIAL LEAD;125V,3.5A,FAST-ACTING,CE	4	AA62-30173E	HEAT-SINK,ES;-,-,T1.0,WHITE,SCREW-HOLE1	S.N.A
△....4	FD854S	3601-001086 FUSE-AXIAL LEAD;125V,5A,FAST-ACTING,GLAS	3	ICZ101	AA96-50321B ASSY-H/S;-,-,AA62-30013G,SI3050C,-	S.N.A
△....4	FD871S	3601-001086 FUSE-AXIAL LEAD;125V,5A,FAST-ACTING,GLAS	4	1203-000203	IC-POSI.ADJUST REG.;.3050,TO-220,5P,-,PLA	
....4	GT801	AA60-40014A PIN-GT,ASSY;1P,-,-,AUTO	S.N.A4	6003-000333	SCREW-TAPTITE;RH,+2S,M3,L10,ZP(YEL),SW	S.N.A
....4	GT802	AA60-40014A PIN-GT,ASSY;1P,-,-,AUTO	S.N.A4	AA62-30013G	HEAT-SINK,ES;-,-,44/18,-,WHT,55(18),-,-	S.N.A
....4	GT810	AA60-40014A PIN-GT,ASSY;1P,-,-,AUTO	S.N.A3	ICZ102	1203-000119 IC-NEGA.FIXED REG.;.7905,TO-220,3P,-,PLAS	
....4	GT811	AA60-40014A PIN-GT,ASSY;1P,-,-,AUTO	S.N.A3	L601	AA29-00004A FILTER-LINE NOISE;-20UH,3A,AC80-260V,TQ	
....4	GT812	AA60-40014A PIN-GT,ASSY;1P,-,-,AUTO	S.N.A3	L602	AA27-10001C COIL-CHOKE;-100uH,K,-,5.0A,ST,700UH-K1R	
....4	GT813	AA60-40014A PIN-GT,ASSY;1P,-,-,AUTO	S.N.A3	MI-BOT	AA63-00397B SHIELD CASE-BOT;PRJT,P54A,SPT,TO.5,-,-	S.N.A
....4	GT814	AA60-40014A PIN-GT,ASSY;1P,-,-,AUTO	S.N.A3	MI-TOP	AA63-00396B SHIELD CASE-TOP;PRJT,P54A,SPT,TO.5,-,-	S.N.A
....4	L806	2901-000297 FILTER-EMI ON BOARD;-3A,-,-,3.5x5,TP-	3	SO-BOT	AA63-00397B SHIELD CASE-BOT;PRJT,P54A,SPT,TO.5,-,-	S.N.A
....4	L807	2901-000297 FILTER-EMI ON BOARD;-3A,-,-,3.5x5,TP-	3	SO-TOP	AA63-00396B SHIELD CASE-TOP;PRJT,P54A,SPT,TO.5,-,-	S.N.A
....4	L808	3301-000287 CORE-FERRITE BEAD;AA,3.5x1.0x6.0mm,1500,		△....3	TU103S	AA59-00164A MODULE-RF,SPLITTER;-,-,UMX-NT-005,-,2IN/30	
....4	L810	2901-000297 FILTER-EMI ON BOARD;-3A,-,-,3.5x5,TP-	3	WIRE	AA65-30018A CLAMP-WIRE;DONG-A,NYLON-66,-,-,DATL-60	S.N.A
....4	L811	2901-000297 FILTER-EMI ON BOARD;-3A,-,-,3.5x5,TP-	3	3301-001201	CORE-FERRITE;AE,21x11x32mm,1500,280G	
....4	L812	2901-000297 FILTER-EMI ON BOARD;-3A,-,-,3.5x5,TP-	3	AA39-20010F	LEAD CONNECTOR-ASSY;1P,YFH800-01,S,700,	
....4	L813	2901-000297 FILTER-EMI ON BOARD;-3A,-,-,3.5x5,TP-	4	AA95-01844K	ASSY SUB-PCB,SOUND;PCL545R,P54A,AA95-007	
....4	L814	3301-000287 CORE-FERRITE BEAD;AA,3.5x1.0x6.0mm,1500,	3	3703-001175	CONNECTOR-DIN;64P,2R,MALE,ANGLE,AA	
....4	L815	2901-000297 FILTER-EMI ON BOARD;-3A,-,-,3.5x5,TP-	4	XD601	2801-000186 CRYSTAL-UNIT;18.432MHz,25ppm,28-AAAM,8pF,	
....4	L816	2901-000297 FILTER-EMI ON BOARD;-3A,-,-,3.5x5,TP-	4	AA97-06988A	ASSY AUTO-SOUND;PCL545R,P54A,AA95-00712C	S.N.A
....4	L831	3301-000287 CORE-FERRITE BEAD;AA,3.5x1.0x6.0mm,1500,	5	CD601	2401-000444 C-AL;10uF,20%,25V,GP,TP,5x5mm,5mm	
....4	L832	3301-000287 CORE-FERRITE BEAD;AA,3.5x1.0x6.0mm,1500,	5	CD603	2401-001250 C-AL;4.7uF,20%,35V,GP,TP,4x5,5	
....4	L851	2901-000297 FILTER-EMI ON BOARD;-3A,-,-,3.5x5,TP-	5	CD604	2401-000486 C-AL;10uF,20%,50V,GP,TP,6.3x7mm,5	
....4	L857	2901-000297 FILTER-EMI ON BOARD;-3A,-,-,3.5x5,TP-	5	CD605	2401-001250 C-AL;4.7uF,20%,35V,GP,TP,4x5,5	
....4	L859	2901-000297 FILTER-EMI ON BOARD;-3A,-,-,3.5x5,TP-	5	CD607	2401-001250 C-AL;4.7uF,20%,35V,GP,TP,4x5,5	
....4	PCB	AA41-00342A PCB-POWER;PCL545R,CEM-1,1L,A,1.6T,330X24	S.N.A5	CD608	2401-001250 C-AL;4.7uF,20%,35V,GP,TP,4x5,5	

Loc. No.	Code No.	Description ; Specification	Remark	Loc. No.	Code No.	Description ; Specification	Remark
.....5	CD609	2401-001250 C-AL;4.7uF,20%,35V,GP,TP,4x5,5	6	RD610	2007-000074 R-CHIP;100ohm,5%,1/16W,DA,TP,1608	
.....5	CD610	2401-001250 C-AL;4.7uF,20%,35V,GP,TP,4x5,5	6	RD611	2007-000074 R-CHIP;100ohm,5%,1/16W,DA,TP,1608	
.....5	CD611	2401-001250 C-AL;4.7uF,20%,35V,GP,TP,4x5,5	6	RD612	2007-001010 R-CHIP;51Kohm,5%,1/16W,DA,TP,1608	
.....5	CD612	2401-001250 C-AL;4.7uF,20%,35V,GP,TP,4x5,5	6	RD613	2007-000084 R-CHIP;4.7Kohm,5%,1/16W,DA,TP,1608	
.....5	CD614	2401-000486 C-AL;10uF,20%,50V,GP,TP,6.3x7mm,5	6	RD614	2007-000074 R-CHIP;100ohm,5%,1/16W,DA,TP,1608	
.....5	CD616	2401-000486 C-AL;10uF,20%,50V,GP,TP,6.3x7mm,5	6	RD615	2007-000074 R-CHIP;100ohm,5%,1/16W,DA,TP,1608	
.....5	CD621	2401-000922 C-AL;22uF,20%,16V,GP,TP,5x5,5	6	RD616	2007-000078 R-CHIP;1Kohm,5%,1/16W,DA,TP,1608	
.....5	CD622	2401-000922 C-AL;22uF,20%,16V,GP,TP,5x5,5	6	RD617	2007-000078 R-CHIP;1Kohm,5%,1/16W,DA,TP,1608	
.....5	CD623	2401-000922 C-AL;22uF,20%,16V,GP,TP,5x5,5	6	RD618	2007-000084 R-CHIP;4.7Kohm,5%,1/16W,DA,TP,1608	
.....5	CD624	2401-000922 C-AL;22uF,20%,16V,GP,TP,5x5,5	6	RD619	2007-001179 R-CHIP;8.2Kohm,5%,1/16W,DA,TP,1608	
.....5	CD625	2401-000922 C-AL;22uF,20%,16V,GP,TP,5x5,5	6	RD620	2007-000134 R-CHIP;33Kohm,5%,1/16W,DA,TP,1608	
.....5	CD626	2401-000426 C-AL;10uF,20%,16V,GP,TP,3.5x5,5	6	RD621	2007-001010 R-CHIP;51Kohm,5%,1/16W,DA,TP,1608	
.....5	CD627	2401-000922 C-AL;22uF,20%,16V,GP,TP,5x5,5	6	RD622	2007-000329 R-CHIP;11Kohm,5%,1/16W,DA,TP,1608	
.....5	CD628	2401-000922 C-AL;22uF,20%,16V,GP,TP,5x5,5	6	RD623	2007-000329 R-CHIP;11Kohm,5%,1/16W,DA,TP,1608	
.....5	CD630	2401-000426 C-AL;10uF,20%,16V,GP,TP,3.5x5,5	6	RD624	2007-001010 R-CHIP;51Kohm,5%,1/16W,DA,TP,1608	
.....5	CD632	2401-000444 C-AL;10uF,20%,25V,GP,TP,5x5mm,5mm	6	RD625	2007-001179 R-CHIP;8.2Kohm,5%,1/16W,DA,TP,1608	
.....5	CD639	2401-000302 C-AL;100uF,20%,25V,GP,TP,6.3x11,1,5	6	RD626	2007-000134 R-CHIP;33Kohm,5%,1/16W,DA,TP,1608	
.....5	CD641	2401-002009 C-AL;100uF,20%,16V,GP,TP,6.3x7,5	6	RD627	2007-000084 R-CHIP;4.7Kohm,5%,1/16W,DA,TP,1608	
.....5	CD644	2401-000922 C-AL;22uF,20%,16V,GP,TP,5x5,5	6	RD628	2007-000078 R-CHIP;1Kohm,5%,1/16W,DA,TP,1608	
.....5	CD645	2401-000922 C-AL;22uF,20%,16V,GP,TP,5x5,5	6	RD629	2007-000078 R-CHIP;1Kohm,5%,1/16W,DA,TP,1608	
.....5	CD650	2401-001250 C-AL;4.7uF,20%,35V,GP,TP,4x5,5	6	RD630	2007-000084 R-CHIP;4.7Kohm,5%,1/16W,DA,TP,1608	
.....5	CD652	2401-001250 C-AL;4.7uF,20%,35V,GP,TP,4x5,5	6	RD631	2007-000084 R-CHIP;4.7Kohm,5%,1/16W,DA,TP,1608	
.....5	CD653	2401-000922 C-AL;22uF,20%,16V,GP,TP,5x5,5	6	RD632	2007-000134 R-CHIP;33Kohm,5%,1/16W,DA,TP,1608	
.....5	CD654	2401-000922 C-AL;22uF,20%,16V,GP,TP,5x5,5	6	RD633	2007-000134 R-CHIP;33Kohm,5%,1/16W,DA,TP,1608	
.....5	CD655	2401-002009 C-AL;100uF,20%,16V,GP,TP,6.3x7,5	6	RD634	2007-001179 R-CHIP;8.2Kohm,5%,1/16W,DA,TP,1608	
.....5	CD656	2401-000922 C-AL;22uF,20%,16V,GP,TP,5x5,5	6	RD635	2007-001179 R-CHIP;8.2Kohm,5%,1/16W,DA,TP,1608	
.....5	CD657	2401-000922 C-AL;22uF,20%,16V,GP,TP,5x5,5	6	RD636	2007-000329 R-CHIP;11Kohm,5%,1/16W,DA,TP,1608	
.....5	CD660	2401-000922 C-AL;22uF,20%,16V,GP,TP,5x5,5	6	RD637	2007-000329 R-CHIP;11Kohm,5%,1/16W,DA,TP,1608	
.....5	CD661	2401-000922 C-AL;22uF,20%,16V,GP,TP,5x5,5	6	RD638	2007-000078 R-CHIP;1Kohm,5%,1/16W,DA,TP,1608	
.....5	CD663	2401-000922 C-AL;22uF,20%,16V,GP,TP,5x5,5	6	RD639	2007-001010 R-CHIP;51Kohm,5%,1/16W,DA,TP,1608	
.....5	LD601	2701-001032 INDUCTOR-AXIAL;100uH,10%,5x14mm	6	RD647	2007-000078 R-CHIP;1Kohm,5%,1/16W,DA,TP,1608	
.....5	LD602	2701-001032 INDUCTOR-AXIAL;100uH,10%,5x14mm	6	RD648	2007-000078 R-CHIP;1Kohm,5%,1/16W,DA,TP,1608	
.....5	LD603	2701-001032 INDUCTOR-AXIAL;100uH,10%,5x14mm	6	RD649	2007-000078 R-CHIP;1Kohm,5%,1/16W,DA,TP,1608	
.....5	AA97-06895A	ASSY SMD SOUND;PCL545R,P54A,AA95-00712C	S.N.A6	RD650	2007-000078 R-CHIP;1Kohm,5%,1/16W,DA,TP,1608	
.....6	CD602	2203-000181 C-CERAMIC,CHIP;100nF,+80-20%,25V,Y5V,TP	4	0202-001167	SOLDER-CREAM;RX3603-2330H0,S45A,PASTE,SN	S.N.A
.....6	CD606	2203-000181 C-CERAMIC,CHIP;100nF,+80-20%,25V,Y5V,TP	4	0202-000187	SOLDER-WIRE FLUX;-RS60S,D1.2,63Sn/37Pb	S.N.A
.....6	CD613	2203-000181 C-CERAMIC,CHIP;100nF,+80-20%,25V,Y5V,TP	3	AA95-01824C	ASSY SUB-PCB,MICOM;PCL545R,P54A,AA95-007	S.N.A
.....6	CD617	2203-001211 C-CERAMIC,CHIP;8.2nf,10%,50V,X7R,TP,1608	4	CN901	3703-001175 CONNECTOR-DIN;64P,2R,MALE,ANGLE,AU	
.....6	CD618	2203-001211 C-CERAMIC,CHIP;8.2nf,10%,50V,X7R,TP,1608	4	IC901	AA09-00199A IC MICOM;SZM422A1-R519N,SZM422A1-R519N,5	
.....6	CD619	2203-001211 C-CERAMIC,CHIP;8.2nf,10%,50V,X7R,TP,1608	4	IC902	1103-001213 IC-EEPROM;M24C16-WB8N6,2048x8Bit,SDIP,8P	
.....6	CD620	2203-001211 C-CERAMIC,CHIP;8.2nf,10%,50V,X7R,TP,1608	4	L903	2701-001032 INDUCTOR-AXIAL;100uH,10%,5x14mm	
.....6	CD629	2203-005590 C-CERAMIC,CHIP;330NF,10%,16V,X7R,TP,2012	4	X901	2801-003224 CRYSTAL-UNIT;32.768KHz,20ppm,28-AA12,15	
.....6	CD631	2203-000181 C-CERAMIC,CHIP;100nF,+80-20%,25V,Y5V,TP	4	AA97-05187A	ASSY AUTO-SUB;PCL545R,P54A	S.N.A
.....6	CD633	2203-000332 C-CERAMIC,CHIP;0.012nf,5%,50V,NPO,TP,160	5	C901	2201-000292 C-CERAMIC,DISC;1nf,10%,50V,Y5P,TP,5x3,5	
.....6	CD634	2203-000332 C-CERAMIC,CHIP;0.012nf,5%,50V,NPO,TP,160	5	C904	2201-000119 C-CERAMIC,DISC;100nF,+80-20%,50V,Y5V,TP	
.....6	CD635	2203-001071 C-CERAMIC,CHIP;0.056nf,5%,50V,NPO,TP,160	5	C905	2401-001496 C-AL;47uF,20%,16V,GP,TP,5x7,5	
.....6	CD636	2203-001071 C-CERAMIC,CHIP;0.056nf,5%,50V,NPO,TP,160	5	C906	2201-000119 C-CERAMIC,DISC;100nF,+80-20%,50V,Y5V,TP	
.....6	CD637	2203-001071 C-CERAMIC,CHIP;0.056nf,5%,50V,NPO,TP,160	5	C907	2301-000111 C-FILM,PEE;1.8nf,5%,50V,TP,6.5x3.0x5.5mm	
.....6	CD638	2203-000236 C-CERAMIC,CHIP;0.1nf,5%,50V,NPO,TP,1608	5	C908	2201-000292 C-CERAMIC,DISC;1nf,10%,50V,Y5P,TP,5x3,5	
.....6	CD640	2203-000181 C-CERAMIC,CHIP;100nF,+80-20%,25V,Y5V,TP	5	C909	2201-000292 C-CERAMIC,DISC;1nf,10%,50V,Y5P,TP,5x3,5	
.....6	CD642	2203-000140 C-CERAMIC,CHIP;1.5nf,10%,50V,X7R,TP,1608	5	C910	2201-000292 C-CERAMIC,DISC;1nf,10%,50V,Y5P,TP,5x3,5	
.....6	CD643	2203-000140 C-CERAMIC,CHIP;1.5nf,10%,50V,X7R,TP,1608	5	C911	2306-000122 C-FILM,MPPF;100nF,5%,50V,TP,7.3x4.0x5.0mm	
.....6	CD646	2203-000140 C-CERAMIC,CHIP;1.5nf,10%,50V,X7R,TP,1608	5	C912	2201-000119 C-CERAMIC,DISC;100nF,+80-20%,50V,Y5V,TP	
.....6	CD647	2203-000140 C-CERAMIC,CHIP;1.5nf,10%,50V,X7R,TP,1608	5	C913	2201-000193 C-CERAMIC,DISC;0.01nf,0.25pf,50V,NPO,TP	
.....6	CD648	2203-000440 C-CERAMIC,CHIP;1nf,10%,50V,X7R,TP,1608,-	5	C914	2201-000578 C-CERAMIC,DISC;0.047nf,5%,50V,UJ,TP,5x3	
.....6	CD649	2203-000440 C-CERAMIC,CHIP;1nf,10%,50V,X7R,TP,1608,-	5	C915	2201-000119 C-CERAMIC,DISC;100nF,+80-20%,50V,Y5V,TP	
.....6	CD662	2203-000181 C-CERAMIC,CHIP;100nF,+80-20%,25V,Y5V,TP	5	C916	2401-002183 C-AL;220uF,20%,16V,GP,TP,8x9,5mm	
.....6	CD664	2203-000440 C-CERAMIC,CHIP;1nf,10%,50V,X7R,TP,1608,-	5	C917	2401-001496 C-AL;47uF,20%,16V,GP,TP,5x7,5	
.....6	CD665	2203-000440 C-CERAMIC,CHIP;1nf,10%,50V,X7R,TP,1608,-	5	C918	2201-000119 C-CERAMIC,DISC;100nF,+80-20%,50V,Y5V,TP	
.....6	CD670	2203-000236 C-CERAMIC,CHIP;0.1nf,5%,50V,NPO,TP,1608	5	C919	2401-000486 C-AL;10uF,20%,50V,GP,TP,6.3x7mm,5	
.....6	CD678	2203-000239 C-CERAMIC,CHIP;0.1nf,5%,50V,NPO,TP,2012	5	C920	2201-000119 C-CERAMIC,DISC;100nF,+80-20%,50V,Y5V,TP	
.....6	CD679	2203-000239 C-CERAMIC,CHIP;0.1nf,5%,50V,NPO,TP,2012	5	C925	2201-000119 C-CERAMIC,DISC;100nF,+80-20%,50V,Y5V,TP	
.....6	ICD601	1204-001830 IC-SOUND PROCESSOR;MSP3452G-A2,QFP,80P	5	C926	2401-000486 C-AL;10uF,20%,50V,GP,TP,6.3x7mm,5	
.....6	ICD602	1201-000541 IC-OP AMP;062,SOP,8P,153MIL,DUAL,6V/mV,P	5	C927	2201-000578 C-CERAMIC,DISC;0.047nf,5%,50V,UJ,TP,5x3	
.....6	ICD603	1201-000541 IC-OP AMP;062,SOP,8P,153MIL,DUAL,6V/mV,P	5	C928	2201-000578 C-CERAMIC,DISC;0.047nf,5%,50V,UJ,TP,5x3	
.....6	PCB	AA41-00335A PCB-SOUND;PCL545R,FR-4,2L,A,1.6T,180X245	S.N.A5	F901	2901-000297 FILTER-EMI ON BOARD;-3A,-,3.5x5,TP-	
.....6	QD601	0501-000727 TR-SMALL SIGNAL;BC848C,NPN,310mW,SOT-23,	5	IC903	1203-001274 IC-VOL. DETECTOR;7545,TO-92,3P,-,PLASTIC	
.....6	QD602	0501-000727 TR-SMALL SIGNAL;BC848C,NPN,310mW,SOT-23,	5	IC904	1203-000515 IC-VOL. DETECTOR;7042,TO-92,3P,177MIL,PL	
.....6	RD601	R-CHIP;1Kohm,5%,1/16W,DA,TP,1608	5	L902	2702-001094 INDUCTOR-RADIAL;10uH,10%,6x4mm	
.....6	RD602	R-CHIP;1Kohm,5%,1/16W,DA,TP,1608	5	L910	2901-000297 FILTER-EMI ON BOARD;-3A,-,3.5x5,TP-	
.....6	RD603	R-CHIP;1Kohm,5%,1/16W,DA,TP,1608	5	L911	2901-000297 FILTER-EMI ON BOARD;-3A,-,3.5x5,TP-	
.....6	RD604	R-CHIP;1Kohm,5%,1/16W,DA,TP,1608	5	L912	2901-000297 FILTER-EMI ON BOARD;-3A,-,3.5x5,TP-	
.....6	RD605	R-CHIP;1Kohm,5%,1/16W,DA,TP,1608	5	L913	2702-001094 INDUCTOR-RADIAL;10uH,10%,6x4mm	
.....6	RD606	R-CHIP;1Kohm,5%,1/16W,DA,TP,1608	5	Q901	0501-000389 TR-SMALL SIGNAL;KSC815,NPN,400mW,TO-92,T	
.....6	RD607	R-CHIP;1Kohm,5%,1/16W,DA,TP,1608	5	Q902	0501-000389 TR-SMALL SIGNAL;KSC815,NPN,400mW,TO-92,T	
.....6	RD608	R-CHIP;1Kohm,5%,1/16W,DA,TP,1608	5	Q903	0501-000389 TR-SMALL SIGNAL;KSC815,NPN,400mW,TO-92,T	
.....6	RD609	R-CHIP;1Kohm,5%,1/16W,DA,TP,1608	5	Q909	0501-000283 TR-SMALL SIGNAL;KSA539,PNP,400mW,TO-92,T	

Electrical Parts List

Loc. No.	Code No.	Description ; Specification	Remark	Loc. No.	Code No.	Description ; Specification	Remark
.....6 PC32	2203-000181	C-CERAMIC,CHIP;100nF,+80-20%,25V,Y5V,TP,	6 SR04	2011-000585	R-NETWORK;47ohm,5%,63mW,L,CHIP;8P,TP	
.....6 PC33	2203-000181	C-CERAMIC,CHIP;100nF,+80-20%,25V,Y5V,TP,	6 SR05	2011-000585	R-NETWORK;47ohm,5%,63mW,L,CHIP;8P,TP	
.....6 PC34	2203-000181	C-CERAMIC,CHIP;100nF,+80-20%,25V,Y5V,TP,	6 SR06	2011-000585	R-NETWORK;47ohm,5%,63mW,L,CHIP;8P,TP	
.....6 PC35	2203-000181	C-CERAMIC,CHIP;100nF,+80-20%,25V,Y5V,TP,	6 SR07	2011-000585	R-NETWORK;47ohm,5%,63mW,L,CHIP;8P,TP	
.....6 PC36	2203-000181	C-CERAMIC,CHIP;100nF,+80-20%,25V,Y5V,TP,	6 SR08	2007-000074	R-CHIP;100ohm,5%,1/16W,DA,TP,1608	
.....6 PC37	2203-000181	C-CERAMIC,CHIP;100nF,+80-20%,25V,Y5V,TP,	6 SR09	2007-000074	R-CHIP;100ohm,5%,1/16W,DA,TP,1608	
.....6 PC38	2203-000181	C-CERAMIC,CHIP;100nF,+80-20%,25V,Y5V,TP,	6 SR11	2007-000074	R-CHIP;100ohm,5%,1/16W,DA,TP,1608	
.....6 PC39	2203-000181	C-CERAMIC,CHIP;100nF,+80-20%,25V,Y5V,TP,	6 SR12	2007-001056	R-CHIP;6.2Kohm,5%,1/16W,DA,TP,1608	
.....6 PC40	2203-000181	C-CERAMIC,CHIP;100nF,+80-20%,25V,Y5V,TP,	6 SR13	2007-000402	R-CHIP;150ohm,5%,1/16W,DA,TP,1608	
.....6 PC42	2203-000181	C-CERAMIC,CHIP;100nF,+80-20%,25V,Y5V,TP,	6 SR14	2007-001167	R-CHIP;75ohm,5%,1/16W,DA,TP,1608	
.....6 PC47	2203-000236	C-CERAMIC,CHIP;0.1nF,5%,50V,NPO,TP,1608	6 SR15	2007-001167	R-CHIP;75ohm,5%,1/16W,DA,TP,1608	
.....6 PC48	2203-000236	C-CERAMIC,CHIP;0.1nF,5%,50V,NPO,TP,1608	6 SR16	2007-000402	R-CHIP;150ohm,5%,1/16W,DA,TP,1608	
.....6 PC49	2203-000236	C-CERAMIC,CHIP;0.1nF,5%,50V,NPO,TP,1608	6 SR17	2007-001167	R-CHIP;75ohm,5%,1/16W,DA,TP,1608	
.....6 PC52	2203-001603	C-CERAMIC,CHIP;220nF,10%,16V,X7R,TP,2012	6 SR18	2007-001167	R-CHIP;75ohm,5%,1/16W,DA,TP,1608	
.....6 PC53	2203-000181	C-CERAMIC,CHIP;100nF,+80-20%,25V,Y5V,TP,	6 SR19	2007-000381	R-CHIP;13Kohm,5%,1/16W,DA,TP,1608	
.....6 PC54	2203-001603	C-CERAMIC,CHIP;220nF,10%,16V,X7R,TP,2012	6 SR21	2007-000402	R-CHIP;150ohm,5%,1/16W,DA,TP,1608	
.....6 PC55	2203-005590	C-CERAMIC,CHIP;330nF,10%,16V,X7R,TP,2012	6 SR22	2007-001167	R-CHIP;75ohm,5%,1/16W,DA,TP,1608	
.....6 PC56	2203-005590	C-CERAMIC,CHIP;330nF,10%,16V,X7R,TP,2012	6 SR23	2007-001167	R-CHIP;75ohm,5%,1/16W,DA,TP,1608	
.....6 PC57	2203-005590	C-CERAMIC,CHIP;330nF,10%,16V,X7R,TP,2012	6 SR24	2007-000090	R-CHIP;10KOHM,5%,1/16W,DA,TP,1608	
.....6 PC58	2203-005590	C-CERAMIC,CHIP;330nF,10%,16V,X7R,TP,2012	6 SR25	2007-000401	R-CHIP;150OHM,5%,1/10W,DA,TP,2012	
.....6 PC78	2203-000181	C-CERAMIC,CHIP;100nF,+80-20%,25V,Y5V,TP,	6 YC01	2203-002494	C-CERAMIC,CHIP;470nF,10%,16V,X7R,TP,2012	
.....6 PCB	AA41-00418C	PCB-DW:SP55W3HR,FR-4,4L,C,1.6T,245X245,J	S.N.A6 YC02	2203-002494	C-CERAMIC,CHIP;470nF,10%,16V,X7R,TP,2012	
.....6 PIC01	1204-001598	IC-VIDEO PROCESS;VPC3230D-B2,OFF80P,-,P	6 YC03	2203-002494	C-CERAMIC,CHIP;470nF,10%,16V,X7R,TP,2012	
.....6 PIC02	1109-001144	IC-FIFO;81V04160,2x256Kx8Bit,TQFP,100P,1	6 YC04	2203-002494	C-CERAMIC,CHIP;470nF,10%,16V,X7R,TP,2012	
.....6 PIC04	1203-001419	IC-VOLTAGE REGULATOR;4931,TO-252,3P,6.6x	6 YC05	2203-002494	C-CERAMIC,CHIP;470nF,10%,16V,X7R,TP,2012	
.....6 PL01	3301-001324	CORE-FERRITE BEAD;AB,150HM,2X1.25X0.9MM,	6 YC06	2203-002494	C-CERAMIC,CHIP;470nF,10%,16V,X7R,TP,2012	
.....6 PL02	3301-001324	CORE-FERRITE BEAD;AB,150HM,2X1.25X0.9MM,	6 YC07	2203-002494	C-CERAMIC,CHIP;470nF,10%,16V,X7R,TP,2012	
.....6 PR01	2007-001166	R-CHIP;750HM,5%,1/10W,DA,TP,2012	6 YC08	2203-002494	C-CERAMIC,CHIP;470nF,10%,16V,X7R,TP,2012	
.....6 PR02	2007-001166	R-CHIP;750HM,5%,1/10W,DA,TP,2012	6 YC09	2203-002494	C-CERAMIC,CHIP;470nF,10%,16V,X7R,TP,2012	
.....6 PR03	2007-000074	R-CHIP;100ohm,5%,1/16W,DA,TP,1608	6 YC10	2203-002494	C-CERAMIC,CHIP;470nF,10%,16V,X7R,TP,2012	
.....6 PR04	2007-000074	R-CHIP;100ohm,5%,1/16W,DA,TP,1608	6 YC11	2203-002494	C-CERAMIC,CHIP;470nF,10%,16V,X7R,TP,2012	
.....6 PR06	2007-000072	R-CHIP;47ohm,5%,1/16W,DA,TP,1608	6 YC12	2203-002494	C-CERAMIC,CHIP;470nF,10%,16V,X7R,TP,2012	
.....6 PR07	2007-000072	R-CHIP;47ohm,5%,1/16W,DA,TP,1608	6 YC13	2203-002494	C-CERAMIC,CHIP;470nF,10%,16V,X7R,TP,2012	
.....6 PR08	2007-000072	R-CHIP;47ohm,5%,1/16W,DA,TP,1608	6 YC14	2203-002494	C-CERAMIC,CHIP;470nF,10%,16V,X7R,TP,2012	
.....6 PR11	2007-000029	R-CHIP;00HM,5%,1/10W,DA,TP,2012	6 YC15	2203-002494	C-CERAMIC,CHIP;470nF,10%,16V,X7R,TP,2012	
.....6 PR12	2007-000029	R-CHIP;00HM,5%,1/10W,DA,TP,2012	6 YC16	2203-002494	C-CERAMIC,CHIP;470nF,10%,16V,X7R,TP,2012	
.....6 PR19	2007-000029	R-CHIP;00HM,5%,1/10W,DA,TP,2012	6 YC17	2203-002494	C-CERAMIC,CHIP;470nF,10%,16V,X7R,TP,2012	
.....6 PR20	2007-000290	R-CHIP;100OHM,5%,1/10W,DA,TP,2012	6 YC18	2203-002494	C-CERAMIC,CHIP;470nF,10%,16V,X7R,TP,2012	
.....6 SC02	2203-000181	C-CERAMIC,CHIP;100nF,+80-20%,25V,Y5V,TP,	6 YC19	2203-002494	C-CERAMIC,CHIP;470nF,10%,16V,X7R,TP,2012	
.....6 SC04	2203-000181	C-CERAMIC,CHIP;100nF,+80-20%,25V,Y5V,TP,	6 YC20	2203-002494	C-CERAMIC,CHIP;470nF,10%,16V,X7R,TP,2012	
.....6 SC05	2203-000181	C-CERAMIC,CHIP;100nF,+80-20%,25V,Y5V,TP,	6 YC22	2203-000181	C-CERAMIC,CHIP;100nF,+80-20%,25V,Y5V,TP,	
.....6 SC06	2203-000181	C-CERAMIC,CHIP;100nF,+80-20%,25V,Y5V,TP,	6 YC23	2203-000257	C-CERAMIC,CHIP;10nF,10%,50V,X7R,TP,1608	
.....6 SC07	2203-000181	C-CERAMIC,CHIP;100nF,+80-20%,25V,Y5V,TP,	6 YC24	2203-000181	C-CERAMIC,CHIP;100nF,+80-20%,25V,Y5V,TP,	
.....6 SC08	2203-000181	C-CERAMIC,CHIP;100nF,+80-20%,25V,Y5V,TP,	6 YC25	2203-000181	C-CERAMIC,CHIP;100nF,+80-20%,25V,Y5V,TP,	
.....6 SC09	2203-000181	C-CERAMIC,CHIP;100nF,+80-20%,25V,Y5V,TP,	6 YC27	2203-001603	C-CERAMIC,CHIP;220nF,10%,16V,X7R,TP,2012	
.....6 SC11	2203-000181	C-CERAMIC,CHIP;100nF,+80-20%,25V,Y5V,TP,	6 YC28	2203-001603	C-CERAMIC,CHIP;220nF,10%,16V,X7R,TP,2012	
.....6 SC12	2203-000181	C-CERAMIC,CHIP;100nF,+80-20%,25V,Y5V,TP,	6 YC29	2203-001603	C-CERAMIC,CHIP;220nF,10%,16V,X7R,TP,2012	
.....6 SC13	2203-000181	C-CERAMIC,CHIP;100nF,+80-20%,25V,Y5V,TP,	6 YC30	2203-002494	C-CERAMIC,CHIP;470nF,10%,16V,X7R,TP,2012	
.....6 SC14	2203-000181	C-CERAMIC,CHIP;100nF,+80-20%,25V,Y5V,TP,	6 YC32	2203-000257	C-CERAMIC,CHIP;10nF,10%,50V,X7R,TP,1608	
.....6 SC21	2203-000181	C-CERAMIC,CHIP;100nF,+80-20%,25V,Y5V,TP,	6 YC33	2203-000257	C-CERAMIC,CHIP;10nF,10%,50V,X7R,TP,1608	
.....6 SC23	2203-000181	C-CERAMIC,CHIP;100nF,+80-20%,25V,Y5V,TP,	6 YC34	2203-000257	C-CERAMIC,CHIP;10nF,10%,50V,X7R,TP,1608	
.....6 SC24	2203-000181	C-CERAMIC,CHIP;100nF,+80-20%,25V,Y5V,TP,	6 YC35	2203-000257	C-CERAMIC,CHIP;10nF,10%,50V,X7R,TP,1608	
.....6 SC25	2203-000140	C-CERAMIC,CHIP;1.5nF,10%,50V,X7R,TP,1608	6 YC36	2203-000257	C-CERAMIC,CHIP;10nF,10%,50V,X7R,TP,1608	
.....6 SC26	2203-000236	C-CERAMIC,CHIP;0.1nF,5%,50V,NPO,TP,1608	6 YC37	2203-000257	C-CERAMIC,CHIP;10nF,10%,50V,X7R,TP,1608	
.....6 SC27	2203-000181	C-CERAMIC,CHIP;100nF,+80-20%,25V,Y5V,TP,	6 YC39	2203-000998	C-CERAMIC,CHIP;0.047nF,5%,50V,NPO,TP,160	
.....6 SC28	2203-000552	C-CERAMIC,CHIP;0.02nF,5%,50V,NPO,TP,1608	6 YC40	2203-000998	C-CERAMIC,CHIP;0.047nF,5%,50V,NPO,TP,160	
.....6 SC29	2203-000181	C-CERAMIC,CHIP;100nF,+80-20%,25V,Y5V,TP,	6 YC45	2203-002494	C-CERAMIC,CHIP;470nF,10%,16V,X7R,TP,2012	
.....6 SC32	2203-000181	C-CERAMIC,CHIP;100nF,+80-20%,25V,Y5V,TP,	6 YC46	2203-000257	C-CERAMIC,CHIP;10nF,10%,50V,X7R,TP,1608	
.....6 SC33	2203-000552	C-CERAMIC,CHIP;0.02nF,5%,50V,NPO,TP,1608	6 YC47	2203-000257	C-CERAMIC,CHIP;10nF,10%,50V,X7R,TP,1608	
.....6 SC34	2203-000181	C-CERAMIC,CHIP;100nF,+80-20%,25V,Y5V,TP,	6 YC48	2203-000257	C-CERAMIC,CHIP;10nF,10%,50V,X7R,TP,1608	
.....6 SC35	2203-000181	C-CERAMIC,CHIP;100nF,+80-20%,25V,Y5V,TP,	6 YC49	2203-000181	C-CERAMIC,CHIP;100nF,+80-20%,25V,Y5V,TP,	
.....6 SC37	2203-000181	C-CERAMIC,CHIP;100nF,+80-20%,25V,Y5V,TP,	6 YC50	2203-002494	C-CERAMIC,CHIP;470nF,10%,16V,X7R,TP,2012	
.....6 SC38	2203-000552	C-CERAMIC,CHIP;0.02nF,5%,50V,NPO,TP,1608	6 YC51	2203-000236	C-CERAMIC,CHIP;0.1nF,5%,50V,NPO,TP,1608	
.....6 SC52	2203-000181	C-CERAMIC,CHIP;100nF,+80-20%,25V,Y5V,TP,	6 YC52	2203-001083	C-CERAMIC,CHIP;0.005nF,0.1pF,50V,NPO,TP,	
.....6 SC54	2203-000181	C-CERAMIC,CHIP;100nF,+80-20%,25V,Y5V,TP,	6 YC53	2203-000181	C-CERAMIC,CHIP;100nF,+80-20%,25V,Y5V,TP,	
.....6 SF01	2901-001120	FILTER-EMI SMD;25V,100mA,-,-,3.2x1.6x1.T	6 YC54	2203-000181	C-CERAMIC,CHIP;100nF,+80-20%,25V,Y5V,TP,	
.....6 SL01	3301-001324	CORE-FERRITE BEAD;AB,150HM,2X1.25X0.9MM,	6 YC55	2203-000181	C-CERAMIC,CHIP;100nF,+80-20%,25V,Y5V,TP,	
.....6 SL02	3301-001324	CORE-FERRITE BEAD;AB,150HM,2X1.25X0.9MM,	6 YC56	2203-000181	C-CERAMIC,CHIP;100nF,+80-20%,25V,Y5V,TP,	
.....6 SL03	3301-001324	CORE-FERRITE BEAD;AB,150HM,2X1.25X0.9MM,	6 YC58	2203-000181	C-CERAMIC,CHIP;100nF,+80-20%,25V,Y5V,TP,	
.....6 SL04	3301-001324	CORE-FERRITE BEAD;AB,150HM,2X1.25X0.9MM,	6 YC59	2203-000181	C-CERAMIC,CHIP;100nF,+80-20%,25V,Y5V,TP,	
.....6 SL05	3301-001324	CORE-FERRITE BEAD;AB,150HM,2X1.25X0.9MM,	6 YC60	2203-000181	C-CERAMIC,CHIP;100nF,+80-20%,25V,Y5V,TP,	
.....6 SL06	3301-001324	CORE-FERRITE BEAD;AB,150HM,2X1.25X0.9MM,	6 YC63	2203-000236	C-CERAMIC,CHIP;0.1nF,5%,50V,NPO,TP,1608	
.....6 SL08	3301-001324	CORE-FERRITE BEAD;AB,150HM,2X1.25X0.9MM,	6 YC66	2203-000815	C-CERAMIC,CHIP;0.033nF,5%,50V,NPO,TP,160	
.....6 SL09	3301-001186	CORE-FERRITE BEAD;AB,600ohm,3.2x1.6x1.3m	6 YD01	0403-000620	DIODE-ZENER;RLZ5.6B,5.6,500mW,LL-34,TP	
.....6 SR01	2007-000074	R-CHIP;100ohm,5%,1/16W,DA,TP,1608	6 YD02	0403-000620	DIODE-ZENER;RLZ5.6B,5.6,500mW,LL-34,TP	
.....6 SR02	2007-000074	R-CHIP;100ohm,5%,1/16W,DA,TP,1608	6 YD03	0403-001117	DIODE-ZENER;RLZ12B,5.5,500mW,LL-34,TP	
.....6 SR03	2007-000074	R-CHIP;100ohm,5%,1/16W,DA,TP,1608	6 YD04	0403-001117	DIODE-ZENER;RLZ12B,5.5,500mW,LL-34,TP	

Electrical Parts List

Loc. No.	Code No.	Description ; Specification	Remark	Loc. No.	Code No.	Description ; Specification	Remark	
....5	C903	2201-000119	C-CERAMIC,DISC;100nF,+80-20%,50V,Y5V,TP,	5	L104	2701-000115	INDUCTOR-AXIAL;10uH,10%,3x7mm
....5	CN101	3711-002642	CONNECTOR-HEADER;BOX,3P,1R,2.5mm,STRAIGH	5	L105	2701-000115	INDUCTOR-AXIAL;10uH,10%,3x7mm
....5	CN601	3711-002643	CONNECTOR-HEADER;BOX,4P,1R,2.5mm,STRAIGH	5	L107	2701-000115	INDUCTOR-AXIAL;10uH,10%,3x7mm
....5	CN602	3711-002644	CONNECTOR-HEADER;BOX,5P,1R,2.5mm,STRAIGH	5	L108	2701-001007	INDUCTOR-AXIAL;24uH,10%,4.5x14mm
....5	CN902	3711-002645	CONNECTOR-HEADER;BOX,3P,1R,2.5mm,STRAIGH	5	L110	2701-000116	INDUCTOR-AXIAL;10uH,10%,4.2x9.8mm
....5	CNV01	3711-002645	CONNECTOR-HEADER;BOX,6P,1R,2.5mm,STRAIGH	5	L111	3301-000287	CORE-FERRITE BEAD;AA,3.5x1.0x6.0mm,1500,
....5	CZ101	2401-000832	C-AL;220uF,20%,25V,GP,TP,8x11.5,5	5	L112	3301-000287	CORE-FERRITE BEAD;AA,3.5x1.0x6.0mm,1500,
....5	CZ102	2401-001840	C-AL;100uF,20%,16V,GP,TP,6.3x11.5	5	L113	2901-000297	FILTER-EMI ON BOARD;-3A,-,3.5x5,TP-
....5	CZ103	2401-000689	C-AL;220uF,20%,16V,GP,TP,13x25.5	5	L603	3301-000287	CORE-FERRITE BEAD;AA,3.5x1.0x6.0mm,1500,
....5	CZ105	2201-000119	C-CERAMIC,DISC;100nF,+80-20%,50V,Y5V,TP,	5	L604	3301-000287	CORE-FERRITE BEAD;AA,3.5x1.0x6.0mm,1500,
....5	CZ106	2201-000119	C-CERAMIC,DISC;100nF,+80-20%,50V,Y5V,TP,	5	L605	3301-000287	CORE-FERRITE BEAD;AA,3.5x1.0x6.0mm,1500,
....5	CZ107	2201-000119	C-CERAMIC,DISC;100nF,+80-20%,50V,Y5V,TP,	5	L901	2701-000115	INDUCTOR-AXIAL;10uH,10%,3x7mm
....5	CZ109	2202-000632	C-CERAMIC,MLC-AXIAL;100nF,20%,50V,Z5U,TP	5	LDZ101	0403-000510	DIODE-ZENER;MTZJ6.2B,6.2V,5.96-6.27V,500
....5	CZ110	2202-000632	C-CERAMIC,MLC-AXIAL;100nF,20%,50V,Z5U,TP	5	LDZ102	0403-000510	DIODE-ZENER;MTZJ6.2B,6.2V,5.96-6.27V,500
....5	D603	0401-000005	DIODE-SWITCHING;1N4148,100V,200mA,DO-35,	5	LZ101	2701-000142	INDUCTOR-AXIAL;1uH,10%,2.5x3.4mm
....5	D604	0401-000005	DIODE-SWITCHING;1N4148,100V,200mA,DO-35,	5	LZ102	2701-000142	INDUCTOR-AXIAL;1uH,10%,2.5x3.4mm
....5	D605	0401-000005	DIODE-SWITCHING;1N4148,100V,200mA,DO-35,	5	LZ103	2701-001030	INDUCTOR-AXIAL;43uH,10%,5x14mm
....5	D606	0401-000005	DIODE-SWITCHING;1N4148,100V,200mA,DO-35,	5	LZ104	2701-001030	INDUCTOR-AXIAL;43uH,10%,5x14mm
....5	D664	0402-000546	DIODE-RECTIFIER;TVR10G,400V,1.0A,DO-41,T	5	PCB	AA41-00332D	PCB-MAIN,PCL545R,FR-1,1LD,1.6T,330X245,
....5	D665	0401-000005	DIODE-SWITCHING;1N4148,100V,200mA,DO-35,	S.N.A5	0601	0501-000389	TR-SMALL SIGNAL;KSC815,NPN,400mW,TO-92,T
....5	D701	0401-000005	DIODE-SWITCHING;1N4148,100V,200mA,DO-35,	5	0666	0501-000389	TR-SMALL SIGNAL;KSC815,NPN,400mW,TO-92,T
....5	D702	0401-000005	DIODE-SWITCHING;1N4148,100V,200mA,DO-35,	5	0668	0501-000389	TR-SMALL SIGNAL;KSC815,NPN,400mW,TO-92,T
....5	D703	0401-000005	DIODE-SWITCHING;1N4148,100V,200mA,DO-35,	5	0701	0501-000389	TR-SMALL SIGNAL;KSC815,NPN,400mW,TO-92,T
....5	DZ665	0403-001039	DIODE-ZENER;MA2560,56V,52-60V,1W,DO-41,T	5	Q702	0501-000389	TR-SMALL SIGNAL;KSC815,NPN,400mW,TO-92,T
....5	DZ701	0403-001140	DIODE-ZENER;RD10ESAB-TA,10V,9.19-10.30V,	5	R102	2001-000281	R-CARBON;100OHM,5%,1/8W,AA,TP,1.8X3.2MM
....5	DZ801	0403-000700	DIODE-ZENER;TZP33A,33V,31-35V,1W,DO-41,T	5	R103	2001-000281	R-CARBON;100OHM,5%,1/8W,AA,TP,1.8X3.2MM
....5	EL01	AA60-40011B	EYELET;ID2.2,OD3.2,-,-,BSP-	S.N.A5	R104	2001-000066	R-CARBON(S);10KOHM,5%,1/2W,AA,TP,2.4X6.4
....5	EL02	AA60-40011B	EYELET;ID2.2,OD3.2,-,-,BSP-	S.N.A5	R105	2001-000281	R-CARBON;100OHM,5%,1/8W,AA,TP,1.8X3.2MM
....5	EL03	AA60-40011B	EYELET;ID2.2,OD3.2,-,-,BSP-	S.N.A5	R106	2001-000281	R-CARBON;100OHM,5%,1/8W,AA,TP,1.8X3.2MM
....5	EL05	AA60-40011B	EYELET;ID2.2,OD3.2,-,-,BSP-	S.N.A5	R107	2001-000739	R-CARBON;4.7MOHM,5%,1/8W,AA,TP,1.8X3.2MM
....5	EL06	AA60-40011B	EYELET;ID2.2,OD3.2,-,-,BSP-	S.N.A5	R110	2001-000739	R-CARBON;4.7MOHM,5%,1/8W,AA,TP,1.8X3.2MM
....5	EL07	AA60-40011B	EYELET;ID2.2,OD3.2,-,-,BSP-	S.N.A5	R111	2001-000037	R-CARBON(S);330OHM,5%,1/2W,AA,TP,2.4X6.4
....5	EL08	AA60-40011B	EYELET;ID2.2,OD3.2,-,-,BSP-	S.N.A5	R112	2001-000739	R-CARBON;4.7MOHM,5%,1/8W,AA,TP,1.8X3.2MM
....5	EL09	AA60-40011B	EYELET;ID2.2,OD3.2,-,-,BSP-	S.N.A5	R113	2001-000739	R-CARBON;4.7MOHM,5%,1/8W,AA,TP,1.8X3.2MM
....5	EL10	AA60-40011B	EYELET;ID2.2,OD3.2,-,-,BSP-	S.N.A5	R115	2001-000869	R-CARBON;56OHM,5%,1/8W,AA,TP,1.8X3.2MM
....5	EL11	AA60-40011B	EYELET;ID2.2,OD3.2,-,-,BSP-	S.N.A5	R117	2001-000938	R-CARBON;68OHM,5%,1/8W,AA,TP,1.8X3.2MM
....5	EL12	AA60-40011B	EYELET;ID2.2,OD3.2,-,-,BSP-	S.N.A5	R602	2001-000429	R-CARBON;1KOHM,5%,1/8W,AA,TP,1.8X3.2MM
....5	EL13	AA60-40011B	EYELET;ID2.2,OD3.2,-,-,BSP-	S.N.A5	R603	2001-001097	R-CARBON(S);2.4KOHM,5%,1/2W,AA,TP,2.4X6.4
....5	EL14	AA60-40011B	EYELET;ID2.2,OD3.2,-,-,BSP-	S.N.A5	R604	2001-001168	R-CARBON(S);6.8KOHM,5%,1/2W,AA,TP,2.4X6.4
....5	EL15	AA60-40011B	EYELET;ID2.2,OD3.2,-,-,BSP-	S.N.A5	R605	2001-001106	R-CARBON(S);220KOHM,5%,1/2W,AA,TP,2.4X6.4
....5	EL16	AA60-40011B	EYELET;ID2.2,OD3.2,-,-,BSP-	S.N.A5	R661	2004-001970	R-METAL(S);1.8Kohm,1%,1/2W,AA,TP,6.5x2.5
....5	EL17	AA60-40011B	EYELET;ID2.2,OD3.2,-,-,BSP-	S.N.A5	R662	2004-001970	R-METAL(S);1.8Kohm,1%,1/2W,AA,TP,6.5x2.5
....5	EL18	AA60-40011B	EYELET;ID2.2,OD3.2,-,-,BSP-	S.N.A5	R663	2001-000660	R-CARBON;33KOHM,5%,1/8W,AA,TP,1.8X3.2MM
....5	EL19	AA60-40011B	EYELET;ID2.2,OD3.2,-,-,BSP-	S.N.A5	R664	2004-001970	R-METAL(S);1.8Kohm,1%,1/2W,AA,TP,6.5x2.5
....5	EL20	AA60-40011B	EYELET;ID2.2,OD3.2,-,-,BSP-	S.N.A5	R665	2001-000066	R-CARBON(S);10KOHM,5%,1/2W,AA,TP,2.4X6.4
....5	EL21	AA60-40011B	EYELET;ID2.2,OD3.2,-,-,BSP-	S.N.A5	R666	2001-000066	R-CARBON(S);10KOHM,5%,1/2W,AA,TP,2.4X6.4
....5	EL22	AA60-40011B	EYELET;ID2.2,OD3.2,-,-,BSP-	S.N.A5	R669	2001-001121	R-CARBON(S);3.6KOHM,5%,1/2W,AA,TP,2.4X6.4
....5	EL23	AA60-40011B	EYELET;ID2.2,OD3.2,-,-,BSP-	S.N.A5	R670	2001-000085	R-CARBON(S);100KOHM,5%,1/2W,AA,TP,2.4X6.4
....5	EL24	AA60-40011B	EYELET;ID2.2,OD3.2,-,-,BSP-	S.N.A5	R671	2001-000066	R-CARBON(S);10KOHM,5%,1/2W,AA,TP,2.4X6.4
....5	EL25	AA60-40011B	EYELET;ID2.2,OD3.2,-,-,BSP-	S.N.A5	R672	2001-000066	R-CARBON(S);10KOHM,5%,1/2W,AA,TP,2.4X6.4
....5	EL26	AA60-40011B	EYELET;ID2.2,OD3.2,-,-,BSP-	S.N.A5	R673	2001-001086	R-CARBON(S);18KOHM,5%,1/2W,AA,TP,2.4X6.4
....5	EL27	AA60-40011B	EYELET;ID2.2,OD3.2,-,-,BSP-	S.N.A5	R673A	2001-001142	R-CARBON(S);3KOHM,5%,1/2W,AA,TP,2.4X6.4MM
....5	EL28	AA60-40011B	EYELET;ID2.2,OD3.2,-,-,BSP-	S.N.A5	R681	2004-001970	R-METAL(S);1.8Kohm,1%,1/2W,AA,TP,6.5x2.5
....5	EL29	AA60-40011B	EYELET;ID2.2,OD3.2,-,-,BSP-	S.N.A5	R682	2004-002019	R-METAL(S);33Kohm,1%,1/2W,AA,TP,2.5x6.5mm
....5	EL30	AA60-40011B	EYELET;ID2.2,OD3.2,-,-,BSP-	S.N.A5	R683	2004-002019	R-METAL(S);33Kohm,1%,1/2W,AA,TP,2.5x6.5mm
....5	EL31	AA60-40011A	EYELET;ID2.2,OD2.8,-,-,BST-	S.N.A5	R685	2004-001390	R-METAL(S);1Kohm,2%,1/2W,AA,TP,2.4x6.4mm
....5	EL32	AA60-40011B	EYELET;ID2.2,OD3.2,-,-,BSP-	S.N.A5	R686	2004-001390	R-METAL(S);1Kohm,2%,1/2W,AA,TP,2.4x6.4mm
....5	EY01	AA60-40011A	EYELET;ID2.0,OD2.8,-,-,BST-	S.N.A5	R687	2001-001146	R-CARBON(S);4.7OHM,5%,1/2W,AA,TP,2.4X6.4
....5	EY02	AA60-40011A	EYELET;ID2.0,OD2.8,-,-,BST-	S.N.A5	R689	2001-001146	R-CARBON(S);4.7OHM,5%,1/2W,AA,TP,2.4X6.4
....5	EY03	AA60-40011A	EYELET;ID2.0,OD2.8,-,-,BST-	S.N.A5	R690	2001-001144	R-CARBON(S);4.7KOHM,5%,1/2W,AA,TP,2.4X6.4
....5	EY04	AA60-40011A	EYELET;ID2.0,OD2.8,-,-,BST-	S.N.A5	R691	2001-001144	R-CARBON(S);4.7KOHM,5%,1/2W,AA,TP,2.4X6.4
....5	EY05	AA60-40011A	EYELET;ID2.0,OD2.8,-,-,BST-	S.N.A5	R701	2001-000786	R-CARBON;47KOHM,5%,1/8W,AA,TP,1.8X3.2MM
....5	EY06	AA60-40011A	EYELET;ID2.0,OD2.8,-,-,BST-	S.N.A5	R702	2001-000290	R-CARBON;10KOHM,5%,1/8W,AA,TP,1.8X3.2MM
....5	EY07	AA60-40011A	EYELET;ID2.0,OD2.8,-,-,BST-	S.N.A5	R703	2001-000290	R-CARBON;10KOHM,5%,1/8W,AA,TP,1.8X3.2MM
....5	EY08	AA60-40011A	EYELET;ID2.0,OD2.8,-,-,BST-	S.N.A5	R704	2001-000290	R-CARBON;10KOHM,5%,1/8W,AA,TP,1.8X3.2MM
....5	EY09	AA60-40011A	EYELET;ID2.0,OD2.8,-,-,BST-	S.N.A5	R888	2003-001098	R-METAL OXIDE(S);22Kohm,5%,3W,AA,TP,6x16
....5	EY10	AA60-40011A	EYELET;ID2.0,OD2.8,-,-,BST-	S.N.A5	RF101	2008-001116	R-FUSIBLE(S);0.68ohm,10%,2W,AG,TP,3.9x12
....5	EY11	AA60-40011A	EYELET;ID2.0,OD2.8,-,-,BST-	S.N.A5	RF104	2008-000266	R-FUSIBLE(S);1ohm,5%,2W,AF,TP,3.9x10mm
....5	EY12	AA60-40011A	EYELET;ID2.0,OD2.8,-,-,BST-	S.N.A5	RF121	2008-000253	R-FUSIBLE(S);0.47ohm,5%,1W,AF,TP,3.9x10mm
....5	EY13	AA60-40011A	EYELET;ID2.0,OD2.8,-,-,BST-	S.N.A5	RZ01	2001-000037	R-CARBON(S);330OHM,5%,1/2W,AA,TP,2.4X6.4
....5	EY14	AA60-40011A	EYELET;ID2.0,OD2.8,-,-,BST-	S.N.A5	RZ02	2001-000739	R-CARBON;4.7MOHM,5%,1/8W,AA,TP,1.8X3.2MM
....5	GTM02	AA60-40014A	PIN-GT,ASSY;1P,-,-,AUTO	S.N.A5	RZ101	2001-000429	R-CARBON;1KOHM,5%,1/8W,AA,TP,1.8X3.2MM
....5	GTM04	AA60-40014A	PIN-GT,ASSY;1P,-,-,AUTO	S.N.A5	RZ102	2001-000429	R-CARBON;1KOHM,5%,1/8W,AA,TP,1.8X3.2MM
....5	L100	2701-000159	INDUCTOR-AXIAL;22uH,10%,4.2x9.8mm	3	AA39-20577B	LEAD CONNECTOR ASSY;P54A/SVP-55W3HD,UL16	
....5	L101	2701-000115	INDUCTOR-AXIAL;10uH,10%,3x7mm	3	AA65-30018A	CLAMP-WIRE;DONG-A,NYLON-66,-,-,DATL-60	
....5	L102	2701-000159	INDUCTOR-AXIAL;22uH,10%,4.2x9.8mm	3	AA59-00218A	MODULE;SVP-5200,F301-P03,BK	
....5	L103	2701-000115	INDUCTOR-AXIAL;10uH,10%,3x7mm	3	0202-000187	SOLDER-WIRE FLUX;-RS60S,D1,2.63Sn/37Pb	

Loc. No.	Code No.	Description ; Specification	Remark
.....6 RD94	2007-000070	R-CHIP;0ohm,5%,1/16W,DA,TP,1608	
.....6 RD95	2007-000078	R-CHIP;1Kohm,5%,1/16W,DA,TP,1608	
.....6 RD96	2007-000077	R-CHIP;470ohm,5%,1/16W,DA,TP,1608	
.....6 RD97	2007-000077	R-CHIP;470ohm,5%,1/16W,DA,TP,1608	
.....6 RD98	2007-000070	R-CHIP;0ohm,5%,1/16W,DA,TP,1608	
....4	0202-001187	SOLDER-WIRE FLUX;-RS60S,D1.2,63Sn/37Pb	S.N.A
....4	0202-001167	SOLDER-CREAM;RX3603-2330HO,S45A,PASTE,SN	S.N.A
....3	AA65-30105B	CLAMP-WIRE;ALL MODEL,NYLON 66,V2,-,NTR,2	S.N.A
....3	AA65-30104B	CLAMP-WIRE;ALL MODEL,NYLON 66,V2,-,BLK,W	S.N.A
....2	AA94-08602A	ASSY PCB MISC-A/V FRONT;HCM653WX/XAA,P5	
....3 CNY01A	3711-003601	CONNECTOR-HEADER;BOX,12P,1R,2.5mm,ANGLE,	
....3 CNY702	3711-000447	CONNECTOR-HEADER;3WALL,3P,1R,2.5mm,ANGLE	
....3 CNYW01	AA39-00257A	LEAD CONNECTOR ASSY,12P67096-012,S,120	
....3 CNYW02	AA39-00260B	LEAD CONNECTOR ASSY,UL1007#26,UL/CSA,3P	
....3 JK101	3722-000544	JACK-VHS;4P,11.5mm,AG,BLK,N	
....3 JK102	3722-001164	JACK-PIN;3P,3.4mm,SN,WH;YE:RE,#16-22	
....3 SW101	3404-000208	SWITCH-TACT;12V,50mA,120gf,6x6mm,SPST	
....3	AA91-00762D	ASSY-JACK,SIDE;-P54A PAL XAA,W3	
....4	AA61-00793C	HOLDER-JACK;W3,ABS HB,BLK,DG703P	
....4	AA64-02085D	DOOR-AV;W3,ABS HB,BLK,DG703P	
....4	AA64-02086E	INLAY-AV;W3,PS SHEET,TO.5,P55A	S.N.A
....3	AA97-07147A	ASSY AUTO-A/V FRONT;HCL473WX/XAA,P54A,AA	S.N.A
....4 PCB	AA41-00499A	PCB-FRONT A/V;SVP-54T6SR,FR-1,1LA,1.6T,	S.N.A
....4 RK101	2001-000613	R-CARBON;3.9KOHM,5%,1/8W,AA,TP,1.8X3.2MM	
....3	0202-001187	SOLDER-WIRE FLUX;-RS60S,D1.2,63Sn/37Pb	S.N.A
....3	6003-001023	SCREW-TAPTITE;RWH,+B,M3,L10,ZPC(YEL),SW	S.N.A
....3	3301-001201	CORE-FERRITE;AE,21x11x32mm,1500,280G	

ASSY PRT

Loc. No.	Code No.	Description ; Specification	Remark
1 *	BP91-00022A	ASSY PRT;HCL652WX/XAA	S.N.A
....2	AA91-02201B	ASSY CPT-G;P16LSG03HKA,55,+380MGDELTA 2	
....3 BC+AL	AA60-10011A	SCREW-TAPTITE;-SWRCH18A,M4,L12,HH,+PC,	S.N.A
....3	AA61-00809B	HOLDER-CRT;PROJ,PC/ABS GF 20%,BLK	S.N.A
....3	AA61-00807B	CASE-COUPLER,G;PROJ,ALDC,T8,BLK	S.N.A
....3	AA61-00056B	BRACKET-LENS;PROJECTION,SECC,T1.6,-,-,-,	S.N.A
....3	AA60-00127B	SPACER-LENS;PROJ,SILICONE,D/GRAY	S.N.A
....3	AA91-00722A	ASSY-BRKT,CRT,SECC T1.6,PROJ	
....4	AA61-00473B	BRACKET-CRT;53,SECC,T1.6,-,-,-,	S.N.A
....4	AA61-00615B	BRACKET-EARTH;54J8,PBS,TO.5,-,-,-,-,	S.N.A
....4	AA61-00812A	SPRING-WIRE;PROJ,STS,3.6	S.N.A
....3	AA67-00158A	LENS;,DELTA 240,GREEN,C-ELEMENT	
....3	AA67-00146A	LENS-ASSY;,DELTA 260,CLEAR A/B	
....3	AA63-00076A	SPACER-LENS;PROJECTION,FELT ,,-,-,BROWN	S.N.A
....3	AA61-00810B	HOLDER-CAP;PROJ,PC,CLR	S.N.A
....3	AA26-30006F	TRANS-FLYBACK;-FWZ-50A001C,55',30KV	
....3	AA03-00201A	CDT MONO;P16LSG03HKA,FREE,3.30mH,2.20mH,	
....3	AA60-00126B	SPACER-CAP;PROJ,EPDM,BLK	S.N.A
....3	AA60-00125B	SPACER-CRT;53,SECC,T1.6,-,-,-,	S.N.A
....3	AA60-00074A	SPACER-DY;PJT,SILICON RUBBER,-,-,-,GRAY,	S.N.A
....3	AA39-00018A	LEAD CONNECTOR-ASSY,UL1015#22,UL/CSA,1P	
....3	AA27-00151A	DEFLECTION YOKE;-CDY-PT0702(X),PRT,P16L	
....2	AA91-02204A	ASSY CPT-B;P16LSG03BMB,65,+380MG,DELTA	
....3 BC+AL	AA60-10011A	SCREW-TAPTITE;-SWRCH18A,M4,L12,HH,+PC,	S.N.A
....3	AA61-00810B	HOLDER-CAP;PROJ,PC,CLR	S.N.A
....3	AA61-00809B	CASE-COUPLER,B;PROJ,ALDC,T8,BLK	S.N.A
....3	AA61-00056B	BRACKET-LENS;PROJECTION,SECC,T1.6,-,-,-,	S.N.A
....3	AA60-00128B	SPACER-CRT;PROJ(65),SILICONE,D/GRAY	S.N.A
....3	AA91-00722A	ASSY-BRKT,CRT,SECC T1.6,PROJ	
....4	AA61-00473B	BRACKET-CRT;53,SECC,T1.6,-,-,-,	S.N.A
....4	AA61-00615B	BRACKET-EARTH;54J8,PBS,TO.5,-,-,-,-,	S.N.A
....4	AA61-00812A	SPRING-WIRE;PROJ,STS,3.6	S.N.A
....3	AA67-00158A	LENS;,DELTA 240,CLEAR,C-ELEMENT	
....3	AA67-00146A	LENS-ASSY;,DELTA 260,CLEAR A/B	
....3	AA63-00076A	SPACER-LENS;PROJECTION,FELT ,,-,-,BROWN	S.N.A
....3	AA61-00811B	HOLDER-CRT;PROJ(65),PC/ABS GF 20%,BLK	S.N.A
....3	AA60-00127B	SPACER-LENS;PROJ,SILICONE,D/GRAY	S.N.A
....3	AA26-30006F	TRANS-FLYBACK;-FWZ-50A001C,55',30KV	
....3	AA03-00202A	CDT MONO;P16LSG03BMB,FREE,3.30mH,2.20mH,	
....3	AA60-00126B	SPACER-CAP;PROJ,EPDM,BLK	S.N.A
....3	AA60-00074A	SPACER-DY;PJT,SILICON RUBBER,-,-,-,GRAY,	S.N.A
....3	AA39-00018A	LEAD CONNECTOR-ASSY,UL1015#22,UL/CSA,1P	
....3	AA33-00008A	MAGNET CONVERGENCE;JH92LTU-36A,7inchPRT,	
....3	AA27-00151A	DEFLECTION YOKE;-CDY-PT0702(X),PRT,P16L	

ASSY COVER FRONT

Loc. No.	Code No.	Description ; Specification	Remark	
1 *	BP90-00001A	ASSY COVER FRONT;65W3,HCM653WX/XAA	S.N.A	
....2	AP+BCM	AA60-10011A	SCREW-TAPTITE;-SWRCH18A,M4,L12,HH,+PC,	S.N.A
....2	ASP+CW	6005-001004	SCREW-WOOD;HH,+M4,L27,BLK,SWRCH18A	
....2	BCM+CW	6006-001094	SCREW-ASS'Y WOOD;WW,HH,+M7,L32,ZPC(YEL)	S.N.A
....2	CBB+AP	6003-001019	SCREW-TAPTITE;RH,+B,M4,L12,ZPC(BLK),SWR	S.N.A
....2	CBB+CW	6005-001003	SCREW-WOOD;HH,+M4,L19,ZPC(BLK),SWRCH18A	
....2	CFB+CW	6005-001003	SCREW-WOOD;HH,+M4,L19,ZPC(BLK),SWRCH18A	
....2	FP+BCM	AA60-10011A	SCREW-TAPTITE;-SWRCH18A,M4,L12,HH,+PC,	S.N.A
....2	HC+CW	6005-001003	SCREW-WOOD;HH,+M4,L19,ZPC(BLK),SWRCH18A	
....2	HM+CW	6005-001003	SCREW-WOOD;HH,+M4,L19,ZPC(BLK),SWRCH18A	
....2	HV+BCM	AA60-10011A	SCREW-TAPTITE;-SWRCH18A,M4,L12,HH,+PC,	S.N.A
....2		AA91-00754D	ASSY-C/FRONT,MASK;ABS HB,DG703P65W3(HCM	
....3		AA64-02246B	BADGE-BRAND;55W3,AL FORGING,L78,DG703PS	S.N.A
....3		AA64-02078E	CABINET-FRONT,MASK,BOT;65W3,ABS HB,GRAY,	S.N.A
....4		AA64-02078A	CABINET-FRONT,MASK,BOT;65W3,ABS HB,GRAY,	S.N.A
....3		AA64-02077E	CABINET-FRONT,MASK,TOP;65W3,ABS HB,GRAY,	S.N.A
....4		AA64-02077A	CABINET-FRONT,MASK,TOP;65W3,ABS HB,L1441	S.N.A
....3		AA64-02060E	CABINET-FRONT,MASK(L);65W3,ABS HB,GRAY,D	S.N.A
....3		AA64-02060D	CABINET-FRONT,MASK(L);65W3,ABS HB,GRAY,D	S.N.A
....3		AA63-00380A	COVER-CORNER;PJT,POLYESTER,-,-,-,CLR,#	S.N.A
....3		AA63-00063A	SPACER-DUAL LOCK;SVP-614J,#400,-,-,-,-,	S.N.A
....2		AA73-00005B	RUBBER-CAP;FLAT,PRJ,SILICONE RUBBER,WHIT	
....2		AA67-00164A	MIRROR-FRONT;65W3,GLASS ,1177*891*614,FS	
....2		AA67-00133A	SUN SCREEN-AG;65W,-,T=82%,1468*864*2,-,	
....3		AA91-00757C	ASSY-DOOR,RACK;HB GRAY,SS1028+DG703P,W3	
....2	AHD+DR	6003-001019	SCREW-TAPTITE;RH,+B,M4,L12,ZPC(BLK),SWR	S.N.A
....3	DR+BD	6003-001019	SCREW-TAPTITE;RH,+B,M4,L12,ZPC(BLK),SWR	S.N.A
....3		AA64-02206B	WINDOW-DOOR;W3,GLASS,T3.0,BR	
....3		AA73-00007B	RUBBER-CAP;W3,MBR,GRAY,60	
....3		AA91-00758A	ASSY-HINGE,DOOR(R);SPRING,SECC T1.6 W3,W	
....3		AA64-02066E	DOOR-RACK;47.55.65W3,HIPS HB,GRAY,SS1028	
....3		AA61-00856B	BRACKET-DOOR;47W3,SECC,T1.0,BLK	S.N.A
....3		AA61-00782B	BRACKET-MAGNET;W3,SPC,T2.0,FZW	S.N.A
....2		AA91-00761C	ASSY-CABINET,WOOD;WOOD,MIJU,65W3	
....3	B+FRAM	AA60-10051A	SCREW-WOOD;-SWRCH18A,M4,L16,PH,+,-,ZP	S.N.A
....3	CAS+CW	AA60-10051A	SCREW-WOOD;-SWRCH18A,M4,L16,PH,+,-,ZP	S.N.A
....3	HCM+CW	AA60-10051A	SCREW-WOOD;-SWRCH18A,M4,L16,PH,+,-,ZP	S.N.A
....3	HCW+CW	AA60-10051A	SCREW-WOOD;-SWRCH18A,M4,L16,PH,+,-,ZP	S.N.A
....3	HM+CW	AA60-10051A	SCREW-WOOD;-SWRCH18A,M4,L16,PH,+,-,ZP	S.N.A
....3	HW+CW	AA60-10051A	SCREW-WOOD;-SWRCH18A,M3.5,L11,RH,+,-,-,	S.N.A
....3	RAIL+H	AA60-10051A	SCREW-WOOD;-SWRCH18A,M4,L16,PH,+,-,ZP	S.N.A
....3	SID+DO	AA60-10051A	SCREW-WOOD;-SWRCH18A,M4,L16,PH,+,-,ZP	S.N.A
....3	SPK+CW	AA60-10051A	SCREW-WOOD;-SWRCH18A,M4,L16,PH,+,-,ZP	S.N.A
....3		AA64-02209C	CABINET-WOOD;65W3,WOOD,MIJU	S.N.A
....3		AA63-00348B	COVER-DUCT;54,62J8,HIPS,-,-,-,HB,BLK,-,	S.N.A
....3		AA63-00193B	COVER-AIRVENT;533R,HIPS,-,-,-,VO,BLK,-,	S.N.A
....3		AA61-20219A	HOLDER-FRONT,BOT,E;ABS,HB,L40,BLK	S.N.A
....3		AA61-10387A	BRACKET-GRILLE;SVP-462J,SECC-1,TO.5,-,-,	S.N.A

Loc. No.	Code No.	Description ; Specification	Remark	Loc. No.	Code No.	Description ; Specification	Remark
...3	AA61-01117A	HOLDER-SENSOR,SIDE;W3,ABS HB,G3676,SIDE	S.N.A				
...3	AA61-01070A	HOLDER-CABINET,BOT(D);W3,ABS HB,L990,BLK	S.N.A				
...3	AA61-01067A	HOLDER-CABINET,BOT(A);W3,ABS HB,L40,BLK,	S.N.A				
...3	AA61-00999A	HOLDER-DUAL,LOCK;W3,W1,ABS HB,BLK	S.N.A				
...3	AA64-02319A	CABINET-HANDLE,WOOD;65W3,ABS HB,BLK	S.N.A				
...3	AA98-00049B	ASSY-LEAD,CON;- ,LEAD-CON,CORE,AA39-20505	S.N.A				
...4	3301-001201	CORE-FERRITE;AE,21x11x32mm,1500,280G	S.N.A				
...3	AA61-00508D	HOLDER-JERSEY;W3,ABS V0,GRAY,G4309	S.N.A				
...3	BP61-00075A	HOLDER-JERSEY,ASSY;W3,ABS V0,GRAY,63-000	S.N.A				
...4	AA63-00099C	SPACER-FELT;47W3,FELT,BLK,T0.35,30*30	S.N.A				
...4	AA61-00508D	HOLDER-JERSEY;W3,ABS V0,GRAY,G4309	S.N.A				
...3	AA39-00287B	LEAD CONNECTOR ASSY;PCL54RX,UL2547#26,UL	S.N.A				
...3	AA61-00973D	HOLDER-SCREEN,L;65W3,ABS HB,BLK	S.N.A				
...3	AA61-00971D	HOLDER-SCREEN,TB;65W3,ABS HB,L1262,BLK	S.N.A				
...3	AA91-00750A	ASSY-MAGNET,PUSH;MAGNET,WV3	S.N.A				
...3	AA65-00017A	CLAMP CORE-WIRE;ALL MODEL,NYLON6.6,BLK	S.N.A				
...3	AA61-00864A	HOLDER-PCB;W3,HIPS,V0,BLK	S.N.A				
...3	AA61-00097A	HOLDER-WIRE;- ,NYLON 6/6,-,-,NTR,-	S.N.A				
...3	AA61-00094C	HOLDER-RAIL;PCJ533R,ABS,-,-,BLK,HB,480	S.N.A				
...3	AA60-00134A	SPACER-COVER,DUST;65W3,SPONGE,T2.0,94HF-	S.N.A				
...3	AA60-00078B	SPACER-DUAL,LOCK;W3,#250,19*40	S.N.A				
...3	AA39-00042C	LEAD CONNECTOR-ASSY;,1.75UF,REC,REC,350M	S.N.A				
...3	6005-001006	SCREW-WOOD;FH,+,M3,L15.0,ZPC(BLK),SWRCH1	S.N.A				
...3	3001-000176	SPEAKER;30W,8ohm,93dB,65Hz	S.N.A				
...3	3001-000153	SPEAKER;20W,8ohm,93dB,1.3KHz	S.N.A				
...3	AA61-00357E	HOLDER-MIRROR;48J8,ABS,-,-,BLK,HB,L540	S.N.A				
...3	AA61-00858B	BRACKET-FRAME;W3,SECC,T2.0	S.N.A				
...3	AA61-00857B	BRACKET-NUT,INSERT;W3,M3 ZN	S.N.A				
...3	AA61-00795C	RAIL-DOOR,L;W3,ABS HB,BLK	S.N.A				
...3	AA61-00795B	RAIL-DOOR,R;W3,ABS HB,BLK	S.N.A				
...3	AA61-00792C	HOLDER-SENSOR;W3,ABS HB,BLK	S.N.A				
...3	AA61-00790C	HOLDER-MASK;W3,ABS HB,L610,BLK	S.N.A				
...3	AA61-00507B	HOLDER-CABINET,WOOD;43,54,62J8,ABS,-,-	S.N.A				
...3	AA61-00506B	HOLDER-CRT,MAIN;43,54,62J8,HIPS,-,-,BL	S.N.A				
...3	AA61-00458B	CASTER;- ,TP4020-05 PLY,- ,OH56,-,-,SR44.4	S.N.A				
..2	AA67-00202A	SCREEN-TINT;65W,1466*862,T=0.73,P=0.52	S.N.A				
..2	AA91-00755M	ASSY-C/FRONT,BOT;HIPS V0,SS1028+DG703P,	S.N.A				
...3	AA64-02064K	CABINET-FRONT,BOT;55,65W3,HIPS V0,GRAY,S	S.N.A				
...3	AA64-02080C	KNOB POWER;W3,ABS HB,BLK,BL903	S.N.A				
...3	AA64-02081B	KNOB-CH,VOL;W3,ABS HB,BLK,CHROME,GLOSSY	S.N.A				
...3	AA64-02082B	WINDOW-RMC,LED;W3,PC,CLEAR	S.N.A				
...3	AA64-02205C	BADGE-DECORATION;W3,NI+AL FORGING+NI,DG7	S.N.A				
...3	6003-001026	SCREW-TAPTITE;RH,+,B,M4,L15,ZPC(BLK),SWR	S.N.A				
...3	AA61-00785B	GUIDE-KNOB,POWER;W3,ABS HB ,BLK,CHROME,G	S.N.A				
...3	AA61-00786C	HOLDER-CONTROL;W3,ABS HB,BLK,BL903	S.N.A				
...3	AA61-00791B	HOLDER-FRONT,BOT;W3,ABS HB,L40,BLK,DO	S.N.A				
...3	AA61-01068A	HOLDER-CABINET,BOT(B);W3,ABS HB,L40,BLK,	S.N.A				
...3	AA61-60003J	SPRING-CS;- ,SUS304,-,-,OD6,N7,OD6,-,-,-	S.N.A				
..2	AA61-00972D	HOLDER-SCREEN,R;65W3,ABS HB,BLK	S.N.A				
..2	6001-000137	SCREW-MACHINE;BH,+,M3,L8,ZPC(YEL),SM20C,	S.N.A				
..2	AA26-00101A	TRANS FB;FWZ50A001E/FFA97513B,12KV,5P,-	S.N.A				
..2	AA60-00133A	SPACER-COVER,DUST;65W3,94HF-1,T2.0	S.N.A				
..2	AA61-00357H	HOLDER-MIRROR;W3,ABS HB,L1060,BLK	S.N.A				
..2	AA61-00475B	BRACKET-CRT,MAIN;54,SECC,T1.6,-,-,-	S.N.A				
..2	AA63-60131A	SPACER-FELT;SVP403J,FELT,-,-,-,BLK,T0.5,	S.N.A				
..2	AA67-00125B	SCREEN-FRESNEL;65W,- ,T2,1468*864,-,-,-	S.N.A				
						ASSY LABEL	
1	*	AA92-05190A	ASSY LABEL;HCM653WX/XAA,SEA,P54A,	S.N.A			
						ASSY COVER REAR	
1	*	BP90-00002A	ASSY COVER REAR;65W3,HCM653WX/XAA	S.N.A			
..2		AA64-01395G	INLAY-TERMINAL;J7,J8,PS SHEET,T0.5,-,-,B	S.N.A			
..2		AA64-02074B	INLAY-SPEAKER;J7,J8,J9,PS SHEET,T0.5,-,-	S.N.A			
..2		AA64-02596A	CABINET BACK-BOT;55W3,HIPS V0,BLK	S.N.A			
..2		AA64-60421C	INLAY-COVER;- ,PS,T0.3,-,-,BLK,SEA	S.N.A			
						ASSY BOX	
1	*	BP92-00003A	ASSY BOX;65W3,HCM653WX/XAA	S.N.A			
						ASSY P/MATERIAL	
1	*	BP92-00002A	ASSY P/MATERIAL;65W3,HCM653WX/XAA	S.N.A			
..2		AA61-20285A	HOLDER-BOX;3456,PP,-,-,-,WHT,V0	S.N.A			
						ASSY ACCESSORY	
1	*	AA92-03258C	ASSY ACCESSORY;HCL473WX/XAA	S.N.A			
..2		AA68-01509D	MANUAL USERS;HCM5525/553/653,ENG,W/P100G	S.N.A			
..2		AA39-00006A	CABLE-RCA;3000MM	S.N.A			
..2		AA59-00176A	REMOCON;- ,TM63,SHARK,51,L/GRAY,DO,-,-,-	S.N.A			
..3		2802-000194	RESONATOR-CERAMIC;8MHz,1.0%,TP8.5x4.5x5	S.N.A			
..3		AA09-00275A	IC MICOM;Z86L8808SSC-R51PX,SOP,ST,SZTM-8	S.N.A			
..2		AA61-20126A	HOLDER-LEG;- ,ABS,-,-,-,BLK,HB	S.N.A			

Loc. No.	Code No.	Description ; Specification	Remark	Loc. No.	Code No.	Description ; Specification	Remark
...4	GT26	AA60-40014A PIN-GT,ASSY;1P,-,AUTO	S.N.A	...4	R355	2001-000857 R-CARBON;5600HM,5%,1/8W,AA,TP,1.8X3.2MM	
...4	GT27	AA60-40014A PIN-GT,ASSY;1P,-,AUTO	S.N.A	...4	R356	2001-000591 R-CARBON;3.3KOHM,5%,1/8W,AA,TP,1.8X3.2MM	
...4	GT28	AA60-40014A PIN-GT,ASSY;1P,-,AUTO	S.N.A	...4	R357	2001-000591 R-CARBON;3.3KOHM,5%,1/8W,AA,TP,1.8X3.2MM	
...4	GT29	AA60-40014A PIN-GT,ASSY;1P,-,AUTO	S.N.A	...4	R358	2001-000857 R-CARBON;5600HM,5%,1/8W,AA,TP,1.8X3.2MM	
...4	GT30	AA60-40014A PIN-GT,ASSY;1P,-,AUTO	S.N.A	...4	R359	2001-000109 R-CARBON(S);4700HM,5%,1/2W,AA,TP,2.4X6.4	
...4	GT31	AA60-40014A PIN-GT,ASSY;1P,-,AUTO	S.N.A	...4	R360	2001-000723 R-CARBON;4.3KOHM,5%,1/8W,AA,TP,1.8X3.2MM	
...4	GT32	AA60-40014A PIN-GT,ASSY;1P,-,AUTO	S.N.A	...4	R361	2004-001395 R-METAL(S);330Kohm,2%,1/2W,AA,TP,2.4x6.4	
...4	GT33	AA60-40014A PIN-GT,ASSY;1P,-,AUTO	S.N.A	...4	R362	2004-001395 R-METAL(S);330Kohm,2%,1/2W,AA,TP,2.4x6.4	
...4	GT34	AA60-40014A PIN-GT,ASSY;1P,-,AUTO	S.N.A	...4	R363	2004-001395 R-METAL(S);330Kohm,2%,1/2W,AA,TP,2.4x6.4	
...4	GT35	AA60-40014A PIN-GT,ASSY;1P,-,AUTO	S.N.A	...4	R364	2004-001395 R-METAL(S);330Kohm,2%,1/2W,AA,TP,2.4x6.4	
...4	GT37	AA60-40014A PIN-GT,ASSY;1P,-,AUTO	S.N.A	...4	R365	2004-001395 R-METAL(S);330Kohm,2%,1/2W,AA,TP,2.4x6.4	
...4	GT403	AA60-40014A PIN-GT,ASSY;1P,-,AUTO	S.N.A	...4	R366	2002-001006 R-COMPOSITION;4.7KOHM,15%,1/2W,AA,TP,3.7	
...4	GT404	AA60-40014A PIN-GT,ASSY;1P,-,AUTO	S.N.A	...4	R384	2001-001150 R-CARBON(S);470KOHM,5%,1/2W,AA,TP,2.4X6.4	
...4	GT405	AA60-40014A PIN-GT,ASSY;1P,-,AUTO	S.N.A	...4	R385	2001-000577 R-CARBON;2KOHM,5%,1/8W,AA,TP,1.8X3.2MM	
...4	GT812A	AA60-40014A PIN-GT,ASSY;1P,-,AUTO	S.N.A	...4	R386	2001-000786 R-CARBON;47KOHM,5%,1/8W,AA,TP,1.8X3.2MM	
...4	GT813A	AA60-40014A PIN-GT,ASSY;1P,-,AUTO	S.N.A	...4	R387	2001-000009 R-CARBON;22KOHM,5%,1/8W,AA,TP,1.8X3.2MM	
...4	GT814A	AA60-40014A PIN-GT,ASSY;1P,-,AUTO	S.N.A	...4	R388	2001-000522 R-CARBON;22KOHM,5%,1/8W,AA,TP,1.8X3.2MM	
△	ICR01S	1203-001217 IC-POS,ADJUST REG.;431,TO-92,3P4.58MIL		...4	R389	2001-000577 R-CARBON;2KOHM,5%,1/8W,AA,TP,1.8X3.2MM	
...4	L341	2701-000116 INDUCTOR-AXIAL;10uH,10%,4.2x9.8mm		...4	R397	2001-000429 R-CARBON;1KOHM,5%,1/8W,AA,TP,1.8X3.2MM	
...4	L480	2901-000297 FILTER-EMI ON BOARD;-.3A,-,-,3.5x5,TP-		...4	R405	2009-001109 R-TEMPERATURE;240ohm,5%,1/4W,AA,TP,2.3x6	
...4	L481	3301-000287 CORE-FERRITE BEAD;AA,3.5x1.0x6.0mm,1500,		...4	R406	2004-001983 R-METAL(S);2.49Kohm,1%,1/2W,AA,TP,2.4x6.4	
...4	L482	3301-000374 CORE-FERRITE BEAD;AA,3.5x1.0x9.0mm,-,-		...4	R407	2004-001897 R-METAL(S);43.2Kohm,1%,1/2W,AA,TP,2.5x6.4	
...4	L483	2901-000299 FILTER-EMI ON BOARD;-.6A,UL/CSA,-,9x7.5,		...4	R408	2004-001402 R-METAL(S);6.8Kohm,1%,1/2W,AA,TP,2.4x6.4	
...4	L493	3301-000287 CORE-FERRITE BEAD;AA,3.5x1.0x6.0mm,1500,		...4	R409	2001-001178 R-CARBON(S);6800HM,5%,1/2W,AA,TP,2.4X6.4	
...4	L494	3301-000374 CORE-FERRITE BEAD;AA,3.5x1.0x9.0mm,-,-		...4	R410	2001-000052 R-CARBON(S);3.3KOHM,5%,1/2W,AA,TP,2.4X6.4	
...4	L495	3301-000287 CORE-FERRITE BEAD;AA,3.5x1.0x6.0mm,1500,		...4	R411	2008-001113 R-FUSIBLE(S);0.22ohm,10%,2W,AG,TP,3.9x12	
...4	L499	2901-000297 FILTER-EMI ON BOARD;-.3A,-,-,3.5x5,TP-		...4	R412	2001-000362 R-CARBON;1500HM,5%,1/8W,AA,TP,1.8X3.2MM	
...4	LS801	2901-000297 FILTER-EMI ON BOARD;-.3A,-,-,3.5x5,TP-		...4	R413	2001-001088 R-CARBON(S);1KOHM,5%,1/2W,AA,TP,2.4X6.4M	
...4	LS802	2901-000297 FILTER-EMI ON BOARD;-.3A,-,-,3.5x5,TP-		...4	R414	2001-000734 R-CARBON;4.7KOHM,5%,1/8W,AA,TP,1.8X3.2MM	
...4	LZ107	2701-000142 INDUCTOR-AXIAL;1uH,10%,2.5x3.4mm		...4	R415	2001-000734 R-CARBON;4.7KOHM,5%,1/8W,AA,TP,1.8X3.2MM	
...4	LZ108	2701-000142 INDUCTOR-AXIAL;1uH,10%,2.5x3.4mm		...4	R416	2001-000006 R-CARBON;2.4KOHM,5%,1/8W,AA,TP,1.8X3.2MM	
...4	LZ109	2701-000142 INDUCTOR-AXIAL;1uH,10%,2.5x3.4mm		...4	R417	2001-000515 R-CARBON;2200HM,5%,1/8W,AA,TP,1.8X3.2MM	
...4	LZ110	2701-000142 INDUCTOR-AXIAL;1uH,10%,2.5x3.4mm		...4	R418	2001-000290 R-CARBON;10KOHM,5%,1/8W,AA,TP,1.8X3.2MM	
...4	LZ111	2701-000142 INDUCTOR-AXIAL;1uH,10%,2.5x3.4mm		...4	R419	2001-000290 R-CARBON;10KOHM,5%,1/8W,AA,TP,1.8X3.2MM	
...4	LZ112	2701-000142 INDUCTOR-AXIAL;1uH,10%,2.5x3.4mm		...4	R420	2001-000281 R-CARBON;1000HM,5%,1/8W,AA,TP,1.8X3.2MM	
...4	PCB	AA41-00340C PCB-SUB;PCL545R,CEM-1,1L,C,1.6T,330X245,	S.N.A	...4	R421	2003-002159 R-METAL OXIDE;1500HM,5%,1W,AG,TP,4.3X12M	
...4	Q301	0501-000389 TR-SMALL SIGNAL;KSC815,NPN,400mW,TO-92,T		...4	R422	2001-000028 R-CARBON(S);1000HM,5%,1/2W,AA,TP,2.4X6.4	
...4	Q350	0501-000389 TR-SMALL SIGNAL;KSC815,NPN,400mW,TO-92,T		...4	R423	2001-000613 R-CARBON;3.9KOHM,5%,1/8W,AA,TP,1.8X3.2MM	
...4	Q351	0501-000389 TR-SMALL SIGNAL;KSC815,NPN,400mW,TO-92,T		...4	R424	2008-001022 R-FUSIBLE(S);10ohm,5%,1W,AF,TP,2.5x6.5mm	
...4	Q352	0501-000386 TR-SMALL SIGNAL;KSC2330-Y,NPN,1W,TO-92L,		...4	R425	2003-000417 R-METAL OXIDE(S);1.2Kohm,5%,3W,AA,TP,6x1	
...4	Q381	0501-000389 TR-SMALL SIGNAL;KSC815,NPN,400mW,TO-92,T		...4	R426	2003-002153 R-METAL OXIDE;4.70HM,5%,2W,AG,TP,6X16MM	
...4	Q382	0501-000389 TR-SMALL SIGNAL;KSC815,NPN,400mW,TO-92,T		...4	R427	2003-002279 R-METAL OXIDE(S);1.20HM,5%,2W,AG,TP,5.6X	
...4	Q401	0501-000389 TR-SMALL SIGNAL;KSC815,NPN,400mW,TO-92,T		...4	R427A	2003-002279 R-METAL OXIDE(S);2.0HM,5%,2W,AG,TP,5.6X	
...4	Q402	0501-000389 TR-SMALL SIGNAL;KSC815,NPN,400mW,TO-92,T		...4	R428	2002-001017 R-COMPOSITION;1Kohm,10%,1/2W,AA,TP,3.7x9	
...4	Q421	0501-000389 TR-SMALL SIGNAL;KSC815,NPN,400mW,TO-92,T		...4	R428A	2002-001017 R-COMPOSITION;1Kohm,10%,1/2W,AA,TP,3.7x9	
...4	Q422	0505-000156 FET-SILICON;IRF620,N,200V,5A,0.8ohm,50W,		...4	R429	2003-000586 R-METAL OXIDE(S);22Kohm,5%,2W,AF,TP,4x12	
...4	Q432	0501-000283 TR-SMALL SIGNAL;KSA539,PNP,400mW,TO-92,T		...4	R430	2003-000586 R-METAL OXIDE(S);22Kohm,5%,2W,AF,TP,4x12	
...4	Q435	0501-000369 TR-SMALL SIGNAL;KSC2331-Y,NPN,1000mW,TO-		...4	R432	2001-001144 R-CARBON(S);4.7KOHM,5%,1/2W,AA,TP,2.4X6.4	
...4	Q436	0501-000389 TR-SMALL SIGNAL;KSC815,NPN,400mW,TO-92,T		...4	R433	2001-001155 R-CARBON(S);5.6KOHM,5%,1/2W,AA,TP,2.4X6.4	
...4	Q451	0501-000389 TR-SMALL SIGNAL;KSC815,NPN,400mW,TO-92,T		...4	R434	2001-001093 R-CARBON(S);2.2KOHM,5%,1/2W,AA,TP,2.4X6.4	
...4	Q461	0501-000389 TR-SMALL SIGNAL;KSC815,NPN,400mW,TO-92,T		...4	R435	2001-001107 R-CARBON(S);220ohm,5%,1/2W,AA,TP,2.4x6.4	
...4	Q471	0501-000389 TR-SMALL SIGNAL;KSC815,NPN,400mW,TO-92,T		...4	R436	2001-001182 R-CARBON(S);7.5KOHM,5%,1/2W,AA,TP,2.4X6.4	
...4	Q472	0505-000156 FET-SILICON;IRF620,N,200V,5A,0.8ohm,50W,		...4	R437	2008-001087 R-FUSIBLE(S);1.8ohm,5%,2W,AG,TP,3.9x12mm	
...4	Q474	0501-000389 TR-SMALL SIGNAL;KSC815,NPN,400mW,TO-92,T		...4	R438	2001-000085 R-CARBON(S);100KOHM,5%,1/2W,AA,TP,2.4X6.4	
...4	Q481	0501-000389 TR-SMALL SIGNAL;KSC815,NPN,400mW,TO-92,T		...4	R439	2001-000085 R-CARBON(S);100KOHM,5%,1/2W,AA,TP,2.4X6.4	
...4	Q482	0501-000283 TR-SMALL SIGNAL;KSA539,PNP,400mW,TO-92,T		...4	R440	2008-000282 R-FUSIBLE;0.47ohm,5%,1W,AA,TP,3.9x12mm	
△	QR401S	0501-000283 TR-SMALL SIGNAL;KSA539,PNP,400mW,TO-92,T		...4	R441	2008-000253 R-FUSIBLE(S);0.47ohm,5%,1W,AF,TP,3.9x10m	
...4	QS801	0501-000369 TR-SMALL SIGNAL;KSC2331-Y,NPN,1000mW,TO-		...4	R442	2008-000253 R-FUSIBLE(S);0.47ohm,5%,1W,AF,TP,3.9x10m	
...4	R301	2004-001897 R-METAL(S);43.2Kohm,1%,1/2W,AA,TP,2.5x6.4		...4	R442A	2008-000253 R-FUSIBLE(S);0.47ohm,5%,1W,AF,TP,3.9x10m	
...4	R302	2004-001897 R-METAL(S);43.2Kohm,1%,1/2W,AA,TP,2.5x6.4		...4	R443	2003-002156 R-METAL OXIDE;5600HM,5%,2W,AG,TP,6X16MM	
...4	R303	2004-001984 R-METAL(S);26.7Kohm,1%,1/2W,AA,TP,2.4x6.4		...4	R443A	2003-002156 R-METAL OXIDE;5600HM,5%,2W,AG,TP,6X16MM	
...4	R305	2004-001984 R-METAL(S);26.7Kohm,1%,1/2W,AA,TP,2.4x6.4		...4	R444	2003-000995 R-METAL OXIDE(S);3.3Kohm,5%,2W,AF,TP,3.9	
...4	R306	2003-002129 R-METAL OXIDE(S);3.9ohm,5%,2W,AF,TP,3.9x		...4	R445	2008-000253 R-FUSIBLE(S);0.47ohm,5%,1W,AF,TP,3.9x10m	
...4	R307	2003-002129 R-METAL OXIDE(S);3.9ohm,5%,2W,AF,TP,3.9x		...4	R446	2001-000734 R-CARBON;4.7KOHM,5%,1/8W,AA,TP,1.8X3.2MM	
...4	R308	2001-000016 R-CARBON(S);10HM,5%,1/2W,AA,TP,2.4X6.4MM		...4	R447	2008-000253 R-FUSIBLE(S);0.47ohm,5%,1W,AF,TP,3.9x10m	
...4	R310	2003-002009 R-METAL OXIDE(S);390ohm,5%,2W,AF,TP,3.9x		...4	R448	2001-000258 R-CARBON;1.8KOHM,5%,1/8W,AA,TP,1.8X3.2MM	
...4	R312	2001-000290 R-CARBON;10KOHM,5%,1/8W,AA,TP,1.8X3.2MM		...4	R449	2008-000253 R-FUSIBLE(S);0.47ohm,5%,1W,AF,TP,3.9x10m	
...4	R313	2001-000761 R-CARBON;4300HM,5%,1/8W,AA,TP,1.8X3.2MM		...4	R454	2001-000761 R-CARBON;4300HM,5%,1/8W,AA,TP,1.8X3.2MM	
...4	R314	2001-000761 R-CARBON;4300HM,5%,1/8W,AA,TP,1.8X3.2MM		...4	R455	2001-000761 R-CARBON;4300HM,5%,1/8W,AA,TP,1.8X3.2MM	
...4	R332	2001-001107 R-CARBON(S);220ohm,5%,1/2W,AA,TP,2.4x6.4		...4	R456	2001-000761 R-CARBON;4300HM,5%,1/8W,AA,TP,1.8X3.2MM	
...4	R333	2001-001107 R-CARBON(S);220ohm,5%,1/2W,AA,TP,2.4x6.4		...4	R458	2001-000577 R-CARBON;2KOHM,5%,1/8W,AA,TP,1.8X3.2MM	
...4	R334	2001-001107 R-CARBON(S);220ohm,5%,1/2W,AA,TP,2.4x6.4		...4	R459	2001-001192 R-CARBON(S);8200HM,5%,1/2W,AA,TP,2.4X6.4	
...4	R350	2001-000878 R-CARBON;6.2KOHM,5%,1/8W,AA,TP,1.8X3.2MM		...4	R460	2003-002044 R-METAL OXIDE(S);100ohm,5%,1W,AF,TP,2.5x	
...4	R351	2001-000008 R-CARBON;15KOHM,5%,1/8W,AA,TP,1.8X3.2MM		...4	R461	2001-000613 R-CARBON;3.9KOHM,5%,1/8W,AA,TP,1.8X3.2MM	
...4	R352	2001-000837 R-CARBON;51KOHM,5%,1/8W,AA,TP,1.8X3.2MM		...4	R462	2008-001145 R-FUSIBLE;4.70HM,5%,1/2W,AF,TP,2.5X6.5MM	
...4	R353	2001-000660 R-CARBON;33KOHM,5%,1/8W,AA,TP,1.8X3.2MM		...4	R463	2003-001024 R-METAL OXIDE(S);150ohm,5%,2W,AF,TP,3.9x	
...4	R354	2001-000734 R-CARBON;4.7KOHM,5%,1/8W,AA,TP,1.8X3.2MM		...4	R464	2003-002158 R-METAL OXIDE;0.680HM,5%,1W,AG,TP,4.3X12	

Loc. No.	Code No.	Description ; Specification	Remark	Loc. No.	Code No.	Description ; Specification	Remark
.....6 PC24	2203-001603	C-CERAMIC,CHIP;220nF,10%,16V,X7R,TP,2012	6 SL05	3301-001324	CORE-FERRITE BEAD;AB,150HM,2X1.25X0.9MM,	
.....6 PC25	2203-000140	C-CERAMIC,CHIP;1.5nF,10%,50V,X7R,TP,1608	6 SL06	3301-001324	CORE-FERRITE BEAD;AB,150HM,2X1.25X0.9MM,	
.....6 PC26	2203-000838	C-CERAMIC,CHIP;0.39nF,5%,50V,NPO,TP,1608	6 SL08	3301-001324	CORE-FERRITE BEAD;AB,150HM,2X1.25X0.9MM,	
.....6 PC28	2203-000975	C-CERAMIC,CHIP;47nF,10%,25V,X7R,TP,1608,	6 SL09	3301-001186	CORE-FERRITE BEAD;AB,600ohm,3.2x1.6x1.3m	
.....6 PC29	2203-000181	C-CERAMIC,CHIP;100nF,+80-20%,25V,Y5V,TP,	6 SR01	2007-000074	R-CHIP;100ohm,5%,1/16W,DA,TP,1608	
.....6 PC30	2203-000181	C-CERAMIC,CHIP;100nF,+80-20%,25V,Y5V,TP,	6 SR02	2007-000074	R-CHIP;100ohm,5%,1/16W,DA,TP,1608	
.....6 PC31	2203-000181	C-CERAMIC,CHIP;100nF,+80-20%,25V,Y5V,TP,	6 SR03	2007-000074	R-CHIP;100ohm,5%,1/16W,DA,TP,1608	
.....6 PC32	2203-000181	C-CERAMIC,CHIP;100nF,+80-20%,25V,Y5V,TP,	6 SR04	2011-000585	R-NETWORK;47ohm,5%,63mW,L,CHIP,8P,TP	
.....6 PC33	2203-000181	C-CERAMIC,CHIP;100nF,+80-20%,25V,Y5V,TP,	6 SR05	2011-000585	R-NETWORK;47ohm,5%,63mW,L,CHIP,8P,TP	
.....6 PC34	2203-000181	C-CERAMIC,CHIP;100nF,+80-20%,25V,Y5V,TP,	6 SR06	2011-000585	R-NETWORK;47ohm,5%,63mW,L,CHIP,8P,TP	
.....6 PC35	2203-000181	C-CERAMIC,CHIP;100nF,+80-20%,25V,Y5V,TP,	6 SR07	2011-000585	R-NETWORK;47ohm,5%,63mW,L,CHIP,8P,TP	
.....6 PC36	2203-000181	C-CERAMIC,CHIP;100nF,+80-20%,25V,Y5V,TP,	6 SR08	2007-000074	R-CHIP;100ohm,5%,1/16W,DA,TP,1608	
.....6 PC37	2203-000181	C-CERAMIC,CHIP;100nF,+80-20%,25V,Y5V,TP,	6 SR09	2007-000074	R-CHIP;100ohm,5%,1/16W,DA,TP,1608	
.....6 PC38	2203-000181	C-CERAMIC,CHIP;100nF,+80-20%,25V,Y5V,TP,	6 SR11	2007-000074	R-CHIP;100ohm,5%,1/16W,DA,TP,1608	
.....6 PC39	2203-000181	C-CERAMIC,CHIP;100nF,+80-20%,25V,Y5V,TP,	6 SR12	2007-001056	R-CHIP;6.2Kohm,5%,1/16W,DA,TP,1608	
.....6 PC40	2203-000181	C-CERAMIC,CHIP;100nF,+80-20%,25V,Y5V,TP,	6 SR13	2007-000402	R-CHIP;150ohm,5%,1/16W,DA,TP,1608	
.....6 PC42	2203-000181	C-CERAMIC,CHIP;100nF,+80-20%,25V,Y5V,TP,	6 SR14	2007-001167	R-CHIP;75ohm,5%,1/16W,DA,TP,1608	
.....6 PC47	2203-000236	C-CERAMIC,CHIP;0.1nF,5%,50V,NPO,TP,1608	6 SR15	2007-001167	R-CHIP;75ohm,5%,1/16W,DA,TP,1608	
.....6 PC48	2203-000236	C-CERAMIC,CHIP;0.1nF,5%,50V,NPO,TP,1608	6 SR16	2007-000402	R-CHIP;150ohm,5%,1/16W,DA,TP,1608	
.....6 PC49	2203-000236	C-CERAMIC,CHIP;0.1nF,5%,50V,NPO,TP,1608	6 SR17	2007-001167	R-CHIP;75ohm,5%,1/16W,DA,TP,1608	
.....6 PC52	2203-001603	C-CERAMIC,CHIP;220nF,10%,16V,X7R,TP,2012	6 SR18	2007-001167	R-CHIP;75ohm,5%,1/16W,DA,TP,1608	
.....6 PC53	2203-000181	C-CERAMIC,CHIP;100nF,+80-20%,25V,Y5V,TP,	6 SR19	2007-000381	R-CHIP;13Kohm,5%,1/16W,DA,TP,1608	
.....6 PC54	2203-0001603	C-CERAMIC,CHIP;220nF,10%,16V,X7R,TP,2012	6 SR21	2007-000402	R-CHIP;150ohm,5%,1/16W,DA,TP,1608	
.....6 PC55	2203-005590	C-CERAMIC,CHIP;330nF,10%,16V,X7R,TP,2012	6 SR22	2007-001167	R-CHIP;75ohm,5%,1/16W,DA,TP,1608	
.....6 PC56	2203-005590	C-CERAMIC,CHIP;330nF,10%,16V,X7R,TP,2012	6 SR23	2007-001167	R-CHIP;75ohm,5%,1/16W,DA,TP,1608	
.....6 PC57	2203-005590	C-CERAMIC,CHIP;330nF,10%,16V,X7R,TP,2012	6 SR24	2007-000090	R-CHIP;10KOHM,5%,1/16W,DA,TP,1608	
.....6 PC58	2203-005590	C-CERAMIC,CHIP;330nF,10%,16V,X7R,TP,2012	6 SR25	2007-000401	R-CHIP;150OHM,5%,1/10W,DA,TP,2012	
.....6 PC78	2203-000181	C-CERAMIC,CHIP;100nF,+80-20%,25V,Y5V,TP,	6 YC01	2203-002494	C-CERAMIC,CHIP;470nF,10%,16V,X7R,TP,2012	
.....6 PCB	AA41-004188	PCB-DW;SP55W3HR,FR-4,4L,C,1.6T,245X245,J	S.N.A6 YC02	2203-002494	C-CERAMIC,CHIP;470nF,10%,16V,X7R,TP,2012	
.....6 PIC01	1204-001598	IC-VIDEO PROCESS;VPC3230D-B2,QFP,80P,-P	6 YC03	2203-002494	C-CERAMIC,CHIP;470nF,10%,16V,X7R,TP,2012	
.....6 PIC02	1109-001144	IC-FIFO;81V0416D,2x256Kx8Bit,TQFP,100P,1	6 YC04	2203-002494	C-CERAMIC,CHIP;470nF,10%,16V,X7R,TP,2012	
.....6 PIC04	1203-001419	IC-VOLTAGE REGULATOR;4931,TO-252,3P,6.6x	6 YC05	2203-002494	C-CERAMIC,CHIP;470nF,10%,16V,X7R,TP,2012	
.....6 PLO1	3301-001324	CORE-FERRITE BEAD;AB,150HM,2X1.25X0.9MM,	6 YC06	2203-002494	C-CERAMIC,CHIP;470nF,10%,16V,X7R,TP,2012	
.....6 PLO2	3301-001324	CORE-FERRITE BEAD;AB,150HM,2X1.25X0.9MM,	6 YC07	2203-002494	C-CERAMIC,CHIP;470nF,10%,16V,X7R,TP,2012	
.....6 PR01	2007-001166	R-CHIP;750HM,5%,1/10W,DA,TP,2012	6 YC08	2203-002494	C-CERAMIC,CHIP;470nF,10%,16V,X7R,TP,2012	
.....6 PR02	2007-001166	R-CHIP;750HM,5%,1/10W,DA,TP,2012	6 YC09	2203-002494	C-CERAMIC,CHIP;470nF,10%,16V,X7R,TP,2012	
.....6 PR03	2007-000074	R-CHIP;100ohm,5%,1/16W,DA,TP,1608	6 YC10	2203-002494	C-CERAMIC,CHIP;470nF,10%,16V,X7R,TP,2012	
.....6 PR04	2007-000074	R-CHIP;100ohm,5%,1/16W,DA,TP,1608	6 YC11	2203-002494	C-CERAMIC,CHIP;470nF,10%,16V,X7R,TP,2012	
.....6 PR06	2007-000072	R-CHIP;47ohm,5%,1/16W,DA,TP,1608	6 YC12	2203-002494	C-CERAMIC,CHIP;470nF,10%,16V,X7R,TP,2012	
.....6 PR07	2007-000072	R-CHIP;47ohm,5%,1/16W,DA,TP,1608	6 YC13	2203-002494	C-CERAMIC,CHIP;470nF,10%,16V,X7R,TP,2012	
.....6 PR08	2007-000072	R-CHIP;47ohm,5%,1/16W,DA,TP,1608	6 YC14	2203-002494	C-CERAMIC,CHIP;470nF,10%,16V,X7R,TP,2012	
.....6 PR11	2007-000029	R-CHIP;00HM,5%,1/10W,DA,TP,2012	6 YC15	2203-002494	C-CERAMIC,CHIP;470nF,10%,16V,X7R,TP,2012	
.....6 PR12	2007-000029	R-CHIP;00HM,5%,1/10W,DA,TP,2012	6 YC16	2203-002494	C-CERAMIC,CHIP;470nF,10%,16V,X7R,TP,2012	
.....6 PR19	2007-000029	R-CHIP;00HM,5%,1/10W,DA,TP,2012	6 YC17	2203-002494	C-CERAMIC,CHIP;470nF,10%,16V,X7R,TP,2012	
.....6 PR20	2007-000290	R-CHIP;100OHM,5%,1/10W,DA,TP,2012	6 YC18	2203-002494	C-CERAMIC,CHIP;470nF,10%,16V,X7R,TP,2012	
.....6 SC02	2203-000181	C-CERAMIC,CHIP;100nF,+80-20%,25V,Y5V,TP,	6 YC19	2203-002494	C-CERAMIC,CHIP;470nF,10%,16V,X7R,TP,2012	
.....6 SC04	2203-000181	C-CERAMIC,CHIP;100nF,+80-20%,25V,Y5V,TP,	6 YC20	2203-002494	C-CERAMIC,CHIP;470nF,10%,16V,X7R,TP,2012	
.....6 SC05	2203-000181	C-CERAMIC,CHIP;100nF,+80-20%,25V,Y5V,TP,	6 YC22	2203-000181	C-CERAMIC,CHIP;100nF,+80-20%,25V,Y5V,TP,	
.....6 SC06	2203-000181	C-CERAMIC,CHIP;100nF,+80-20%,25V,Y5V,TP,	6 YC23	2203-000257	C-CERAMIC,CHIP;10nF,10%,50V,X7R,TP,1608	
.....6 SC07	2203-000181	C-CERAMIC,CHIP;100nF,+80-20%,25V,Y5V,TP,	6 YC24	2203-000181	C-CERAMIC,CHIP;100nF,+80-20%,25V,Y5V,TP,	
.....6 SC08	2203-000181	C-CERAMIC,CHIP;100nF,+80-20%,25V,Y5V,TP,	6 YC25	2203-000181	C-CERAMIC,CHIP;100nF,+80-20%,25V,Y5V,TP,	
.....6 SC09	2203-000181	C-CERAMIC,CHIP;100nF,+80-20%,25V,Y5V,TP,	6 YC27	2203-001603	C-CERAMIC,CHIP;220nF,10%,16V,X7R,TP,2012	
.....6 SC11	2203-000181	C-CERAMIC,CHIP;100nF,+80-20%,25V,Y5V,TP,	6 YC28	2203-001603	C-CERAMIC,CHIP;220nF,10%,16V,X7R,TP,2012	
.....6 SC12	2203-000181	C-CERAMIC,CHIP;100nF,+80-20%,25V,Y5V,TP,	6 YC29	2203-001603	C-CERAMIC,CHIP;220nF,10%,16V,X7R,TP,2012	
.....6 SC13	2203-000181	C-CERAMIC,CHIP;100nF,+80-20%,25V,Y5V,TP,	6 YC30	2203-002494	C-CERAMIC,CHIP;470nF,10%,16V,X7R,TP,2012	
.....6 SC14	2203-000181	C-CERAMIC,CHIP;100nF,+80-20%,25V,Y5V,TP,	6 YC32	2203-000257	C-CERAMIC,CHIP;10nF,10%,50V,X7R,TP,1608	
.....6 SC21	2203-000181	C-CERAMIC,CHIP;100nF,+80-20%,25V,Y5V,TP,	6 YC33	2203-000257	C-CERAMIC,CHIP;10nF,10%,50V,X7R,TP,1608	
.....6 SC23	2203-000181	C-CERAMIC,CHIP;100nF,+80-20%,25V,Y5V,TP,	6 YC34	2203-000257	C-CERAMIC,CHIP;10nF,10%,50V,X7R,TP,1608	
.....6 SC24	2203-000181	C-CERAMIC,CHIP;100nF,+80-20%,25V,Y5V,TP,	6 YC35	2203-000257	C-CERAMIC,CHIP;10nF,10%,50V,X7R,TP,1608	
.....6 SC25	2203-000140	C-CERAMIC,CHIP;1.5nF,10%,50V,X7R,TP,1608	6 YC36	2203-000257	C-CERAMIC,CHIP;10nF,10%,50V,X7R,TP,1608	
.....6 SC26	2203-000236	C-CERAMIC,CHIP;0.1nF,5%,50V,NPO,TP,1608	6 YC37	2203-000257	C-CERAMIC,CHIP;10nF,10%,50V,X7R,TP,1608	
.....6 SC27	2203-000181	C-CERAMIC,CHIP;100nF,+80-20%,25V,Y5V,TP,	6 YC39	2203-000998	C-CERAMIC,CHIP;0.047nF,5%,50V,NPO,TP,160	
.....6 SC28	2203-000552	C-CERAMIC,CHIP;0.02nF,5%,50V,NPO,TP,1608	6 YC40	2203-000998	C-CERAMIC,CHIP;0.047nF,5%,50V,NPO,TP,160	
.....6 SC29	2203-000181	C-CERAMIC,CHIP;100nF,+80-20%,25V,Y5V,TP,	6 YC45	2203-002494	C-CERAMIC,CHIP;470nF,10%,16V,X7R,TP,2012	
.....6 SC32	2203-000181	C-CERAMIC,CHIP;100nF,+80-20%,25V,Y5V,TP,	6 YC46	2203-000257	C-CERAMIC,CHIP;10nF,10%,50V,X7R,TP,1608	
.....6 SC33	2203-000552	C-CERAMIC,CHIP;0.02nF,5%,50V,NPO,TP,1608	6 YC47	2203-000257	C-CERAMIC,CHIP;10nF,10%,50V,X7R,TP,1608	
.....6 SC34	2203-000181	C-CERAMIC,CHIP;100nF,+80-20%,25V,Y5V,TP,	6 YC48	2203-000257	C-CERAMIC,CHIP;10nF,10%,50V,X7R,TP,1608	
.....6 SC35	2203-000181	C-CERAMIC,CHIP;100nF,+80-20%,25V,Y5V,TP,	6 YC49	2203-000181	C-CERAMIC,CHIP;100nF,+80-20%,25V,Y5V,TP,	
.....6 SC37	2203-000181	C-CERAMIC,CHIP;100nF,+80-20%,25V,Y5V,TP,	6 YC50	2203-002494	C-CERAMIC,CHIP;470nF,10%,16V,X7R,TP,2012	
.....6 SC38	2203-000552	C-CERAMIC,CHIP;0.02nF,5%,50V,NPO,TP,1608	6 YC51	2203-000236	C-CERAMIC,CHIP;0.1nF,5%,50V,NPO,TP,1608	
.....6 SC52	2203-000181	C-CERAMIC,CHIP;100nF,+80-20%,25V,Y5V,TP,	6 YC52	2203-001083	C-CERAMIC,CHIP;0.005nF,0.1pF,50V,NPO,TP,	
.....6 SC54	2203-000181	C-CERAMIC,CHIP;100nF,+80-20%,25V,Y5V,TP,	6 YC53	2203-000181	C-CERAMIC,CHIP;100nF,+80-20%,25V,Y5V,TP,	
.....6 SF01	2901-001120	FILTER-EMI SMD;25V,100mA,-,3.2x1.6x1,T	6 YC54	2203-000181	C-CERAMIC,CHIP;100nF,+80-20%,25V,Y5V,TP,	
.....6 SL01	3301-001324	CORE-FERRITE BEAD;AB,150HM,2X1.25X0.9MM,	6 YC55	2203-000181	C-CERAMIC,CHIP;100nF,+80-20%,25V,Y5V,TP,	
.....6 SL02	3301-001324	CORE-FERRITE BEAD;AB,150HM,2X1.25X0.9MM,	6 YC56	2203-000181	C-CERAMIC,CHIP;100nF,+80-20%,25V,Y5V,TP,	
.....6 SL03	3301-001324	CORE-FERRITE BEAD;AB,150HM,2X1.25X0.9MM,	6 YC58	2203-000181	C-CERAMIC,CHIP;100nF,+80-20%,25V,Y5V,TP,	
.....6 SL04	3301-001324	CORE-FERRITE BEAD;AB,150HM,2X1.25X0.9MM,	6 YC59	2203-000181	C-CERAMIC,CHIP;100nF,+80-20%,25V,Y5V,TP,	

Electrical Parts List

Loc. No.	Code No.	Description ; Specification	Remark	Loc. No.	Code No.	Description ; Specification	Remark
....4	AA63-40014A	SHIELD-CASE,T,-,SPTE,TO.5,-,-,SCT51A	S.N.A6 QD15	0501-000280	TR-SMALL SIGNAL;KSA1182,PNP,150mW,SOT-23	
....4	AA97-07193A	ASSY AUTO-3D COMB;WT-3Z25HD,K54A,AA95-00	S.N.A6 QD16	0501-000280	TR-SMALL SIGNAL;KSA1182,PNP,150mW,SOT-23	
....5 CD10	2401-001496	C-AL;47uF,20%,16V,GP,TP,5x7,5	6 QD17	0501-000344	TR-SMALL SIGNAL;KSC1623-G,NPN,200mW,SOT-	
....5 CD12	2401-002464	C-AL;47uF,20%,16V,BP,TP,8x11.5,5	6 QD18	0501-000280	TR-SMALL SIGNAL;KSA1182,PNP,150mW,SOT-23	
....5 CD18	2401-001914	C-AL;1uF,20%,50V,BP,TP,5x11,5	6 QD19	0501-000344	TR-SMALL SIGNAL;KSC1623-G,NPN,200mW,SOT-	
....5 CD23	2401-000598	C-AL;1uF,20%,50V,GP,TP,4x7,5	6 QD20	0501-000280	TR-SMALL SIGNAL;KSA1182,PNP,150mW,SOT-23	
....5 CD24	2401-000455	C-AL;10uF,20%,35V,GP,TP,4x7mm,5mm	6 QD21	0501-000344	TR-SMALL SIGNAL;KSC1623-G,NPN,200mW,SOT-	
....5 CD40	2301-000111	C-FILM,PEF;1.8nF,5%,50V,TP,6.5x3.0x5.5mm	6 QD22	0501-000280	TR-SMALL SIGNAL;KSA1182,PNP,150mW,SOT-23	
....5 CD45	2401-000455	C-AL;10uF,20%,35V,GP,TP,4x7mm,5mm	6 QD23	0501-000344	TR-SMALL SIGNAL;KSC1623-G,NPN,200mW,SOT-	
....5 CD47	2401-000455	C-AL;10uF,20%,35V,GP,TP,4x7mm,5mm	6 QD24	0501-000344	TR-SMALL SIGNAL;KSC1623-G,NPN,200mW,SOT-	
....5 CD57	2401-001496	C-AL;47uF,20%,16V,GP,TP,5x7,5	6 QD25	0501-000280	TR-SMALL SIGNAL;KSA1182,PNP,150mW,SOT-23	
....5 CD59	2401-001496	C-AL;47uF,20%,16V,GP,TP,5x7,5	6 QD26	0501-000344	TR-SMALL SIGNAL;KSC1623-G,NPN,200mW,SOT-	
....5 CD60	2401-001496	C-AL;47uF,20%,16V,GP,TP,5x7,5	6 QD27	0501-000344	TR-SMALL SIGNAL;KSC1623-G,NPN,200mW,SOT-	
....5 CD64	2401-001496	C-AL;47uF,20%,16V,GP,TP,5x7,5	6 QD28	0501-000280	TR-SMALL SIGNAL;KSA1182,PNP,150mW,SOT-23	
....5 CD66	2401-001496	C-AL;47uF,20%,16V,GP,TP,5x7,5	6 QD40	0501-000344	TR-SMALL SIGNAL;KSC1623-G,NPN,200mW,SOT-	
....5 CD68	2401-001496	C-AL;47uF,20%,16V,GP,TP,5x7,5	6 QD41	0501-000344	TR-SMALL SIGNAL;KSC1623-G,NPN,200mW,SOT-	
....5 CD71	2401-001496	C-AL;47uF,20%,16V,GP,TP,5x7,5	6 RD00	2007-000074	R-CHIP;100ohm,5%,1/16W,DA,TP,1608	
....5 LD01	2702-001095	INDUCTOR-RADIAL;18uH,10%,6x4mm	6 RD01	2007-000074	R-CHIP;100ohm,5%,1/16W,DA,TP,1608	
....5 LD03	2702-001095	INDUCTOR-RADIAL;18uH,10%,6x4mm	6 RD02	2007-000119	R-CHIP;560ohm,5%,1/16W,DA,TP,1608	
....5 LD05	2702-001096	INDUCTOR-RADIAL;33uH,10%,6x4mm	6 RD03	2007-000074	R-CHIP;100ohm,5%,1/16W,DA,TP,1608	
....5 LD06	2702-001095	INDUCTOR-RADIAL;18uH,10%,6x4mm	6 RD04	2007-000094	R-CHIP;22Kohm,5%,1/16W,DA,TP,1608	
....5 LD07	2901-000297	FILTER-EMI ON BOARD;-3A,-,-,3.5x5,TP-	6 RD05	2007-000088	R-CHIP;7.5Kohm,5%,1/16W,DA,TP,1608	
....5	AA97-06948A	ASSY SMD-3D COMB;WT-3Z25HD,K54A,AA95-009	S.N.A6 RD06	2007-000078	R-CHIP;1Kohm,5%,1/16W,DA,TP,1608	
....6 CD11	2203-000181	C-CERAMIC,CHIP;100nF,+80-20%,25V,Y5V,TP,	6 RD07	2007-000078	R-CHIP;1Kohm,5%,1/16W,DA,TP,1608	
....6 CD20	2203-000181	C-CERAMIC,CHIP;100nF,+80-20%,25V,Y5V,TP,	6 RD08	2007-000119	R-CHIP;560ohm,5%,1/16W,DA,TP,1608	
....6 CD21	2203-000181	C-CERAMIC,CHIP;100nF,+80-20%,25V,Y5V,TP,	6 RD09	2007-000086	R-CHIP;5.6Kohm,5%,1/16W,DA,TP,1608	
....6 CD22	2203-001034	C-CERAMIC,CHIP;5.6nF,10%,50V,X7R,TP,1608	6 RD10	2007-000074	R-CHIP;100ohm,5%,1/16W,DA,TP,1608	
....6 CD41	2203-000181	C-CERAMIC,CHIP;100nF,+80-20%,25V,Y5V,TP,	6 RD11	2007-000074	R-CHIP;100ohm,5%,1/16W,DA,TP,1608	
....6 CD42	2203-000181	C-CERAMIC,CHIP;100nF,+80-20%,25V,Y5V,TP,	6 RD12	2007-000094	R-CHIP;22Kohm,5%,1/16W,DA,TP,1608	
....6 CD43	2203-000181	C-CERAMIC,CHIP;100nF,+80-20%,25V,Y5V,TP,	6 RD13	2007-000088	R-CHIP;7.5Kohm,5%,1/16W,DA,TP,1608	
....6 CD44	2203-000181	C-CERAMIC,CHIP;100nF,+80-20%,25V,Y5V,TP,	6 RD14	2007-000309	R-CHIP;10ohm,5%,1/16W,DA,TP,1608	
....6 CD46	2203-000181	C-CERAMIC,CHIP;100nF,+80-20%,25V,Y5V,TP,	6 RD15	2007-000078	R-CHIP;1Kohm,5%,1/16W,DA,TP,1608	
....6 CD50	2203-000181	C-CERAMIC,CHIP;100nF,+80-20%,25V,Y5V,TP,	6 RD16	2007-000119	R-CHIP;560ohm,5%,1/16W,DA,TP,1608	
....6 CD51	2203-000181	C-CERAMIC,CHIP;100nF,+80-20%,25V,Y5V,TP,	6 RD17	2007-000086	R-CHIP;5.6Kohm,5%,1/16W,DA,TP,1608	
....6 CD52	2203-000181	C-CERAMIC,CHIP;100nF,+80-20%,25V,Y5V,TP,	6 RD18	2007-000074	R-CHIP;100ohm,5%,1/16W,DA,TP,1608	
....6 CD53	2203-000181	C-CERAMIC,CHIP;100nF,+80-20%,25V,Y5V,TP,	6 RD19	2007-000119	R-CHIP;560ohm,5%,1/16W,DA,TP,1608	
....6 CD54	2203-000181	C-CERAMIC,CHIP;100nF,+80-20%,25V,Y5V,TP,	6 RD20	2007-001093	R-CHIP;620ohm,5%,1/16W,DA,TP,1608	
....6 CD55	2203-000181	C-CERAMIC,CHIP;100nF,+80-20%,25V,Y5V,TP,	6 RD21	2007-000075	R-CHIP;220ohm,5%,1/16W,DA,TP,1608	
....6 CD56	2203-000181	C-CERAMIC,CHIP;100nF,+80-20%,25V,Y5V,TP,	6 RD22	2007-000078	R-CHIP;1Kohm,5%,1/16W,DA,TP,1608	
....6 CD58	2203-000181	C-CERAMIC,CHIP;100nF,+80-20%,25V,Y5V,TP,	6 RD23	2007-000124	R-CHIP;2.2Kohm,5%,1/16W,DA,TP,1608	
....6 CD62	2203-000181	C-CERAMIC,CHIP;100nF,+80-20%,25V,Y5V,TP,	6 RD24	2007-000097	R-CHIP;47Kohm,5%,1/16W,DA,TP,1608	
....6 CD63	2203-000181	C-CERAMIC,CHIP;100nF,+80-20%,25V,Y5V,TP,	6 RD25	2007-000106	R-CHIP;220Kohm,5%,1/16W,DA,TP,1608	
....6 CD67	2203-000181	C-CERAMIC,CHIP;100nF,+80-20%,25V,Y5V,TP,	6 RD26	2007-000077	R-CHIP;470ohm,5%,1/16W,DA,TP,1608	
....6 CD69	2203-000181	C-CERAMIC,CHIP;100nF,+80-20%,25V,Y5V,TP,	6 RD27	2007-000084	R-CHIP;4.7Kohm,5%,1/16W,DA,TP,1608	
....6 CD72	2203-000181	C-CERAMIC,CHIP;100nF,+80-20%,25V,Y5V,TP,	6 RD37	2007-001093	R-CHIP;620ohm,5%,1/16W,DA,TP,1608	
....6 CD74	2203-000181	C-CERAMIC,CHIP;100nF,+80-20%,25V,Y5V,TP,	6 RD38	2007-000074	R-CHIP;100ohm,5%,1/16W,DA,TP,1608	
....6 CD75	2203-000626	C-CERAMIC,CHIP;0.022nF,5%,50V,NPO,TP,160	6 RD39	2007-000078	R-CHIP;1Kohm,5%,1/16W,DA,TP,1608	
....6 CD80	2203-000357	C-CERAMIC,CHIP;0.15nF,5%,50V,NPO,TP,1608	6 RD40	2007-000583	R-CHIP;22Kohm,1%,1/16W,DA,TP,1608	
....6 CD81	2203-000181	C-CERAMIC,CHIP;100nF,+80-20%,25V,Y5V,TP,	6 RD41	2007-000052	R-CHIP;10Kohm,1%,1/16W,DA,TP,1608	
....6 CD84	2203-000181	C-CERAMIC,CHIP;100nF,+80-20%,25V,Y5V,TP,	6 RD42	2007-000583	R-CHIP;22Kohm,1%,1/16W,DA,TP,1608	
....6 CD85	2203-000838	C-CERAMIC,CHIP;0.39nF,5%,50V,NPO,TP,1608	6 RD43	2007-000869	R-CHIP;4.7Kohm,1%,1/16W,DA,TP,1608	
....6 CD86	2203-000181	C-CERAMIC,CHIP;100nF,+80-20%,25V,Y5V,TP,	6 RD50	2007-000074	R-CHIP;100ohm,5%,1/16W,DA,TP,1608	
....6 CD87	2203-000181	C-CERAMIC,CHIP;100nF,+80-20%,25V,Y5V,TP,	6 RD51	2007-000078	R-CHIP;1Kohm,5%,1/16W,DA,TP,1608	
....6 CD88	2203-000626	C-CERAMIC,CHIP;0.022nF,5%,50V,NPO,TP,160	6 RD59	2007-000102	R-CHIP;100Kohm,5%,1/16W,DA,TP,1608	
....6 CD89	2203-000626	C-CERAMIC,CHIP;0.022nF,5%,50V,NPO,TP,160	6 RD62	2007-000309	R-CHIP;10ohm,5%,1/16W,DA,TP,1608	
....6 CD90	2203-000181	C-CERAMIC,CHIP;100nF,+80-20%,25V,Y5V,TP,	6 RD63	2007-000124	R-CHIP;2.2Kohm,5%,1/16W,DA,TP,1608	
....6 CD91	2203-000181	C-CERAMIC,CHIP;100nF,+80-20%,25V,Y5V,TP,	6 RD64	2007-000078	R-CHIP;1Kohm,5%,1/16W,DA,TP,1608	
....6 DD01	0403-001016	DIODE-ZENER;RLZ6.2B,6.2V,5.96-6.27V,400m	6 RD65	2007-000078	R-CHIP;1Kohm,5%,1/16W,DA,TP,1608	
....6 DD02	0403-001016	DIODE-ZENER;RLZ6.2B,6.2V,5.96-6.27V,400m	6 RD66	2007-000096	R-CHIP;30Kohm,5%,1/16W,DA,TP,1608	
....6 DD03	0401-000133	DIODE-SWITCHING;RLS4148,100V,200MA,SOD-8	6 RD67	2007-000125	R-CHIP;3.9Kohm,5%,1/16W,DA,TP,1608	
....6 FD00	2909-001051	FILTER-LC;6MHz,6MHz,0.8dB,TP,5dB/6MHz,30	6 RD68	2007-000124	R-CHIP;2.2Kohm,5%,1/16W,DA,TP,1608	
....6 FD01	2909-001051	FILTER-LC;6MHz,6MHz,0.8dB,TP,5dB/6MHz,30	6 RD69	2007-000077	R-CHIP;470ohm,5%,1/16W,DA,TP,1608	
....6 FD02	2909-001052	FILTER-LC;3.58MHz,3MHz,1.5dB,TP,11dB/1.0	6 RD70	2007-000077	R-CHIP;470ohm,5%,1/16W,DA,TP,1608	
....6 FD03	2909-001051	FILTER-LC;6MHz,6MHz,0.8dB,TP,5dB/6MHz,30	6 RD71	2007-000234	R-CHIP;1.3Kohm,5%,1/16W,DA,TP,1608	
....6 IC01	1204-001556	IC-SEPARATOR;UPD64082GF,QFP,100P,-,PLAST	6 RD72	2007-000077	R-CHIP;470ohm,5%,1/16W,DA,TP,1608	
....6 IC02	1105-001334	IC-DRAM;4E151612,1Mx16Bit,TSOP,44P,400MI	6 RD73	2007-000074	R-CHIP;100ohm,5%,1/16W,DA,TP,1608	
....6 IC04	1203-001419	IC-VOLTAGE REGULATOR;4931,TO-252,3P,6.6x	6 RD74	2007-000077	R-CHIP;470ohm,5%,1/16W,DA,TP,1608	
....6 JD01	2007-000070	R-CHIP;0ohm,5%,1/16W,DA,TP,1608	6 RD75	2007-000074	R-CHIP;100ohm,5%,1/16W,DA,TP,1608	
....6 JD04	2007-000070	R-CHIP;0ohm,5%,1/16W,DA,TP,1608	6 RD76	2007-000074	R-CHIP;100ohm,5%,1/16W,DA,TP,1608	
....6 LD09	2703-000271	INDUCTOR-SMD;4.7uH,10%,2x1.25x1.25mm	6 RD77	2007-000074	R-CHIP;100ohm,5%,1/16W,DA,TP,1608	
....6 LD10	3301-001186	CORE-FERRITE BEAD;AB,600ohm,3.2x1.6x1.3m	6 RD78	2007-000074	R-CHIP;100ohm,5%,1/16W,DA,TP,1608	
....6 PCB	AA41-00128E	PCB-3D COMB FILTER;CT-29A7DR,FR-4,2L,E,1	S.N.A6 RD79	2007-000074	R-CHIP;100ohm,5%,1/16W,DA,TP,1608	
....6 QD10	0501-000344	TR-SMALL SIGNAL;KSC1623-G,NPN,200mW,SOT-	6 RD82	2007-000309	R-CHIP;10ohm,5%,1/16W,DA,TP,1608	
....6 QD11	0501-000280	TR-SMALL SIGNAL;KSA1182,PNP,150mW,SOT-23	6 RD83	2007-000124	R-CHIP;2.2Kohm,5%,1/16W,DA,TP,1608	
....6 QD12	0501-000280	TR-SMALL SIGNAL;KSA1182,PNP,150mW,SOT-23	6 RD84	2007-000119	R-CHIP;560ohm,5%,1/16W,DA,TP,1608	
....6 QD13	0501-000344	TR-SMALL SIGNAL;KSC1623-G,NPN,200mW,SOT-	6 RD85	2007-000086	R-CHIP;5.6Kohm,5%,1/16W,DA,TP,1608	
....6 QD14	0501-000280	TR-SMALL SIGNAL;KSA1182,PNP,150mW,SOT-23	6 RD86	2007-000077	R-CHIP;470ohm,5%,1/16W,DA,TP,1608	

Loc. No.	Code No.	Description ; Specification	Remark
.....6 RD87	2007-000077	R-CHIP;470ohm,5%,1/16W,DA,TP,1608	
.....6 RD88	2007-000211	R-CHIP;1.1Kohm,5%,1/16W,DA,TP,1608	
.....6 RD89	2007-000113	R-CHIP;33ohm,5%,1/16W,DA,TP,1608	
.....6 RD90	2007-000074	R-CHIP;100ohm,5%,1/16W,DA,TP,1608	
.....6 RD91	2007-000077	R-CHIP;470ohm,5%,1/16W,DA,TP,1608	
.....6 RD92	2007-000074	R-CHIP;100ohm,5%,1/16W,DA,TP,1608	
.....6 RD93	2007-000070	R-CHIP;0ohm,5%,1/16W,DA,TP,1608	
.....6 RD94	2007-000070	R-CHIP;0ohm,5%,1/16W,DA,TP,1608	
.....6 RD95	2007-000078	R-CHIP;1Kohm,5%,1/16W,DA,TP,1608	
.....6 RD96	2007-000077	R-CHIP;470ohm,5%,1/16W,DA,TP,1608	
.....6 RD97	2007-000077	R-CHIP;470ohm,5%,1/16W,DA,TP,1608	
.....6 RD98	2007-000070	R-CHIP;0ohm,5%,1/16W,DA,TP,1608	
....4	0202-000187	SOLDER-WIRE FLUX;-RS60S,D1.2,63Sn/37Pb	S.N.A
....4	0202-001167	SOLDER-CREAM;RX3603-2330HO,S45A,PASTE,SN	S.N.A
...3	AA65-30105B	CLAMPER CORE-WIRE;ALL MODEL,NYLON 66,V2,	S.N.A
...3	AA65-30104B	CLAMPER CORE-WIRE;ALL MODEL,NYLON 66,V2,	S.N.A

ASSY PRT

1	*	BP91-00022A	ASSY PRT;HCL652WX/XAA	S.N.A
..2		AA91-02201B	ASSY CPT-G;P16LSG03HKA,55,+380MGDELTA 2	
...3	BC+AL	AA60-10011A	SCREW-TAPTITE;-SWRCH18A,M4,L12,HH,+PC,	S.N.A
...3		AA61-00809B	HOLDER-CRT;PROJ,PC/ABS GF 20%,BLK	S.N.A
...3		AA61-00807B	CASE-COUPLER,G;PROJ,ALDC,T8,BLK	S.N.A
...3		AA61-00056B	BRACKET-LENS;PROJECTION,SECC,T1.6,-,-,-	S.N.A
...3		AA60-00127B	SPACER-LENS;PROJ,SILICONE,D/GRAY	S.N.A
...3		AA91-00722A	ASSY-BRKT,CRT,SECC T1.6,PROJ	
....4		AA61-00473B	BRACKET-CRT;53,SECC,T1.6,-,-,-	S.N.A
....4		AA61-00615B	BRACKET-EARTH;54J8,PBS,TO.5,-,-,-	S.N.A
....4		AA61-00812A	SPRING ETC-WIRE;PROJ,STS,3.6	S.N.A
...3		AA67-00158A	LENS;,DELTA 240,GREEN,C-ELEMENT	
...3		AA67-00146A	LENS-ASSY;,DELTA 260,CLEAR A/B	
...3		AA63-00076A	SPACER-LENS;PROJECTION,FELT -,-,-,BROWN	S.N.A
...3		AA61-00810B	HOLDER-CAP;PROJ,PC,CLR	S.N.A
...3		AA26-30006F	TRANS FBT;-FWZ-50A001C,55',30KV	
...3		AA03-00201A	CRT MONO;P16LSG03HKA,FREE,3.30mH,2.20mH,	
...3		AA60-00126B	SPACER-CAP;PROJ,EPDM,BLK	S.N.A
...3		AA60-00125B	SPACER-CRT;PROJ,SILICONE,D/GRAY	S.N.A
...3		AA60-00074A	SPACER-DY;PJT,SILICON RUBBER,-,-,-,GRAY,	S.N.A
...3		AA39-00018A	LEAD CONNECTOR-ASSY;,UL1015#22,UL/CSA,1P	
...3		AA27-00151A	DEFLECTION YOKE;-CDY-PT0702(X),PRT,P16L	
..2		AA91-02204A	ASSY CPT-B;P16LSG03BMB,65,+380MG,DELTA	
...3	BC+AL	AA60-10011A	SCREW-TAPTITE;-SWRCH18A,M4,L12,HH,+PC,	S.N.A
...3		AA61-00810B	HOLDER-CAP;PROJ,PC,CLR	S.N.A
...3		AA61-00808B	CASE-COUPLER,B;PROJ,ALDC,T8,BLK	S.N.A
...3		AA61-00056B	BRACKET-LENS;PROJECTION,SECC,T1.6,-,-,-	S.N.A
...3		AA60-00128B	SPACER-CRT;PROJ(65),SILICONE,D/GRAY	S.N.A
...3		AA91-00722A	ASSY-BRKT,CRT,SECC T1.6,PROJ	
....4		AA61-00473B	BRACKET-CRT;53,SECC,T1.6,-,-,-	S.N.A
....4		AA61-00615B	BRACKET-EARTH;54J8,PBS,TO.5,-,-,-	S.N.A
....4		AA61-00812A	SPRING ETC-WIRE;PROJ,STS,3.6	S.N.A
...3		AA67-00156A	LENS;,DELTA 240,CLEAR,C-ELEMENT	
...3		AA67-00146A	LENS-ASSY;,DELTA 260,CLEAR A/B	
...3		AA63-00076A	SPACER-LENS;PROJECTION,FELT -,-,-,BROWN	S.N.A
...3		AA61-00811B	HOLDER-CRT;PROJ(65),PC/ABS GF 20%,BLK	S.N.A
...3		AA60-00127B	SPACER-LENS;PROJ,SILICONE,D/GRAY	S.N.A
...3		AA26-30006F	TRANS FBT;-FWZ-50A001C,55',30KV	
...3		AA03-00202A	CRT MONO;P16LSG03BMB,FREE,3.30mH,2.20mH,	
...3		AA60-00126B	SPACER-CAP;PROJ,EPDM,BLK	S.N.A
...3		AA60-00074A	SPACER-DY;PJT,SILICON RUBBER,-,-,-,GRAY,	S.N.A
...3		AA39-00018A	LEAD CONNECTOR-ASSY;,UL1015#22,UL/CSA,1P	
...3		AA33-00008A	MAGNET CONVERGENCE;JH92LTU-36A,7inchPRT,	
...3		AA27-00151A	DEFLECTION YOKE;-CDY-PT0702(X),PRT,P16L	
..2		AA91-02204B	ASSY CPT-R;P16LSG03RJA,65,+380MGDELTA 2	
...3	BC+AL	AA60-10011A	SCREW-TAPTITE;-SWRCH18A,M4,L12,HH,+PC,	S.N.A
...3		AA61-00810B	HOLDER-CAP;PROJ,PC,CLR	S.N.A
...3		AA61-00806B	CASE-COUPLER,R;PROJ,ALDC,T8,BLK	S.N.A
...3		AA61-00056B	BRACKET-LENS;PROJECTION,SECC,T1.6,-,-,-	S.N.A
...3		AA60-00128B	SPACER-CRT;PROJ(65),SILICONE,D/GRAY	S.N.A
...3		AA91-00722A	ASSY-BRKT,CRT,SECC T1.6,PROJ	
....4		AA61-00473B	BRACKET-CRT;53,SECC,T1.6,-,-,-	S.N.A
....4		AA61-00615B	BRACKET-EARTH;54J8,PBS,TO.5,-,-,-	S.N.A
....4		AA61-00812A	SPRING ETC-WIRE;PROJ,STS,3.6	S.N.A
...3		AA67-00157A	LENS;,DELTA 240,RED,C-ELEMENT	
...3		AA67-00146A	LENS-ASSY;,DELTA 260,CLEAR A/B	

Loc. No.	Code No.	Description ; Specification	Remark
...3	AA63-00076A	SPACER-LENS;PROJECTION,FELT -,-,-,BROWN	S.N.A
...3	AA61-00811B	HOLDER-CRT;PROJ(65),PC/ABS GF 20%,BLK	S.N.A
...3	AA60-00127B	SPACER-LENS;PROJ,SILICONE,D/GRAY	S.N.A
...3	AA26-30006F	TRANS FBT;-FWZ-50A001C,55',30KV	
...3	AA03-00200A	CRT MONO;P16LSG03RJA,FREE,3.30mH,2.20mH,	
...3	AA60-00126B	SPACER-CAP;PROJ,EPDM,BLK	S.N.A
...3	AA60-00074A	SPACER-DY;PJT,SILICON RUBBER,-,-,-,GRAY,	S.N.A
...3	AA39-00018A	LEAD CONNECTOR-ASSY;,UL1015#22,UL/CSA,1P	
...3	AA33-00008A	MAGNET CONVERGENCE;JH92LTU-36A,7inchPRT,	
...3	AA27-00151A	DEFLECTION YOKE;-CDY-PT0702(X),PRT,P16L	

ASSY COVER FRONT

1	*	BP90-00001B	ASSY COVER FRONT;65W3,HCM653WX/XAC	S.N.A	
..2		AP+BCM	AA60-10011A	SCREW-TAPTITE;-SWRCH18A,M4,L12,HH,+PC,	S.N.A
..2		ASP+CW	6005-001004	SCREW-WOOD;HH,+M4,L27,BLK,SWRCH18A	S.N.A
..2		BCM+CW	6006-001094	SCREW-ASS'Y WOOD;WW,HH,+M7,L32,ZPC(YEL)	S.N.A
..2		CBB+AP	6003-001019	SCREW-TAPTITE;RH,+B,M4,L12,ZPC(BLK),SWR	S.N.A
..2		CBB+CW	6005-001003	SCREW-WOOD;HH,+M4,L19,ZPC(BLK),SWRCH18A	S.N.A
..2		CFB+CW	6005-001005	SCREW-WOOD;HH,+M4.0,L19,NI PLT,SWRCH18A	S.N.A
..2		FP+BCM	AA60-10011A	SCREW-TAPTITE;-SWRCH18A,M4,L12,HH,+PC,	S.N.A
..2		HC+CW	6005-001003	SCREW-WOOD;HH,+M4,L19,ZPC(BLK),SWRCH18A	S.N.A
..2		HM+CW	6005-001003	SCREW-WOOD;HH,+M4,L19,ZPC(BLK),SWRCH18A	S.N.A
..2		HV+BCM	AA60-10011A	SCREW-TAPTITE;-SWRCH18A,M4,L12,HH,+PC,	S.N.A
..2			AA67-00164A	MIRROR-FRONT;65W3,GLASS,1177*891*614,FS	
..2			AA91-00757C	ASSY-DOOR,RACK,HB GRAY,SS1028+DG703PW3	
...3	AHD+DR	6003-001019	SCREW-TAPTITE;RH,+B,M4,L12,ZPC(BLK),SWR	S.N.A	
...3	DR+BD	6003-001019	SCREW-TAPTITE;RH,+B,M4,L12,ZPC(BLK),SWR	S.N.A	
...3			AA64-02206B	WINDOW-DOOR;W3,GLASS,T3.0,BR	
...3			AA73-00007B	RUBBER-CAP;W3,MBR,GRAY,60	
...3			AA91-00758A	ASSY-HINGE,DOOR(R);SPRING,SECC T1.6 W3,W	
...3			AA64-02066E	DOOR-RACK;47.55.65W3,HIPS HB,GRAY,SS1028	
...3			AA61-00856B	BRACKET-DOOR;47W3,SECC,T1.0,BLK	S.N.A
...3			AA61-00782B	BRACKET-MAGNET;W3,SPC,T2.0,FZW	S.N.A
...3			AA91-00755M	ASSY-C/FRONT,BOT;,HIPS V0,SS1028+DG703P	
...3			AA64-02064K	CABINET-FRONT,BOT;55.65W3,HIPS V0,GRAY,S	S.N.A
...3			AA64-02080C	KNOB POWER;W3,ABS HB,BLK,BL903	
...3			AA64-02081B	KNOB-CH,VOL;W3,ABS HB,BLK,CHROME,GLOSSY	
...3			AA64-02082B	WINDOW-RMC,LED;W3,PC,CLEAR	
...3			AA64-02205C	BADGE-DECORATION;W3,NI+AL FORGING+NI,DG7	S.N.A
...3			6003-001026	SCREW-TAPTITE;RH,+B,M4,L15,ZPC(BLK),SWR	S.N.A
...3			AA61-00785B	GUIDE-KNOB,POWER;W3,ABS HB ,BLK,CHROME,G	S.N.A
...3			AA61-00786C	HOLDER-CONTROL;W3,ABS HB,BLK,BL903	
...3			AA61-00791B	HOLDER-FRONT,BOT;W3,ABS HB,L40,BLK,DO	S.N.A
...3			AA61-01068A	HOLDER-CABINET,BOT(B);W3,ABS HB,L40,BLK,	S.N.A
...3			AA61-60003J	SPRING ETC-CS;-SUS304,-,-,OD6,N7,OD6,-	S.N.A
..2			AA91-00754D	ASSY-C/FRONT,MASK;ABS HB,DG703P;65W3/HCM	
...3			AA63-00380A	COVER-CORNER;PJT,POLYESTER,-,-,-,CLR,#	S.N.A
...3			AA64-02246B	BADGE-BRAND;55W3,AL FORGING,L78,DG703PS	S.N.A
...3			AA64-02078E	CABINET-FRONT,MASK,BOT;65W3,ABS HB,GRAY,	S.N.A
...3			AA64-02078A	CABINET-FRONT,MASK,BOT;65W3,ABS HB,GRAY,	S.N.A
...3			AA64-02077E	CABINET-FRONT,MASK,TO;65W3,ABS HB,GRAY,	S.N.A
...3			AA64-02077A	CABINET-FRONT,MASK,TO;65W3,ABS HB,L1441	S.N.A
...3			AA64-02060E	CABINET-FRONT,MASK(L);65W3,ABS HB,GRAY,D	S.N.A
...3			AA64-02060D	CABINET-FRONT,MASK(L);65W3,ABS HB,GRAY,D	S.N.A
...3			AA63-00063A	SPACER-DUAL,LOCK;SVP-614J,#400,-,-,-	S.N.A
..2			AA73-00005B	RUBBER-CAP;FLAT,PRJ,SILICONE RUBBER,WHIT	
..2			AA63-60002V	SPACER-FELT;-FELT,-,-,-,BLK,TO.3,-,60X4	S.N.A
..2			AA91-00761E	ASSY-CABINET,WOOD;,WOOD,XAC,65W3	S.N.A
...3	B+FRAM	AA60-10051A	SCREW-WOOD;-SWRCH18A,M4,L16,PH,+,-,-,ZP	S.N.A	
...3	CAS+CW	AA60-10051A	SCREW-WOOD;-SWRCH18A,M4,L16,PH,+,-,-,ZP	S.N.A	
...3	HCM+CW	AA60-10051A	SCREW-WOOD;-SWRCH18A,M4,L16,PH,+,-,-,ZP	S.N.A	
...3	HCW+CW	AA60-10051A	SCREW-WOOD;-SWRCH18A,M4,L16,PH,+,-,-,ZP	S.N.A	
...3	HM+CW	AA60-10051A	SCREW-WOOD;-SWRCH18A,M4,L16,PH,+,-,-,ZP	S.N.A	
...3	HW+CW	AA60-10051B	SCREW-WOOD;-SWRCH18A,M3.5,L11,RH,+,-,-	S.N.A	
...3	RAIL+R	AA60-10051A	SCREW-WOOD;-SWRCH18A,M4,L16,PH,+,-,-,ZP	S.N.A	
...3	SID+DO	AA60-10051A	SCREW-WOOD;-SWRCH18A,M4,L16,PH,+,-,-,ZP	S.N.A	
...3	SPK+CW	AA60-10051A	SCREW-WOOD;-SWRCH18A,M4,L16,PH,+,-,-,ZP	S.N.A	
...3			AA64-02209C	CABINET-WOOD;65W3,WOOD,MJJU	
...3			AA63-00348B	COVER-DUCT;54,62J8,HIPS,-,-,-,HB,BLK,-	S.N.A
...3			AA63-00193B	COVER-AIRVENT;533R,HIPS,-,-,-,VO,BLK,-	S.N.A
...3			AA61-20219A	HOLDER-FRONT,BOT,E;ABS,HB,L40,BLK	S.N.A
...3			AA61-10387A	BRACKET-GRILLE;SVP-462J,SECC-1,TO.5,-,-	S.N.A
...3			AA61-01212C	HOLDER-SCREEN,TB;W3,W1,ABS HB,L1439,BLK,	S.N.A

Loc. No.	Code No.	Description ; Specification	Remark
...3	AA61-01070A	HOLDER-CABINET,BOT(D);W3,ABS HB,L990,BLK	S.N.A
...3	AA61-01067A	HOLDER-CABINET,BOT(A);W3,ABS HB,L40,BLK,	S.N.A
...3	AA61-00999A	HOLDER-DUAL,LOCK;W3,W1,ABS HB,BLK	S.N.A
...3	AA64-02319A	CABINET-HANDLE,WOOD;65W3,ABS HB,BLK	
...3	AA98-00049B	ASSY-LEAD,CON;-LEAD-CON,CORE,AA39-20505	S.N.A
...4	3301-001201	CORE-FERRITE;AE,21x11x32mm,1500,280G	
...3	AA39-00287B	LEAD CONNECTOR-ASSY;PCL54RX,UL2547#26,UL	
...3	AA61-00792B	HOLDER-SENSOR;W3,PC VIOLET	S.N.A
...3	AA61-01117B	HOLDER-SENSOR;W3,PC VIOLET	S.N.A
...3	AA61-00508D	HOLDER-JERSEY;W3,ABS V0,GRAY,G4309	S.N.A
...3	BP61-00075A	HOLDER-JERSEY,ASSY;W3,ABS V0,GRAY,63-000	S.N.A
...4	AA63-00099C	SPACER-FELT;47W3,FELT,BLK,TO.35,30*30	S.N.A
...4	AA61-00508D	HOLDER-JERSEY;W3,ABS V0,GRAY,G4309	S.N.A
...3	AA91-00750A	ASSY-MAGNET,PUSH;MAGNET,W3	
...3	AA65-00017A	CLAMPER CORE-WIRE;ALL MODEL,NYLON6.6,BLK	S.N.A
...3	AA61-00973D	HOLDER-SCREEN,L;65W3,ABS HB,BLK	S.N.A
...3	AA61-00097A	HOLDER-WIRE;-NYLON 6/6,-,-,NTR,-	S.N.A
...3	AA61-00094C	HOLDER-RAIL;PCJ533R,ABS,-,-,BLK,HB,480	S.N.A
...3	AA60-00134A	SPACER-COVER,DUST;65W3,SPONGE,T3.0,94HF-	S.N.A
...3	AA60-00078B	SPACER-DUAL,LOCK;W3,#250,19*40	S.N.A
...3	AA39-00042C	LEAD CONNECTOR-ASSY;1.75UF,REC,REC,350M	
...3	6005-001006	SCREW-WOOD;FH,+,M3,L15.0,ZPC(BLK),SWRCH1	
...3	3001-000176	SPEAKER;30W,8ohm,93dB,65Hz	
...3	3001-000153	SPEAKER;20W,8ohm,93dB,1.3KHz	
...3	AA61-00357E	HOLDER-MIRROR;48J8,ABS,-,-,BLK,HB,L540	S.N.A
...3	AA61-00864A	HOLDER-PCB;W3,HIPS,V0,BLK	S.N.A
...3	AA61-00858B	BRACKET-FRAME;W3,SECC,T2.0	S.N.A
...3	AA61-00857B	BRACKET-NUT,INSERT;W3,M3 ZN	S.N.A
...3	AA61-00795C	RAIL-DOOR,L;W3,ABS HB,BLK	S.N.A
...3	AA61-00795B	RAIL-DOOR,R;W3,ABS HB,BLK	S.N.A
...3	AA61-00790C	HOLDER-MASK;W3,ABS HB,L610,BLK	S.N.A
...3	AA61-00507B	HOLDER-CABINET,WOOD;43,54,62J8,ABS,-,-	S.N.A
...3	AA61-00506B	HOLDER-CRT,MAIN;43,54,62J8,HIPS,-,-,BL	S.N.A
...3	AA61-00458B	CASTER;-TP4020-05 PLY,-,OH56,-,-,SR44.4	S.N.A
..2	AA67-00125A	SCREEN-LENTICULAR;65W,-,TO.73,1466*862,P	
..2	AA67-00202A	SCREEN-TINT;65W,1466*862,T=0.73,P=0.52	
..2	AA61-00357H	HOLDER-MIRROR;W3,ABS HB,L1060,BLK	S.N.A
..2	AA60-00133A	SPACER-COVER,DUST;65W3,94HF-1,T3.0	S.N.A
..2	AA26-00101A	TRANS FBT;FWZ50A001E/FFA97513B,12KV,5P,-	
..2	6001-000137	SCREW-MACHINE;BH,+,M3,L8,ZPC(YEL),SM20C,	S.N.A
..2	AA67-00133A	SUN SCREEN-AG;65W,-,T=82%,1468*864*2,-,-	
..2	AA67-00125B	SCREEN-FRESNEL;65W,-,T2,1468*864,-,-,-	
..2	AA65-00016A	CLAMPER CORE-CABLE;PJT,NYLON,NTR,6/6	S.N.A
..2	AA63-60131A	SPACER-FELT;SVP403J,FELT,-,-,BLK,TO.5,	S.N.A
..2	AA61-00972D	HOLDER-SCREEN,R;65W3,ABS HB,BLK	S.N.A
..2	AA61-00475B	BRACKET-CRT,MAIN;54,SECC,T1.6,-,-,-	S.N.A

Loc. No.	Code No.	Description ; Specification	Remark
		ASSY COVER REAR	
1 *	BP90-00002A	ASSY COVER REAR;65W3,HCM653WX/XAA	S.N.A
..2	AA64-01395G	INLAY-TERMINAL;J7,J8,PS SHEET,TO.5,-,-,B	S.N.A
..2	AA64-02074B	INLAY-SPEAKER;J7,J8,J9,PS SHEET,TO.5,-,-	S.N.A
..2	AA64-02596A	CABINET BACK-BOT;55W3,HIPS V0,BLK	
..2	AA64-60421C	INLAY-COVER;-PS,TO.3,-,-,BLK,SEA	S.N.A
		ASSY LABEL	
1 *	AA92-05473A	ASSY LABEL;HCM653WX/XAC,P54A	S.N.A
		ASSY BOX	
1 *	BP92-00003B	ASSY BOX;65W3,HCM653WX/XAC	S.N.A
		ASSY P/MATERIAL	
1 *	BP92-00002B	ASSY P/MATERIAL;65W3,SP65W3HFX/BWT	S.N.A
..2	AA61-20285A	HOLDER-BOX;3456,PP,-,-,WHT,V0	S.N.A
		ASSY ACCESSORY	
1 *	AA92-03258D	ASSY ACCESSORY;HCL473WX/XAC	S.N.A
..2	AA68-01509D	MANUAL USERS;HCM5525/553/653,ENG,W/P100G	
..2	AA68-01851C	MANUAL USERS;553W,653W,FRE,W/P100G,P54A,	
..2	AA39-00006A	CABLE RCA;3000MM	
..2	AA59-00176A	REMOCON;-TM63,SHARK,51,L/GRAY,DO,-,-,-	
...3	2802-000194	RESONATOR-CERAMIC;8MHz,1.0%,TP,8.5x4.5x5	
...3	AA09-00275A	IC MICOM;Z96L8808SSC-R51PX,SOP,ST,SZTM-8	
..2	AA61-20126A	HOLDER-LEG;-ABS,-,-,BLK,HB	

7-3 HCM553WX/XAA

Loc. No.	Code No.	Description ; Specification	Remark	Loc. No.	Code No.	Description ; Specification	Remark
ASSY CHASSIS							
1	*	AA91-04006A ASSY CHASSIS;HCM5525W3S/XAA,P54A	S.N.A	...	C573	2201-000599 C-CERAMIC,DISC;0.56nF,10%,500V,Y5P,TP5.	
..2		AA94-11166F ASSY PCB MISC-CRT;DPPCL545R,P54A		...4	CN401	3711-002645 CONNECTOR-HEADER;BOX,6P,1R,2.5mm,STRAIGH	
...3	CN501	3711-003051 CONNECTOR-HEADER;BOX,8P,1R,2.5MM,STRAIGH		...4	D501	0402-000546 DIODE-RECTIFIER;TVR10G,400V,1.0A,DO-41,T	
...3	CN502	3711-003052 CONNECTOR-HEADER;BOX,10P,1R,2.5MM,STRAIG		...4	D502	0402-000546 DIODE-RECTIFIER;TVR10G,400V,1.0A,DO-41,T	
...3	CN502B	3711-003052 CONNECTOR-HEADER;BOX,10P,1R,2.5MM,STRAIG		...4	D503	0402-000493 DIODE-RECTIFIER;1R5GU41,400V,1.5A,DO-15L	
...3	CN503	3711-003052 CONNECTOR-HEADER;BOX,10P,1R,2.5MM,STRAIG		...4	D504	0401-000005 DIODE-SWITCHING;1N4148,100V,200mA,DO-35,	
...3	CN503B	3711-003052 CONNECTOR-HEADER;BOX,10P,1R,2.5MM,STRAIG		...4	D509	0401-000005 DIODE-SWITCHING;1N4148,100V,200mA,DO-35,	
...3	CN503C	3711-003052 CONNECTOR-HEADER;BOX,10P,1R,2.5MM,STRAIG		...4	D510	0401-000005 DIODE-SWITCHING;1N4148,100V,200mA,DO-35,	
...3	CN503D	3711-003052 CONNECTOR-HEADER;BOX,10P,1R,2.5MM,STRAIG		...4	D531	0402-000546 DIODE-RECTIFIER;TVR10G,400V,1.0A,DO-41,T	
...3	CN503E	3711-003052 CONNECTOR-HEADER;BOX,10P,1R,2.5MM,STRAIG		...4	D532	0402-000546 DIODE-RECTIFIER;TVR10G,400V,1.0A,DO-41,T	
...3	CN503F	3711-003052 CONNECTOR-HEADER;BOX,10P,1R,2.5MM,STRAIG		...4	D533	0402-000493 DIODE-RECTIFIER;1R5GU41,400V,1.5A,DO-15L	
...3	CN503G	3711-003052 CONNECTOR-HEADER;BOX,10P,1R,2.5MM,STRAIG		...4	D561	0402-000546 DIODE-RECTIFIER;TVR10G,400V,1.0A,DO-41,T	
...3	CN503H	3711-003052 CONNECTOR-HEADER;BOX,10P,1R,2.5MM,STRAIG		...4	D562	0402-000546 DIODE-RECTIFIER;TVR10G,400V,1.0A,DO-41,T	
...3	CN503I	3711-003052 CONNECTOR-HEADER;BOX,10P,1R,2.5MM,STRAIG		...4	D563	0402-000493 DIODE-RECTIFIER;1R5GU41,400V,1.5A,DO-15L	
...3	CN503J	3711-003052 CONNECTOR-HEADER;BOX,10P,1R,2.5MM,STRAIG		...4	DZ501	0403-000334 DIODE-ZENER;UZ2.7BSA,2.7V,2.54-2.75V,500	
...3	CN503K	3711-003052 CONNECTOR-HEADER;BOX,10P,1R,2.5MM,STRAIG		...4	DZ502	0403-000508 DIODE-ZENER;MTZJ5.6B,5.6V,5.45-5.73V,500	
...3	CN503L	3711-003052 CONNECTOR-HEADER;BOX,10P,1R,2.5MM,STRAIG		...4	DZ503	0403-000708 DIODE-ZENER;MTZJ13B,13V,12.55-13.21V,500	
...3	CN503M	3711-003052 CONNECTOR-HEADER;BOX,10P,1R,2.5MM,STRAIG		...4	DZ531	0403-000334 DIODE-ZENER;UZ2.7BSA,2.7V,2.54-2.75V,500	
...3	CN503N	3711-003052 CONNECTOR-HEADER;BOX,10P,1R,2.5MM,STRAIG		...4	DZ532	0403-000508 DIODE-ZENER;MTZJ5.6B,5.6V,5.45-5.73V,500	
...3	CN503O	3711-003052 CONNECTOR-HEADER;BOX,10P,1R,2.5MM,STRAIG		...4	DZ533	0403-000708 DIODE-ZENER;MTZJ13B,13V,12.55-13.21V,500	
...3	CN503P	3711-003052 CONNECTOR-HEADER;BOX,10P,1R,2.5MM,STRAIG		...4	DZ561	0403-000334 DIODE-ZENER;UZ2.7BSA,2.7V,2.54-2.75V,500	
...3	CN503Q	3711-003052 CONNECTOR-HEADER;BOX,10P,1R,2.5MM,STRAIG		...4	DZ562	0403-000508 DIODE-ZENER;MTZJ5.6B,5.6V,5.45-5.73V,500	
...3	CN503R	3711-003052 CONNECTOR-HEADER;BOX,10P,1R,2.5MM,STRAIG		...4	DZ563	0403-000708 DIODE-ZENER;MTZJ13B,13V,12.55-13.21V,500	
...3	CN503S	3711-003052 CONNECTOR-HEADER;BOX,10P,1R,2.5MM,STRAIG		...4	EL503	AA60-40011B EYELET;ID2.2,OD3.2,BSP	S.N.A
...3	CN503T	3711-003052 CONNECTOR-HEADER;BOX,10P,1R,2.5MM,STRAIG		...4	EL504	AA60-40011B EYELET;ID2.2,OD3.2,BSP	S.N.A
...3	CN503U	3711-003052 CONNECTOR-HEADER;BOX,10P,1R,2.5MM,STRAIG		...4	EL505	AA60-40011B EYELET;ID2.2,OD3.2,BSP	S.N.A
...3	CN503V	3711-003052 CONNECTOR-HEADER;BOX,10P,1R,2.5MM,STRAIG		...4	EL533	AA60-40011B EYELET;ID2.2,OD3.2,BSP	S.N.A
...3	CN503W	3711-003052 CONNECTOR-HEADER;BOX,10P,1R,2.5MM,STRAIG		...4	EL534	AA60-40011B EYELET;ID2.2,OD3.2,BSP	S.N.A
...3	CN503X	3711-003052 CONNECTOR-HEADER;BOX,10P,1R,2.5MM,STRAIG		...4	EL535	AA60-40011B EYELET;ID2.2,OD3.2,BSP	S.N.A
...3	CN503Y	3711-003052 CONNECTOR-HEADER;BOX,10P,1R,2.5MM,STRAIG		...4	EL563	AA60-40011B EYELET;ID2.2,OD3.2,BSP	S.N.A
...3	CN503Z	3711-003052 CONNECTOR-HEADER;BOX,10P,1R,2.5MM,STRAIG		...4	EL564	AA60-40011B EYELET;ID2.2,OD3.2,BSP	S.N.A
...3	CN504	3711-003052 CONNECTOR-HEADER;BOX,10P,1R,2.5MM,STRAIG		...4	EL565	AA60-40011B EYELET;ID2.2,OD3.2,BSP	S.N.A
...3	CN505	3711-003052 CONNECTOR-HEADER;BOX,10P,1R,2.5MM,STRAIG		...4	GT501	AA60-40014A PIN-GT,ASSY;AUTO	S.N.A
...3	CN506	3711-003052 CONNECTOR-HEADER;BOX,10P,1R,2.5MM,STRAIG		...4	GT502	AA60-40014A PIN-GT,ASSY;AUTO	S.N.A
...3	CN507	3711-003052 CONNECTOR-HEADER;BOX,10P,1R,2.5MM,STRAIG		...4	GT503	AA60-40014A PIN-GT,ASSY;AUTO	S.N.A
...3	CN508	3711-003052 CONNECTOR-HEADER;BOX,10P,1R,2.5MM,STRAIG		...4	GT504	AA60-40014A PIN-GT,ASSY;AUTO	S.N.A
...3	CN509	3711-003052 CONNECTOR-HEADER;BOX,10P,1R,2.5MM,STRAIG		...4	GT531	AA60-40014A PIN-GT,ASSY;AUTO	S.N.A
...3	CN510	3711-003052 CONNECTOR-HEADER;BOX,10P,1R,2.5MM,STRAIG		...4	GT532	AA60-40014A PIN-GT,ASSY;AUTO	S.N.A
...3	CN511	3711-003052 CONNECTOR-HEADER;BOX,10P,1R,2.5MM,STRAIG		...4	GT533	AA60-40014A PIN-GT,ASSY;AUTO	S.N.A
...3	CN512	3711-003052 CONNECTOR-HEADER;BOX,10P,1R,2.5MM,STRAIG		...4	GT534	AA60-40014A PIN-GT,ASSY;AUTO	S.N.A
...3	CN513	3711-003052 CONNECTOR-HEADER;BOX,10P,1R,2.5MM,STRAIG		...4	GT561	AA60-40014A PIN-GT,ASSY;AUTO	S.N.A
...3	CN514	3711-003052 CONNECTOR-HEADER;BOX,10P,1R,2.5MM,STRAIG		...4	GT562	AA60-40014A PIN-GT,ASSY;AUTO	S.N.A
...3	CN515	3711-003052 CONNECTOR-HEADER;BOX,10P,1R,2.5MM,STRAIG		...4	GT563	AA60-40014A PIN-GT,ASSY;AUTO	S.N.A
...3	CN516	3711-003052 CONNECTOR-HEADER;BOX,10P,1R,2.5MM,STRAIG		...4	GT564	AA60-40014A PIN-GT,ASSY;AUTO	S.N.A
...3	CN517	3711-003052 CONNECTOR-HEADER;BOX,10P,1R,2.5MM,STRAIG		...4	GT565	AA60-40014A PIN-GT,ASSY;AUTO	S.N.A
...3	CN518	3711-003052 CONNECTOR-HEADER;BOX,10P,1R,2.5MM,STRAIG		...4	L501	2701-000114 INDUCTOR-AXIAL;10uH,10%,2.5x3.4mm	
...3	CN519	3711-003052 CONNECTOR-HEADER;BOX,10P,1R,2.5MM,STRAIG		...4	L531	2701-000114 INDUCTOR-AXIAL;10uH,10%,2.5x3.4mm	
...3	CN520	3711-003052 CONNECTOR-HEADER;BOX,10P,1R,2.5MM,STRAIG		...4	L561	2701-000114 INDUCTOR-AXIAL;10uH,10%,2.5x3.4mm	
...3	CN521	3711-003052 CONNECTOR-HEADER;BOX,10P,1R,2.5MM,STRAIG		...4	PCB	AA41-00406B PCB-CRT;PCL545R,FR-1,1L,B,1.6T,245X245,P	S.N.A
...3	CN522	3711-003052 CONNECTOR-HEADER;BOX,10P,1R,2.5MM,STRAIG		...4	Q501	0502-000006 TR-POWER;KSC1507,NPN,15W,TO-220,TP,120-	
...3	CN523	3711-003052 CONNECTOR-HEADER;BOX,10P,1R,2.5MM,STRAIG		...4	Q502	0501-000389 TR-SMALL SIGNAL;KSC815,NPN,400mW,TO-92,T	
...3	CN524	3711-003052 CONNECTOR-HEADER;BOX,10P,1R,2.5MM,STRAIG		...4	Q504	0501-000283 TR-SMALL SIGNAL;KSA539,PNP,400mW,TO-92,T	
...3	CN525	3711-003052 CONNECTOR-HEADER;BOX,10P,1R,2.5MM,STRAIG		...4	Q531	0502-000006 TR-POWER;KSC1507,NPN,15W,TO-220,TP,120-	
...3	CN526	3711-003052 CONNECTOR-HEADER;BOX,10P,1R,2.5MM,STRAIG		...4	Q533	0501-000283 TR-SMALL SIGNAL;KSA539,PNP,400mW,TO-92,T	
...3	CN527	3711-003052 CONNECTOR-HEADER;BOX,10P,1R,2.5MM,STRAIG		...4	Q561	0502-000006 TR-POWER;KSC1507,NPN,15W,TO-220,TP,120-	
...3	CN528	3711-003052 CONNECTOR-HEADER;BOX,10P,1R,2.5MM,STRAIG		...4	Q563	0501-000283 TR-SMALL SIGNAL;KSA539,PNP,400mW,TO-92,T	
...3	CN529	3711-003052 CONNECTOR-HEADER;BOX,10P,1R,2.5MM,STRAIG		...4	R500	2001-000613 R-CARBON;3.9KOHM,5%,1/8W,AA,TP,1.8X3.2MM	
...3	CN530	3711-003052 CONNECTOR-HEADER;BOX,10P,1R,2.5MM,STRAIG		...4	R502	2001-000995 R-CARBON;820OHM,5%,1/8W,AA,TP,1.8X3.2MM	
...3	CN531	3711-003052 CONNECTOR-HEADER;BOX,10P,1R,2.5MM,STRAIG		...4	R503	2001-000429 R-CARBON;1KOHM,5%,1/8W,AA,TP,1.8X3.2MM	
...3	CN532	3711-003052 CONNECTOR-HEADER;BOX,10P,1R,2.5MM,STRAIG		...4	R504	2001-000006 R-CARBON;2.4KOHM,5%,1/8W,AA,TP,1.8X3.2MM	
...3	CN533	3711-003052 CONNECTOR-HEADER;BOX,10P,1R,2.5MM,STRAIG		...4	R505	2001-000362 R-CARBON;150OHM,5%,1/8W,AA,TP,1.8X3.2MM	
...3	CN534	3711-003052 CONNECTOR-HEADER;BOX,10P,1R,2.5MM,STRAIG		...4	R506	2001-001049 R-CARBON(S);1.3KOHM,5%,1/2W,AA,TP,2.4X6.	
...3	CN535	3711-003052 CONNECTOR-HEADER;BOX,10P,1R,2.5MM,STRAIG		...4	R507	2001-001088 R-CARBON(S);1KOHM,5%,1/2W,AA,TP,2.4X6.4M	
...3	CN536	3711-003052 CONNECTOR-HEADER;BOX,10P,1R,2.5MM,STRAIG		...4	R508	2003-000738 R-METAL OXIDE(S);56Kohm,5%,2W,AA,TP,4x12	
...3	CN537	3711-003052 CONNECTOR-HEADER;BOX,10P,1R,2.5MM,STRAIG		...4	R509	2001-000734 R-CARBON;4.7KOHM,5%,1/8W,AA,TP,1.8X3.2MM	
...3	CN538	3711-003052 CONNECTOR-HEADER;BOX,10P,1R,2.5MM,STRAIG		...4	R510	2001-001000 R-CARBON;82KOHM,5%,1/8W,AA,TP,1.8X3.2MM	
...3	CN539	3711-003052 CONNECTOR-HEADER;BOX,10P,1R,2.5MM,STRAIG		...4	R511	2001-000313 R-CARBON;11KOHM,5%,1/8W,AA,TP,1.8X3.2MM	
...3	CN540	3711-003052 CONNECTOR-HEADER;BOX,10P,1R,2.5MM,STRAIG		...4	R513	2008-001129 R-FUSIBLE(S);1.5ohm,5%,1/2W,AF,TP,2.5x6.	
...3	CN541	3711-003052 CONNECTOR-HEADER;BOX,10P,1R,2.5MM,STRAIG		...4	R514	2001-001122 R-CARBON(S);3.9KOHM,5%,1/2W,AA,TP,2.4X6.	
...3	CN542	3711-003052 CONNECTOR-HEADER;BOX,10P,1R,2.5MM,STRAIG		...4	R515	2002-001017 R-COMPOSITION;1Kohm,10%,1/2W,AA,TP,3.7x9	
...3	CN543	3711-003052 CONNECTOR-HEADER;BOX,10P,1R,2.5MM,STRAIG		...4	R516	2001-000009 R-CARBON;20KOHM,5%,1/8W,AA,TP,1.8X3.2MM	
...3	CN544	3711-003052 CONNECTOR-HEADER;BOX,10P,1R,2.5MM,STRAIG		...4	R517	2001-000085 R-CARBON(S);100KOHM,5%,1/2W,AA,TP,2.4X6.	

Electrical Parts List

Loc. No.	Code No.	Description ; Specification	Remark	Loc. No.	Code No.	Description ; Specification	Remark	
.....5	C769	2203-000975	C-CERAMIC,CHIP;47nF,10%,25V,X7R,TP,1608,5	R760	2007-000074	R-CHIP;100ohm,5%,1/16W,DA,TP,1608	
.....5	CD02	2203-000181	C-CERAMIC,CHIP;100nF,+80-20%,25V,Y5V,TP,5	R761	2007-000122	R-CHIP;1.2Kohm,5%,1/16W,DA,TP,1608	
.....5	CD04	2203-000181	C-CERAMIC,CHIP;100nF,+80-20%,25V,Y5V,TP,5	R762	2007-000074	R-CHIP;100ohm,5%,1/16W,DA,TP,1608	
.....5	CD05	2203-000681	C-CERAMIC,CHIP;0.027nF,5%,50V,NPO,TP,1605	R763	2007-000074	R-CHIP;100ohm,5%,1/16W,DA,TP,1608	
.....5	CD07	2203-000181	C-CERAMIC,CHIP;100nF,+80-20%,25V,Y5V,TP,5	R764	2007-000122	R-CHIP;1.2Kohm,5%,1/16W,DA,TP,1608	
.....5	CD08	2203-000181	C-CERAMIC,CHIP;100nF,+80-20%,25V,Y5V,TP,5	R765	2007-000074	R-CHIP;100ohm,5%,1/16W,DA,TP,1608	
.....5	CD09	2203-000440	C-CERAMIC,CHIP;1nF,10%,50V,X7R,TP,1608,-5	R766	2007-000074	R-CHIP;100ohm,5%,1/16W,DA,TP,1608	
.....5	CD10	2203-000257	C-CERAMIC,CHIP;10nF,10%,50V,X7R,TP,16085	R767	2007-000074	R-CHIP;100ohm,5%,1/16W,DA,TP,1608	
.....5	CD13	2203-000181	C-CERAMIC,CHIP;100nF,+80-20%,25V,Y5V,TP,5	R768	2007-000074	R-CHIP;100ohm,5%,1/16W,DA,TP,1608	
.....5	CD14	2203-000181	C-CERAMIC,CHIP;100nF,+80-20%,25V,Y5V,TP,5	R769	2007-000074	R-CHIP;100ohm,5%,1/16W,DA,TP,1608	
.....5	CD15	2203-000181	C-CERAMIC,CHIP;100nF,+80-20%,25V,Y5V,TP,5	R774	2007-001167	R-CHIP;75ohm,5%,1/16W,DA,TP,1608	
.....5	CD18	2203-000681	C-CERAMIC,CHIP;0.027nF,5%,50V,NPO,TP,1605	R775	2007-000070	R-CHIP;0ohm,5%,1/16W,DA,TP,1608	
.....5	IC701	1001-001030	IC-VIDEO SWITCH;TDA6920X,-,SOP,28P,300MI5	R776	2007-001167	R-CHIP;75ohm,5%,1/16W,DA,TP,1608	
.....5	IC702	1001-001030	IC-VIDEO SWITCH;TDA6920X,-,SOP,28P,300MI5	R777	2007-001167	R-CHIP;75ohm,5%,1/16W,DA,TP,1608	
.....5	PCB	AA41-00343A	PCB-TERMINAL;PCL545R,FR,4.2L,A,1.6T,180X	S.N.A5	R779	2007-001167	R-CHIP;75ohm,5%,1/16W,DA,TP,1608
.....5	Q701	0501-000727	TR-SMALL SIGNAL;BC848C,NPN,310mW,SOT-23,5	R780	2007-000078	R-CHIP;1Kohm,5%,1/16W,DA,TP,1608	
.....5	Q702	0501-000727	TR-SMALL SIGNAL;BC848C,NPN,310mW,SOT-23,5	R788	2007-000078	R-CHIP;1Kohm,5%,1/16W,DA,TP,1608	
.....5	Q703	0501-000727	TR-SMALL SIGNAL;BC848C,NPN,310mW,SOT-23,5	R791	2007-000074	R-CHIP;100ohm,5%,1/16W,DA,TP,1608	
.....5	Q704	0501-000727	TR-SMALL SIGNAL;BC848C,NPN,310mW,SOT-23,5	R792	2007-000074	R-CHIP;100ohm,5%,1/16W,DA,TP,1608	
.....5	Q705	0501-000727	TR-SMALL SIGNAL;BC848C,NPN,310mW,SOT-23,5	R793	2007-000074	R-CHIP;100ohm,5%,1/16W,DA,TP,1608	
.....5	Q706	0501-000727	TR-SMALL SIGNAL;BC848C,NPN,310mW,SOT-23,5	R794	2007-000074	R-CHIP;100ohm,5%,1/16W,DA,TP,1608	
.....5	Q707	0501-000727	TR-SMALL SIGNAL;BC848C,NPN,310mW,SOT-23,5	R795	2007-000070	R-CHIP;0ohm,5%,1/16W,DA,TP,1608	
.....5	Q711	0501-000727	TR-SMALL SIGNAL;BC848C,NPN,310mW,SOT-23,5	R796	2007-000070	R-CHIP;0ohm,5%,1/16W,DA,TP,1608	
.....5	Q712	0501-000727	TR-SMALL SIGNAL;BC848C,NPN,310mW,SOT-23,5	R797	2007-000070	R-CHIP;0ohm,5%,1/16W,DA,TP,1608	
.....5	Q714	0501-000727	TR-SMALL SIGNAL;BC848C,NPN,310mW,SOT-23,5	R820	2007-000070	R-CHIP;0ohm,5%,1/16W,DA,TP,1608	
.....5	QD01	0501-000344	TR-SMALL SIGNAL;KSC1623-G,NPN,200mW,SOT-5	R821	2007-000070	R-CHIP;0ohm,5%,1/16W,DA,TP,1608	
.....5	QD02	0501-000344	TR-SMALL SIGNAL;KSC1623-G,NPN,200mW,SOT-5	R829	2007-000078	R-CHIP;1Kohm,5%,1/16W,DA,TP,1608	
.....5	QD03	0501-000344	TR-SMALL SIGNAL;KSC1623-G,NPN,200mW,SOT-5	R830	2007-001167	R-CHIP;75ohm,5%,1/16W,DA,TP,1608	
.....5	QD04	0501-000344	TR-SMALL SIGNAL;KSC1623-G,NPN,200mW,SOT-5	RD01	2007-000084	R-CHIP;4.7Kohm,5%,1/16W,DA,TP,1608	
.....5	R701	2007-001167	R-CHIP;75ohm,5%,1/16W,DA,TP,16085	RD02	2007-000084	R-CHIP;4.7Kohm,5%,1/16W,DA,TP,1608	
.....5	R702	2007-000078	R-CHIP;1Kohm,5%,1/16W,DA,TP,16085	RD03	2007-000094	R-CHIP;22Kohm,5%,1/16W,DA,TP,1608	
.....5	R703	2007-001167	R-CHIP;75ohm,5%,1/16W,DA,TP,16085	RD04	2007-000096	R-CHIP;30Kohm,5%,1/16W,DA,TP,1608	
.....5	R704	2007-001157	R-CHIP;750ohm,5%,1/16W,DA,TP,16085	RD05	2007-000078	R-CHIP;1Kohm,5%,1/16W,DA,TP,1608	
.....5	R705	2007-001167	R-CHIP;75ohm,5%,1/16W,DA,TP,16085	RD06	2007-000090	R-CHIP;10KOHM,5%,1/16W,DA,TP,1608	
.....5	R706	2007-001167	R-CHIP;75ohm,5%,1/16W,DA,TP,16085	RD07	2007-000106	R-CHIP;220Kohm,5%,1/16W,DA,TP,1608	
.....5	R707	2007-000084	R-CHIP;4.7Kohm,5%,1/16W,DA,TP,16085	RD08	2007-000090	R-CHIP;10KOHM,5%,1/16W,DA,TP,1608	
.....5	R708	2007-000074	R-CHIP;100ohm,5%,1/16W,DA,TP,16085	RD09	2007-000087	R-CHIP;6.8Kohm,5%,1/16W,DA,TP,1608	
.....5	R709	2007-000074	R-CHIP;100ohm,5%,1/16W,DA,TP,16085	RD11	2007-000124	R-CHIP;2.2Kohm,5%,1/16W,DA,TP,1608	
.....5	R710	2007-000074	R-CHIP;100ohm,5%,1/16W,DA,TP,16085	RD12	2007-000913	R-CHIP;43Kohm,5%,1/16W,DA,TP,1608	
.....5	R712	2007-000074	R-CHIP;100ohm,5%,1/16W,DA,TP,16085	RD13	2007-000090	R-CHIP;10KOHM,5%,1/16W,DA,TP,1608	
.....5	R713	2007-000074	R-CHIP;100ohm,5%,1/16W,DA,TP,16085	RD14	2007-000124	R-CHIP;2.2Kohm,5%,1/16W,DA,TP,1608	
.....5	R714	2007-000074	R-CHIP;100ohm,5%,1/16W,DA,TP,16085	RD15	2007-000094	R-CHIP;22Kohm,5%,1/16W,DA,TP,1608	
.....5	R715	2007-001167	R-CHIP;75ohm,5%,1/16W,DA,TP,16085	RD16	2007-000090	R-CHIP;10KOHM,5%,1/16W,DA,TP,1608	
.....5	R716	2007-001167	R-CHIP;75ohm,5%,1/16W,DA,TP,16085	RD17	2007-000090	R-CHIP;10KOHM,5%,1/16W,DA,TP,1608	
.....5	R717	2007-001167	R-CHIP;75ohm,5%,1/16W,DA,TP,16085	RD19	2007-000084	R-CHIP;4.7Kohm,5%,1/16W,DA,TP,1608	
.....5	R718	2007-001167	R-CHIP;75ohm,5%,1/16W,DA,TP,16085	RD20	2007-000084	R-CHIP;4.7Kohm,5%,1/16W,DA,TP,1608	
.....5	R719	2007-001167	R-CHIP;75ohm,5%,1/16W,DA,TP,16085	RD21	2007-000078	R-CHIP;1Kohm,5%,1/16W,DA,TP,1608	
.....5	R720	2007-000078	R-CHIP;1Kohm,5%,1/16W,DA,TP,16085	RP784	2007-000070	R-CHIP;0ohm,5%,1/16W,DA,TP,1608	
.....5	R721	2007-000074	R-CHIP;100ohm,5%,1/16W,DA,TP,16085	RY701	2007-001167	R-CHIP;75ohm,5%,1/16W,DA,TP,1608	
.....5	R722	2007-001167	R-CHIP;75ohm,5%,1/16W,DA,TP,16085	RY702	2007-001167	R-CHIP;75ohm,5%,1/16W,DA,TP,1608	
.....5	R723	2007-000074	R-CHIP;100ohm,5%,1/16W,DA,TP,16085	RY703	2007-001167	R-CHIP;75ohm,5%,1/16W,DA,TP,1608	
.....5	R724	2007-000074	R-CHIP;100ohm,5%,1/16W,DA,TP,16083	0202-000187	SOLDER-WIRE FLUX;-RS60S,D1.2,63Sn/37Pb	S.N.A	
.....5	R725	2007-000074	R-CHIP;100ohm,5%,1/16W,DA,TP,16083	0202-001167	SOLDER-CREAM;RX3603-2330HO,S45A,PASTE,SN	S.N.A	
.....5	R726	2007-001167	R-CHIP;75ohm,5%,1/16W,DA,TP,16083	AA63-10002A	BAND-TIE;NYLON66 V2,L100,NTR	S.N.A	
.....5	R727	2007-001167	R-CHIP;75ohm,5%,1/16W,DA,TP,16082	AA95-01841C	ASSY SUB-PCB,SENSOR;DPP;PCL545R,P54A,AA95		
.....5	R728	2007-001167	R-CHIP;75ohm,5%,1/16W,DA,TP,16083	3711-002642	CONNECTOR-HEADER;BOX,3P,1R,2.5mm,STRAIGH		
.....5	R729	2007-001167	R-CHIP;75ohm,5%,1/16W,DA,TP,16083	D01	0603-001067	PHOTO DIODE;-10V,560nm,BK	
.....5	R734	2007-000097	R-CHIP;47Kohm,5%,1/16W,DA,TP,16083	AA97-05353A	ASSY AUTO-SUB;DPP;PCL545R,P54A	S.N.A	
.....5	R735	2007-000097	R-CHIP;47Kohm,5%,1/16W,DA,TP,16084	PCB	AA41-00433B	PCB-SENSOR;PCL545R,CEM-1,1L,A,1.6T,245X2	S.N.A
.....5	R740	2007-000078	R-CHIP;1Kohm,5%,1/16W,DA,TP,16084	Q01	0501-000389	TR-SMALL SIGNAL;KSC815,NPN,400mW,TO-92,T	
.....5	R741	2007-000078	R-CHIP;1Kohm,5%,1/16W,DA,TP,16084	R01	2001-000739	R-CARBON;4.7MOHM,5%,1/8W,AA,TP,1.8X3.2MM	
.....5	R742	2007-000078	R-CHIP;1Kohm,5%,1/16W,DA,TP,16084	R02	2001-000739	R-CARBON;4.7MOHM,5%,1/8W,AA,TP,1.8X3.2MM	
.....5	R743	2007-000078	R-CHIP;1Kohm,5%,1/16W,DA,TP,16084	R03	2001-000454	R-CARBON;2.2MOHM,5%,1/8W,AA,TP,1.8X3.2MM	
.....5	R744	2007-000078	R-CHIP;1Kohm,5%,1/16W,DA,TP,16083	0202-000187	SOLDER-WIRE FLUX;-RS60S,D1.2,63Sn/37Pb	S.N.A	
.....5	R745	2007-000078	R-CHIP;1Kohm,5%,1/16W,DA,TP,16082	AA91-04033A	ASSY MISC-CHASSIS PACK;HCM553W3S/XAA,P54		
.....5	R748	2007-000084	R-CHIP;4.7Kohm,5%,1/16W,DA,TP,16083	AA98-01429A	ASSY K/D;SP55W3HFS/XET		
.....5	R749	2007-000100	R-CHIP;68Kohm,5%,1/16W,DA,TP,16084	PM+HC	6003-001023	SCREW-TAPTITE;RWH,+,B,M3,L10,ZPC(YEL),SW	S.N.A
.....5	R750	2007-000100	R-CHIP;68Kohm,5%,1/16W,DA,TP,16084	PP+HC	6003-001023	SCREW-TAPTITE;RWH,+,B,M3,L10,ZPC(YEL),SW	S.N.A
.....5	R751	2007-000100	R-CHIP;68Kohm,5%,1/16W,DA,TP,16084	PS+HC	6003-001023	SCREW-TAPTITE;RWH,+,B,M3,L10,ZPC(YEL),SW	S.N.A
.....5	R752	2007-000100	R-CHIP;68Kohm,5%,1/16W,DA,TP,16084	AA61-00504B	HOLDER-CHASSIS;43,54,62J8,ABS,-,-,GRAY	S.N.A	
.....5	R753	2007-000329	R-CHIP;11Kohm,5%,1/16W,DA,TP,16083	AA95-01846D	ASSY SUB-PCB,SUB;PCL545R,P54A,AA95-00705		
.....5	R754	2007-000329	R-CHIP;11Kohm,5%,1/16W,DA,TP,16084	C432	2306-000267	C-FILM,MPPF;8.2nF,5%,1.6KV,TP,28.5x18.5x	
.....5	R755	2007-000100	R-CHIP;68Kohm,5%,1/16W,DA,TP,16084	C438	2306-000267	C-FILM,MPPF;8.2nF,5%,1.6KV,TP,28.5x18.5x	
.....5	R756	2007-000100	R-CHIP;68Kohm,5%,1/16W,DA,TP,16084	C491	2306-000322	C-FILM,MPPF;12nF,5%,1.6KV,TP,29x20.5x13,	
.....5	R757	2007-000100	R-CHIP;68Kohm,5%,1/16W,DA,TP,16084	C876	2401-000787	C-AL;220uF,20%,160V,GP,TP,16x31.5mm	
.....5	R758	2007-000100	R-CHIP;68Kohm,5%,1/16W,DA,TP,16084	CN202	AA39-00116A	LEAD CONNECTOR-ASSY;12PYBNH250-12,3515	
.....5	R759	2007-000084	R-CHIP;4.7Kohm,5%,1/16W,DA,TP,16084	CN801	AA39-00180A	LEAD CONNECTOR-ASSY;14PYBNH250-14,3515	

Electrical Parts List

Loc. No.	Code No.	Description ; Specification	Remark	Loc. No.	Code No.	Description ; Specification	Remark	
.....5	CS814	2201-000332	C-CERAMIC,DISC;2.2nF,20%,250V,Y5U,TP,9x45	DZ801	0406-001106	DIODE-TVS;P6KE300A,285/-/315V,600W,DO-20	
.....5	CZ101	2401-001428	C-AL;470uF,20%,50V,GP,TP,10x20,55	DZ802	0406-001106	DIODE-TVS;P6KE300A,285/-/315V,600W,DO-20	
.....5	CZ102	2401-001428	C-AL;470uF,20%,50V,GP,TP,10x20,55	DZ803	0403-000508	DIODE-ZENER;MTZJ5.6B,5.6V,5.45-5.73V,500	
.....5	CZ108	2201-000499	C-CERAMIC,DISC;0.39nF,5%,50V,SL,TP,8.5x35	DZ804	0403-000716	DIODE-ZENER;MTZJ4.7B,4.7V,4.55-4.8V,500m	
.....5	CZ109	2201-000499	C-CERAMIC,DISC;0.39nF,5%,50V,SL,TP,8.5x35	DZ805	0403-001322	DIODE-ZENER;MTZJ8.2B,7.78-8.19V,500mW,DO	
.....5	CZ110	2201-000499	C-CERAMIC,DISC;0.39nF,5%,50V,SL,TP,8.5x35	EL01	AA60-40011B	EYELET;ID2.0,OD2.8,BSP	S.N.A
.....5	CZ111	2201-000976	C-CERAMIC,DISC;0.022nF,5%,50V,NP0,TP,5x35	EY101	AA60-40011A	EYELET;ID2.0,OD2.8,BST	S.N.A
.....5	CZ112	2201-000863	C-CERAMIC,DISC;0.68nF,10%,50V,Y5P,TP,5x35	EY102	AA60-40011A	EYELET;ID2.0,OD2.8,BST	S.N.A
.....5	CZ113	2201-000976	C-CERAMIC,DISC;0.022nF,5%,50V,NP0,TP,5x35	EY103	AA60-40011A	EYELET;ID2.0,OD2.8,BST	S.N.A
.....5	CZ114	2201-000863	C-CERAMIC,DISC;0.68nF,10%,50V,Y5P,TP,5x35	EY104	AA60-40011A	EYELET;ID2.0,OD2.8,BST	S.N.A
.....5	CZ115	2201-000976	C-CERAMIC,DISC;0.022nF,5%,50V,NP0,TP,5x35	EY105	AA60-40011A	EYELET;ID2.0,OD2.8,BST	S.N.A
.....5	CZ116	2201-000863	C-CERAMIC,DISC;0.68nF,10%,50V,Y5P,TP,5x35	EY107	AA60-40011A	EYELET;ID2.0,OD2.8,BST	S.N.A
.....5	CZ117	2201-000327	C-CERAMIC,DISC;2.2nF,10%,50V,Y5V,TP,6.5x5	EY108	AA60-40011A	EYELET;ID2.0,OD2.8,BST	S.N.A
.....5	CZ118	2201-000327	C-CERAMIC,DISC;2.2nF,10%,50V,Y5V,TP,6.5x5	EY109	AA60-40011A	EYELET;ID2.0,OD2.8,BST	S.N.A
.....5	CZ126	2201-000499	C-CERAMIC,DISC;0.39nF,5%,50V,SL,TP,8.5x35	EY110	AA60-40011A	EYELET;ID2.0,OD2.8,BST	S.N.A
.....5	CZ127	2201-000499	C-CERAMIC,DISC;0.39nF,5%,50V,SL,TP,8.5x35	EY111	AA60-40011A	EYELET;ID2.0,OD2.8,BST	S.N.A
.....5	CZ128	2201-000499	C-CERAMIC,DISC;0.39nF,5%,50V,SL,TP,8.5x35	EY112	AA60-40011A	EYELET;ID2.0,OD2.8,BST	S.N.A
.....5	CZ132	2201-000976	C-CERAMIC,DISC;0.022nF,5%,50V,NP0,TP,5x35	EY113	AA60-40011A	EYELET;ID2.0,OD2.8,BST	S.N.A
.....5	CZ133	2201-000863	C-CERAMIC,DISC;0.68nF,10%,50V,Y5P,TP,5x35	EY114	AA60-40011A	EYELET;ID2.0,OD2.8,BST	S.N.A
.....5	CZ134	2201-000976	C-CERAMIC,DISC;0.022nF,5%,50V,NP0,TP,5x35	EY115	AA60-40011A	EYELET;ID2.0,OD2.8,BST	S.N.A
.....5	CZ135	2201-000863	C-CERAMIC,DISC;0.68nF,10%,50V,Y5P,TP,5x35	EY116	AA60-40011A	EYELET;ID2.0,OD2.8,BST	S.N.A
.....5	CZ136	2201-000976	C-CERAMIC,DISC;0.022nF,5%,50V,NP0,TP,5x35	EY117	AA60-40011A	EYELET;ID2.0,OD2.8,BST	S.N.A
.....5	CZ137	2201-000863	C-CERAMIC,DISC;0.68nF,10%,50V,Y5P,TP,5x35	EY118	AA60-40011A	EYELET;ID2.0,OD2.8,BST	S.N.A
.....5	CZ138	2201-000327	C-CERAMIC,DISC;2.2nF,10%,50V,Y5V,TP,6.5x5	EY120	AA60-40011A	EYELET;ID2.0,OD2.8,BST	S.N.A
.....5	CZ139	2201-000327	C-CERAMIC,DISC;2.2nF,10%,50V,Y5V,TP,6.5x5	EY121	AA60-40011A	EYELET;ID2.0,OD2.8,BST	S.N.A
.....5	CZ140	2401-000962	C-AL;22uF,20%,50V,GP,TP,5x11,55	EY122	AA60-40011A	EYELET;ID2.0,OD2.8,BST	S.N.A
.....5	CZ141	2401-000962	C-AL;22uF,20%,50V,GP,TP,5x11,55	EY123	AA60-40011A	EYELET;ID2.0,OD2.8,BST	S.N.A
.....5	CZ151	2202-000796	C-CERAMIC,MLC-AXIAL;1NF,10%,50V,Y5P,TP,35	EY124	AA60-40011A	EYELET;ID2.0,OD2.8,BST	S.N.A
.....5	CZ152	2202-000796	C-CERAMIC,MLC-AXIAL;1NF,10%,50V,Y5P,TP,35	EY125	AA60-40011A	EYELET;ID2.0,OD2.8,BST	S.N.A
.....5	CZ153	2202-000796	C-CERAMIC,MLC-AXIAL;1NF,10%,50V,Y5P,TP,35	EY126	AA60-40011A	EYELET;ID2.0,OD2.8,BST	S.N.A
.....5	CZ154	2202-000796	C-CERAMIC,MLC-AXIAL;1NF,10%,50V,Y5P,TP,35	EY127	AA60-40011A	EYELET;ID2.0,OD2.8,BST	S.N.A
.....5	CZ155	2202-000796	C-CERAMIC,MLC-AXIAL;1NF,10%,50V,Y5P,TP,35	EY128	AA60-40011A	EYELET;ID2.0,OD2.8,BST	S.N.A
.....5	CZ156	2202-000796	C-CERAMIC,MLC-AXIAL;1NF,10%,50V,Y5P,TP,35	EY129	AA60-40011A	EYELET;ID2.0,OD2.8,BST	S.N.A
.....5	D302	0402-000546	DIODE-RECTIFIER;TVR10G,400V,1.0A,DO-41,T5	EY130	AA60-40011A	EYELET;ID2.0,OD2.8,BST	S.N.A
.....5	D353	0401-000005	DIODE-SWITCHING;1N4148,100V,200mA,DO-35,5	EY131	AA60-40011A	EYELET;ID2.0,OD2.8,BST	S.N.A
.....5	D384	0402-000132	DIODE-RECTIFIER;1N4004,400V,1A,DO-41,TP5	EY132	AA60-40011A	EYELET;ID2.0,OD2.8,BST	S.N.A
.....5	D385	0401-000005	DIODE-SWITCHING;1N4148,100V,200mA,DO-35,5	EY133	AA60-40011A	EYELET;ID2.0,OD2.8,BST	S.N.A
.....5	D433	0402-000537	DIODE-RECTIFIER;RH1A,600V,0.6A,DO-204AC5	EY134	AA60-40011A	EYELET;ID2.0,OD2.8,BST	S.N.A
.....5	D434	0402-000546	DIODE-RECTIFIER;TVR10G,400V,1.0A,DO-41,T5	EY136	AA60-40011A	EYELET;ID2.0,OD2.8,BST	S.N.A
.....5	D435	0402-000132	DIODE-RECTIFIER;1N4004,400V,1A,DO-41,TP5	EY137	AA60-40011A	EYELET;ID2.0,OD2.8,BST	S.N.A
.....5	D436	0401-000005	DIODE-SWITCHING;1N4148,100V,200mA,DO-35,5	EY138	AA60-40011A	EYELET;ID2.0,OD2.8,BST	S.N.A
.....5	D440	0402-000534	DIODE-RECTIFIER;RG10V,400V,1.2A,DO-201,T5	EY139	AA60-40011A	EYELET;ID2.0,OD2.8,BST	S.N.A
.....5	D441	0402-000534	DIODE-RECTIFIER;RG10V,400V,1.2A,DO-201,T5	EY140	AA60-40011A	EYELET;ID2.0,OD2.8,BST	S.N.A
.....5	D442	0401-000005	DIODE-SWITCHING;1N4148,100V,200mA,DO-35,5	EY141	AA60-40011A	EYELET;ID2.0,OD2.8,BST	S.N.A
.....5	D443	0401-000005	DIODE-SWITCHING;1N4148,100V,200mA,DO-35,5	EY142	AA60-40011A	EYELET;ID2.0,OD2.8,BST	S.N.A
.....5	D444	0402-000546	DIODE-RECTIFIER;TVR10G,400V,1.0A,DO-41,T5	EY143	AA60-40011A	EYELET;ID2.0,OD2.8,BST	S.N.A
.....5	D445	0402-000534	DIODE-RECTIFIER;RG10V,400V,1.2A,DO-201,T5	EY144	AA60-40011A	EYELET;ID2.0,OD2.8,BST	S.N.A
.....5	D451	0402-000534	DIODE-RECTIFIER;RG10V,400V,1.2A,DO-201,T5	EY145	AA60-40011A	EYELET;ID2.0,OD2.8,BST	S.N.A
.....5	D453	0402-001286	DIODE-RECTIFIER;RP1H,2000V,1A,-,TP5	EY146	AA60-40011A	EYELET;ID2.0,OD2.8,BST	S.N.A
.....5	D472	0402-000546	DIODE-RECTIFIER;TVR10G,400V,1.0A,DO-41,T5	EY147	AA60-40011A	EYELET;ID2.0,OD2.8,BST	S.N.A
.....5	D474	0402-000546	DIODE-RECTIFIER;TVR10G,400V,1.0A,DO-41,T5	EY148	AA60-40011A	EYELET;ID2.0,OD2.8,BST	S.N.A
.....5	D477	0401-000005	DIODE-SWITCHING;1N4148,100V,200mA,DO-35,5	EY149	AA60-40011A	EYELET;ID2.0,OD2.8,BST	S.N.A
.....5	D478	0401-000005	DIODE-SWITCHING;1N4148,100V,200mA,DO-35,5	EY150	AA60-40011A	EYELET;ID2.0,OD2.8,BST	S.N.A
.....5	D479	0401-000005	DIODE-SWITCHING;1N4148,100V,200mA,DO-35,5	EY151	AA60-40011A	EYELET;ID2.0,OD2.8,BST	S.N.A
.....5	D480	0402-000132	DIODE-RECTIFIER;1N4004,400V,1A,DO-41,TP5	EY152	AA60-40011A	EYELET;ID2.0,OD2.8,BST	S.N.A
.....5	D484	0402-000132	DIODE-RECTIFIER;1N4004,400V,1A,DO-41,TP5	EY153	AA60-40011A	EYELET;ID2.0,OD2.8,BST	S.N.A
.....5	D501	0402-000132	DIODE-RECTIFIER;1N4004,400V,1A,DO-41,TP5	EY154	AA60-40011A	EYELET;ID2.0,OD2.8,BST	S.N.A
.....5	DR401S	0401-000005	DIODE-SWITCHING;1N4148,100V,200mA,DO-35,5	EY155	AA60-40011A	EYELET;ID2.0,OD2.8,BST	S.N.A
.....5	DR402S	0401-000005	DIODE-SWITCHING;1N4148,100V,200mA,DO-35,5	EY156	AA60-40011A	EYELET;ID2.0,OD2.8,BST	S.N.A
.....5	DR404S	0403-001325	DIODE-ZENER;MTZJ15C,14.35-15.09V,500mW,D5	EY157	AA60-40011A	EYELET;ID2.0,OD2.8,BST	S.N.A
.....5	DS805	0404-001056	DIODE-SCHOTTKY;RK16,60V,1.5A,DO-204AC,TP5	EY158	AA60-40011A	EYELET;ID2.0,OD2.8,BST	S.N.A
.....5	DS807	0402-000546	DIODE-RECTIFIER;TVR10G,400V,1.0A,DO-41,T5	EY159	AA60-40011A	EYELET;ID2.0,OD2.8,BST	S.N.A
.....5	DS809	0404-001056	DIODE-SCHOTTKY;RK16,60V,1.5A,DO-204AC,TP5	EY160	AA60-40011A	EYELET;ID2.0,OD2.8,BST	S.N.A
.....5	DZ301	0403-001327	DIODE-ZENER;MTZJ18A,16.22-17.06V,500mW,D5	EY161	AA60-40011A	EYELET;ID2.0,OD2.8,BST	S.N.A
.....5	DZ304	0403-001327	DIODE-ZENER;MTZJ18A,16.22-17.06V,500mW,D5	EY162	AA60-40011A	EYELET;ID2.0,OD2.8,BST	S.N.A
.....5	DZ305	0403-001329	DIODE-ZENER;MTZJ24B,22.61-23.77V,500mW,D5	EY163	AA60-40011A	EYELET;ID2.0,OD2.8,BST	S.N.A
.....5	DZ306	0403-001330	DIODE-ZENER;MTZJ30A,26.99-28.39V,500mW,D5	EY164	AA60-40011A	EYELET;ID2.0,OD2.8,BST	S.N.A
.....5	DZ307	0403-001329	DIODE-ZENER;MTZJ24B,22.61-23.77V,500mW,D5	EY165	AA60-40011A	EYELET;ID2.0,OD2.8,BST	S.N.A
.....5	DZ386	0403-001316	DIODE-ZENER;MTZJ3.0A,2.85-3.07V,500mW,DO5	EY166	AA60-40011A	EYELET;ID2.0,OD2.8,BST	S.N.A
.....5	DZ395	0403-001319	DIODE-ZENER;MTZJ4.7C,4.68-4.93V,500mW,DO5	EY167	AA60-40011A	EYELET;ID2.0,OD2.8,BST	S.N.A
.....5	DZ400	0403-001325	DIODE-ZENER;MTZJ15C,14.35-15.09V,500mW,D5	EY168	AA60-40011A	EYELET;ID2.0,OD2.8,BST	S.N.A
.....5	DZ413	0403-001319	DIODE-ZENER;MTZJ4.7C,4.68-4.93V,500mW,DO5	EY171	AA60-40011A	EYELET;ID2.0,OD2.8,BST	S.N.A
.....5	DZ473	0403-000720	DIODE-ZENER;MTZJ9.1B,9.1V,8.57-9.01V,5005	EY172	AA60-40011A	EYELET;ID2.0,OD2.8,BST	S.N.A
.....5	DZ474	0403-000734	DIODE-ZENER;TZP15B,15V,14.7-16.5V,1W,DO-5	EY173	AA60-40011A	EYELET;ID2.0,OD2.8,BST	S.N.A
.....5	DZ481	0403-001327	DIODE-ZENER;MTZJ18A,16.22-17.06V,500mW,D5	EY174	AA60-40011A	EYELET;ID2.0,OD2.8,BST	S.N.A
.....5	DZ482S	0403-000720	DIODE-ZENER;MTZJ9.1B,9.1V,8.57-9.01V,5005	EY175	AA60-40011A	EYELET;ID2.0,OD2.8,BST	S.N.A
.....5	DZ483	0403-000720	DIODE-ZENER;MTZJ9.1B,9.1V,8.57-9.01V,5005	EY176	AA60-40011A	EYELET;ID2.0,OD2.8,BST	S.N.A

Loc. No.	Code No.	Description ; Specification	Remark	Loc. No.	Code No.	Description ; Specification	Remark
.....5	EY177	AA60-40011A EYELET;ID2.0,OD2.8,BST	S.N.A5	GT10	AA60-40014A PIN-GT,ASSY,AUTO	S.N.A
.....5	EY178	AA60-40011A EYELET;ID2.0,OD2.8,BST	S.N.A5	GT11	AA60-40014A PIN-GT,ASSY,AUTO	S.N.A
.....5	EY179	AA60-40011A EYELET;ID2.0,OD2.8,BST	S.N.A5	GT12	AA60-40014A PIN-GT,ASSY,AUTO	S.N.A
.....5	EY180	AA60-40011A EYELET;ID2.0,OD2.8,BST	S.N.A5	GT16	AA60-40014A PIN-GT,ASSY,AUTO	S.N.A
.....5	EY181	AA60-40011A EYELET;ID2.0,OD2.8,BST	S.N.A5	GT17	AA60-40014A PIN-GT,ASSY,AUTO	S.N.A
.....5	EY182	AA60-40011A EYELET;ID2.0,OD2.8,BST	S.N.A5	GT18	AA60-40014A PIN-GT,ASSY,AUTO	S.N.A
.....5	EY183	AA60-40011A EYELET;ID2.0,OD2.8,BST	S.N.A5	GT19	AA60-40014A PIN-GT,ASSY,AUTO	S.N.A
.....5	EY184	AA60-40011A EYELET;ID2.0,OD2.8,BST	S.N.A5	GT21	AA60-40014A PIN-GT,ASSY,AUTO	S.N.A
.....5	EY185	AA60-40011A EYELET;ID2.0,OD2.8,BST	S.N.A5	GT22	AA60-40014A PIN-GT,ASSY,AUTO	S.N.A
.....5	EY186	AA60-40011A EYELET;ID2.0,OD2.8,BST	S.N.A5	GT23	AA60-40014A PIN-GT,ASSY,AUTO	S.N.A
.....5	EY187	AA60-40011A EYELET;ID2.0,OD2.8,BST	S.N.A5	GT24	AA60-40014A PIN-GT,ASSY,AUTO	S.N.A
.....5	EY188	AA60-40011A EYELET;ID2.0,OD2.8,BST	S.N.A5	GT25	AA60-40014A PIN-GT,ASSY,AUTO	S.N.A
.....5	EY189	AA60-40011A EYELET;ID2.0,OD2.8,BST	S.N.A5	GT26	AA60-40014A PIN-GT,ASSY,AUTO	S.N.A
.....5	EY190	AA60-40011A EYELET;ID2.0,OD2.8,BST	S.N.A5	GT27	AA60-40014A PIN-GT,ASSY,AUTO	S.N.A
.....5	EY191	AA60-40011A EYELET;ID2.0,OD2.8,BST	S.N.A5	GT28	AA60-40014A PIN-GT,ASSY,AUTO	S.N.A
.....5	EY192	AA60-40011A EYELET;ID2.0,OD2.8,BST	S.N.A5	GT29	AA60-40014A PIN-GT,ASSY,AUTO	S.N.A
.....5	EY193	AA60-40011A EYELET;ID2.0,OD2.8,BST	S.N.A5	GT30	AA60-40014A PIN-GT,ASSY,AUTO	S.N.A
.....5	EY194	AA60-40011A EYELET;ID2.0,OD2.8,BST	S.N.A5	GT31	AA60-40014A PIN-GT,ASSY,AUTO	S.N.A
.....5	EY195	AA60-40011A EYELET;ID2.0,OD2.8,BST	S.N.A5	GT32	AA60-40014A PIN-GT,ASSY,AUTO	S.N.A
.....5	EY196	AA60-40011A EYELET;ID2.0,OD2.8,BST	S.N.A5	GT33	AA60-40014A PIN-GT,ASSY,AUTO	S.N.A
.....5	EY197	AA60-40011A EYELET;ID2.0,OD2.8,BST	S.N.A5	GT34	AA60-40014A PIN-GT,ASSY,AUTO	S.N.A
.....5	EY198	AA60-40011A EYELET;ID2.0,OD2.8,BST	S.N.A5	GT35	AA60-40014A PIN-GT,ASSY,AUTO	S.N.A
.....5	EY199	AA60-40011A EYELET;ID2.0,OD2.8,BST	S.N.A5	GT37	AA60-40014A PIN-GT,ASSY,AUTO	S.N.A
.....5	EY200	AA60-40011A EYELET;ID2.0,OD2.8,BST	S.N.A5	GT403	AA60-40014A PIN-GT,ASSY,AUTO	S.N.A
.....5	EY201	AA60-40011A EYELET;ID2.0,OD2.8,BST	S.N.A5	GT404	AA60-40014A PIN-GT,ASSY,AUTO	S.N.A
.....5	EY202	AA60-40011A EYELET;ID2.0,OD2.8,BST	S.N.A5	GT405	AA60-40014A PIN-GT,ASSY,AUTO	S.N.A
.....5	EY203	AA60-40011A EYELET;ID2.0,OD2.8,BST	S.N.A5	GT812A	AA60-40014A PIN-GT,ASSY,AUTO	S.N.A
.....5	EY204	AA60-40011A EYELET;ID2.0,OD2.8,BST	S.N.A5	GT813A	AA60-40014A PIN-GT,ASSY,AUTO	S.N.A
.....5	EY205	AA60-40011A EYELET;ID2.0,OD2.8,BST	S.N.A5	GT814A	AA60-40014A PIN-GT,ASSY,AUTO	S.N.A
.....5	EY206	AA60-40011A EYELET;ID2.0,OD2.8,BST	S.N.A	△	ICR01S	1203-001217 IC-POSI.ADJUST REG.;431,TO-92,3P,4.58MIL	
.....5	EY207	AA60-40011A EYELET;ID2.0,OD2.8,BST	S.N.A5	L341	2701-000116 INDUCTOR-AXIAL;10uH,10%,4.2x9.8mm	
.....5	EY208	AA60-40011A EYELET;ID2.0,OD2.8,BST	S.N.A5	L480	2901-000297 FILTER-EMI ON BOARD;-3A,-,-3.5x5,TP,-	
.....5	EY209	AA60-40011A EYELET;ID2.0,OD2.8,BST	S.N.A5	L481	3301-000287 CORE-FERRITE BEAD;AA,3.5x1.0x6.0mm,1500,	
.....5	EY210	AA60-40011A EYELET;ID2.0,OD2.8,BST	S.N.A5	L482	3301-000374 CORE-FERRITE BEAD;AA,3.5x1.0x9.0mm,-,-	
.....5	EY211	AA60-40011A EYELET;ID2.0,OD2.8,BST	S.N.A5	L483	2901-000299 FILTER-EMI ON BOARD;-6A,UL/CSA,-,9x7.5,	
.....5	EY212	AA60-40011A EYELET;ID2.0,OD2.8,BST	S.N.A5	L493	3301-000287 CORE-FERRITE BEAD;AA,3.5x1.0x6.0mm,1500,	
.....5	EY213	AA60-40011A EYELET;ID2.0,OD2.8,BST	S.N.A5	L494	3301-000374 CORE-FERRITE BEAD;AA,3.5x1.0x9.0mm,-,-	
.....5	EY214	AA60-40011A EYELET;ID2.0,OD2.8,BST	S.N.A5	L495	3301-000287 CORE-FERRITE BEAD;AA,3.5x1.0x6.0mm,1500,	
.....5	EY215	AA60-40011A EYELET;ID2.0,OD2.8,BST	S.N.A5	L499	2901-000297 FILTER-EMI ON BOARD;-3A,-,-3.5x5,TP,-	
.....5	EY216	AA60-40011A EYELET;ID2.0,OD2.8,BST	S.N.A5	LS801	2901-000297 FILTER-EMI ON BOARD;-3A,-,-3.5x5,TP,-	
.....5	EY217	AA60-40011A EYELET;ID2.0,OD2.8,BST	S.N.A5	LS802	2901-000297 FILTER-EMI ON BOARD;-3A,-,-3.5x5,TP,-	
.....5	EY218	AA60-40011A EYELET;ID2.0,OD2.8,BST	S.N.A5	LZ107	2701-000142 INDUCTOR-AXIAL;1uH,10%,2.5x3.4mm	
.....5	EY219	AA60-40011A EYELET;ID2.0,OD2.8,BST	S.N.A5	LZ108	2701-000142 INDUCTOR-AXIAL;1uH,10%,2.5x3.4mm	
.....5	EY220	AA60-40011A EYELET;ID2.0,OD2.8,BST	S.N.A5	LZ109	2701-000142 INDUCTOR-AXIAL;1uH,10%,2.5x3.4mm	
.....5	EY221	AA60-40011A EYELET;ID2.0,OD2.8,BST	S.N.A5	LZ110	2701-000142 INDUCTOR-AXIAL;1uH,10%,2.5x3.4mm	
.....5	EY222	AA60-40011A EYELET;ID2.0,OD2.8,BST	S.N.A5	LZ111	2701-000142 INDUCTOR-AXIAL;1uH,10%,2.5x3.4mm	
.....5	EY223	AA60-40011A EYELET;ID2.0,OD2.8,BST	S.N.A5	LZ112	2701-000142 INDUCTOR-AXIAL;1uH,10%,2.5x3.4mm	
.....5	EY224	AA60-40011A EYELET;ID2.0,OD2.8,BST	S.N.A5	PCB	AA41-00340C PCB-SUB;PCL545R,CEM-1,1L,C,1.6T,330X245,	S.N.A
.....5	EY225	AA60-40011A EYELET;ID2.0,OD2.8,BST	S.N.A5	Q301	0501-000389 TR-SMALL SIGNAL;KSC815,NPN,400mW,TO-92,T	
.....5	EY226	AA60-40011A EYELET;ID2.0,OD2.8,BST	S.N.A5	Q350	0501-000389 TR-SMALL SIGNAL;KSC815,NPN,400mW,TO-92,T	
.....5	EY227	AA60-40011A EYELET;ID2.0,OD2.8,BST	S.N.A5	Q351	0501-000389 TR-SMALL SIGNAL;KSC815,NPN,400mW,TO-92,T	
.....5	EY228	AA60-40011A EYELET;ID2.0,OD2.8,BST	S.N.A5	Q352	0501-000366 TR-SMALL SIGNAL;KSC2330-Y,NPN,1W,TO-92L,	
.....5	EY229	AA60-40011A EYELET;ID2.0,OD2.8,BST	S.N.A5	Q381	0501-000389 TR-SMALL SIGNAL;KSC815,NPN,400mW,TO-92,T	
.....5	EY230	AA60-40011A EYELET;ID2.0,OD2.8,BST	S.N.A5	Q382	0501-000389 TR-SMALL SIGNAL;KSC815,NPN,400mW,TO-92,T	
.....5	EY231	AA60-40011A EYELET;ID2.0,OD2.8,BST	S.N.A5	Q401	0501-000389 TR-SMALL SIGNAL;KSC815,NPN,400mW,TO-92,T	
.....5	EY232	AA60-40011A EYELET;ID2.0,OD2.8,BST	S.N.A5	Q402	0501-000389 TR-SMALL SIGNAL;KSC815,NPN,400mW,TO-92,T	
.....5	EY233	AA60-40011A EYELET;ID2.0,OD2.8,BST	S.N.A5	Q421	0501-000389 TR-SMALL SIGNAL;KSC815,NPN,400mW,TO-92,T	
.....5	EYS01	AA60-40011A EYELET;ID2.0,OD2.8,BST	S.N.A5	Q422	0505-000156 FET-SILICON;IRF620,N,200V,5A,0.8ohm,50W,	
.....5	EYS02	AA60-40011A EYELET;ID2.0,OD2.8,BST	S.N.A5	Q432	0501-000283 TR-SMALL SIGNAL;KSA539,PNP,400mW,TO-92,T	
.....5	EYS03	AA60-40011A EYELET;ID2.0,OD2.8,BST	S.N.A5	Q435	0501-000369 TR-SMALL SIGNAL;KSC2331-Y,NPN,1000mW,TO-	
.....5	EYS04	AA60-40011A EYELET;ID2.0,OD2.8,BST	S.N.A5	Q436	0501-000389 TR-SMALL SIGNAL;KSC815,NPN,400mW,TO-92,T	
.....5	EYS05	AA60-40011A EYELET;ID2.0,OD2.8,BST	S.N.A5	Q451	0501-000389 TR-SMALL SIGNAL;KSC815,NPN,400mW,TO-92,T	
.....5	EYS06	AA60-40011A EYELET;ID2.0,OD2.8,BST	S.N.A5	Q461	0501-000389 TR-SMALL SIGNAL;KSC815,NPN,400mW,TO-92,T	
.....5	EYS07	AA60-40011A EYELET;ID2.0,OD2.8,BST	S.N.A5	Q471	0501-000389 TR-SMALL SIGNAL;KSC815,NPN,400mW,TO-92,T	
.....5	EYS08	AA60-40011A EYELET;ID2.0,OD2.8,BST	S.N.A5	Q472	0505-000156 FET-SILICON;IRF620,N,200V,5A,0.8ohm,50W,	
.....5	EYS09	AA60-40011A EYELET;ID2.0,OD2.8,BST	S.N.A5	Q474	0501-000389 TR-SMALL SIGNAL;KSC815,NPN,400mW,TO-92,T	
△	FD101S	3601-001065 FUSE-AXIAL LEAD;125V,3.5A,FAST-ACTING,CE	5	Q481	0501-000389 TR-SMALL SIGNAL;KSC815,NPN,400mW,TO-92,T	
△	FD102S	3601-001065 FUSE-AXIAL LEAD;125V,3.5A,FAST-ACTING,CE	5	Q482	0501-000283 TR-SMALL SIGNAL;KSA539,PNP,400mW,TO-92,T	
.....5	GT01	AA60-40014A PIN-GT,ASSY,AUTO	S.N.A	△	QR401S	0501-000283 TR-SMALL SIGNAL;KSA539,PNP,400mW,TO-92,T	
.....5	GT02	AA60-40014A PIN-GT,ASSY,AUTO	S.N.A5	QS801	0501-000369 TR-SMALL SIGNAL;KSC2331-Y,NPN,1000mW,TO-	
.....5	GT03	AA60-40014A PIN-GT,ASSY,AUTO	S.N.A5	R301	2004-001897 R-METAL(S);43.2Kohm,1%,1/2W,AA,TP,2.5x6.	
.....5	GT04	AA60-40014A PIN-GT,ASSY,AUTO	S.N.A5	R302	2004-001897 R-METAL(S);43.2Kohm,1%,1/2W,AA,TP,2.5x6.	
.....5	GT05	AA60-40014A PIN-GT,ASSY,AUTO	S.N.A5	R303	2004-001984 R-METAL(S);26.7Kohm,1%,1/2W,AA,TP,2.4x6.	
.....5	GT06	AA60-40014A PIN-GT,ASSY,AUTO	S.N.A5	R305	2004-001984 R-METAL(S);26.7Kohm,1%,1/2W,AA,TP,2.4x6.	
.....5	GT07	AA60-40014A PIN-GT,ASSY,AUTO	S.N.A5	R306	2003-002129 R-METAL OXIDE(S);3.9ohm,5%,2W,AF,TP,3.9x	
.....5	GT08	AA60-40014A PIN-GT,ASSY,AUTO	S.N.A5	R307	2003-002129 R-METAL OXIDE(S);3.9ohm,5%,2W,AF,TP,3.9x	
.....5	GT09	AA60-40014A PIN-GT,ASSY,AUTO	S.N.A5	R308	2001-000016 R-CARBON(S);10HM,5%,1/2W,AA,TP,2.4X6.4MM	

Loc. No.	Code No.	Description ; Specification	Remark	Loc. No.	Code No.	Description ; Specification	Remark
.....6	C701	2401-000027	C-AL;4.7uF,20%,50V,GPT,5x11,56	L100	2701-000159	INDUCTOR-AXIAL;22uH,10%,4.2x9.8mm
.....6	C801	2401-002300	C-AL;47uF,20%,50V,GPT,6.3x11,56	L101	2701-000115	INDUCTOR-AXIAL;10uH,10%,3x7mm
.....6	C901	2401-002235	C-AL;10uF,20%,16V,GPT,5x11mm,5mm6	L102	2701-000159	INDUCTOR-AXIAL;22uH,10%,4.2x9.8mm
.....6	C902	2201-000119	C-CERAMIC,DISC;100nF,+80-20%,50V,Y5V,TP,6	L103	2701-000115	INDUCTOR-AXIAL;10uH,10%,3x7mm
.....6	C903	2201-000119	C-CERAMIC,DISC;100nF,+80-20%,50V,Y5V,TP,6	L104	2701-000115	INDUCTOR-AXIAL;10uH,10%,3x7mm
.....6	CN101	3711-002642	CONNECTOR-HEADER;BOX,3P,1R,2.5mm,STRAIGH6	L105	2701-000115	INDUCTOR-AXIAL;10uH,10%,3x7mm
.....6	CN601	3711-002643	CONNECTOR-HEADER;BOX,4P,1R,2.5mm,STRAIGH6	L107	2701-000115	INDUCTOR-AXIAL;10uH,10%,3x7mm
.....6	CN602	3711-002644	CONNECTOR-HEADER;BOX,5P,1R,2.5mm,STRAIGH6	L108	2701-001007	INDUCTOR-AXIAL;24uH,10%,4.5x14mm
.....6	CN902	3711-002642	CONNECTOR-HEADER;BOX,3P,1R,2.5mm,STRAIGH6	L110	2701-000116	INDUCTOR-AXIAL;10uH,10%,4.2x9.8mm
.....6	CNY01	3711-002645	CONNECTOR-HEADER;BOX,6P,1R,2.5mm,STRAIGH6	L111	3301-000287	CORE-FERRITE BEAD;AA,3.5x1.0x6.0mm,1500,
.....6	CZ101	2401-000832	C-AL;220uF,20%,25V,GPT,8x11.5,56	L112	3301-000287	CORE-FERRITE BEAD;AA,3.5x1.0x6.0mm,1500,
.....6	CZ102	2401-001840	C-AL;100uF,20%,16V,GPT,6.3x11,56	L113	2901-000297	FILTER-EMI ON BOARD;-3A,-,-,3.5x5,TP-
.....6	CZ103	2401-000689	C-AL;220uF,20%,16V,GPT,13x25,56	L603	3301-000287	CORE-FERRITE BEAD;AA,3.5x1.0x6.0mm,1500,
.....6	CZ105	2201-000119	C-CERAMIC,DISC;100nF,+80-20%,50V,Y5V,TP,6	L604	3301-000287	CORE-FERRITE BEAD;AA,3.5x1.0x6.0mm,1500,
.....6	CZ106	2201-000119	C-CERAMIC,DISC;100nF,+80-20%,50V,Y5V,TP,6	L605	3301-000287	CORE-FERRITE BEAD;AA,3.5x1.0x6.0mm,1500,
.....6	CZ107	2201-000119	C-CERAMIC,DISC;100nF,+80-20%,50V,Y5V,TP,6	L901	2701-000115	INDUCTOR-AXIAL;10uH,10%,3x7mm
.....6	CZ109	2202-000632	C-CERAMIC,MLC-AXIAL;100nF,20%,50V,Z5U,TP6	LDZ101	0403-000510	DIODE-ZENER;MTZJ6.2B,6.2V,5.96-6.27V,500
.....6	CZ110	2202-000632	C-CERAMIC,MLC-AXIAL;100nF,20%,50V,Z5U,TP6	LDZ102	0403-000510	DIODE-ZENER;MTZJ6.2B,6.2V,5.96-6.27V,500
.....6	D603	0401-000005	DIODE-SWITCHING;1N4148,100V,200mA,DO-35,6	LZ101	2701-000142	INDUCTOR-AXIAL;1uH,10%,2.5x3.4mm
.....6	D604	0401-000005	DIODE-SWITCHING;1N4148,100V,200mA,DO-35,6	LZ102	2701-000142	INDUCTOR-AXIAL;1uH,10%,2.5x3.4mm
.....6	D605	0401-000005	DIODE-SWITCHING;1N4148,100V,200mA,DO-35,6	LZ103	2701-001030	INDUCTOR-AXIAL;43uH,10%,5x14mm
.....6	D606	0401-000005	DIODE-SWITCHING;1N4148,100V,200mA,DO-35,6	LZ104	2701-001030	INDUCTOR-AXIAL;43uH,10%,5x14mm
.....6	D664	0402-000546	DIODE-RECTIFIER;TVR10G,400V,1.0A,DO-41,T6	PCB	AA41-00332D	PCB-MAIN;PCL545R,FR-1.1L,D,1.6T,330X245,
.....6	D665	0401-000005	DIODE-SWITCHING;1N4148,100V,200mA,DO-35,6	Q601	0501-000389	TR-SMALL SIGNAL;KSC815,NPN,400mW,TO-92,T
.....6	D701	0401-000005	DIODE-SWITCHING;1N4148,100V,200mA,DO-35,6	Q666	0501-000389	TR-SMALL SIGNAL;KSC815,NPN,400mW,TO-92,T
.....6	D702	0401-000005	DIODE-SWITCHING;1N4148,100V,200mA,DO-35,6	Q668	0501-000389	TR-SMALL SIGNAL;KSC815,NPN,400mW,TO-92,T
.....6	D703	0401-000005	DIODE-SWITCHING;1N4148,100V,200mA,DO-35,6	Q701	0501-000389	TR-SMALL SIGNAL;KSC815,NPN,400mW,TO-92,T
.....6	DZ665	0403-001039	DIODE-ZENER;MA2560,56V,52-60V,1W,DO-41,T6	Q702	0501-000389	TR-SMALL SIGNAL;KSC815,NPN,400mW,TO-92,T
.....6	DZ701	0403-001140	DIODE-ZENER;RD10ESAB-T4,10V,9.19-10.30V,6	R102	2001-000281	R-CARBON;100OHM,5%,1/8W,AA,TP,1.8X3.2MM
.....6	DZ801	0403-000700	DIODE-ZENER;TZP33A,33V,31-35V,1W,DO-41,T6	R103	2001-000281	R-CARBON;1000OHM,5%,1/8W,AA,TP,1.8X3.2MM
.....6	EL01	AA60-40011B	EYELET;ID2.2,OD3.2,BSP	S.N.A	R104	2001-000066	R-CARBON(S);10KOHM,5%,1/2W,AA,TP,2.4X6.4
.....6	EL02	AA60-40011B	EYELET;ID2.2,OD3.2,BSP	S.N.A	R105	2001-000281	R-CARBON;1000OHM,5%,1/8W,AA,TP,1.8X3.2MM
.....6	EL03	AA60-40011B	EYELET;ID2.2,OD3.2,BSP	S.N.A	R106	2001-000281	R-CARBON;1000OHM,5%,1/8W,AA,TP,1.8X3.2MM
.....6	EL05	AA60-40011B	EYELET;ID2.2,OD3.2,BSP	S.N.A	R107	2001-000739	R-CARBON;4.7MOHM,5%,1/8W,AA,TP,1.8X3.2MM
.....6	EL06	AA60-40011B	EYELET;ID2.2,OD3.2,BSP	S.N.A	R110	2001-000739	R-CARBON;4.7MOHM,5%,1/8W,AA,TP,1.8X3.2MM
.....6	EL07	AA60-40011B	EYELET;ID2.2,OD3.2,BSP	S.N.A	R111	2001-000037	R-CARBON(S);330OHM,5%,1/2W,AA,TP,2.4X6.4
.....6	EL08	AA60-40011B	EYELET;ID2.2,OD3.2,BSP	S.N.A	R112	2001-000739	R-CARBON;4.7MOHM,5%,1/8W,AA,TP,1.8X3.2MM
.....6	EL09	AA60-40011B	EYELET;ID2.2,OD3.2,BSP	S.N.A	R113	2001-000739	R-CARBON;4.7MOHM,5%,1/8W,AA,TP,1.8X3.2MM
.....6	EL10	AA60-40011B	EYELET;ID2.2,OD3.2,BSP	S.N.A	R115	2001-000869	R-CARBON;560OHM,5%,1/8W,AA,TP,1.8X3.2MM
.....6	EL11	AA60-40011B	EYELET;ID2.2,OD3.2,BSP	S.N.A	R117	2001-000938	R-CARBON;680OHM,5%,1/8W,AA,TP,1.8X3.2MM
.....6	EL12	AA60-40011B	EYELET;ID2.2,OD3.2,BSP	S.N.A	R602	2001-000429	R-CARBON;1KOHM,5%,1/8W,AA,TP,1.8X3.2MM
.....6	EL13	AA60-40011B	EYELET;ID2.2,OD3.2,BSP	S.N.A	R603	2001-001097	R-CARBON(S);2.4KOHM,5%,1/2W,AA,TP,2.4X6.
.....6	EL14	AA60-40011B	EYELET;ID2.2,OD3.2,BSP	S.N.A	R604	2001-001168	R-CARBON(S);6.8KOHM,5%,1/2W,AA,TP,2.4X6.
.....6	EL15	AA60-40011B	EYELET;ID2.2,OD3.2,BSP	S.N.A	R605	2001-001106	R-CARBON(S);220KOHM,5%,1/2W,AA,TP,2.4X6.
.....6	EL16	AA60-40011B	EYELET;ID2.2,OD3.2,BSP	S.N.A	R661	2004-001970	R-METAL(S);1.8Kohm,1%,1/2W,AA,TP,6.5x2.5
.....6	EL17	AA60-40011B	EYELET;ID2.2,OD3.2,BSP	S.N.A	R662	2004-001970	R-METAL(S);1.8Kohm,1%,1/2W,AA,TP,6.5x2.5
.....6	EL18	AA60-40011B	EYELET;ID2.2,OD3.2,BSP	S.N.A	R663	2001-000660	R-CARBON;33KOHM,5%,1/8W,AA,TP,1.8X3.2MM
.....6	EL19	AA60-40011B	EYELET;ID2.2,OD3.2,BSP	S.N.A	R664	2004-001970	R-METAL(S);1.8Kohm,1%,1/2W,AA,TP,6.5x2.5
.....6	EL20	AA60-40011B	EYELET;ID2.2,OD3.2,BSP	S.N.A	R665	2001-000066	R-CARBON(S);10KOHM,5%,1/2W,AA,TP,2.4X6.4
.....6	EL21	AA60-40011B	EYELET;ID2.2,OD3.2,BSP	S.N.A	R666	2001-000066	R-CARBON(S);10KOHM,5%,1/2W,AA,TP,2.4X6.4
.....6	EL22	AA60-40011B	EYELET;ID2.2,OD3.2,BSP	S.N.A	R669	2001-001121	R-CARBON(S);3.6KOHM,5%,1/2W,AA,TP,2.4X6.
.....6	EL23	AA60-40011B	EYELET;ID2.2,OD3.2,BSP	S.N.A	R670	2001-000085	R-CARBON(S);100KOHM,5%,1/2W,AA,TP,2.4X6.
.....6	EL24	AA60-40011B	EYELET;ID2.2,OD3.2,BSP	S.N.A	R671	2001-000066	R-CARBON(S);10KOHM,5%,1/2W,AA,TP,2.4X6.4
.....6	EL25	AA60-40011B	EYELET;ID2.2,OD3.2,BSP	S.N.A	R672	2001-000066	R-CARBON(S);10KOHM,5%,1/2W,AA,TP,2.4X6.4
.....6	EL26	AA60-40011B	EYELET;ID2.2,OD3.2,BSP	S.N.A	R673	2001-001086	R-CARBON(S);18KOHM,5%,1/2W,AA,TP,2.4X6.4
.....6	EL27	AA60-40011A	EYELET;ID2.2,OD3.2,BSP	S.N.A	R673A	2001-001142	R-CARBON(S);3KOHM,5%,1/2W,AA,TP,2.4X6.4MM
.....6	EL28	AA60-40011B	EYELET;ID2.2,OD3.2,BSP	S.N.A	R681	2004-001970	R-METAL(S);1.8Kohm,1%,1/2W,AA,TP,6.5x2.5
.....6	EL29	AA60-40011B	EYELET;ID2.2,OD3.2,BSP	S.N.A	R682	2004-002019	R-METAL(S);33Kohm,1%,1/2W,AA,TP,2.5x6.5mm
.....6	EL30	AA60-40011B	EYELET;ID2.2,OD3.2,BSP	S.N.A	R683	2004-002019	R-METAL(S);33Kohm,1%,1/2W,AA,TP,2.5x6.5mm
.....6	EL31	AA60-40011B	EYELET;ID2.2,OD3.2,BSP	S.N.A	R685	2004-001390	R-METAL(S);1Kohm,2%,1/2W,AA,TP,2.4x6.4mm
.....6	EL32	AA60-40011B	EYELET;ID2.2,OD3.2,BSP	S.N.A	R686	2004-001390	R-METAL(S);1Kohm,2%,1/2W,AA,TP,2.4x6.4mm
.....6	EY01	AA60-40011A	EYELET;ID2.0,OD2.8,BST	S.N.A	R687	2001-001146	R-CARBON(S);4.7OHM,5%,1/2W,AA,TP,2.4X6.4
.....6	EY02	AA60-40011A	EYELET;ID2.0,OD2.8,BST	S.N.A	R689	2001-001146	R-CARBON(S);4.7OHM,5%,1/2W,AA,TP,2.4X6.4
.....6	EY03	AA60-40011A	EYELET;ID2.0,OD2.8,BST	S.N.A	R690	2001-001144	R-CARBON(S);4.7KOHM,5%,1/2W,AA,TP,2.4X6.
.....6	EY04	AA60-40011A	EYELET;ID2.0,OD2.8,BST	S.N.A	R691	2001-001144	R-CARBON(S);4.7KOHM,5%,1/2W,AA,TP,2.4X6.
.....6	EY05	AA60-40011A	EYELET;ID2.0,OD2.8,BST	S.N.A	R701	2001-000786	R-CARBON;47KOHM,5%,1/8W,AA,TP,1.8X3.2MM
.....6	EY06	AA60-40011A	EYELET;ID2.0,OD2.8,BST	S.N.A	R702	2001-000290	R-CARBON;10KOHM,5%,1/8W,AA,TP,1.8X3.2MM
.....6	EY07	AA60-40011A	EYELET;ID2.0,OD2.8,BST	S.N.A	R703	2001-000290	R-CARBON;10KOHM,5%,1/8W,AA,TP,1.8X3.2MM
.....6	EY08	AA60-40011A	EYELET;ID2.0,OD2.8,BST	S.N.A	R704	2001-000290	R-CARBON;10KOHM,5%,1/8W,AA,TP,1.8X3.2MM
.....6	EY09	AA60-40011A	EYELET;ID2.0,OD2.8,BST	S.N.A	R888	2003-001098	R-METAL OXIDE(S);22Kohm,5%,3W,AA,TP,6x16
.....6	EY10	AA60-40011A	EYELET;ID2.0,OD2.8,BST	S.N.A	RF101	2008-001116	R-FUSIBLE(S);0.68ohm,10%,2W,AG,TP,3.9x12
.....6	EY11	AA60-40011A	EYELET;ID2.0,OD2.8,BST	S.N.A	RF104	2008-000266	R-FUSIBLE(S);1ohm,5%,2W,AF,TP,3.9x10mm
.....6	EY12	AA60-40011A	EYELET;ID2.0,OD2.8,BST	S.N.A	RF121	2008-000253	R-FUSIBLE(S);0.47ohm,5%,1W,AF,TP,3.9x10mm
.....6	EY13	AA60-40011A	EYELET;ID2.0,OD2.8,BST	S.N.A	RZ01	2001-000037	R-CARBON(S);330OHM,5%,1/2W,AA,TP,2.4X6.4
.....6	EY14	AA60-40011A	EYELET;ID2.0,OD2.8,BST	S.N.A	RZ02	2001-000739	R-CARBON;4.7MOHM,5%,1/8W,AA,TP,1.8X3.2MM
.....6	GTM02	AA60-40014A	PIN-GT,ASSY,AUTO	S.N.A	RZ101	2001-000429	R-CARBON;1KOHM,5%,1/8W,AA,TP,1.8X3.2MM
.....6	GTM04	AA60-40014A	PIN-GT,ASSY,AUTO	S.N.A	RZ102	2001-000429	R-CARBON;1KOHM,5%,1/8W,AA,TP,1.8X3.2MM

Loc. No.	Code No.	Description ; Specification	Remark
.....7CD89	2203-000626	C-CERAMIC,CHIP;0.022nF,5%,50V,NPO,TP,160	
.....7CD90	2203-000181	C-CERAMIC,CHIP;100nF,+80-20%,25V,Y5V,TP	
.....7CD91	2203-000181	C-CERAMIC,CHIP;100nF,+80-20%,25V,Y5V,TP	
.....7DD01	0403-001016	DIODE-ZENER;RLZ6.2B,6.2V,5.96-6.27V,400m	
.....7DD02	0403-001016	DIODE-ZENER;RLZ6.2B,6.2V,5.96-6.27V,400m	
.....7DD03	0401-000133	DIODE-SWITCHING;RLS4148,100V,200mA,SOD-8	
.....7FD00	2909-001051	FILTER-LC;6MHz,6MHz,0.8dB,TP,5dB/6MHz,30	
.....7FD01	2909-001051	FILTER-LC;6MHz,6MHz,0.8dB,TP,5dB/6MHz,30	
.....7FD02	2909-001052	FILTER-LC;3.58MHz,3MHz,1.5dB,TP,11dB/1.0	
.....7FD03	2909-001051	FILTER-LC;6MHz,6MHz,0.8dB,TP,5dB/6MHz,30	
.....7IC01	1204-001556	IC-SEPARATOR;UPD64082GF,QFP,100P,-,PLAST	
.....7IC02	1105-001334	IC-DRAM;4E151612,1Mx16Bit,TSOP,44P,400MI	
.....7IC04	1203-001419	IC-VOLTAGE REGULATOR;4931,TO-252,3P,6.6x	
.....7JD01	2007-000070	R-CHIP;0ohm,5%,1/16W,DA,TP,1608	
.....7JD04	2007-000070	R-CHIP;0ohm,5%,1/16W,DA,TP,1608	
.....7LD09	2703-000271	INDUCTOR-SMD;4.7uH,10%,2x1.25x1.25mm	
.....7LD10	3301-001186	CORE-FERRITE BEAD;AB,600ohm,3.2x1.6x1.3mm	
.....7PCB	AA41-00128E	PCB-3D COMB FILTER;CT-29A7DR,FR-4,2L,E,1	S.N.A
.....7QD10	0501-000344	TR-SMALL SIGNAL;KSC1623-G,NPN,200mW,SOT-	
.....7QD11	0501-000280	TR-SMALL SIGNAL;KSA1182,PNP,150mW,SOT-23	
.....7QD12	0501-000280	TR-SMALL SIGNAL;KSA1182,PNP,150mW,SOT-23	
.....7QD13	0501-000344	TR-SMALL SIGNAL;KSC1623-G,NPN,200mW,SOT-	
.....7QD14	0501-000280	TR-SMALL SIGNAL;KSA1182,PNP,150mW,SOT-23	
.....7QD15	0501-000280	TR-SMALL SIGNAL;KSA1182,PNP,150mW,SOT-23	
.....7QD16	0501-000280	TR-SMALL SIGNAL;KSA1182,PNP,150mW,SOT-23	
.....7QD17	0501-000344	TR-SMALL SIGNAL;KSC1623-G,NPN,200mW,SOT-	
.....7QD18	0501-000280	TR-SMALL SIGNAL;KSA1182,PNP,150mW,SOT-23	
.....7QD19	0501-000344	TR-SMALL SIGNAL;KSC1623-G,NPN,200mW,SOT-	
.....7QD20	0501-000280	TR-SMALL SIGNAL;KSA1182,PNP,150mW,SOT-23	
.....7QD21	0501-000344	TR-SMALL SIGNAL;KSC1623-G,NPN,200mW,SOT-	
.....7QD22	0501-000280	TR-SMALL SIGNAL;KSA1182,PNP,150mW,SOT-23	
.....7QD23	0501-000344	TR-SMALL SIGNAL;KSC1623-G,NPN,200mW,SOT-	
.....7QD24	0501-000344	TR-SMALL SIGNAL;KSC1623-G,NPN,200mW,SOT-	
.....7QD25	0501-000280	TR-SMALL SIGNAL;KSA1182,PNP,150mW,SOT-23	
.....7QD26	0501-000344	TR-SMALL SIGNAL;KSC1623-G,NPN,200mW,SOT-	
.....7QD27	0501-000344	TR-SMALL SIGNAL;KSC1623-G,NPN,200mW,SOT-	
.....7QD28	0501-000280	TR-SMALL SIGNAL;KSA1182,PNP,150mW,SOT-23	
.....7QD40	0501-000344	TR-SMALL SIGNAL;KSC1623-G,NPN,200mW,SOT-	
.....7RD00	2007-000074	R-CHIP;100ohm,5%,1/16W,DA,TP,1608	
.....7RD01	2007-000074	R-CHIP;100ohm,5%,1/16W,DA,TP,1608	
.....7RD02	2007-000119	R-CHIP;560ohm,5%,1/16W,DA,TP,1608	
.....7RD03	2007-000074	R-CHIP;100ohm,5%,1/16W,DA,TP,1608	
.....7RD04	2007-000094	R-CHIP;22Kohm,5%,1/16W,DA,TP,1608	
.....7RD05	2007-000088	R-CHIP;7.5Kohm,5%,1/16W,DA,TP,1608	
.....7RD06	2007-000078	R-CHIP;1Kohm,5%,1/16W,DA,TP,1608	
.....7RD07	2007-000078	R-CHIP;1Kohm,5%,1/16W,DA,TP,1608	
.....7RD08	2007-000119	R-CHIP;560ohm,5%,1/16W,DA,TP,1608	
.....7RD09	2007-000086	R-CHIP;5.6Kohm,5%,1/16W,DA,TP,1608	
.....7RD10	2007-000074	R-CHIP;100ohm,5%,1/16W,DA,TP,1608	
.....7RD11	2007-000074	R-CHIP;100ohm,5%,1/16W,DA,TP,1608	
.....7RD12	2007-000094	R-CHIP;22Kohm,5%,1/16W,DA,TP,1608	
.....7RD13	2007-000088	R-CHIP;7.5Kohm,5%,1/16W,DA,TP,1608	
.....7RD14	2007-000309	R-CHIP;10ohm,5%,1/16W,DA,TP,1608	
.....7RD15	2007-000078	R-CHIP;1Kohm,5%,1/16W,DA,TP,1608	
.....7RD16	2007-000119	R-CHIP;560ohm,5%,1/16W,DA,TP,1608	
.....7RD17	2007-000086	R-CHIP;5.6Kohm,5%,1/16W,DA,TP,1608	
.....7RD18	2007-000074	R-CHIP;100ohm,5%,1/16W,DA,TP,1608	
.....7RD19	2007-000119	R-CHIP;560ohm,5%,1/16W,DA,TP,1608	
.....7RD20	2007-001093	R-CHIP;620ohm,5%,1/16W,DA,TP,1608	
.....7RD21	2007-000075	R-CHIP;220ohm,5%,1/16W,DA,TP,1608	
.....7RD22	2007-000078	R-CHIP;1Kohm,5%,1/16W,DA,TP,1608	
.....7RD23	2007-000124	R-CHIP;2.2Kohm,5%,1/16W,DA,TP,1608	
.....7RD24	2007-000097	R-CHIP;47Kohm,5%,1/16W,DA,TP,1608	
.....7RD25	2007-000106	R-CHIP;220Kohm,5%,1/16W,DA,TP,1608	
.....7RD26	2007-000077	R-CHIP;470ohm,5%,1/16W,DA,TP,1608	
.....7RD27	2007-000084	R-CHIP;4.7Kohm,5%,1/16W,DA,TP,1608	
.....7RD37	2007-001093	R-CHIP;620ohm,5%,1/16W,DA,TP,1608	
.....7RD38	2007-000074	R-CHIP;100ohm,5%,1/16W,DA,TP,1608	
.....7RD39	2007-000078	R-CHIP;1Kohm,5%,1/16W,DA,TP,1608	
.....7RD40	2007-000583	R-CHIP;22Kohm,1%,1/16W,DA,TP,1608	
.....7RD41	2007-000052	R-CHIP;10Kohm,1%,1/16W,DA,TP,1608	
.....7RD42	2007-000583	R-CHIP;22Kohm,1%,1/16W,DA,TP,1608	
.....7RD43	2007-000869	R-CHIP;4.7Kohm,1%,1/16W,DA,TP,1608	
.....7RD50	2007-000074	R-CHIP;100ohm,5%,1/16W,DA,TP,1608	
.....7RD51	2007-000078	R-CHIP;1Kohm,5%,1/16W,DA,TP,1608	
.....7RD59	2007-000102	R-CHIP;100Kohm,5%,1/16W,DA,TP,1608	

Loc. No.	Code No.	Description ; Specification	Remark
.....7RD62	2007-000309	R-CHIP;10ohm,5%,1/16W,DA,TP,1608	
.....7RD63	2007-000124	R-CHIP;2.2Kohm,5%,1/16W,DA,TP,1608	
.....7RD64	2007-000078	R-CHIP;1Kohm,5%,1/16W,DA,TP,1608	
.....7RD65	2007-000078	R-CHIP;1Kohm,5%,1/16W,DA,TP,1608	
.....7RD66	2007-000096	R-CHIP;30Kohm,5%,1/16W,DA,TP,1608	
.....7RD67	2007-000125	R-CHIP;3.9Kohm,5%,1/16W,DA,TP,1608	
.....7RD68	2007-000124	R-CHIP;2.2Kohm,5%,1/16W,DA,TP,1608	
.....7RD69	2007-000077	R-CHIP;470ohm,5%,1/16W,DA,TP,1608	
.....7RD70	2007-000077	R-CHIP;470ohm,5%,1/16W,DA,TP,1608	
.....7RD71	2007-000234	R-CHIP;1.3Kohm,5%,1/16W,DA,TP,1608	
.....7RD72	2007-000077	R-CHIP;470ohm,5%,1/16W,DA,TP,1608	
.....7RD73	2007-000074	R-CHIP;100ohm,5%,1/16W,DA,TP,1608	
.....7RD74	2007-000077	R-CHIP;470ohm,5%,1/16W,DA,TP,1608	
.....7RD75	2007-000074	R-CHIP;100ohm,5%,1/16W,DA,TP,1608	
.....7RD76	2007-000074	R-CHIP;100ohm,5%,1/16W,DA,TP,1608	
.....7RD77	2007-000074	R-CHIP;100ohm,5%,1/16W,DA,TP,1608	
.....7RD78	2007-000074	R-CHIP;100ohm,5%,1/16W,DA,TP,1608	
.....7RD79	2007-000074	R-CHIP;100ohm,5%,1/16W,DA,TP,1608	
.....7RD82	2007-000309	R-CHIP;10ohm,5%,1/16W,DA,TP,1608	
.....7RD83	2007-000124	R-CHIP;2.2Kohm,5%,1/16W,DA,TP,1608	
.....7RD84	2007-000119	R-CHIP;560ohm,5%,1/16W,DA,TP,1608	
.....7RD85	2007-000086	R-CHIP;5.6Kohm,5%,1/16W,DA,TP,1608	
.....7RD86	2007-000077	R-CHIP;470ohm,5%,1/16W,DA,TP,1608	
.....7RD87	2007-000077	R-CHIP;470ohm,5%,1/16W,DA,TP,1608	
.....7RD88	2007-000211	R-CHIP;1.1Kohm,5%,1/16W,DA,TP,1608	
.....7RD89	2007-000113	R-CHIP;33ohm,5%,1/16W,DA,TP,1608	
.....7RD90	2007-000074	R-CHIP;100ohm,5%,1/16W,DA,TP,1608	
.....7RD91	2007-000077	R-CHIP;470ohm,5%,1/16W,DA,TP,1608	
.....7RD92	2007-000074	R-CHIP;100ohm,5%,1/16W,DA,TP,1608	
.....7RD93	2007-000070	R-CHIP;0ohm,5%,1/16W,DA,TP,1608	
.....7RD94	2007-000070	R-CHIP;0ohm,5%,1/16W,DA,TP,1608	
.....7RD95	2007-000078	R-CHIP;1Kohm,5%,1/16W,DA,TP,1608	
.....7RD96	2007-000077	R-CHIP;470ohm,5%,1/16W,DA,TP,1608	
.....7RD97	2007-000077	R-CHIP;470ohm,5%,1/16W,DA,TP,1608	
.....7RD98	2007-000070	R-CHIP;0ohm,5%,1/16W,DA,TP,1608	
.....5	0202-000187	SOLDER-WIRE FLUX,-,RS60S,D1.2.63Sn/37Pb	S.N.A
.....5	0202-001167	SOLDER-CREAM;RX3603-2330HO,S45A,PASTE,SN	S.N.A
.....4	AA95-01793A	ASSY SUB-PCB,CAPTION;PCL545R,P54A,AA95-0	
.....5 BK01	AA61-10068A	BRACKET-PCB;M2160,SPT,TO.3,-,-,-	S.N.A
.....5 CNC01	3711-002709	CONNECTOR-HEADER;NOWALL,12P,1R,2.5mm,ANG	
.....5 CNC02	3711-002708	CONNECTOR-HEADER;NOWALL,10P,1R,2.5mm,ANG	
.....5 ICC01	1204-001718	IC-DECODER;Z86129,DIP,18P,300MIL,PLASTIC	
.....5 ICC02	1001-001083	IC-VIDEO SWITCH;NJM2248D,-,DIP,8P,300MIL	
.....5 ICC03	1001-001083	IC-VIDEO SWITCH;NJM2248D,-,DIP,8P,300MIL	
.....5	AA97-05186A	ASSY AUTO-SUB;PCL545R,P54A	S.N.A
.....6 CC01	2401-000603	C-AL;1uF,20%,50V,GP,TP,5x11.5	
.....6 CC02	2401-002144	C-AL;47uF,20%,16V,GP,TP,5x11.5	
.....6 CC03	2201-000600	C-CERAMIC,DISC;0.56nF,10%,50V,Y5P,TP,5x3	
.....6 CC04	2401-000223	C-AL;100nF,20%,50V,LL,TP,5x11mm,5mm	
.....6 CC05	2301-000310	C-FILM,PEF;68nF,5%,50V,TP,8.0X8.5X4.0X5	
.....6 CC06	2301-000301	C-FILM,PEF;6.8nF,5%,50V,TP,6.5X5.5X3.0X5	
.....6 CC07	2401-001840	C-AL;100uF,20%,16V,GP,TP,6.3x11.5	
.....6 CC08	2401-002144	C-AL;47uF,20%,16V,GP,TP,5x11.5	
.....6 CC09	2401-002144	C-AL;47uF,20%,16V,GP,TP,5x11.5	
.....6 CC10	2305-000149	C-FILM,MPEF;100nF,5%,100V,TP,12x12.5x6.5	
.....6 CC11	2401-002235	C-AL;10uF,20%,16V,GP,TP,5x11mm,5mm	
.....6 CC12	2305-000149	C-FILM,MPEF;100nF,5%,100V,TP,12x12.5x6.5	
.....6 CC13	2401-002619	C-AL;47uF,20%,25V,GP,TP,5x11.5	
.....6 CC14	2201-000119	C-CERAMIC,DISC;100nF,+80-20%,50V,Y5V,TP	
.....6 CC15	2201-000600	C-CERAMIC,DISC;0.56nF,10%,50V,Y5P,TP,5x3	
.....6 CC16	2201-000119	C-CERAMIC,DISC;100nF,+80-20%,50V,Y5V,TP	
.....6 CC19	2201-000119	C-CERAMIC,DISC;100nF,+80-20%,50V,Y5V,TP	
.....6 DC01	0401-000005	DIODE-SWITCHING;1N4148,100V,200mA,DO-35	
.....6 DC02	0401-000005	DIODE-SWITCHING;1N4148,100V,200mA,DO-35	
.....6 DC03	0401-000005	DIODE-SWITCHING;1N4148,100V,200mA,DO-35	
.....6 LC01	2701-000115	INDUCTOR-AXIAL;10uH,10%,3x7mm	
.....6 PCB	AA41-00337A	PCB-CAPTION;PCL545R,FR-1,1L,A,1.6T,245X2	S.N.A
.....6 QC01	0501-000389	TR-SMALL SIGNAL;KSC815,NPN,400mW,TO-92,T	
.....6 QC02	0501-000389	TR-SMALL SIGNAL;KSC815,NPN,400mW,TO-92,T	
.....6 RC01	2004-000433	R-METAL;1Kohm,1%,1/8W,AA,TP,1.8x3.2mm	
.....6 RC02	2004-000433	R-METAL;1Kohm,1%,1/8W,AA,TP,1.8x3.2mm	
.....6 RC03	2001-000429	R-CARBON;1KOHM,5%,1/8W,AA,TP,1.8X3.2MM	
.....6 RC04	2001-000221	R-CARBON;1.2KOHM,5%,1/8W,AA,TP,1.8X3.2MM	
.....6 RC05	2001-000890	R-CARBON;6.8KOHM,5%,1/8W,AA,TP,1.8X3.2MM	
.....6 RC06	2001-000006	R-CARBON;2.4KOHM,5%,1/8W,AA,TP,1.8X3.2MM	
.....6 RC07	2001-000734	R-CARBON;4.7KOHM,5%,1/8W,AA,TP,1.8X3.2MM	
.....6 RC08	2001-000515	R-CARBON;220OHM,5%,1/8W,AA,TP,1.8X3.2MM	

Loc. No.	Code No.	Description ; Specification	Remark	Loc. No.	Code No.	Description ; Specification	Remark
.....6 RC09	2001-000969	R-CARBON;750HM,5%,1/8W,AA,TP,1.8X3.2MM	6 C60	2203-001071	C-CERAMIC,CHIP;0.056nF,5%,50V,NP0,TP,160	
.....6 RC10	2004-000433	R-METAL;1Kohm,1%,1/8W,AA,TP,1.8x3.2mm	6 C61	2203-000041	C-CERAMIC,CHIP;0.01nF,0.25pF,50V,NP0,TP,	
.....6 RC11	2001-000515	R-CARBON;220OHM,5%,1/8W,AA,TP,1.8X3.2MM	6 C62	2203-000181	C-CERAMIC,CHIP;100nF,+80-20%,25V,Y5V,TP,	
.....6 RC12	2001-000591	R-CARBON;3.3KOHM,5%,1/8W,AA,TP,1.8X3.2MM	6 C63	2203-000357	C-CERAMIC,CHIP;0.15nF,5%,50V,NP0,TP,1608	
.....6 RC13	2001-000281	R-CARBON;100OHM,5%,1/8W,AA,TP,1.8X3.2MM	6 C64	2203-001071	C-CERAMIC,CHIP;0.056nF,5%,50V,NP0,TP,160	
.....6 RC14	2001-000281	R-CARBON;100OHM,5%,1/8W,AA,TP,1.8X3.2MM	6 C65	2203-000041	C-CERAMIC,CHIP;0.01nF,0.25pF,50V,NP0,TP,	
.....6 RC15	2001-000281	R-CARBON;100OHM,5%,1/8W,AA,TP,1.8X3.2MM	6 C66	2203-000181	C-CERAMIC,CHIP;100nF,+80-20%,25V,Y5V,TP,	
.....6 RC16	2004-000218	R-METAL;10Kohm,1%,1/8W,AA,TP,1.8x3.2mm	6 C67	2203-000357	C-CERAMIC,CHIP;0.15nF,5%,50V,NP0,TP,1608	
.....6 RC17	2001-000780	R-CARBON;470OHM,5%,1/8W,AA,TP,1.8X3.2MM	6 C68	2203-001071	C-CERAMIC,CHIP;0.056nF,5%,50V,NP0,TP,160	
.....6 RC18	2001-000734	R-CARBON;4.7KOHM,5%,1/8W,AA,TP,1.8X3.2MM	6 C69	2203-000041	C-CERAMIC,CHIP;0.01nF,0.25pF,50V,NP0,TP,	
.....6 RC19	2001-000221	R-CARBON;1.2KOHM,5%,1/8W,AA,TP,1.8X3.2MM	6 C70	2203-001083	C-CERAMIC,CHIP;0.005nF,0.1pF,50V,NP0,TP,	
.....6 RC20	2001-000734	R-CARBON;4.7KOHM,5%,1/8W,AA,TP,1.8X3.2MM	6 C71	2203-001083	C-CERAMIC,CHIP;0.005nF,0.1pF,50V,NP0,TP,	
.....6 RC21	2001-000362	R-CARBON;150OHM,5%,1/8W,AA,TP,1.8X3.2MM	6 C72	2203-001083	C-CERAMIC,CHIP;0.005nF,0.1pF,50V,NP0,TP,	
.....6 RC22	2001-000613	R-CARBON;3.9KOHM,5%,1/8W,AA,TP,1.8X3.2MM	6 C73	2203-001083	C-CERAMIC,CHIP;0.005nF,0.1pF,50V,NP0,TP,	
.....6 RC23	2001-000006	R-CARBON;2.4KOHM,5%,1/8W,AA,TP,1.8X3.2MM	6 C74	2402-001042	C-AL,SMD;100uF,20%,16V,GP,TP,6.6x6.6x5.4	
.....6 RC24	2001-000007	R-CARBON;3KOHM,5%,1/8W,AA,TP,1.8X3.2MM	6 C75	2203-000181	C-CERAMIC,CHIP;100nF,+80-20%,25V,Y5V,TP,	
.....6 RC25	2001-000003	R-CARBON;330ohm,5%,1/8W,AA,TP,1.8x3.2mm	6 C76	2203-001034	C-CERAMIC,CHIP;5.6nF,10%,50V,X7R,TP,1608	
.....6 RC30	2001-000708	R-CARBON;390HM,5%,1/8W,AA,TP,1.8X3.2MM	6 C77	2203-000257	C-CERAMIC,CHIP;10nF,10%,50V,X7R,TP,1608	
.....5	0202-000187	SOLDER-WIRE FLUX;-RS60S,D1.2,63Sn/37Pb	S.N.A6 C78	2203-000181	C-CERAMIC,CHIP;100nF,+80-20%,25V,Y5V,TP,	
.....4	AA95-01799R	ASSY SUB-PCB,CONV MDL;SVP-54T6SR,P54A,AA	6 C79	2203-000181	C-CERAMIC,CHIP;100nF,+80-20%,25V,Y5V,TP,	
.....5 CN01	3703-001124	CONNECTOR-DIN;32P,2R,MALE,ANGLE,AUF	6 C80	2203-000181	C-CERAMIC,CHIP;100nF,+80-20%,25V,Y5V,TP,	
.....5 CN04	3711-003601	CONNECTOR-HEADER;BOX,12P,1R,2.5mm,ANGLE,	6 C81	2203-000181	C-CERAMIC,CHIP;100nF,+80-20%,25V,Y5V,TP,	
.....5 L01	2701-001030	INDUCTOR-AXIAL;43uH,10%,5x14mm	6 C82	2203-000181	C-CERAMIC,CHIP;100nF,+80-20%,25V,Y5V,TP,	
.....5	AA97-06265A	ASSY SMD-SUB;SVP-54T6SR,P54A	S.N.A6 C83	2203-000181	C-CERAMIC,CHIP;100nF,+80-20%,25V,Y5V,TP,	
.....6 C01	2402-001042	C-AL,SMD;100uF,20%,16V,GP,TP,6.6x6.6x5.4	6 C84	2203-000181	C-CERAMIC,CHIP;100nF,+80-20%,25V,Y5V,TP,	
.....6 C02	2203-000181	C-CERAMIC,CHIP;100nF,+80-20%,25V,Y5V,TP,	6 C86	2203-000181	C-CERAMIC,CHIP;100nF,+80-20%,25V,Y5V,TP,	
.....6 C03	2402-001042	C-AL,SMD;100uF,20%,16V,GP,TP,6.6x6.6x5.4	6 C87	2203-000181	C-CERAMIC,CHIP;100nF,+80-20%,25V,Y5V,TP,	
.....6 C04	2203-000181	C-CERAMIC,CHIP;100nF,+80-20%,25V,Y5V,TP,	6 C88	2203-001245	C-CERAMIC,CHIP;0.082nF,5%,50V,NP0,TP,201	
.....6 C05	2203-000181	C-CERAMIC,CHIP;100nF,+80-20%,25V,Y5V,TP,	6 C89	2203-000181	C-CERAMIC,CHIP;100nF,+80-20%,25V,Y5V,TP,	
.....6 C07	2402-001042	C-AL,SMD;100uF,20%,16V,GP,TP,6.6x6.6x5.4	6 C90	2203-000575	C-CERAMIC,CHIP;220nF,10%,25V,X7R,TP,2012	
.....6 C08	2203-000181	C-CERAMIC,CHIP;100nF,+80-20%,25V,Y5V,TP,	6 C91	2203-000975	C-CERAMIC,CHIP;47nF,10%,25V,X7R,TP,1608,	
.....6 C10	2203-000181	C-CERAMIC,CHIP;100nF,+80-20%,25V,Y5V,TP,	6 C92	2203-000257	C-CERAMIC,CHIP;10nF,10%,50V,X7R,TP,1608	
.....6 C11	2203-000181	C-CERAMIC,CHIP;100nF,+80-20%,25V,Y5V,TP,	6 C93	2402-001042	C-AL,SMD;100uF,20%,16V,GP,TP,6.6x6.6x5.4	
.....6 C12	2203-000181	C-CERAMIC,CHIP;100nF,+80-20%,25V,Y5V,TP,	6 D01	0401-000160	DIODE-SWITCHING;ISS314,30V,100mA,USC,TP	
.....6 C13	2203-000181	C-CERAMIC,CHIP;100nF,+80-20%,25V,Y5V,TP,	6 D02	0401-000160	DIODE-SWITCHING;ISS314,30V,100mA,USC,TP	
.....6 C14	2203-000181	C-CERAMIC,CHIP;100nF,+80-20%,25V,Y5V,TP,	6 D03	0401-000160	DIODE-SWITCHING;ISS314,30V,100mA,USC,TP	
.....6 C15	2203-000440	C-CERAMIC,CHIP;1nF,10%,50V,X7R,TP,1608,-	6 D04	0401-000160	DIODE-SWITCHING;ISS314,30V,100mA,USC,TP	
.....6 C17	2402-001042	C-AL,SMD;100uF,20%,16V,GP,TP,6.6x6.6x5.4	6 D05	0401-000160	DIODE-SWITCHING;ISS314,30V,100mA,USC,TP	
.....6 C18	2203-000181	C-CERAMIC,CHIP;100nF,+80-20%,25V,Y5V,TP,	6 DZ01	0403-001016	DIODE-ZENER;RLZ6.2B,6.2V,5.96-6.27V,400m	
.....6 C19	2402-001049	C-AL,CHIP;10uF,20%,16V,GP,TP,3.3x3.3x5.4	6 DZ02	0403-001016	DIODE-ZENER;RLZ6.2B,6.2V,5.96-6.27V,400m	
.....6 C20	2203-000181	C-CERAMIC,CHIP;100nF,+80-20%,25V,Y5V,TP,	6 DZ03	0403-001016	DIODE-ZENER;RLZ6.2B,6.2V,5.96-6.27V,400m	
.....6 C21	2203-000181	C-CERAMIC,CHIP;100nF,+80-20%,25V,Y5V,TP,	6 DZ04	0403-001016	DIODE-ZENER;RLZ6.2B,6.2V,5.96-6.27V,400m	
.....6 C22	2203-000181	C-CERAMIC,CHIP;100nF,+80-20%,25V,Y5V,TP,	6 EF01	2901-000229	FILTER-EMI SMD;50V,0.3A,-,22000pF,4.5x3	
.....6 C23	2203-000181	C-CERAMIC,CHIP;100nF,+80-20%,25V,Y5V,TP,	6 EF02	2901-000229	FILTER-EMI SMD;50V,0.3A,-,22000pF,4.5x3	
.....6 C24	2203-000181	C-CERAMIC,CHIP;100nF,+80-20%,25V,Y5V,TP,	6 EF03	2007-000029	R-CHIP;00HM,5%,1/10W,DA,TP,2012	
.....6 C25	2203-000181	C-CERAMIC,CHIP;100nF,+80-20%,25V,Y5V,TP,	6 EF04	3301-001324	CORE-FERRITE BEAD;AB,150HM,2X1.25X0.9MM,	
.....6 C26	2203-000181	C-CERAMIC,CHIP;100nF,+80-20%,25V,Y5V,TP,	6 EF05	3301-001324	CORE-FERRITE BEAD;AB,150HM,2X1.25X0.9MM,	
.....6 C27	2203-000181	C-CERAMIC,CHIP;100nF,+80-20%,25V,Y5V,TP,	6 EF06	2901-000226	FILTER-EMI SMD;25V,0.3A,-,100pF,3.2x1.25	
.....6 C28	2203-000181	C-CERAMIC,CHIP;100nF,+80-20%,25V,Y5V,TP,	6 EF07	3301-001324	CORE-FERRITE BEAD;AB,150HM,2X1.25X0.9MM,	
.....6 C29	2203-000181	C-CERAMIC,CHIP;100nF,+80-20%,25V,Y5V,TP,	6 EF08	3301-001324	CORE-FERRITE BEAD;AB,150HM,2X1.25X0.9MM,	
.....6 C30	2203-000181	C-CERAMIC,CHIP;100nF,+80-20%,25V,Y5V,TP,	6 EF09	3301-001324	CORE-FERRITE BEAD;AB,150HM,2X1.25X0.9MM,	
.....6 C31	2203-000181	C-CERAMIC,CHIP;100nF,+80-20%,25V,Y5V,TP,	6 EF10	3301-001324	CORE-FERRITE BEAD;AB,150HM,2X1.25X0.9MM,	
.....6 C32	2203-000181	C-CERAMIC,CHIP;100nF,+80-20%,25V,Y5V,TP,	6 EF13	2901-000226	FILTER-EMI SMD;25V,0.3A,-,100pF,3.2x1.25	
.....6 C33	2203-000181	C-CERAMIC,CHIP;100nF,+80-20%,25V,Y5V,TP,	6 EF14	2007-000029	R-CHIP;00HM,5%,1/10W,DA,TP,2012	
.....6 C34	2203-000181	C-CERAMIC,CHIP;100nF,+80-20%,25V,Y5V,TP,	6 IC01	AA13-00104A	IC ASIC;SDC11,SVP-54T6SR,208P,0.3VTO3.8	
.....6 C35	2203-000181	C-CERAMIC,CHIP;100nF,+80-20%,25V,Y5V,TP,	6 IC02	1203-002302	IC-POSI.FIXED REG.;78RM33D,D-PAK,3P,-,PL	
.....6 C36	2203-000181	C-CERAMIC,CHIP;100nF,+80-20%,25V,Y5V,TP,	6 IC04	1203-001824	IC-VOL. DETECTOR;7042,SOT-89,3P,-,PLASTI	
.....6 C40	2203-000181	C-CERAMIC,CHIP;100nF,+80-20%,25V,Y5V,TP,	6 IC05	1103-000180	IC-EEPROM;24C16,2Kx8Bit,SOP,8P,150MIL,10	
.....6 C42	2402-001042	C-AL,SMD;100uF,20%,16V,GP,TP,6.6x6.6x5.4	6 IC06	AA09-00032A	IC MICOM;TSC87251G2D-OTP,4.5 TO 5.5V,-	
.....6 C43	2203-000181	C-CERAMIC,CHIP;100nF,+80-20%,25V,Y5V,TP,	6 IC08	1201-001520	IC-VIDEO AMP;EL2250CS,SOIC,8P,150MIL,DUA	
.....6 C44	2203-000181	C-CERAMIC,CHIP;100nF,+80-20%,25V,Y5V,TP,	6 IC09	1001-000164	IC-ANALOG MULTIPLEX;74HC4052,CMOS,SOP,16	
.....6 C45	2402-001042	C-AL,SMD;100uF,20%,16V,GP,TP,6.6x6.6x5.4	6 IC10	1201-001504	IC-OP AMP;072,SOP,8P,150MIL,DUAL,-,PLAST	
.....6 C46	2203-000357	C-CERAMIC,CHIP;0.15nF,5%,50V,NP0,TP,1608	6 IC11	1201-001504	IC-OP AMP;072,SOP,8P,150MIL,DUAL,-,PLAST	
.....6 C47	2203-001071	C-CERAMIC,CHIP;0.056nF,5%,50V,NP0,TP,160	6 IC12	1201-001504	IC-OP AMP;072,SOP,8P,150MIL,DUAL,-,PLAST	
.....6 C48	2203-000041	C-CERAMIC,CHIP;0.01nF,0.25pF,50V,NP0,TP,	6 IC13	1201-001135	IC-OP AMP;324,SOP,ST,14P,150MIL,QUAD,100	
.....6 C49	2203-000181	C-CERAMIC,CHIP;100nF,+80-20%,25V,Y5V,TP,	6 IC14	0801-002345	IC-CMOS LOGIC;7S04,INVERTER,SOT-353,5P4	
.....6 C50	2203-000357	C-CERAMIC,CHIP;0.15nF,5%,50V,NP0,TP,1608	6 IC15	0801-002345	IC-CMOS LOGIC;7S04,INVERTER,SOT-353,5P4	
.....6 C51	2203-001071	C-CERAMIC,CHIP;0.056nF,5%,50V,NP0,TP,160	6 IC16	0801-002345	IC-CMOS LOGIC;7S04,INVERTER,SOT-353,5P4	
.....6 C52	2203-000041	C-CERAMIC,CHIP;0.01nF,0.25pF,50V,NP0,TP,	6 IC17	1209-001163	IC-PLL;TLC2932IPWLE,SOP,14P,-,PLASTIC	
.....6 C53	2203-000181	C-CERAMIC,CHIP;100nF,+80-20%,25V,Y5V,TP,	6 OSC01	2804-001479	OSCILLATOR-CLOCK;24MHZ,100PPM,50PF,TP,5V	
.....6 C54	2203-000357	C-CERAMIC,CHIP;0.15nF,5%,50V,NP0,TP,1608	6 PCB	AA41-00529A	PCB-CONVERGENCE MODULE;SVP-54T6SR,FR-4.4	S.N.A
.....6 C55	2203-001071	C-CERAMIC,CHIP;0.056nF,5%,50V,NP0,TP,160	6 Q01	0501-000280	TR-SMALL SIGNAL;KSA1182,PNP,150mW,SOT-23	
.....6 C56	2203-000041	C-CERAMIC,CHIP;0.01nF,0.25pF,50V,NP0,TP,	6 Q02	0501-000280	TR-SMALL SIGNAL;KSA1182,PNP,150mW,SOT-23	
.....6 C57	2203-000181	C-CERAMIC,CHIP;100nF,+80-20%,25V,Y5V,TP,	6 R01	2007-000074	R-CHIP;100ohm,5%,1/16W,DA,TP,1608	
.....6 C58	2203-000181	C-CERAMIC,CHIP;100nF,+80-20%,25V,Y5V,TP,	6 R02	2007-000084	R-CHIP;4.7Kohm,5%,1/16W,DA,TP,1608	
.....6 C59	2203-000357	C-CERAMIC,CHIP;0.15nF,5%,50V,NP0,TP,1608	6 R03	2007-000074	R-CHIP;100ohm,5%,1/16W,DA,TP,1608	
			6 R04	2007-000078	R-CHIP;1Kohm,5%,1/16W,DA,TP,1608	

Loc. No.	Code No.	Description ; Specification	Remark	Loc. No.	Code No.	Description ; Specification	Remark
.....6 R10	2007-000084	R-CHIP;4.7Kohm,5%,1/16W,DA,TP,1608	6 R75	2007-000074	R-CHIP;100ohm,5%,1/16W,DA,TP,1608	
.....6 R100	2007-000072	R-CHIP;47ohm,5%,1/16W,DA,TP,1608	6 R77	2007-000090	R-CHIP;10KOHM,5%,1/16W,DA,TP,1608	
.....6 R101	2007-000072	R-CHIP;47ohm,5%,1/16W,DA,TP,1608	6 R78	2007-000090	R-CHIP;10KOHM,5%,1/16W,DA,TP,1608	
.....6 R102	2007-000072	R-CHIP;47ohm,5%,1/16W,DA,TP,1608	6 R79	2007-000090	R-CHIP;10KOHM,5%,1/16W,DA,TP,1608	
.....6 R103	2007-000072	R-CHIP;47ohm,5%,1/16W,DA,TP,1608	6 R80	2007-000090	R-CHIP;10KOHM,5%,1/16W,DA,TP,1608	
.....6 R109	2007-000072	R-CHIP;47ohm,5%,1/16W,DA,TP,1608	6 R81	2007-000757	R-CHIP;330KOHM,5%,1/10W,DA,TP,2012	
.....6 R11	2007-000078	R-CHIP;1Kohm,5%,1/16W,DA,TP,1608	6 R82	2007-000757	R-CHIP;330KOHM,5%,1/10W,DA,TP,2012	
.....6 R110	2007-000084	R-CHIP;4.7Kohm,5%,1/16W,DA,TP,1608	6 R83	2007-000757	R-CHIP;330KOHM,5%,1/10W,DA,TP,2012	
.....6 R111	2007-000102	R-CHIP;100Kohm,5%,1/16W,DA,TP,1608	6 R84	2007-000757	R-CHIP;330KOHM,5%,1/10W,DA,TP,2012	
.....6 R117	2007-000070	R-CHIP;0ohm,5%,1/16W,DA,TP,1608	6 R85	2007-000074	R-CHIP;100ohm,5%,1/16W,DA,TP,1608	
.....6 R118	2007-000123	R-CHIP;1.5Kohm,5%,1/16W,DA,TP,1608	6 R86	2007-000074	R-CHIP;100ohm,5%,1/16W,DA,TP,1608	
.....6 R119	2007-000355	R-CHIP;12KOHM,5%,1/10W,DA,TP,2012	6 R87	2007-000704	R-CHIP;3.6Kohm,5%,1/16W,DA,TP,1608	
.....6 R12	2007-000084	R-CHIP;4.7Kohm,5%,1/16W,DA,TP,1608	6 R88	2007-000078	R-CHIP;1Kohm,5%,1/16W,DA,TP,1608	
.....6 R120	2007-000856	R-CHIP;4.3KOHM,1%,1/10W,DA,TP,2012	6 R89	2007-000090	R-CHIP;10KOHM,5%,1/16W,DA,TP,1608	
.....6 R121	2007-000109	R-CHIP;1Mohm,5%,1/16W,DA,TP,1608	6 R90	2007-000090	R-CHIP;10KOHM,5%,1/16W,DA,TP,1608	
.....6 R122	2007-000078	R-CHIP;1Kohm,5%,1/16W,DA,TP,1608	6 R91	2007-000090	R-CHIP;10KOHM,5%,1/16W,DA,TP,1608	
.....6 R123	2007-000078	R-CHIP;1Kohm,5%,1/16W,DA,TP,1608	6 R92	2007-000125	R-CHIP;3.9Kohm,5%,1/16W,DA,TP,1608	
.....6 R124	2007-000078	R-CHIP;1Kohm,5%,1/16W,DA,TP,1608	6 R93	2007-000084	R-CHIP;4.7Kohm,5%,1/16W,DA,TP,1608	
.....6 R125	2007-000078	R-CHIP;1Kohm,5%,1/16W,DA,TP,1608	6 R94	2007-000084	R-CHIP;4.7Kohm,5%,1/16W,DA,TP,1608	
.....6 R126	2007-000078	R-CHIP;1Kohm,5%,1/16W,DA,TP,1608	6 R95	2007-000072	R-CHIP;47ohm,5%,1/16W,DA,TP,1608	
.....6 R127	2007-000078	R-CHIP;1Kohm,5%,1/16W,DA,TP,1608	6 RN01	2011-000585	R-NETWORK;47ohm,5%,63mW,L,CHIP,8P,TP	
.....6 R13	2007-000084	R-CHIP;4.7Kohm,5%,1/16W,DA,TP,1608	6 RN02	2011-000585	R-NETWORK;47ohm,5%,63mW,L,CHIP,8P,TP	
.....6 R134	2007-000070	R-CHIP;0ohm,5%,1/16W,DA,TP,1608	6 RN03	2011-000585	R-NETWORK;47ohm,5%,63mW,L,CHIP,8P,TP	
.....6 R14	2007-000074	R-CHIP;100ohm,5%,1/16W,DA,TP,1608	6 RN04	2011-000585	R-NETWORK;47ohm,5%,63mW,L,CHIP,8P,TP	
.....6 R15	2007-000074	R-CHIP;100ohm,5%,1/16W,DA,TP,1608	6 RN05	2011-000585	R-NETWORK;47ohm,5%,63mW,L,CHIP,8P,TP	
.....6 R16	2007-000074	R-CHIP;100ohm,5%,1/16W,DA,TP,1608	6 RN08	2011-000585	R-NETWORK;47ohm,5%,63mW,L,CHIP,8P,TP	
.....6 R17	2007-000122	R-CHIP;1.2Kohm,5%,1/16W,DA,TP,1608	4	AA95-01806C	ASSY SUB-PCB,DW-SRC,PCL545R,P54A,AA95-00	
.....6 R18	2007-000381	R-CHIP;13Kohm,5%,1/16W,DA,TP,1608	5 CN01	3703-001124	CONNECTOR-DIN;32P,2R,MALE,ANGLE,AUF	
.....6 R19	2007-001056	R-CHIP;6.2Kohm,5%,1/16W,DA,TP,1608	5 CN02	3703-001124	CONNECTOR-DIN;32P,2R,MALE,ANGLE,AUF	
.....6 R20	2007-000080	R-CHIP;2Kohm,5%,1/16W,DA,TP,1608	5 CX01	2801-004019	CRYSTAL-UNIT;20.25MHz,30ppm,28-AAM,13pF	
.....6 R21	2007-000078	R-CHIP;1Kohm,5%,1/16W,DA,TP,1608	5 DX01	2801-003811	CRYSTAL-UNIT;24.576MHz,20PPM,28-AAM,30PF	
.....6 R22	2007-001167	R-CHIP;75ohm,5%,1/16W,DA,TP,1608	5 PX01	2801-004019	CRYSTAL-UNIT;20.25MHz,30ppm,28-AAM,13pF	
.....6 R23	2007-000078	R-CHIP;1Kohm,5%,1/16W,DA,TP,1608	5	AA97-05338A	ASSY AUTO-SUB,PCL545R,P54A	S.N.A
.....6 R28	2007-001163	R-CHIP;75OHM,1%,1/10W,DA,TP,2012	6 CC17	2401-002183	C-AL;220uF,20%,16V,GP,TP,8x9,5mm	
.....6 R29	2007-001163	R-CHIP;75OHM,1%,1/10W,DA,TP,2012	6 CC19	2401-001496	C-AL;47uF,20%,16V,GP,TP,5x7,5	
.....6 R30	2007-000122	R-CHIP;1.2Kohm,5%,1/16W,DA,TP,1608	6 CC28	2401-001496	C-AL;47uF,20%,16V,GP,TP,5x7,5	
.....6 R32	2007-000122	R-CHIP;1.2Kohm,5%,1/16W,DA,TP,1608	6 CC32	2401-002183	C-AL;220uF,20%,16V,GP,TP,8x9,5mm	
.....6 R33	2007-000028	R-CHIP;390OHM,5%,1/10W,DA,TP,2012	6 CC42	2401-001496	C-AL;47uF,20%,16V,GP,TP,5x7,5	
.....6 R34	2007-000028	R-CHIP;390OHM,5%,1/10W,DA,TP,2012	6 CC44	2401-001496	C-AL;47uF,20%,16V,GP,TP,5x7,5	
.....6 R37	2007-000078	R-CHIP;1Kohm,5%,1/16W,DA,TP,1608	6 CC45	2401-000486	C-AL;10uF,20%,50V,GP,TP,6.3x7mm,5	
.....6 R38	2007-000078	R-CHIP;1Kohm,5%,1/16W,DA,TP,1608	6 DC16	2401-001496	C-AL;47uF,20%,16V,GP,TP,5x7,5	
.....6 R39	2007-000078	R-CHIP;1Kohm,5%,1/16W,DA,TP,1608	6 DC17	2401-002009	C-AL;100uF,20%,16V,GP,TP,6.3x7,5	
.....6 R40	2007-000078	R-CHIP;1Kohm,5%,1/16W,DA,TP,1608	6 DC19	2401-002009	C-AL;100uF,20%,16V,GP,TP,6.3x7,5	
.....6 R41	2007-000078	R-CHIP;1Kohm,5%,1/16W,DA,TP,1608	6 DC27	2401-000598	C-AL;1uF,20%,50V,GP,TP,4x7,5	
.....6 R42	2007-000078	R-CHIP;1Kohm,5%,1/16W,DA,TP,1608	6 DC39	2401-000598	C-AL;1uF,20%,50V,GP,TP,4x7,5	
.....6 R43	2007-000078	R-CHIP;1Kohm,5%,1/16W,DA,TP,1608	6 DL07	2702-001092	INDUCTOR-RADIAL;2.2uH,10%,6x4mm	
.....6 R44	2007-000078	R-CHIP;1Kohm,5%,1/16W,DA,TP,1608	6 IC12	1203-001140	IC-VOL. DETECTOR;7039,TO-92P,3P,-,PLASTI	
.....6 R45	2007-000074	R-CHIP;100ohm,5%,1/16W,DA,TP,1608	6 PC14	2401-002183	C-AL;220uF,20%,16V,GP,TP,8x9,5mm	
.....6 R46	2007-000084	R-CHIP;4.7Kohm,5%,1/16W,DA,TP,1608	6 PC16	2401-002144	C-AL;47uF,20%,16V,GP,TP,5x11,5	
.....6 R47	2007-000084	R-CHIP;4.7Kohm,5%,1/16W,DA,TP,1608	6 PC23	2401-001496	C-AL;47uF,20%,16V,GP,TP,5x7,5	
.....6 R48	2007-000078	R-CHIP;1Kohm,5%,1/16W,DA,TP,1608	6 PC27	2401-002183	C-AL;220uF,20%,16V,GP,TP,8x9,5mm	
.....6 R49	2007-000080	R-CHIP;2Kohm,5%,1/16W,DA,TP,1608	6 PC41	2401-001496	C-AL;47uF,20%,16V,GP,TP,5x7,5	
.....6 R50	2007-000074	R-CHIP;100ohm,5%,1/16W,DA,TP,1608	6 PC43	2401-001496	C-AL;47uF,20%,16V,GP,TP,5x7,5	
.....6 R51	2007-000084	R-CHIP;4.7Kohm,5%,1/16W,DA,TP,1608	6 SC01	2401-001496	C-AL;47uF,20%,16V,GP,TP,5x7,5	
.....6 R52	2007-000084	R-CHIP;4.7Kohm,5%,1/16W,DA,TP,1608	6 SC03	2401-001496	C-AL;47uF,20%,16V,GP,TP,5x7,5	
.....6 R53	2007-000078	R-CHIP;1Kohm,5%,1/16W,DA,TP,1608	6 SC22	2401-003102	C-AL;100uF,20%,10V,GP,TP,5x11,5	
.....6 R54	2007-000080	R-CHIP;2Kohm,5%,1/16W,DA,TP,1608	6 SC30	2401-000480	C-AL;10uF,20%,50V,GP,TP,5x11,5	
.....6 R55	2007-000074	R-CHIP;100ohm,5%,1/16W,DA,TP,1608	6 SC31	2401-000480	C-AL;10uF,20%,50V,GP,TP,5x11,5	
.....6 R56	2007-000084	R-CHIP;4.7Kohm,5%,1/16W,DA,TP,1608	6 SC36	2401-000480	C-AL;10uF,20%,50V,GP,TP,5x11,5	
.....6 R57	2007-000084	R-CHIP;4.7Kohm,5%,1/16W,DA,TP,1608	6 SC51	2401-001496	C-AL;47uF,20%,16V,GP,TP,5x7,5	
.....6 R58	2007-000078	R-CHIP;1Kohm,5%,1/16W,DA,TP,1608	6 SC53	2401-001496	C-AL;47uF,20%,16V,GP,TP,5x7,5	
.....6 R59	2007-000080	R-CHIP;2Kohm,5%,1/16W,DA,TP,1608	6 YC21	2401-001496	C-AL;47uF,20%,16V,GP,TP,5x7,5	
.....6 R60	2007-000074	R-CHIP;100ohm,5%,1/16W,DA,TP,1608	6 YC26	2401-001496	C-AL;47uF,20%,16V,GP,TP,5x7,5	
.....6 R61	2007-000084	R-CHIP;4.7Kohm,5%,1/16W,DA,TP,1608	6 YC31	2401-000486	C-AL;10uF,20%,50V,GP,TP,6.3x7mm,5	
.....6 R62	2007-000084	R-CHIP;4.7Kohm,5%,1/16W,DA,TP,1608	6 YC38	2401-000486	C-AL;10uF,20%,50V,GP,TP,6.3x7mm,5	
.....6 R63	2007-000078	R-CHIP;1Kohm,5%,1/16W,DA,TP,1608	6 YC57	2401-001496	C-AL;47uF,20%,16V,GP,TP,5x7,5	
.....6 R64	2007-000080	R-CHIP;2Kohm,5%,1/16W,DA,TP,1608	6 YC62	2401-000598	C-AL;1uF,20%,50V,GP,TP,4x7,5	
.....6 R65	2007-000074	R-CHIP;100ohm,5%,1/16W,DA,TP,1608	6 YL02	2702-000160	INDUCTOR-RADIAL;4.7uH,10%,6x6.4mm	
.....6 R66	2007-000084	R-CHIP;4.7Kohm,5%,1/16W,DA,TP,1608	6	AA97-06191A	ASSY SMD-SUB,PCL545R,P54A	S.N.A
.....6 R67	2007-000084	R-CHIP;4.7Kohm,5%,1/16W,DA,TP,1608	7CC01	2203-001603	C-CERAMIC,CHIP;220nF,10%,16V,X7R,TP,2012	
.....6 R68	2007-000078	R-CHIP;1Kohm,5%,1/16W,DA,TP,1608	7CC02	2203-000181	C-CERAMIC,CHIP;100nF,+80-20%,25V,Y5V,TP	
.....6 R69	2007-000080	R-CHIP;2Kohm,5%,1/16W,DA,TP,1608	7CC03	2203-001603	C-CERAMIC,CHIP;220nF,10%,16V,X7R,TP,2012	
.....6 R70	2007-000074	R-CHIP;100ohm,5%,1/16W,DA,TP,1608	7CC04	2203-001603	C-CERAMIC,CHIP;220nF,10%,16V,X7R,TP,2012	
.....6 R71	2007-000084	R-CHIP;4.7Kohm,5%,1/16W,DA,TP,1608	7CC05	2203-000140	C-CERAMIC,CHIP;1.5nF,10%,50V,X7R,TP,1608	
.....6 R72	2007-000084	R-CHIP;4.7Kohm,5%,1/16W,DA,TP,1608	7CC06	2203-000838	C-CERAMIC,CHIP;0.39nF,5%,50V,NPO,TP,1608	
.....6 R73	2007-000078	R-CHIP;1Kohm,5%,1/16W,DA,TP,1608	7CC07	2203-000181	C-CERAMIC,CHIP;100nF,+80-20%,25V,Y5V,TP	
.....6 R74	2007-000080	R-CHIP;2Kohm,5%,1/16W,DA,TP,1608	7CC08	2203-000975	C-CERAMIC,CHIP;47nF,10%,25V,X7R,TP,1608,	

Loc. No.	Code No.	Description ; Specification	Remark	Loc. No.	Code No.	Description ; Specification	Remark
.....7CC09	2203-000140	C-CERAMIC,CHIP;1.5nF,10%,50V,X7R,TP,1608	7CR47	2007-000097	R-CHIP;47Kohm,5%,1/16W,DA,TP,1608	
.....7CC10	2203-000181	C-CERAMIC,CHIP;100nF,+80-20%,25V,Y5V,TP	7CR48	2007-000097	R-CHIP;47Kohm,5%,1/16W,DA,TP,1608	
.....7CC11	2203-000181	C-CERAMIC,CHIP;100nF,+80-20%,25V,Y5V,TP	7CR49	2007-000077	R-CHIP;470ohm,5%,1/16W,DA,TP,1608	
.....7CC12	2203-000181	C-CERAMIC,CHIP;100nF,+80-20%,25V,Y5V,TP	7CR50	2007-000097	R-CHIP;47Kohm,5%,1/16W,DA,TP,1608	
.....7CC13	2203-000181	C-CERAMIC,CHIP;100nF,+80-20%,25V,Y5V,TP	7CR51	2007-000097	R-CHIP;47Kohm,5%,1/16W,DA,TP,1608	
.....7CC14	2203-000181	C-CERAMIC,CHIP;100nF,+80-20%,25V,Y5V,TP	7CR52	2007-000077	R-CHIP;470ohm,5%,1/16W,DA,TP,1608	
.....7CC15	2203-001646	C-CERAMIC,CHIP;3pF,0.5pF,50V,NPO,TP,2012	7CR53	2007-000097	R-CHIP;47Kohm,5%,1/16W,DA,TP,1608	
.....7CC16	2203-001646	C-CERAMIC,CHIP;3pF,0.5pF,50V,NPO,TP,2012	7CR54	2007-000097	R-CHIP;47Kohm,5%,1/16W,DA,TP,1608	
.....7CC18	2203-000975	C-CERAMIC,CHIP;47nF,10%,25V,X7R,TP,1608,-	7CR55	2007-000077	R-CHIP;470ohm,5%,1/16W,DA,TP,1608	
.....7CC20	2203-001603	C-CERAMIC,CHIP;220nF,10%,16V,X7R,TP,2012	7CR56	2007-000029	R-CHIP;00HM,5%,1/10W,DA,TP,2012	
.....7CC21	2203-000140	C-CERAMIC,CHIP;1.5nF,10%,50V,X7R,TP,1608	7DC18	2203-000181	C-CERAMIC,CHIP;100nF,+80-20%,25V,Y5V,TP	
.....7CC22	2203-000838	C-CERAMIC,CHIP;0.39nF,5%,50V,NPO,TP,1608	7DC20	2203-000181	C-CERAMIC,CHIP;100nF,+80-20%,25V,Y5V,TP	
.....7CC23	2203-000440	C-CERAMIC,CHIP;1nF,10%,50V,X7R,TP,1608,-	7DC21	2203-001083	C-CERAMIC,CHIP;0.005nF,0.1pF,50V,NPO,TP	
.....7CC24	2203-005590	C-CERAMIC,CHIP;330NF,10%,16V,X7R,TP,2012	7DC22	2203-001083	C-CERAMIC,CHIP;0.005nF,0.1pF,50V,NPO,TP	
.....7CC25	2203-005590	C-CERAMIC,CHIP;330NF,10%,16V,X7R,TP,2012	7DC23	2203-002494	C-CERAMIC,CHIP;470nF,10%,16V,X7R,TP,2012	
.....7CC26	2203-005590	C-CERAMIC,CHIP;330NF,10%,16V,X7R,TP,2012	7DC24	2203-001656	C-CERAMIC,CHIP;0.47nF,5%,50V,NPO,TP,1608	
.....7CC27	2203-005590	C-CERAMIC,CHIP;330NF,10%,16V,X7R,TP,2012	7DC25	2203-000440	C-CERAMIC,CHIP;1nF,10%,50V,X7R,TP,1608,-	
.....7CC29	2203-001603	C-CERAMIC,CHIP;220nF,10%,16V,X7R,TP,2012	7DC26	2203-000440	C-CERAMIC,CHIP;1nF,10%,50V,X7R,TP,1608,-	
.....7CC30	2203-000140	C-CERAMIC,CHIP;1.5nF,10%,50V,X7R,TP,1608	7DC28	2203-000181	C-CERAMIC,CHIP;100nF,+80-20%,25V,Y5V,TP	
.....7CC31	2203-000838	C-CERAMIC,CHIP;0.39nF,5%,50V,NPO,TP,1608	7DC29	2203-000440	C-CERAMIC,CHIP;1nF,10%,50V,X7R,TP,1608,-	
.....7CC33	2203-000975	C-CERAMIC,CHIP;47nF,10%,25V,X7R,TP,1608,-	7DC30	2203-000440	C-CERAMIC,CHIP;1nF,10%,50V,X7R,TP,1608,-	
.....7CC35	2203-005590	C-CERAMIC,CHIP;330NF,10%,16V,X7R,TP,2012	7DC31	2203-000440	C-CERAMIC,CHIP;1nF,10%,50V,X7R,TP,1608,-	
.....7CC36	2203-005590	C-CERAMIC,CHIP;330NF,10%,16V,X7R,TP,2012	7DC32	2203-000181	C-CERAMIC,CHIP;100nF,+80-20%,25V,Y5V,TP	
.....7CC37	2203-000681	C-CERAMIC,CHIP;0.027nF,5%,50V,NPO,TP,160	7DC33	2203-000181	C-CERAMIC,CHIP;100nF,+80-20%,25V,Y5V,TP	
.....7CC38	2203-000681	C-CERAMIC,CHIP;0.027nF,5%,50V,NPO,TP,160	7DC34	2203-000998	C-CERAMIC,CHIP;0.047nF,5%,50V,NPO,TP,160	
.....7CC39	2203-000681	C-CERAMIC,CHIP;0.027nF,5%,50V,NPO,TP,160	7DC35	2203-000181	C-CERAMIC,CHIP;100nF,+80-20%,25V,Y5V,TP	
.....7CC40	2203-000681	C-CERAMIC,CHIP;0.027nF,5%,50V,NPO,TP,160	7DC36	2203-000236	C-CERAMIC,CHIP;0.1nF,5%,50V,NPO,TP,1608	
.....7CC41	2203-000998	C-CERAMIC,CHIP;0.047nF,5%,50V,NPO,TP,160	7DC37	2203-000140	C-CERAMIC,CHIP;1.5nF,10%,50V,X7R,TP,1608	
.....7CC43	2203-000181	C-CERAMIC,CHIP;100nF,+80-20%,25V,Y5V,TP	7DC38	2203-000236	C-CERAMIC,CHIP;0.1nF,5%,50V,NPO,TP,1608	
.....7CC47	2203-000181	C-CERAMIC,CHIP;100nF,+80-20%,25V,Y5V,TP	7DD01	0401-000133	DIODE-SWITCHING;RLS4148,100V,200MA,SOD-8	
.....7CC48	2203-005384	C-CERAMIC,CHIP;4700nF,+80-20%,10V,Y5V,TP	7DD02	0401-000133	DIODE-SWITCHING;RLS4148,100V,200MA,SOD-8	
.....7CC49	2203-005384	C-CERAMIC,CHIP;4700nF,+80-20%,10V,Y5V,TP	7DD03	0403-001127	DIODE-ZENER;02DZ5.1,5.1,200mW,SOD-323,TP	
.....7CC50	2203-005384	C-CERAMIC,CHIP;4700nF,+80-20%,10V,Y5V,TP	7DD06	0403-001127	DIODE-ZENER;02DZ5.1,5.1,200mW,SOD-323,TP	
.....7CC51	2203-000783	C-CERAMIC,CHIP;0.33nF,5%,50V,NPO,TP,1608	7DD07	0401-000133	DIODE-SWITCHING;RLS4148,100V,200MA,SOD-8	
.....7CD01	0401-000133	DIODE-SWITCHING;RLS4148,100V,200MA,SOD-8	7DL05	3301-001324	CORE-FERRITE BEAD;AB,150HM,2X1.25X0.9MM,	
.....7CD02	0401-000133	DIODE-SWITCHING;RLS4148,100V,200MA,SOD-8	7DL06	3301-001324	CORE-FERRITE BEAD;AB,150HM,2X1.25X0.9MM,	
.....7CF01	2901-001120	FILTER-EMI SMD;25V,100mA,-,-,3.2x1.6x1,T	7DQ01	0501-000280	TR-SMALL SIGNAL;KSA1182,PNP,150mW,SOT-23	
.....7CF02	2901-001120	FILTER-EMI SMD;25V,100mA,-,-,3.2x1.6x1,T	7DR16	2007-000074	R-CHIP;100ohm,5%,1/16W,DA,TP,1608	
.....7CL03	3301-001186	CORE-FERRITE BEAD;AB,600ohm,3.2x1.6x1.3m	7DR17	2007-000074	R-CHIP;100ohm,5%,1/16W,DA,TP,1608	
.....7CL05	3301-001324	CORE-FERRITE BEAD;AB,150HM,2X1.25X0.9MM,	7DR18	2007-000101	R-CHIP;82Kohm,5%,1/16W,DA,TP,1608	
.....7CL06	3301-001324	CORE-FERRITE BEAD;AB,150HM,2X1.25X0.9MM,	7DR19	2007-000072	R-CHIP;47ohm,5%,1/16W,DA,TP,1608	
.....7CL07	3301-001324	CORE-FERRITE BEAD;AB,150HM,2X1.25X0.9MM,	7DR20	2007-000081	R-CHIP;2.7Kohm,5%,1/16W,DA,TP,1608	
.....7CQ01	0501-000344	TR-SMALL SIGNAL;KSC1623-G,NPN,200mW,SOT-	7DR22	2007-000084	R-CHIP;4.7Kohm,5%,1/16W,DA,TP,1608	
.....7CQ02	0501-000344	TR-SMALL SIGNAL;KSC1623-G,NPN,200mW,SOT-	7DR23	2007-000097	R-CHIP;47Kohm,5%,1/16W,DA,TP,1608	
.....7CQ03	0501-000344	TR-SMALL SIGNAL;KSC1623-G,NPN,200mW,SOT-	7DR24	2007-000100	R-CHIP;68Kohm,5%,1/16W,DA,TP,1608	
.....7CQ04	0501-000344	TR-SMALL SIGNAL;KSC1623-G,NPN,200mW,SOT-	7DR25	2007-000129	R-CHIP;27Kohm,5%,1/16W,DA,TP,1608	
.....7CQ05	0501-000344	TR-SMALL SIGNAL;KSC1623-G,NPN,200mW,SOT-	7DR26	2007-000090	R-CHIP;10KOHM,5%,1/16W,DA,TP,1608	
.....7CR01	2007-001166	R-CHIP;750HM,5%,1/10W,DA,TP,2012	7DR27	2007-000127	R-CHIP;9.1Kohm,5%,1/16W,DA,TP,1608	
.....7CR02	2007-000028	R-CHIP;390HM,5%,1/10W,DA,TP,2012	7DR29	2007-000078	R-CHIP;1Kohm,5%,1/16W,DA,TP,1608	
.....7CR03	2007-001166	R-CHIP;750HM,5%,1/10W,DA,TP,2012	7DR30	2007-000078	R-CHIP;1Kohm,5%,1/16W,DA,TP,1608	
.....7CR04	2007-000028	R-CHIP;390HM,5%,1/10W,DA,TP,2012	7DR31	2007-000078	R-CHIP;1Kohm,5%,1/16W,DA,TP,1608	
.....7CR05	2007-001167	R-CHIP;75ohm,5%,1/16W,DA,TP,1608	7DR32	2007-000118	R-CHIP;390ohm,5%,1/16W,DA,TP,1608	
.....7CR06	2007-001167	R-CHIP;75ohm,5%,1/16W,DA,TP,1608	7DR33	2007-000078	R-CHIP;1Kohm,5%,1/16W,DA,TP,1608	
.....7CR07	2007-001167	R-CHIP;75ohm,5%,1/16W,DA,TP,1608	7DR34	2007-000074	R-CHIP;100ohm,5%,1/16W,DA,TP,1608	
.....7CR08	2007-001167	R-CHIP;75ohm,5%,1/16W,DA,TP,1608	7DR35	2007-000084	R-CHIP;4.7Kohm,5%,1/16W,DA,TP,1608	
.....7CR09	2007-000074	R-CHIP;100ohm,5%,1/16W,DA,TP,1608	7DR36	2007-000077	R-CHIP;470ohm,5%,1/16W,DA,TP,1608	
.....7CR10	2007-000074	R-CHIP;100ohm,5%,1/16W,DA,TP,1608	7DR37	2007-000084	R-CHIP;4.7Kohm,5%,1/16W,DA,TP,1608	
.....7CR12	2007-000072	R-CHIP;47ohm,5%,1/16W,DA,TP,1608	7DR38	2007-000079	R-CHIP;1.8Kohm,5%,1/16W,DA,TP,1608	
.....7CR13	2007-000072	R-CHIP;47ohm,5%,1/16W,DA,TP,1608	7DR40	2007-000074	R-CHIP;100ohm,5%,1/16W,DA,TP,1608	
.....7CR14	2007-000072	R-CHIP;47ohm,5%,1/16W,DA,TP,1608	7DR41	2007-000074	R-CHIP;100ohm,5%,1/16W,DA,TP,1608	
.....7CR15	2007-000029	R-CHIP;00HM,5%,1/10W,DA,TP,2012	7DR44	2007-000084	R-CHIP;4.7Kohm,5%,1/16W,DA,TP,1608	
.....7CR16	2703-000274	INDUCTOR-SMD;2.2uH,10%,1.25x2x0.85mm	7DR46	2007-000124	R-CHIP;2.2Kohm,5%,1/16W,DA,TP,1608	
.....7CR20	2007-000074	R-CHIP;100ohm,5%,1/16W,DA,TP,1608	7IC01	1204-001598	IC-VIDEO PROCESS;VPC3230D-B2,QFP,80P,-,P	
.....7CR22	2007-000074	R-CHIP;100ohm,5%,1/16W,DA,TP,1608	7IC02	1204-001623	IC-VERTICAL PROCESS;SDA9400,QFP,64P,-,P	
.....7CR25	2007-001166	R-CHIP;750HM,5%,1/10W,DA,TP,2012	7IC03	1002-001045	IC-D/A CONVERTER;9280,8BIT,PLCC,68P,-,-	
.....7CR27	2007-000074	R-CHIP;100ohm,5%,1/16W,DA,TP,1608	7IC06	1204-001372	IC-HOR./VER.PROCESS;SDA9361,QFP,44P,-,P	
.....7CR28	2007-000078	R-CHIP;1Kohm,5%,1/16W,DA,TP,1608	7IC07	1204-001550	IC-VIDEO PROCESS;CXA2101AQ,QFP,80P,-,PLA	
.....7CR29	2007-000124	R-CHIP;2.2Kohm,5%,1/16W,DA,TP,1608	7IC11	1203-001419	IC-VOLTAGE REGULATOR;4931,TO-252,3P,6.6x	
.....7CR30	2007-000119	R-CHIP;560ohm,5%,1/16W,DA,TP,1608	7IC13	1203-001419	IC-VOLTAGE REGULATOR;4931,TO-252,3P,6.6x	
.....7CR31	2007-000643	R-CHIP;270ohm,5%,1/16W,DA,TP,1608	7PC01	2203-001603	C-CERAMIC,CHIP;220nF,10%,16V,X7R,TP,2012	
.....7CR32	2007-000290	R-CHIP;100OHM,5%,1/10W,DA,TP,2012	7PC02	2203-000140	C-CERAMIC,CHIP;1.5nF,10%,50V,X7R,TP,1608	
.....7CR33	2007-000290	R-CHIP;100OHM,5%,1/10W,DA,TP,2012	7PC03	2203-000838	C-CERAMIC,CHIP;0.39nF,5%,50V,NPO,TP,1608	
.....7CR35	2007-000090	R-CHIP;10KOHM,5%,1/16W,DA,TP,1608	7PC04	2203-000181	C-CERAMIC,CHIP;100nF,+80-20%,25V,Y5V,TP	
.....7CR37	2007-000074	R-CHIP;100ohm,5%,1/16W,DA,TP,1608	7PC05	2203-000975	C-CERAMIC,CHIP;47nF,10%,25V,X7R,TP,1608,	
.....7CR38	2007-000074	R-CHIP;100ohm,5%,1/16W,DA,TP,1608	7PC06	2203-000140	C-CERAMIC,CHIP;1.5nF,10%,50V,X7R,TP,1608	
.....7CR45	2007-000074	R-CHIP;100ohm,5%,1/16W,DA,TP,1608	7PC07	2203-000181	C-CERAMIC,CHIP;100nF,+80-20%,25V,Y5V,TP	
.....7CR46	2007-000078	R-CHIP;1Kohm,5%,1/16W,DA,TP,1608	7PC08	2203-000181	C-CERAMIC,CHIP;100nF,+80-20%,25V,Y5V,TP	

Loc. No.	Code No.	Description ; Specification	Remark	Loc. No.	Code No.	Description ; Specification	Remark
.....7PC09	2203-000181	C-CERAMIC,CHIP;100nF,+80-20%,25V,Y5V,TP,	7SC33	2203-000552	C-CERAMIC,CHIP;0.02nF,5%,50V,NPO,TP,1608	
.....7PC10	2203-000181	C-CERAMIC,CHIP;100nF,+80-20%,25V,Y5V,TP,	7SC34	2203-000181	C-CERAMIC,CHIP;100nF,+80-20%,25V,Y5V,TP,	
.....7PC11	2203-000181	C-CERAMIC,CHIP;100nF,+80-20%,25V,Y5V,TP,	7SC35	2203-000181	C-CERAMIC,CHIP;100nF,+80-20%,25V,Y5V,TP,	
.....7PC12	2203-001646	C-CERAMIC,CHIP;3pF,0.5pF,50V,NPO,TP,2012	7SC37	2203-000181	C-CERAMIC,CHIP;100nF,+80-20%,25V,Y5V,TP,	
.....7PC13	2203-001646	C-CERAMIC,CHIP;3pF,0.5pF,50V,NPO,TP,2012	7SC38	2203-000552	C-CERAMIC,CHIP;0.02nF,5%,50V,NPO,TP,1608	
.....7PC15	2203-000975	C-CERAMIC,CHIP;47nF,10%,25V,X7R,TP,1608,	7SC52	2203-000181	C-CERAMIC,CHIP;100nF,+80-20%,25V,Y5V,TP,	
.....7PC17	2203-001603	C-CERAMIC,CHIP;220nF,10%,16V,X7R,TP,2012	7SC54	2203-000181	C-CERAMIC,CHIP;100nF,+80-20%,25V,Y5V,TP,	
.....7PC18	2203-000140	C-CERAMIC,CHIP;1.5nF,10%,50V,X7R,TP,1608	7SF01	2901-001120	FILTER-EMI SMD;25V,100mA,-,3.2x1.6x1,T	
.....7PC19	2203-000838	C-CERAMIC,CHIP;0.39nF,5%,50V,NPO,TP,1608	7SL01	3301-001324	CORE-FERRITE BEAD;AB,150HM,2X1.25X0.9MM,	
.....7PC20	2203-000440	C-CERAMIC,CHIP;1nF,10%,50V,X7R,TP,1608,-	7SL02	3301-001324	CORE-FERRITE BEAD;AB,150HM,2X1.25X0.9MM,	
.....7PC21	2203-005590	C-CERAMIC,CHIP;330nF,10%,16V,X7R,TP,2012	7SL03	3301-001324	CORE-FERRITE BEAD;AB,150HM,2X1.25X0.9MM,	
.....7PC22	2203-005590	C-CERAMIC,CHIP;330nF,10%,16V,X7R,TP,2012	7SL04	3301-001324	CORE-FERRITE BEAD;AB,150HM,2X1.25X0.9MM,	
.....7PC24	2203-001603	C-CERAMIC,CHIP;220nF,10%,16V,X7R,TP,2012	7SL05	3301-001324	CORE-FERRITE BEAD;AB,150HM,2X1.25X0.9MM,	
.....7PC25	2203-000140	C-CERAMIC,CHIP;1.5nF,10%,50V,X7R,TP,1608	7SL06	3301-001324	CORE-FERRITE BEAD;AB,150HM,2X1.25X0.9MM,	
.....7PC26	2203-000838	C-CERAMIC,CHIP;0.39nF,5%,50V,NPO,TP,1608	7SL08	3301-001324	CORE-FERRITE BEAD;AB,150HM,2X1.25X0.9MM,	
.....7PC28	2203-000975	C-CERAMIC,CHIP;47nF,10%,25V,X7R,TP,1608,	7SL09	3301-001186	CORE-FERRITE BEAD;AB,600ohm,3.2x1.6x1.3m	
.....7PC29	2203-000181	C-CERAMIC,CHIP;100nF,+80-20%,25V,Y5V,TP,	7SR01	2007-000074	R-CHIP;100ohm,5%,1/16W,DA,TP,1608	
.....7PC30	2203-000181	C-CERAMIC,CHIP;100nF,+80-20%,25V,Y5V,TP,	7SR02	2007-000074	R-CHIP;100ohm,5%,1/16W,DA,TP,1608	
.....7PC31	2203-000181	C-CERAMIC,CHIP;100nF,+80-20%,25V,Y5V,TP,	7SR03	2007-000074	R-CHIP;100ohm,5%,1/16W,DA,TP,1608	
.....7PC32	2203-000181	C-CERAMIC,CHIP;100nF,+80-20%,25V,Y5V,TP,	7SR04	2011-000585	R-NETWORK;47ohm,5%,63mW,L,CHIP,8P,TP	
.....7PC33	2203-000181	C-CERAMIC,CHIP;100nF,+80-20%,25V,Y5V,TP,	7SR05	2011-000585	R-NETWORK;47ohm,5%,63mW,L,CHIP,8P,TP	
.....7PC34	2203-000181	C-CERAMIC,CHIP;100nF,+80-20%,25V,Y5V,TP,	7SR06	2011-000585	R-NETWORK;47ohm,5%,63mW,L,CHIP,8P,TP	
.....7PC35	2203-000181	C-CERAMIC,CHIP;100nF,+80-20%,25V,Y5V,TP,	7SR07	2011-000585	R-NETWORK;47ohm,5%,63mW,L,CHIP,8P,TP	
.....7PC36	2203-000181	C-CERAMIC,CHIP;100nF,+80-20%,25V,Y5V,TP,	7SR08	2007-000074	R-CHIP;100ohm,5%,1/16W,DA,TP,1608	
.....7PC37	2203-000181	C-CERAMIC,CHIP;100nF,+80-20%,25V,Y5V,TP,	7SR09	2007-000074	R-CHIP;100ohm,5%,1/16W,DA,TP,1608	
.....7PC38	2203-000181	C-CERAMIC,CHIP;100nF,+80-20%,25V,Y5V,TP,	7SR11	2007-000074	R-CHIP;100ohm,5%,1/16W,DA,TP,1608	
.....7PC39	2203-000181	C-CERAMIC,CHIP;100nF,+80-20%,25V,Y5V,TP,	7SR12	2007-001056	R-CHIP;6.2Kohm,5%,1/16W,DA,TP,1608	
.....7PC40	2203-000181	C-CERAMIC,CHIP;100nF,+80-20%,25V,Y5V,TP,	7SR13	2007-000402	R-CHIP;150ohm,5%,1/16W,DA,TP,1608	
.....7PC42	2203-000181	C-CERAMIC,CHIP;100nF,+80-20%,25V,Y5V,TP,	7SR14	2007-001167	R-CHIP;75ohm,5%,1/16W,DA,TP,1608	
.....7PC47	2203-000236	C-CERAMIC,CHIP;0.1nF,5%,50V,NPO,TP,1608	7SR15	2007-001167	R-CHIP;75ohm,5%,1/16W,DA,TP,1608	
.....7PC48	2203-000236	C-CERAMIC,CHIP;0.1nF,5%,50V,NPO,TP,1608	7SR16	2007-000402	R-CHIP;150ohm,5%,1/16W,DA,TP,1608	
.....7PC49	2203-000236	C-CERAMIC,CHIP;0.1nF,5%,50V,NPO,TP,1608	7SR17	2007-001167	R-CHIP;75ohm,5%,1/16W,DA,TP,1608	
.....7PC52	2203-001603	C-CERAMIC,CHIP;220nF,10%,16V,X7R,TP,2012	7SR18	2007-001167	R-CHIP;75ohm,5%,1/16W,DA,TP,1608	
.....7PC53	2203-000181	C-CERAMIC,CHIP;100nF,+80-20%,25V,Y5V,TP,	7SR19	2007-000381	R-CHIP;13Kohm,5%,1/16W,DA,TP,1608	
.....7PC54	2203-001603	C-CERAMIC,CHIP;220nF,10%,16V,X7R,TP,2012	7SR21	2007-000402	R-CHIP;150ohm,5%,1/16W,DA,TP,1608	
.....7PC55	2203-005590	C-CERAMIC,CHIP;330nF,10%,16V,X7R,TP,2012	7SR22	2007-001167	R-CHIP;75ohm,5%,1/16W,DA,TP,1608	
.....7PC56	2203-005590	C-CERAMIC,CHIP;330nF,10%,16V,X7R,TP,2012	7SR23	2007-001167	R-CHIP;75ohm,5%,1/16W,DA,TP,1608	
.....7PC57	2203-005590	C-CERAMIC,CHIP;330nF,10%,16V,X7R,TP,2012	7SR24	2007-000090	R-CHIP;10KOHM,5%,1/16W,DA,TP,1608	
.....7PC58	2203-005590	C-CERAMIC,CHIP;330nF,10%,16V,X7R,TP,2012	7SR25	2007-000401	R-CHIP;150OHM,5%,1/10W,DA,TP,2012	
.....7PC78	2203-000181	C-CERAMIC,CHIP;100nF,+80-20%,25V,Y5V,TP,	7YC01	2203-002494	C-CERAMIC,CHIP;470nF,10%,16V,X7R,TP,2012	
.....7PCB	AA41-00418C	PCB-DW;SP55W3HR,FR-4,4L,C,1.6T,245X245,J	S.N.A7YC02	2203-002494	C-CERAMIC,CHIP;470nF,10%,16V,X7R,TP,2012	
.....7PIC01	1204-001159	IC-VIDEO PROCESS;VPC3230D-B2,QFP,80P,-P	7YC03	2203-002494	C-CERAMIC,CHIP;470nF,10%,16V,X7R,TP,2012	
.....7PIC02	1109-001144	IC-FIFO;81V04160,2x256Kx8Bit,TQFP,100P,1	7YC04	2203-002494	C-CERAMIC,CHIP;470nF,10%,16V,X7R,TP,2012	
.....7PIC04	1203-001419	IC-VOLTAGE REGULATOR;4931,TO-252,3P,6.6x	7YC05	2203-002494	C-CERAMIC,CHIP;470nF,10%,16V,X7R,TP,2012	
.....7PL01	3301-001324	CORE-FERRITE BEAD;AB,150HM,2X1.25X0.9MM,	7YC06	2203-002494	C-CERAMIC,CHIP;470nF,10%,16V,X7R,TP,2012	
.....7PL02	3301-001324	CORE-FERRITE BEAD;AB,150HM,2X1.25X0.9MM,	7YC07	2203-002494	C-CERAMIC,CHIP;470nF,10%,16V,X7R,TP,2012	
.....7PR01	2007-001166	R-CHIP;750HM,5%,1/10W,DA,TP,2012	7YC08	2203-002494	C-CERAMIC,CHIP;470nF,10%,16V,X7R,TP,2012	
.....7PR02	2007-001166	R-CHIP;750HM,5%,1/10W,DA,TP,2012	7YC09	2203-002494	C-CERAMIC,CHIP;470nF,10%,16V,X7R,TP,2012	
.....7PR03	2007-000074	R-CHIP;100ohm,5%,1/16W,DA,TP,1608	7YC10	2203-002494	C-CERAMIC,CHIP;470nF,10%,16V,X7R,TP,2012	
.....7PR04	2007-000074	R-CHIP;100ohm,5%,1/16W,DA,TP,1608	7YC11	2203-002494	C-CERAMIC,CHIP;470nF,10%,16V,X7R,TP,2012	
.....7PR06	2007-000072	R-CHIP;47ohm,5%,1/16W,DA,TP,1608	7YC12	2203-002494	C-CERAMIC,CHIP;470nF,10%,16V,X7R,TP,2012	
.....7PR07	2007-000072	R-CHIP;47ohm,5%,1/16W,DA,TP,1608	7YC13	2203-002494	C-CERAMIC,CHIP;470nF,10%,16V,X7R,TP,2012	
.....7PR08	2007-000072	R-CHIP;47ohm,5%,1/16W,DA,TP,1608	7YC14	2203-002494	C-CERAMIC,CHIP;470nF,10%,16V,X7R,TP,2012	
.....7PR11	2007-000029	R-CHIP;00HM,5%,1/10W,DA,TP,2012	7YC15	2203-002494	C-CERAMIC,CHIP;470nF,10%,16V,X7R,TP,2012	
.....7PR12	2007-000029	R-CHIP;00HM,5%,1/10W,DA,TP,2012	7YC16	2203-002494	C-CERAMIC,CHIP;470nF,10%,16V,X7R,TP,2012	
.....7PR19	2007-000029	R-CHIP;00HM,5%,1/10W,DA,TP,2012	7YC17	2203-002494	C-CERAMIC,CHIP;470nF,10%,16V,X7R,TP,2012	
.....7PR20	2007-000290	R-CHIP;1000HM,5%,1/10W,DA,TP,2012	7YC18	2203-002494	C-CERAMIC,CHIP;470nF,10%,16V,X7R,TP,2012	
.....7SC02	2203-000181	C-CERAMIC,CHIP;100nF,+80-20%,25V,Y5V,TP,	7YC19	2203-002494	C-CERAMIC,CHIP;470nF,10%,16V,X7R,TP,2012	
.....7SC04	2203-000181	C-CERAMIC,CHIP;100nF,+80-20%,25V,Y5V,TP,	7YC20	2203-002494	C-CERAMIC,CHIP;470nF,10%,16V,X7R,TP,2012	
.....7SC05	2203-000181	C-CERAMIC,CHIP;100nF,+80-20%,25V,Y5V,TP,	7YC22	2203-000181	C-CERAMIC,CHIP;100nF,+80-20%,25V,Y5V,TP,	
.....7SC06	2203-000181	C-CERAMIC,CHIP;100nF,+80-20%,25V,Y5V,TP,	7YC23	2203-000257	C-CERAMIC,CHIP;10nF,10%,50V,X7R,TP,1608	
.....7SC07	2203-000181	C-CERAMIC,CHIP;100nF,+80-20%,25V,Y5V,TP,	7YC24	2203-000181	C-CERAMIC,CHIP;100nF,+80-20%,25V,Y5V,TP,	
.....7SC08	2203-000181	C-CERAMIC,CHIP;100nF,+80-20%,25V,Y5V,TP,	7YC25	2203-000181	C-CERAMIC,CHIP;100nF,+80-20%,25V,Y5V,TP,	
.....7SC09	2203-000181	C-CERAMIC,CHIP;100nF,+80-20%,25V,Y5V,TP,	7YC27	2203-001603	C-CERAMIC,CHIP;220nF,10%,16V,X7R,TP,2012	
.....7SC11	2203-000181	C-CERAMIC,CHIP;100nF,+80-20%,25V,Y5V,TP,	7YC28	2203-001603	C-CERAMIC,CHIP;220nF,10%,16V,X7R,TP,2012	
.....7SC12	2203-000181	C-CERAMIC,CHIP;100nF,+80-20%,25V,Y5V,TP,	7YC29	2203-001603	C-CERAMIC,CHIP;220nF,10%,16V,X7R,TP,2012	
.....7SC13	2203-000181	C-CERAMIC,CHIP;100nF,+80-20%,25V,Y5V,TP,	7YC30	2203-002494	C-CERAMIC,CHIP;470nF,10%,16V,X7R,TP,2012	
.....7SC14	2203-000181	C-CERAMIC,CHIP;100nF,+80-20%,25V,Y5V,TP,	7YC32	2203-000257	C-CERAMIC,CHIP;10nF,10%,50V,X7R,TP,1608	
.....7SC21	2203-000181	C-CERAMIC,CHIP;100nF,+80-20%,25V,Y5V,TP,	7YC33	2203-000257	C-CERAMIC,CHIP;10nF,10%,50V,X7R,TP,1608	
.....7SC23	2203-000181	C-CERAMIC,CHIP;100nF,+80-20%,25V,Y5V,TP,	7YC34	2203-000257	C-CERAMIC,CHIP;10nF,10%,50V,X7R,TP,1608	
.....7SC24	2203-000181	C-CERAMIC,CHIP;100nF,+80-20%,25V,Y5V,TP,	7YC35	2203-000257	C-CERAMIC,CHIP;10nF,10%,50V,X7R,TP,1608	
.....7SC25	2203-000140	C-CERAMIC,CHIP;1.5nF,10%,50V,X7R,TP,1608	7YC36	2203-000257	C-CERAMIC,CHIP;10nF,10%,50V,X7R,TP,1608	
.....7SC26	2203-000236	C-CERAMIC,CHIP;0.1nF,5%,50V,NPO,TP,1608	7YC37	2203-000257	C-CERAMIC,CHIP;10nF,10%,50V,X7R,TP,1608	
.....7SC27	2203-000181	C-CERAMIC,CHIP;100nF,+80-20%,25V,Y5V,TP,	7YC39	2203-000998	C-CERAMIC,CHIP;0.047nF,5%,50V,NPO,TP,160	
.....7SC28	2203-000552	C-CERAMIC,CHIP;0.02nF,5%,50V,NPO,TP,1608	7YC40	2203-000998	C-CERAMIC,CHIP;0.047nF,5%,50V,NPO,TP,160	
.....7SC29	2203-000181	C-CERAMIC,CHIP;100nF,+80-20%,25V,Y5V,TP,	7YC45	2203-002494	C-CERAMIC,CHIP;470nF,10%,16V,X7R,TP,2012	
.....7SC32	2203-000181	C-CERAMIC,CHIP;100nF,+80-20%,25V,Y5V,TP,	7YC46	2203-000257	C-CERAMIC,CHIP;10nF,10%,50V,X7R,TP,1608	

Loc. No.	Code No.	Description ; Specification	Remark	Loc. No.	Code No.	Description ; Specification	Remark	
.....7YC47	2203-000257	C-CERAMIC,CHIP;10nF,10%,50V,X7R,TP,1608	7YR63	2007-000074	R-CHIP;100ohm,5%,1/16W,DA,TP,1608		
.....7YC48	2203-000257	C-CERAMIC,CHIP;10nF,10%,50V,X7R,TP,1608	7YR64	2007-000074	R-CHIP;100ohm,5%,1/16W,DA,TP,1608		
.....7YC49	2203-000181	C-CERAMIC,CHIP;100nF,+80-20%,25V,Y5V,TP,	7YR65	2007-000583	R-CHIP;22Kohm,1%,1/16W,DA,TP,1608		
.....7YC50	2203-002494	C-CERAMIC,CHIP;470nF,10%,16V,X7R,TP,2012	7YR77	2007-000210	R-CHIP;1.1KOHM,5%,1/10W,DA,TP,2012		
.....7YC51	2203-000236	C-CERAMIC,CHIP;0.1nF,5%,50V,NP0,TP,1608	7YR78	2007-000210	R-CHIP;1.1KOHM,5%,1/10W,DA,TP,2012		
.....7YC52	2203-001083	C-CERAMIC,CHIP;0.005nF,0.1pF,50V,NP0,TP,	7YR79	2007-000210	R-CHIP;1.1KOHM,5%,1/10W,DA,TP,2012		
.....7YC53	2203-000181	C-CERAMIC,CHIP;100nF,+80-20%,25V,Y5V,TP,	7YR83	2007-000074	R-CHIP;100ohm,5%,1/16W,DA,TP,1608		
.....7YC54	2203-000181	C-CERAMIC,CHIP;100nF,+80-20%,25V,Y5V,TP,	7YR85	2007-000074	R-CHIP;100ohm,5%,1/16W,DA,TP,1608		
.....7YC55	2203-000181	C-CERAMIC,CHIP;100nF,+80-20%,25V,Y5V,TP,	7YR86	2007-000074	R-CHIP;100ohm,5%,1/16W,DA,TP,1608		
.....7YC56	2203-000181	C-CERAMIC,CHIP;100nF,+80-20%,25V,Y5V,TP,	7YR88	2007-000078	R-CHIP;1Kohm,5%,1/16W,DA,TP,1608		
.....7YC58	2203-000181	C-CERAMIC,CHIP;100nF,+80-20%,25V,Y5V,TP,	7YR89	2007-000078	R-CHIP;1Kohm,5%,1/16W,DA,TP,1608		
.....7YC59	2203-000181	C-CERAMIC,CHIP;100nF,+80-20%,25V,Y5V,TP,	7YR90	2007-000074	R-CHIP;100ohm,5%,1/16W,DA,TP,1608		
.....7YC60	2203-000181	C-CERAMIC,CHIP;100nF,+80-20%,25V,Y5V,TP,	7YR91	2007-000074	R-CHIP;100ohm,5%,1/16W,DA,TP,1608		
.....7YC63	2203-000236	C-CERAMIC,CHIP;0.1nF,5%,50V,NP0,TP,1608	7YR92	2007-000074	R-CHIP;100ohm,5%,1/16W,DA,TP,1608		
.....7YC66	2203-000815	C-CERAMIC,CHIP;0.033nF,5%,50V,NP0,TP,160	7YR98	2007-000084	R-CHIP;4.7Kohm,5%,1/16W,DA,TP,1608		
.....7YD01	0403-000620	DIODE-ZENER;RLZ5.6B,5.6,500mW,LL-34,TP	7YR99	2007-000075	R-CHIP;220ohm,5%,1/16W,DA,TP,1608		
.....7YD02	0403-000620	DIODE-ZENER;RLZ5.6B,5.6,500mW,LL-34,TP	5	0202-000187	SOLDER-WIRE FLUX;-RS60S,D1,2,63Sn/37Pb	S.N.A	
.....7YD03	0403-001117	DIODE-ZENER;RLZ12B,5%,500mW,LL-34,TP	5	0202-001167	SOLDER-CREAM;RX3603-2330HO,S45A,PASTE,SN	S.N.A	
.....7YD04	0403-001117	DIODE-ZENER;RLZ12B,5%,500mW,LL-34,TP	3	AA94-07576A	ASSY PCB POWER;PCL545R,P54A,53		
.....7YD05	0403-001117	DIODE-ZENER;RLZ12B,5%,500mW,LL-34,TP	4	C812	2401-000701	C-AL;2200uF,20%,250V,GP,-,35x70mm,1	
.....7YF01	2901-001120	FILTER-EMI SMD;25V,100mA,-,-,3.2x1.6x1,T	4	C813	2401-000701	C-AL;2200uF,20%,250V,GP,-,35x70mm,1	
.....7YF02	2901-001120	FILTER-EMI SMD;25V,100mA,-,-,3.2x1.6x1,T	4	C831	2306-000323	C-FILM,MPPF;2.2nF,5%,1.6KV,TP,28.5x15.5x	
.....7YF03	2901-001120	FILTER-EMI SMD;25V,100mA,-,-,3.2x1.6x1,T	4	C862	2401-003076	C-AL;3300uF,20%,50V,WBPBK,18x35.5mm	
.....7YF04	2901-001120	FILTER-EMI SMD;25V,100mA,-,-,3.2x1.6x1,T	4	C865	2401-000737	C-AL;2200uF,20%,50V,GP,TP,18x35.5,7	
.....7YF05	2901-001120	FILTER-EMI SMD;25V,100mA,-,-,3.2x1.6x1,T	4	C868	2401-000737	C-AL;2200uF,20%,50V,GP,TP,18x35.5,7	
.....7YL01	3301-001186	CORE-FERRITE BEAD;AB,600ohm,3.2x1.6x1.3m	4	C875	2401-002251	C-AL;470uF,20%,200V,GPBK,25x40mm,1	
.....7YQ01	0501-000280	TR-SMALL SIGNAL;KSA1182,PNP,150mW,SOT-23	4	CN802	AA39-00116A	LEAD CONNECTOR-ASSY;-1,2P,YBNH250-12,3515	
.....7YQ02	0501-000280	TR-SMALL SIGNAL;KSA1182,PNP,150mW,SOT-23	4	CN803	AA39-00116A	LEAD CONNECTOR-ASSY;-1,2P,YBNH250-12,3515	
.....7YQ03	0501-000280	TR-SMALL SIGNAL;KSA1182,PNP,150mW,SOT-23		△	CX801S	2306-000112	C-FILM,MPPF;100nF,20%,250V,BK,-,15mm	
.....7YQ06	0501-000344	TR-SMALL SIGNAL;KSC1623-G,NPN,200mW,SOT-		△	CX802S	2306-000112	C-FILM,MPPF;100nF,20%,250V,BK,-,15mm	
.....7YQ08	0501-000280	TR-SMALL SIGNAL;KSA1182,PNP,150mW,SOT-23		△	CY801S	2201-000987	C-CERAMIC,DISC;2.2nF,20%,400V,Y5U,TP,12.	
.....7YQ11	0501-000344	TR-SMALL SIGNAL;KSC1623-G,NPN,200mW,SOT-		△	CY802S	2201-000987	C-CERAMIC,DISC;2.2nF,20%,400V,Y5U,TP,12.	
.....7YQ12	0501-000344	TR-SMALL SIGNAL;KSC1623-G,NPN,200mW,SOT-		△	D801S	AA96-50310A	ASSY H/S;-POWER,AA62-30150C,RBV606,-	S.N.A
.....7YR05	2007-000074	R-CHIP;100ohm,5%,1/16W,DA,TP,1608	5		AA62-30150C	HEAT SINK-ES;-A6063 EXTR,-,WHT,40(24.5)	S.N.A
.....7YR06	2007-000074	R-CHIP;100ohm,5%,1/16W,DA,TP,1608	5		AA60-30003A	WASHER;T1.5,SBHG-1	S.N.A
.....7YR07	2007-000074	R-CHIP;100ohm,5%,1/16W,DA,TP,1608	5		6003-000333	SCREW-TAPTITE;RH,+2S,M3,L10,ZPC(YEL),SW	S.N.A
.....7YR08	2007-000074	R-CHIP;100ohm,5%,1/16W,DA,TP,1608	5		0402-000549	DIODE-BRIDGE;RBV606,600V,6A,-,BK	
.....7YR09	2007-000074	R-CHIP;100ohm,5%,1/16W,DA,TP,1608	5		0205-000129	GREASE-SILICON;SC102,JAPAN	S.N.A
.....7YR10	2007-000074	R-CHIP;100ohm,5%,1/16W,DA,TP,1608		△	D810	0402-000250	DIODE-RECTIFIER;RG4C,1000V,1A,-	
.....7YR100	2007-000074	R-CHIP;100ohm,5%,1/16W,DA,TP,1608		△	D854	AA96-50153C	ASSY H/S;-AA62-30013D,FLM-G12S,-	S.N.A
.....7YR101	2007-000074	R-CHIP;100ohm,5%,1/16W,DA,TP,1608	5		0402-000233	DIODE-RECTIFIER;FML-G12S,200V,5A,-	
.....7YR102	2007-000074	R-CHIP;100ohm,5%,1/16W,DA,TP,1608	5		6003-000333	SCREW-TAPTITE;RH,+2S,M3,L10,ZPC(YEL),SW	S.N.A
.....7YR103	2007-001167	R-CHIP;75ohm,5%,1/16W,DA,TP,1608	5		AA62-30013D	HEAT SINK-ES;-A6063 EXTR,-,55(21) T02	S.N.A
.....7YR104	2007-000402	R-CHIP;150ohm,5%,1/16W,DA,TP,1608		△	D855	AA96-50153C	ASSY H/S;-AA62-30013D,FLM-G12S,-	S.N.A
.....7YR105	2007-000075	R-CHIP;220ohm,5%,1/16W,DA,TP,1608		△	D856	AA96-50153C	ASSY H/S;-AA62-30013D,FLM-G12S,-	S.N.A
.....7YR11	2007-000074	R-CHIP;100ohm,5%,1/16W,DA,TP,1608		△	D857	AA96-50153C	ASSY H/S;-AA62-30013D,FLM-G12S,-	S.N.A
.....7YR12	2007-000074	R-CHIP;100ohm,5%,1/16W,DA,TP,1608		△	D858	AA96-50153C	ASSY H/S;-AA62-30013D,FLM-G12S,-	S.N.A
.....7YR14	2007-000072	R-CHIP;47ohm,5%,1/16W,DA,TP,1608		△	D859	AA96-50153A	ASSY H/S;-TR,AA62-30013D,FMG-G26S,-	S.N.A
.....7YR15	2007-000939	R-CHIP;47Kohm,1%,1/16W,DA,TP,1608	5		0402-000231	DIODE-RECTIFIER;FMG-G26S,600V,4A,TO-220F	
.....7YR18	2007-000074	R-CHIP;100ohm,5%,1/16W,DA,TP,1608	5		6003-000333	SCREW-TAPTITE;RH,+2S,M3,L10,ZPC(YEL),SW	S.N.A
.....7YR23	2007-000078	R-CHIP;1Kohm,5%,1/16W,DA,TP,1608	5		AA62-30013D	HEAT SINK-ES;-A6063 EXTR,-,55(21) T02	S.N.A
.....7YR24	2007-000078	R-CHIP;1Kohm,5%,1/16W,DA,TP,1608		△	FD802S	3601-000300	FUSE-CARTRIDGE;250V,6.3A,SLOW-BLOW,GLASS	
.....7YR25	2007-000074	R-CHIP;100ohm,5%,1/16W,DA,TP,1608		△	FD804S	3601-000300	FUSE-CARTRIDGE;250V,6.3A,SLOW-BLOW,GLASS	
.....7YR26	2007-000074	R-CHIP;100ohm,5%,1/16W,DA,TP,1608		△	FD855S	3601-000300	FUSE-CARTRIDGE;250V,6.3A,SLOW-BLOW,GLASS	
.....7YR27	2007-000074	R-CHIP;100ohm,5%,1/16W,DA,TP,1608		△	FP801S	3601-000300	FUSE-CARTRIDGE;250V,6.3A,SLOW-BLOW,GLASS	
.....7YR28	2007-000074	R-CHIP;100ohm,5%,1/16W,DA,TP,1608		△	IC801S	AA96-00035A	ASSY H/S;-POWER,AA62-30181P,STR-F6656,-	S.N.A
.....7YR29	2007-000210	R-CHIP;1.1KOHM,5%,1/10W,DA,TP,2012	5		0205-000129	GREASE-SILICON;SC102,JAPAN	S.N.A
.....7YR30	2007-000074	R-CHIP;100ohm,5%,1/16W,DA,TP,1608	5		6003-000333	SCREW-TAPTITE;RH,+2S,M3,L10,ZPC(YEL),SW	S.N.A
.....7YR31	2007-000210	R-CHIP;1.1KOHM,5%,1/10W,DA,TP,2012	5		AA13-00018A	IC HYBRID;-STR-F6656,LF1351,SPIN,-	
.....7YR32	2007-000074	R-CHIP;100ohm,5%,1/16W,DA,TP,1608	5		AA62-30181P	HEAT SINK-ES;-T1,0,WHITE,SCREW-HOLE(2	S.N.A
.....7YR33	2007-000210	R-CHIP;1.1KOHM,5%,1/10W,DA,TP,2012		△	IC804	1203-001400	IC-POWER PRESICALER;SE110N,TO-220(SIP),3P	
.....7YR40	2007-000691	R-CHIP;3.3Mohm,5%,1/16W,DA,TP,1608		△	LX801S	AA29-30002L	FILTER LINE NOISE;-10mHMIN,5A,AC90-260V	
.....7YR41	2007-000074	R-CHIP;100ohm,5%,1/16W,DA,TP,1608		△	LX802S	AA29-30002M	FILTER LINE NOISE;-1mHMIN,5A,AC90-260V,	
.....7YR43	2007-000799	R-CHIP;360ohm,5%,1/16W,DA,TP,1608		△	LX803S	AA29-30002M	FILTER LINE NOISE;-1mHMIN,5A,AC90-260V,	
.....7YR44	2007-000799	R-CHIP;360ohm,5%,1/16W,DA,TP,1608		△	NT801S	1404-001195	THERMISTOR-NTC;5.1ohm,15%,2900,27mW/C,BK	
.....7YR45	2007-000799	R-CHIP;360ohm,5%,1/16W,DA,TP,1608		△	PC801S	0604-001032	PHOTO-COUPLER;TR,170-260%,300mW,DIP-4,ST	
.....7YR46	2007-000074	R-CHIP;100ohm,5%,1/16W,DA,TP,1608	4	R817	2009-001096	R-METAL PLATE;0.07ohm,5%,5W,CL,BK,5x14x1	
.....7YR47	2007-000074	R-CHIP;100ohm,5%,1/16W,DA,TP,1608	4	R841	2008-001093	R-FUSIBLE(S);220Hm,5%,1/2W,AC,BK,2.5X6.5	
.....7YR48	2007-000074	R-CHIP;100ohm,5%,1/16W,DA,TP,1608		△	T801S	AA26-00099A	TRANS SWITCHING;EERS345,PCL544R,AC220V,1	
.....7YR50	2007-000080	R-CHIP;2Kohm,5%,1/16W,DA,TP,1608	4		AA97-05241A	ASSY AUTO-SUB;PCL545R,P54A	S.N.A
.....7YR51	2007-000074	R-CHIP;100ohm,5%,1/16W,DA,TP,1608	5	C809	2201-000551	C-CERAMIC,DISC;0.47nF,10%,1kV,Y5P,TP,6.3	
.....7YR53	2007-000074	R-CHIP;100ohm,5%,1/16W,DA,TP,1608	5	C814	2201-002041	C-CERAMIC,DISC;0.82nF,10%,2kV,Y5P,TP,9x5	
.....7YR56	2007-000074	R-CHIP;100ohm,5%,1/16W,DA,TP,1608	5	C815	2201-000406	C-CERAMIC,DISC;0.27nF,10%,2kV,Y5P,TP,6.3	
.....7YR59	2007-000300	R-CHIP;10KOHM,5%,1/10W,DA,TP,2012	5	C816	2201-000332	C-CERAMIC,DISC;2.2nF,20%,250V,Y5U,TP,9x4	
.....7YR60	2007-000074	R-CHIP;100ohm,5%,1/16W,DA,TP,1608	5	C817	2201-000332	C-CERAMIC,DISC;2.2nF,20%,250V,Y5U,TP,9x4	
.....7YR61	2007-000097	R-CHIP;47Kohm,5%,1/16W,DA,TP,1608	5	C818	2301-001216	C-FILM,PPF;47nF,5%,630V,TP,20x14.5x22.7,	
.....7YR62	2007-000078	R-CHIP;1Kohm,5%,1/16W,DA,TP,1608	5	C819	2201-000332	C-CERAMIC,DISC;2.2nF,20%,250V,Y5U,TP,9x4	

Loc. No.	Code No.	Description ; Specification	Remark	Loc. No.	Code No.	Description ; Specification	Remark	
.....5	C833	2201-000292	C-CERAMIC,DISC;1nF,10%,50V,Y5P,TP;5x3.5,5	EY187	AA60-40011A	EYELET;ID2.0,OD2.8,BST	S.N.A
.....5	C834	2401-003028	C-AL;100uF,20%,25V,WT,TP6.3x11.55	EY188	AA60-40011A	EYELET;ID2.0,OD2.8,BST	S.N.A
.....5	C851	2201-000551	C-CERAMIC,DISC;0.47nF,10%,1kV,Y5P,TP;6.35	EY189	AA60-40011A	EYELET;ID2.0,OD2.8,BST	S.N.A
.....5	C852	2401-000133	C-AL;1000uF,20%,16V,GP,TP;10x20.55	EY190	AA60-40011A	EYELET;ID2.0,OD2.8,BST	S.N.A
.....5	C853	2401-000603	C-AL;1uF,20%,50V,GP,TP;5x11.55	EY191	AA60-40011A	EYELET;ID2.0,OD2.8,BST	S.N.A
.....5	C854	2201-000551	C-CERAMIC,DISC;0.47nF,10%,1kV,Y5P,TP;6.35	EY192	AA60-40011A	EYELET;ID2.0,OD2.8,BST	S.N.A
.....5	C855	2401-000703	C-AL;2200uF,20%,25V,GP,-,12.5x25mm,5	EY193	AA60-40011A	EYELET;ID2.0,OD2.8,BST	S.N.A
.....5	C861	2201-000551	C-CERAMIC,DISC;0.47nF,10%,1kV,Y5P,TP;6.35	EY71	AA60-40011A	EYELET;ID2.0,OD2.8,BST	S.N.A
.....5	C864	2201-000551	C-CERAMIC,DISC;0.47nF,10%,1kV,Y5P,TP;6.35	EY72	AA60-40011A	EYELET;ID2.0,OD2.8,BST	S.N.A
.....5	C871	2201-000551	C-CERAMIC,DISC;0.47nF,10%,1kV,Y5P,TP;6.35	EY79	AA60-40011A	EYELET;ID2.0,OD2.8,BST	S.N.A
.....5	C872	2401-000703	C-AL;2200uF,20%,25V,GP,-,12.5x25mm,5	EY80	AA60-40011A	EYELET;ID2.0,OD2.8,BST	S.N.A
.....5	C874	2201-000551	C-CERAMIC,DISC;0.47nF,10%,1kV,Y5P,TP;6.35	EY81	AA60-40011A	EYELET;ID2.0,OD2.8,BST	S.N.A
.....5	C877	2305-000427	C-FILM,MPEF;47nF,5%,100V,TP;7.5x12.5x3.55	EY82	AA60-40011A	EYELET;ID2.0,OD2.8,BST	S.N.A
△	D834	0402-000546	DIODE-RECTIFIER;TVR10G,400V,1.0A,DO-41,T5	EY83	AA60-40011A	EYELET;ID2.0,OD2.8,BST	S.N.A
△	D843	0402-000546	DIODE-RECTIFIER;TVR10G,400V,1.0A,DO-41,T5	EY84	AA60-40011A	EYELET;ID2.0,OD2.8,BST	S.N.A
△	D851	0402-000493	DIODE-RECTIFIER;1R5GU41,400V,1.5A,DO-15L5	EY85	AA60-40011A	EYELET;ID2.0,OD2.8,BST	S.N.A
△	D853	0402-000132	DIODE-RECTIFIER;1N4004,400V,1A,DO-41,TP5	EY86	AA60-40011A	EYELET;ID2.0,OD2.8,BST	S.N.A
.....5	DZ858	0403-001325	DIODE-ZENER;MTZJ15C,14.35-15.09V,500mW,D5	EY87	AA60-40011A	EYELET;ID2.0,OD2.8,BST	S.N.A
.....5	EL01	AA60-40011B	EYELET;ID2.2,OD3.2,BSP	S.N.A	EY88	AA60-40011A	EYELET;ID2.0,OD2.8,BST	S.N.A
.....5	EL02	AA60-40011B	EYELET;ID2.2,OD3.2,BSP	S.N.A	EY89	AA60-40011A	EYELET;ID2.0,OD2.8,BST	S.N.A
.....5	EL03	AA60-40011B	EYELET;ID2.2,OD3.2,BSP	S.N.A	EY90	AA60-40011A	EYELET;ID2.0,OD2.8,BST	S.N.A
.....5	EL04	AA60-40011B	EYELET;ID2.2,OD3.2,BSP	S.N.A	EY91	AA60-40011A	EYELET;ID2.0,OD2.8,BST	S.N.A
.....5	EL05	AA60-40011B	EYELET;ID2.2,OD3.2,BSP	S.N.A	EY92	AA60-40011A	EYELET;ID2.0,OD2.8,BST	S.N.A
.....5	EL06	AA60-40011B	EYELET;ID2.2,OD3.2,BSP	S.N.A	EY93	AA60-40011A	EYELET;ID2.0,OD2.8,BST	S.N.A
.....5	EL09	AA60-40011B	EYELET;ID2.2,OD3.2,BSP	S.N.A	EY94	AA60-40011A	EYELET;ID2.0,OD2.8,BST	S.N.A
.....5	EL10	AA60-40011B	EYELET;ID2.2,OD3.2,BSP	S.N.A	EY95	AA60-40011A	EYELET;ID2.0,OD2.8,BST	S.N.A
.....5	EL15	AA60-40011B	EYELET;ID2.2,OD3.2,BSP	S.N.A	EY99	AA60-40011A	EYELET;ID2.0,OD2.8,BST	S.N.A
.....5	EL18	AA60-40011B	EYELET;ID2.2,OD3.2,BSP	S.N.A	F801A	3602-000114	FUSE-HOLDER;-,-,30mohm	S.N.A
.....5	EL22	AA60-40011B	EYELET;ID2.2,OD3.2,BSP	S.N.A	F801B	3602-000114	FUSE-HOLDER;-,-,30mohm	S.N.A
.....5	EL25	AA60-40011B	EYELET;ID2.2,OD3.2,BSP	S.N.A	F802A	3602-000114	FUSE-HOLDER;-,-,30mohm	S.N.A
.....5	EY01	AA60-40011A	EYELET;ID2.0,OD2.8,BST	S.N.A	F802B	3602-000114	FUSE-HOLDER;-,-,30mohm	S.N.A
.....5	EY05	AA60-40011A	EYELET;ID2.0,OD2.8,BST	S.N.A	F804A	3602-000114	FUSE-HOLDER;-,-,30mohm	S.N.A
.....5	EY06	AA60-40011A	EYELET;ID2.0,OD2.8,BST	S.N.A	F804B	3602-000114	FUSE-HOLDER;-,-,30mohm	S.N.A
.....5	EY100	AA60-40011A	EYELET;ID2.0,OD2.8,BST	S.N.A	F855A	3602-000114	FUSE-HOLDER;-,-,30mohm	S.N.A
.....5	EY101	AA60-40011A	EYELET;ID2.0,OD2.8,BST	S.N.A	F855B	3602-000114	FUSE-HOLDER;-,-,30mohm	S.N.A
.....5	EY104	AA60-40011A	EYELET;ID2.0,OD2.8,BST	△	FD805S	3601-001086	FUSE-AXIAL LEAD;125V,5A,FAST-ACTING,GLAS	S.N.A
.....5	EY107	AA60-40011A	EYELET;ID2.0,OD2.8,BST	△	FD806S	3601-001065	FUSE-AXIAL LEAD;125V,3.5A,FAST-ACTING,CE	S.N.A
.....5	EY108	AA60-40011A	EYELET;ID2.0,OD2.8,BST	△	FD854S	3601-001086	FUSE-AXIAL LEAD;125V,5A,FAST-ACTING,GLAS	S.N.A
.....5	EY109	AA60-40011A	EYELET;ID2.0,OD2.8,BST	△	FD871S	3601-001086	FUSE-AXIAL LEAD;125V,5A,FAST-ACTING,GLAS	S.N.A
.....5	EY110	AA60-40011A	EYELET;ID2.0,OD2.8,BST	S.N.A	GT801	AA60-40014A	PIN-GT,ASSY;AUTO	S.N.A
.....5	EY111	AA60-40011A	EYELET;ID2.0,OD2.8,BST	S.N.A	GT802	AA60-40014A	PIN-GT,ASSY;AUTO	S.N.A
.....5	EY112	AA60-40011A	EYELET;ID2.0,OD2.8,BST	S.N.A	GT810	AA60-40014A	PIN-GT,ASSY;AUTO	S.N.A
.....5	EY113	AA60-40011A	EYELET;ID2.0,OD2.8,BST	S.N.A	GT811	AA60-40014A	PIN-GT,ASSY;AUTO	S.N.A
.....5	EY114	AA60-40011A	EYELET;ID2.0,OD2.8,BST	S.N.A	GT812	AA60-40014A	PIN-GT,ASSY;AUTO	S.N.A
.....5	EY115	AA60-40011A	EYELET;ID2.0,OD2.8,BST	S.N.A	GT813	AA60-40014A	PIN-GT,ASSY;AUTO	S.N.A
.....5	EY116	AA60-40011A	EYELET;ID2.0,OD2.8,BST	S.N.A	GT814	AA60-40014A	PIN-GT,ASSY;AUTO	S.N.A
.....5	EY138	AA60-40011A	EYELET;ID2.0,OD2.8,BST	S.N.A	L806	2901-000297	FILTER-EMI ON BOARD;-,-,3.5x5,TP-	S.N.A
.....5	EY139	AA60-40011A	EYELET;ID2.0,OD2.8,BST	S.N.A	L807	2901-000297	FILTER-EMI ON BOARD;-,-,3.5x5,TP-	S.N.A
.....5	EY140	AA60-40011A	EYELET;ID2.0,OD2.8,BST	S.N.A	L808	3301-000287	CORE-FERRITE BEAD;AA,3.5x1.0x6.0mm,1500,	S.N.A
.....5	EY141	AA60-40011A	EYELET;ID2.0,OD2.8,BST	S.N.A	L810	2901-000297	FILTER-EMI ON BOARD;-,-,3.5x5,TP-	S.N.A
.....5	EY142	AA60-40011A	EYELET;ID2.0,OD2.8,BST	S.N.A	L811	2901-000297	FILTER-EMI ON BOARD;-,-,3.5x5,TP-	S.N.A
.....5	EY143	AA60-40011A	EYELET;ID2.0,OD2.8,BST	S.N.A	L812	2901-000297	FILTER-EMI ON BOARD;-,-,3.5x5,TP-	S.N.A
.....5	EY158	AA60-40011A	EYELET;ID2.0,OD2.8,BST	S.N.A	L813	2901-000297	FILTER-EMI ON BOARD;-,-,3.5x5,TP-	S.N.A
.....5	EY159	AA60-40011A	EYELET;ID2.0,OD2.8,BST	S.N.A	L814	3301-000287	CORE-FERRITE BEAD;AA,3.5x1.0x6.0mm,1500,	S.N.A
.....5	EY163	AA60-40011A	EYELET;ID2.0,OD2.8,BST	S.N.A	L815	2901-000297	FILTER-EMI ON BOARD;-,-,3.5x5,TP-	S.N.A
.....5	EY164	AA60-40011A	EYELET;ID2.0,OD2.8,BST	S.N.A	L816	2901-000297	FILTER-EMI ON BOARD;-,-,3.5x5,TP-	S.N.A
.....5	EY165	AA60-40011A	EYELET;ID2.0,OD2.8,BST	S.N.A	L831	3301-000287	CORE-FERRITE BEAD;AA,3.5x1.0x6.0mm,1500,	S.N.A
.....5	EY166	AA60-40011A	EYELET;ID2.0,OD2.8,BST	S.N.A	L832	3301-000287	CORE-FERRITE BEAD;AA,3.5x1.0x6.0mm,1500,	S.N.A
.....5	EY167	AA60-40011A	EYELET;ID2.0,OD2.8,BST	S.N.A	L851	2901-000297	FILTER-EMI ON BOARD;-,-,3.5x5,TP-	S.N.A
.....5	EY168	AA60-40011A	EYELET;ID2.0,OD2.8,BST	S.N.A	L857	2901-000297	FILTER-EMI ON BOARD;-,-,3.5x5,TP-	S.N.A
.....5	EY170	AA60-40011A	EYELET;ID2.0,OD2.8,BST	S.N.A	L859	2901-000297	FILTER-EMI ON BOARD;-,-,3.5x5,TP-	S.N.A
.....5	EY171	AA60-40011A	EYELET;ID2.0,OD2.8,BST	S.N.A	PCB	AA41-00342A	PCB-POWER;PCL545R,CEM-1,1L,A,1.6T,330X24	S.N.A
.....5	EY172	AA60-40011A	EYELET;ID2.0,OD2.8,BST	S.N.A	Q801	0501-000389	TR-SMALL SIGNAL;KSC815,NPN,400mW,TO-92,T	S.N.A
.....5	EY173	AA60-40011A	EYELET;ID2.0,OD2.8,BST	S.N.A	R808	2001-000085	R-CARBON(S);100KOHM,5%,1/2W,AA,TP,2.4X6.	S.N.A
.....5	EY174	AA60-40011A	EYELET;ID2.0,OD2.8,BST	S.N.A	R808A	2001-000085	R-CARBON(S);100KOHM,5%,1/2W,AA,TP,2.4X6.	S.N.A
.....5	EY175	AA60-40011A	EYELET;ID2.0,OD2.8,BST	S.N.A	R812	2003-002170	R-METAL OXIDE(S);15Kohm,5%,2W,AG,TP,3.9x	S.N.A
.....5	EY176	AA60-40011A	EYELET;ID2.0,OD2.8,BST	S.N.A	R814	2003-002170	R-METAL OXIDE(S);15Kohm,5%,2W,AG,TP,3.9x	S.N.A
.....5	EY177	AA60-40011A	EYELET;ID2.0,OD2.8,BST	S.N.A	R815	2003-000512	R-METAL OXIDE(S);15Kohm,5%,3W,AA,TP,6x16	S.N.A
.....5	EY178	AA60-40011A	EYELET;ID2.0,OD2.8,BST	S.N.A	R815A	2003-000512	R-METAL OXIDE(S);15Kohm,5%,3W,AA,TP,6x16	S.N.A
.....5	EY179	AA60-40011A	EYELET;ID2.0,OD2.8,BST	S.N.A	R832	2001-001178	R-CARBON(S);680OHM,5%,1/2W,AA,TP,2.4X6.4	S.N.A
.....5	EY180	AA60-40011A	EYELET;ID2.0,OD2.8,BST	S.N.A	R834	2001-001097	R-CARBON(S);2.4KOHM,5%,1/2W,AA,TP,2.4X6.	S.N.A
.....5	EY181	AA60-40011A	EYELET;ID2.0,OD2.8,BST	S.N.A	R837	2001-001097	R-CARBON(S);2.4KOHM,5%,1/2W,AA,TP,2.4X6.	S.N.A
.....5	EY182	AA60-40011A	EYELET;ID2.0,OD2.8,BST	S.N.A	R838	2001-001097	R-CARBON(S);2.4KOHM,5%,1/2W,AA,TP,2.4X6.	S.N.A
.....5	EY183	AA60-40011A	EYELET;ID2.0,OD2.8,BST	S.N.A	R855	2001-001196	R-CARBON(S);9.1KOHM,5%,1/2W,AA,TP,2.4X6.	S.N.A
.....5	EY184	AA60-40011A	EYELET;ID2.0,OD2.8,BST	S.N.A	R871	2001-001088	R-CARBON(S);1KOHM,5%,1/2W,AA,TP,2.4X6.4M	S.N.A
.....5	EY185	AA60-40011A	EYELET;ID2.0,OD2.8,BST	S.N.A	R872	2001-000066	R-CARBON(S);10KOHM,5%,1/2W,AA,TP,2.4X6.4	S.N.A
.....5	EY186	AA60-40011A	EYELET;ID2.0,OD2.8,BST	S.N.A	R873	2004-004366	R-METAL(S);1.3Kohm,1%,1/2W,AA,TP,2.5x6.5	S.N.A

Loc. No.	Code No.	Description ; Specification	Remark
....5	R874	2001-000734 R-CARBON;4.7KOHM,5%,1/8W,AA,TP,1.8X3.2MM	
....5	R875	2004-004366 R-METAL(S);1.3Kohm,1%,1/2W,AA,TP,2.5x6.5	
△	RP801S	2002-001010 R-COMPOSITION;1.8Mohm,5%,1/2W,AA,TP,3.7x	
△	RX801S	2002-001011 R-COMPOSITION;3.3Mohm,5%,1/2W,AA,TP,3.7x	
△	RY801S	2002-001013 R-COMPOSITION;4.7Mohm,5%,1/2W,AA,TP,3.7x	
△	VP801S	1405-000152 VARISTOR;560V,2500A,14x8.5mm,TP	
△	VX801S	1405-000187 VARISTOR;750V,1250A,12.5x7mm,TP	
....4	AA39-20009B	LEAD CONNECTOR-ASSY,1P,YFH800-01,300,16	
....4	O202-000187	SOLDER-WIRE FLUX;-RS60S,D1.2,63Sn/37Pb	S.N.A
....3	AA92-03970D	ASSY P/MATERIAL-PCB;PJT,J52A NO-T/BOARD	S.N.A
....4	CHASIS	AA69-01403A WRAP VINYL-PACKING;SKD CHASSIS,LDPE,T0.0	S.N.A
....4	CHASIS	AA63-10007C BAND-PP;W18,CLEA,1G	S.N.A
..2	AA91-00766A	ASSY-CENTER,SPK;W3	
....3	PCS+SP	AA60-10051A SCREW-WOOD;-SWRCH18A,M4,L16,PH,+,-,ZP	S.N.A
....3	AA61-00859A	PLATE-CENTER,SPK;W3,WOOD	S.N.A
....3	AA96-10153A	ASSY SPEAKER;-8ohm,15w,001052,20609A,CE	S.N.A
....4	C-SPK	3001-000151 SPEAKER;20W,8ohm,92dB,130Hz	
....4	AA39-20609A	LEAD CONNECTOR-ASSY,2P;SMH250-02,REC,40	

ASSY COVER REAR

Loc. No.	Code No.	Description ; Specification	Remark
1	*	AA90-02622B ASSY COVER REAR;HCM553W3S/XAA	S.N.A
..2	AA64-02225C	CABINET-BACK,SIDE;DP,47.55W3,HIPS V0,BLK	
....3	AA64-02065C	CABINET-BACK,SIDE;47.55W3,HIPS V0,BLK	S.N.A
..2	AA67-00200A	SCREEN-TINT;55W,1249*710,T=0.7,P=0.52	
..2	BP64-00030A	CABINET-BACK, TOP;DP,55W3,BP64-00014A	
....3	BP64-00014A	CABINET BACK-TOP;55W3,PS SHEET,T4.0	
....3	AA63-10007C	BAND-PP;W18,CLEA,1G	S.N.A
..2	AA67-00124B	SCREEN-FRESNEL;55W,-T2,1251*712,-,,-,-,-,-	
..2	AA65-30008A	CLAMPER CORE-CORD;-PE,HB,-,BLK,-	S.N.A
..2	AA64-01849C	CABINET-BACK,BOT;DP,62J8,VO,AA64-01384B	
....3	AA64-01384B	CABINET-BACK,BOT;43,54,62J8,HIPS,-,-,-,V	
....4	0103-000161	RESIN-HIPS;BASFK456M,BLK,-,VO	S.N.A
..2	AA64-01395G	INLAY-TERMINAL;J7,J8,PS SHEET,T0.5,-,-,B	S.N.A

ASSY COVER FRONT

Loc. No.	Code No.	Description ; Specification	Remark
1	*	AA90-02621C ASSY COVER FRONT;HCM553W3S/XAA	S.N.A
..2	AP+BCM	AA60-10011A SCREW-TAPTITE;-SWRCH18A,M4,L12,HH,+,-,PC,	S.N.A
..2	ASP+CW	6005-001004 SCREW-WOOD;HH,+M4,L27,BLK,SWRCH18A	S.N.A
..2	BCM+CW	6006-001094 SCREW-ASS'Y WOOD;WWW,HH,+M7,L32,ZPC(YEL)	S.N.A
..2	BF+BM	AA60-10011A SCREW-TAPTITE;-SWRCH18A,M4,L12,HH,+,-,PC,	S.N.A
..2	BM+CW	6005-001004 SCREW-WOOD;HH,+M4,L27,BLK,SWRCH18A	S.N.A
..2	CBB+AP	6003-001019 SCREW-TAPTITE;RH,+B,M4,L12,ZPC(BLK),SWR	S.N.A
..2	CBB+CW	6005-001003 SCREW-WOOD;HH,+M4,L19,ZPC(BLK),SWRCH18A	S.N.A
..2	CBB+EJ	6003-001022 SCREW-TAPTITE;RH,+B,M3,L12,ZPC(BLK),SWR	S.N.A
..2	CBS+CW	6005-001003 SCREW-WOOD;HH,+M4,L19,ZPC(BLK),SWRCH18A	S.N.A
..2	CBT+CW	6005-001003 SCREW-WOOD;HH,+M4,L19,ZPC(BLK),SWRCH18A	S.N.A
..2	CFB+CW	6005-001003 SCREW-WOOD;HH,+M4,L19,ZPC(BLK),SWRCH18A	S.N.A
..2	CFWTOP	AA63-60131A SPACER-FELT;SVP403J,FELT,-,-,BLK,T0.5,	S.N.A
..2	CMV+CW	6005-001003 SCREW-WOOD;HH,+M4,L19,ZPC(BLK),SWRCH18A	S.N.A
..2	CMW+CW	6005-001004 SCREW-WOOD;HH,+M4,L27,BLK,SWRCH18A	S.N.A
..2	FP+BCM	AA60-10011A SCREW-TAPTITE;-SWRCH18A,M4,L12,HH,+,-,PC,	S.N.A
..2	HC+CW	6005-001003 SCREW-WOOD;HH,+M4,L19,ZPC(BLK),SWRCH18A	S.N.A
..2	HM+CW	6005-001003 SCREW-WOOD;HH,+M4,L19,ZPC(BLK),SWRCH18A	S.N.A
..2	HV+BCM	AA60-10011A SCREW-TAPTITE;-SWRCH18A,M4,L12,HH,+,-,PC,	S.N.A
..2	PCB+CF	6003-001023 SCREW-TAPTITE;RWH,+B,M3,L10,ZPC(YEL),SW	S.N.A
..2	BP61-00034A	BRACKET-MIRROR(BOT);DP,55W3,61-01093A	
....3	AA61-01093A	BRACKET-MIRROR,BOT;55W9,SECC,T1.0	S.N.A
..2	BP61-00033A	BRACKET-MIRROR(TOP);DP,55W3,61-01092A	
....3	AA61-01092A	BRACKET-MIRROR, TOP;55W9,SECC,T1.0,BLK	S.N.A
..2	BP61-00032A	BRACKET-F/MIRROR(L);DP,55W3,61-01091A	
....3	AA61-01091A	BRACKET-FRAME,MIRROR L;55W9,SECC,T1.6,BL	S.N.A
..2	BP61-00031A	BRACKET-F/MIRROR(R);DP,55W3,61-01090A	
....3	AA61-01090A	BRACKET-FRAME,MIRROR R;55W9,SECC,T1.6,BL	S.N.A
..2	AA61-00972C	HOLDER-SCREEN,R;55W3,ABS HB,BLK	S.N.A
..2	AA63-00021M	SPACER-MIRROR,BOT;50J6,PVC HB,L799,BLK	S.N.A
..2	AA63-00021L	SPACER-MIRROR, TOP;50J6,PVC HB,BLK,L1020	S.N.A
..2	AA63-00380A	COVER-CORNER;PJT,POLYESTER,-,-,-,-,CLR,#	S.N.A
..2	AA63-60002V	SPACER-FELT;- FELT,-,-,BLK,T0.3,-,60X4	S.N.A
..2	BP98-00054A	ASSY K/D-SPEAKER;SP55W3HF/S,XET,J52A	

Loc. No.	Code No.	Description ; Specification	Remark
....3	AA98-00049B	ASSY-LEAD,CON;- LEAD-CON,CORE,AA39-20505	S.N.A
....4	3301-001201	CORE-FERRITE;AE,21x11x32mm,1500,280G	
....3	AA39-20609A	LEAD CONNECTOR-ASSY;2P;SMH250-02,REC,40	
....3	AA39-00287B	LEAD CONNECTOR-ASSY;PCL54RX,UL2547#26,UL	
....3	AA39-00086A	LEAD CONNECTOR-ASSY;2.2UF,REC,REC,200MM	
....3	3001-001116	SPEAKER;30W,8ohm,96dB,60Hz	
....3	3001-000153	SPEAKER;20W,8ohm,93dB,1.3KHz	
....3	3001-000151	SPEAKER;20W,8ohm,92dB,130Hz	
..2	AA64-02213C	BADGE-BRAND;80MM,AL FORGING,DG703P,SAMSU	
....2	AA63-00063A	SPACER-DUAL,LOCK;SVP-614J,#400,-,-,-,-,-	S.N.A
....2	AA91-00843B	ASSY-C/FRONT,MASK;DP,64-02059E,55W3	S.N.A
....2	AA63-00380A	COVER-CORNER;PJT,POLYESTER,-,-,-,-,CLR,#	S.N.A
....3	AA63-00063A	SPACER-DUAL,LOCK;SVP-614J,#400,-,-,-,-,-	S.N.A
....3	AA64-02059E	CABINET-FRONT,MASK;55W3,HIPS HB,GRAY,DG7	
....3	AA64-02213C	BADGE-BRAND;80MM,AL FORGING,DG703P,SAMSU	
....2	AA67-00206A	MIRROR-FRONT;55W9,F5M,1027*799*540	
..2	AA64-60449B	INLAY-COVER;SP-434JMF,PS,T0.5,149.3X69.5	S.N.A
..2	AA64-60421C	INLAY-COVER;-PS,T0.3,-,-,BLK,SEA	S.N.A
..2	6001-000137	SCREW-MACHINE;BH,+M3,L8,ZPC(YEL),SM20C,	S.N.A
..2	AA61-00859A	PLATE-CENTER,SPK;W3,WOOD	S.N.A
..2	AA61-00617B	BRACKET-CRT,MAIN;DP,54J7,AA61-00475B	S.N.A
....3	AA63-10007C	BAND-PP;W18,CLEA,1G	S.N.A
....3	AA61-00475B	BRACKET-CRT,MAIN;54,SECC,T1.6,-,-,-,-,-	S.N.A
..2	AA60-00072B	SPACER-COVER,DUST;43,54,62J9,SPONGE 94HF	S.N.A
..2	AA63-00021K	SPACER-MIRROR;50J6,PVC,BLK,HB L500	S.N.A
..2	AA91-00842G	ASSY-C/FRONT,BOT;DP,64-02064K MIJU,55,65	
....3	AA64-02080C	KNOB POWER;W3,ABS HB,BLK,BL903	
....3	AA64-02081B	KNOB-CH,VOL;W3,ABS HB,BLK,CHROME,GLOSSY	
....3	AA64-02082B	WINDOW-RMC,LED;W3,PC,CLEAR	
....3	AA64-02205C	BADGE-DECORATION;W3,NI+AL FORGING+NI,DG7	S.N.A
....3	AA64-02064K	CABINET-FRONT,BOT;55,65W3,HIPS V0,GRAY,S	S.N.A
....3	6003-001026	SCREW-TAPTITE;RH,+B,M4,L15,ZPC(BLK),SWR	S.N.A
....3	AA61-00785B	GUIDE-KNOB,POWER;W3,ABS HB,BLK,CHROME,G	S.N.A
....3	AA61-00786C	HOLDER-CONTROL;W3,ABS HB,BLK,BL903	S.N.A
....3	AA61-00791B	HOLDER-FRONT,BOT;W3,ABS HB,L40,BLK,DO	S.N.A
....3	AA61-01068A	HOLDER-CABINET,BOT(B);W3,ABS HB,L40,BLK,	S.N.A
....3	AA61-60003J	SPRING ETC-CS;-SUS304,-,-,-,OD6,N7,OD6,-,	S.N.A
..2	AA64-02074B	INLAY-SPEAKER;J7,J8,J9,PS SHEET,T0.5,-,-	S.N.A
..2	AA98-00288D	ASSY K/D-CABINET,WOOD;HCM553W3S/XAA,55	
....3	B-FRAM AA60-10051A	SCREW-WOOD;-SWRCH18A,M4,L16,PH,+,-,ZP	S.N.A
....3	BF+WOO	AA60-10051A SCREW-WOOD;-SWRCH18A,M4,L16,PH,+,-,ZP	S.N.A
....3	CAS+CW	AA60-10051A SCREW-WOOD;-SWRCH18A,M4,L16,PH,+,-,ZP	S.N.A
....3	HCM+CW	AA60-10051A SCREW-WOOD;-SWRCH18A,M4,L16,PH,+,-,ZP	S.N.A
....3	HCW+CW	AA60-10051A SCREW-WOOD;-SWRCH18A,M4,L16,PH,+,-,ZP	S.N.A
....3	HW+CW	AA60-10051B SCREW-WOOD;-SWRCH18A,M3.5,L11,RH,+,-,-	S.N.A
....3	RAIL+R	AA60-10051A SCREW-WOOD;-SWRCH18A,M4,L16,PH,+,-,ZP	S.N.A
....3	SPK+CW	AA60-10051A SCREW-WOOD;-SWRCH18A,M4,L16,PH,+,-,ZP	S.N.A
....3	AA61-00971C	HOLDER-SCREEN, TB;55W3,ABS HB,L1282,BLK	S.N.A
....3	AA61-00723A	HOLDER-PIN,DABO;PRJT,WOODEN NAIL,OD6XL20	
....3	AA61-00973C	HOLDER-SCREEN,L;55W3,ABS HB,BLK	S.N.A
..2	AA91-00750A	ASSY-MAGNET,PUSH; MAGNET,W3	
....3	AA64-02208D	CABINET-WOOD;55W3HD,WOOD,MIJU	S.N.A
....3	AA63-60126G	SPACER-FELT;FELT,BLK,T2,712X15	S.N.A
....3	AA65-00017A	CLAMPER CORE-WIRE;ALL MODEL,NYLON6.6,BLK	S.N.A
....3	AA61-00722A	HOLDER-PIN,DABO;PRJT,NYLON,OD6.5XL25,-,-	S.N.A
....3	BP61-00087B	RAIL-DOOR,L;W3,ABS HB,BLK	S.N.A
....3	BP61-00087A	RAIL-DOOR,R;W3,ABS HB,BLK	S.N.A
....3	AA61-01117B	HOLDER-SENSOR;W3,PC VIOLET	S.N.A
....3	AA61-00792B	HOLDER-SENSOR;W3,PC VIOLET	S.N.A
....4	BP61-00075A	HOLDER-JERSEY;ASSY;W3,ABS V0,GRAY,63-000	S.N.A
....4	AA63-00099C	SPACER-FELT;47W3,FELT,BLK,T0.35,30*30	S.N.A
....4	AA61-00508D	HOLDER-JERSEY;W3,ABS V0,GRAY,G4309	S.N.A
....4	AA61-00508B	HOLDER-JERSEY;W3,ABS V0,GRAY,G4309	S.N.A
....3	AA60-00078B	SPACER-DUAL,LOCK;W3,#250,19*40	S.N.A
....3	AA61-00864A	HOLDER-PCB;W3,HIPS,V0,BLK	S.N.A
....3	AA63-60126F	SPACER-FELT;FELT,BLK,T2,310X15	S.N.A
....4	AA61-00616B	HOLDER-CRT,MAIN;54J7,DP,-,-,-,-,AA61-005	S.N.A
....4	AA61-00506B	HOLDER-CRT,MAIN;43,54,62J8,HIPS,-,-,-,BL	S.N.A
....3	AA61-00507B	HOLDER-CABINET,WOOD;43,54,62J8,ABS,-,-,-	S.N.A
....3	AA61-00458B	CASTER;-TP4020-05 PLY,-,OH56,-,-,SR44.4	S.N.A
....3	AA61-00097A	HOLDER-WIRE;-NYLON 6/6,-,-,-,NTR,-	S.N.A
....3	AA61-00094C	HOLDER-RAIL;PCJ533R,ABS,-,-,-,BLK,HB,480	S.N.A
....3	AA60-10050Y	SCREW-WOOD;-SWRCH18A,M4,L40,PH,+,-,ZP	S.N.A
....3	6005-001006	SCREW-WOOD;FH,+M3,L15.0,ZPC(BLK),SWRCH1	
....3	AA61-00857B	BRACKET-NUT,INSERT;W3,M3,ZN	S.N.A
....3	AA63-60126E	SPACER-FELT;FELT,BLK,T2,275X15	S.N.A
....3	AA63-00384A	COVER-DUCT;DP 54J8,-,-,-,-,HB,-,AA63-003	S.N.A

Loc. No.	Code No.	Description ; Specification	Remark
....4	AA63-00348B	COVER-DUCT;54,6ZJ8,HIPS,-,-,-,HB,BLK,-	S.N.A
...3	AA61-20219A	HOLDER-FRONT,BOT,E,-,ABS,HB,L40,BLK	S.N.A
...3	AA61-10247A	BRACKET-FOCUS;S46DS,SECC,T1.0,-,-,-,-	S.N.A
...3	AA61-01070A	HOLDER-CABINET,BOT(D);W3,ABS HB,L990,BLK	S.N.A
...3	AA61-01067A	HOLDER-CABINET,BOT(A);W3,ABS HB,L40,BLK,	S.N.A
...3	AA61-00999A	HOLDER-DUAL,LOCK;W3,W1,ABS HB,BLK	S.N.A
...3	AA61-00858B	BRACKET-FRAME;W3,SECC,T2.0	S.N.A
..2	AA91-00774G	ASSY-DOOR,RACK;DP;W3,HB GRAY,64-02066E	△
...3	AHD+DR 6003-001019	SCREW-TAPTITE;RH,+B,M4,L12,ZPC(BLK),SWR	S.N.A
...3	DR+BD 6003-001019	SCREW-TAPTITE;RH,+B,M4,L12,ZPC(BLK),SWR	S.N.A
...3	AA91-00758A	ASSY-HINGE,DOOR(R);SPRING,SECC T1.6 W3,W	S.N.A
...3	AA73-00007B	RUBBER-CAP;W3,MBR,GRAY,60	S.N.A
...3	AA64-02206B	WINDOW-DOOR;W3,GLASS,T3.0,BR	S.N.A
...3	AA61-00782B	BRACKET-MAGNET;W3,SPC,T2.0,FZW	S.N.A
...3	AA61-00856B	BRACKET-DOOR;47W3,SECC,T1.0,BLK	S.N.A
...3	AA63-10007C	BAND-PP;W18,CLEA,1G	S.N.A
...3	AA64-02066E	DOOR-RACK;47.55W3,HIPS HB,GRAY,SS1028	S.N.A
..2	AA73-00005B	RUBBER-CAP;FLAT,PRJ,SILICONE RUBBER,WHIT	S.N.A
..2	AA67-00132A	SUN SCREEN-AG;55W,-,T=82%,1251*712*2,-,-	S.N.A

ASSY P/MATERIAL

1 *	AA92-04017B	ASSY P/MATERIAL;HCM553W3S/XAA	
..2	AA61-00049B	HOLDER-BOX,-,PP,-,-,NTR,VO,AA61-20285A	S.N.A
...3	AA61-20285A	HOLDER-BOX;3456,PP,-,-,WHIT,VO	S.N.A
..2	AA63-10007C	BAND-PP;W18,CLEA,1G	S.N.A

ASSY K/D-SKD P/MATERIAL

1 *	AA98-01629A	ASSY K/D-SKD P/MATERIAL;SKD FORMAT-3	S.N.A
..2	WOODENAA63-10007C	BAND-PP;W18,CLEA,1G	S.N.A
..2	AA60-40006A	PIN-STAPLE;33X17.8X2.4,H18,33X17.8X2.4	S.N.A
..2	AA69-90001A	CHEMICALS-SILICAGEL;-,-,-,-,-,M2,5GR,-,-	S.N.A

ASSY SKD

1 *	AA92-05191A	ASSY SKD PART;1, , ,	S.N.A
..2	D/B AA26-00101A	TRANS FBT;FWZ50A001E/FFA97513B,12KV,5P-	
△	AA65-30104B	CLAMPER CORE-WIRE;ALL MODEL,NYLON 66,V2,	S.N.A
..2	AA96-00156D	ASSY POWER CORD;-,-,EP2,YES(US),H/C 200MM,	S.N.A
...3	3301-001201	CORE-FERRITE;AE,21x11x32mm,1500,280G	S.N.A
...3	AA63-10002B	BAND-TIE,NYLON66 V2,L140,NTR	S.N.A
...3	AA61-20284A	HOLDER-P-CORD,PP,-,-,BLK,VO,KE-002	S.N.A
...3	AA39-10007Y	CBF POWER CORD;-,-,EP2,YES,SPT-2 18AWGx2C,	S.N.A
...3	3811-000401	WIRE-PVC CU;BCWA,300V,ROLL,17/0.16mm,#22	S.N.A
..2	AA39-20577B	LEAD CONNECTOR-ASSY;P54A/SVP-55W3HD,UL16	S.N.A
..2	3301-001201	CORE-FERRITE;AE,21x11x32mm,1500,280G	△
..2	AA26-30006F	TRANS FBT;-,-,FWZ-50A001C,55',30KV	S.N.A
..2	AA59-00218A	MODULE;SVP-5200,F301-P03,BK	S.N.A
..2	AA63-10002A	BAND-TIE,NYLON66 V2,L100,NTR	S.N.A
..2	AA65-30018A	CLAMPER CORE-WIRE;DONG-A,NYLON-66,-,-,-,	S.N.A

ASSY CPT

1 *	AA91-03840A	ASSY CPT;HCL552W3S/XAA	S.N.A
..2	AA98-00294N	ASSY K/D-CRT,B;P16LSG03BMB,+380MG,DELTA	S.N.A
...3	BC+AL AA60-10011A	SCREW-TAPTITE;-,-,SWRCH18A,M4,L12,HH,+PC,	S.N.A
...3	AA61-00847A	CASE-COUPLER,B;DP,PROJ,AA61-00808B	S.N.A
....4	AA61-00808B	CASE-COUPLER,B;PROJ,ALDC,T8,BLK	S.N.A
....4	AA63-10007C	BAND-PP;W18,CLEA,1G	S.N.A
...3	AA61-00810B	HOLDER-CRT;PROJ,PC,CLR	S.N.A
...3	AA61-00809B	HOLDER-CRT;PROJ,PC/ABS GF 20% BLK	S.N.A
...3	AA61-00056B	BRACKET-LENS;PROJECTION,SECC,T1.6,-,-,-,	S.N.A
...3	BP61-00079A	HOLDER-DY,-,P,TV,TO.5,NYLON66 V2	S.N.A
...3	AA91-00735B	ASSY-BRKT,CRT;DP,AA91-00722A,PROJ	S.N.A
....4	AA91-00722A	ASSY-BRKT,CRT;SECC T1.6,PROJ	S.N.A

Loc. No.	Code No.	Description ; Specification	Remark
....5	AA61-00473B	BRACKET-CRT;53,SECC,T1.6,-,-,-,-	S.N.A
....5	AA61-00615B	BRACKET-EARTH;54J8,PBS,TO.5,-,-,-,-	S.N.A
....5	AA61-00812A	SPRING ETC-WIRE;PROJ,STS,3.6	S.N.A
...3	AA67-00156A	LENS;,DELTA 240,CLEAR,C-ELEMENT	S.N.A
...3	AA67-00146A	LENS-ASSY;,DELTA 260,CLEAR A/B	S.N.A
...3	AA63-00076A	SPACER-LENS;PROJECTION,FELT,-,-,-,BROWN	S.N.A
...3	AA27-00151A	DEFLECTION YOKE;-,-,CDY-PT0702(X),PRT,P16L	S.N.A
△	AA03-00202A	CRT MONO;P16LSG03BMB,FREE,3.30mH,2.20mH,	S.N.A
...3	AA60-00127B	SPACER-LENS;PROJ,SILICONE,D/GRAY	S.N.A
...3	AA60-00126B	SPACER-CAP;PROJ,EPDM,BLK	S.N.A
...3	AA60-00125B	SPACER-CRT;PROJ,SILICONE,D/GRAY	S.N.A
...3	AA39-00018A	LEAD CONNECTOR-ASSY;,UL1015#22,UL/CSA,1P	S.N.A
...3	AA33-00008A	MAGNET CONVERGENCE;JH92LTU-36A,7inchPRT,	S.N.A
..2	AA98-00295M	ASSY K/D-CRT,G;P16LSG03HKA,+380MG,DELTA	S.N.A
...3	BC+AL AA60-10011A	SCREW-TAPTITE;-,-,SWRCH18A,M4,L12,HH,+PC,	S.N.A
...3	AA61-00056B	BRACKET-LENS;PROJECTION,SECC,T1.6,-,-,-,	S.N.A
...3	AA61-00809B	HOLDER-CRT;PROJ,PC/ABS GF 20% BLK	S.N.A
...3	AA61-00810B	HOLDER-CAP;PROJ,PC,CLR	S.N.A
...3	AA61-00846A	CASE-COUPLER,G;DP,PROJ,AA61-00807B	S.N.A
...4	AA61-00807B	CASE-COUPLER,G;PROJ,ALDC,T8,BLK	S.N.A
...4	AA63-10007C	BAND-PP;W18,CLEA,1G	S.N.A
...3	AA63-00076A	SPACER-LENS;PROJECTION,FELT,-,-,-,BROWN	S.N.A
...3	AA67-00146A	LENS-ASSY;,DELTA 260,CLEAR A/B	S.N.A
...3	AA67-00158A	LENS;,DELTA 240,GREEN,C-ELEMENT	S.N.A
...3	AA91-00735B	ASSY-BRKT,CRT;DP,AA91-00722A,PROJ	S.N.A
....4	AA91-00722A	ASSY-BRKT,CRT;SECC T1.6,PROJ	S.N.A
....5	AA61-00473B	BRACKET-CRT;53,SECC,T1.6,-,-,-,-	S.N.A
....5	AA61-00615B	BRACKET-EARTH;54J8,PBS,TO.5,-,-,-,-	S.N.A
....5	AA61-00812A	SPRING ETC-WIRE;PROJ,STS,3.6	S.N.A
...3	BP61-00079A	HOLDER-DY,-,P,TV,TO.5,NYLON66 V2	S.N.A
△	AA03-00201A	CRT MONO;P16LSG03HKA,FREE,3.30mH,2.20mH,	S.N.A
...3	AA27-00151A	DEFLECTION YOKE;-,-,CDY-PT0702(X),PRT,P16L	S.N.A
...3	AA39-00018A	LEAD CONNECTOR-ASSY;,UL1015#22,UL/CSA,1P	S.N.A
...3	AA60-00125B	SPACER-CRT;PROJ,SILICONE,D/GRAY	S.N.A
...3	AA60-00126B	SPACER-CAP;PROJ,EPDM,BLK	S.N.A
...3	AA60-00127B	SPACER-LENS;PROJ,SILICONE,D/GRAY	S.N.A
..2	AA98-00297N	ASSY K/D-CRT,R;P16LSG03RJA,+380MG,DELTA2	S.N.A
...3	BC+AL AA60-10011A	SCREW-TAPTITE;-,-,SWRCH18A,M4,L12,HH,+PC,	S.N.A
...3	AA61-00845A	CASE-COUPLER,R;DP,PROJ,AA61-00806B	S.N.A
...4	AA61-00806B	CASE-COUPLER,R;PROJ,ALDC,T8,BLK	S.N.A
...4	AA63-10007C	BAND-PP;W18,CLEA,1G	S.N.A
...3	AA61-00810B	HOLDER-CAP;PROJ,PC,CLR	S.N.A
...3	AA61-00809B	HOLDER-CRT;PROJ,PC/ABS GF 20% BLK	S.N.A
...3	AA61-00056B	BRACKET-LENS;PROJECTION,SECC,T1.6,-,-,-,	S.N.A
...3	BP61-00079A	HOLDER-DY,-,P,TV,TO.5,NYLON66 V2	S.N.A
...3	AA91-00735B	ASSY-BRKT,CRT;DP,AA91-00722A,PROJ	S.N.A
....4	AA91-00722A	ASSY-BRKT,CRT;SECC T1.6,PROJ	S.N.A
....5	AA61-00473B	BRACKET-CRT;53,SECC,T1.6,-,-,-,-	S.N.A
....5	AA61-00615B	BRACKET-EARTH;54J8,PBS,TO.5,-,-,-,-	S.N.A
....5	AA61-00812A	SPRING ETC-WIRE;PROJ,STS,3.6	S.N.A
...3	AA67-00157A	LENS;,DELTA 240,RED,C-ELEMENT	S.N.A
...3	AA67-00146A	LENS-ASSY;,DELTA 260,CLEAR A/B	S.N.A
...3	AA63-00076A	SPACER-LENS;PROJECTION,FELT,-,-,-,BROWN	S.N.A
...3	AA27-00151A	DEFLECTION YOKE;-,-,CDY-PT0702(X),PRT,P16L	S.N.A
△	AA03-00200A	CRT MONO;P16LSG03RJA,FREE,3.30mH,2.20mH,	S.N.A
...3	AA60-00127B	SPACER-LENS;PROJ,SILICONE,D/GRAY	S.N.A
...3	AA60-00126B	SPACER-CAP;PROJ,EPDM,BLK	S.N.A
...3	AA60-00125B	SPACER-CRT;PROJ,SILICONE,D/GRAY	S.N.A
...3	AA39-00018A	LEAD CONNECTOR-ASSY;,UL1015#22,UL/CSA,1P	S.N.A
...3	AA33-00008A	MAGNET CONVERGENCE;JH92LTU-36A,7inchPRT,	S.N.A

ASSY ACCESSORY

1 *	AA92-04025A	ASSY ACCESSORY;HCM5525W3S/XAA,P54A	S.N.A
..2	AA68-00371C	CARD WARRANTY-01;-,-,SEA,W/P100(G),1 YEAR	S.N.A
..2	AA68-40065B	CARD-REGISTRATION;-,-,SEA,A5,ENG,A/P220,2P	S.N.A
..2	AA68-01509D	MANUAL USERS;HCM5525/553/653,ENG,W/P100G	S.N.A
..2	AA39-00006A	CABLE RCA;-,-,3000MM	S.N.A
..2	AA59-00176A	REMOCON;-,-,TM63,SHARK,51,L/GRAY,DO,-,-,-,	S.N.A
..2	2802-000194	RESONATOR-CERAMIC;8MHZ,1.0%,TP,8.5x4.5x5	S.N.A
..2	AA09-00275A	IC MICOM;Z86L8808SSC-R51PX,SOP,STZTM-8	S.N.A
..2	AA61-20126A	HOLDER-LEG;-,-,ABS,-,-,-,BLK,HB	S.N.A

7-4 HCM5525WX/XAA

Loc. No.	Code No.	Description ; Specification	Remark
ASSY CHASSIS			
1 *	AA91-04133A	ASSY CHASSIS;HCM5525W3S/XAA,P54A	
..2	AA94-11166F	ASSY PCB MISC-CRT;DP;PCL545R,P54A	
...3	CN501	3711-003051 CONNECTOR-HEADER;BOX,8P,1R,2.5MM,STRAIGH	
...3	CN502	3711-003052 CONNECTOR-HEADER;BOX,10P,1R,2.5MM,STRAIG	
...3	CN502B	3711-003052 CONNECTOR-HEADER;BOX,10P,1R,2.5MM,STRAIG	
...3	CN503	3711-003052 CONNECTOR-HEADER;BOX,10P,1R,2.5MM,STRAIG	
...3	CN503B	3711-003052 CONNECTOR-HEADER;BOX,10P,1R,2.5MM,STRAIG	
...3	CN401	AA39-20027B LEAD CONNECTOR-ASSY;6P,67096-006,S,400	
...3	CN402	AA39-00127C LEAD CONNECTOR-ASSY;8P,35155-0800,S,500	
...3	CN403	AA39-00112A LEAD CONNECTOR-ASSY;10P,35155-1000,S,30	
...3	CN404	AA39-00112A LEAD CONNECTOR-ASSY;10P,35155-1000,S,30	
...3	FOCUS-	AA39-20115D LEAD CONNECTOR-ASSY;P54A/SVP-55W3HD,UJL32	
...3	FOCUS-	AA39-20115A LEAD CONNECTOR-ASSY;1P,BUSHING,500,3239	
...3	FOCUS-	AA39-20115D LEAD CONNECTOR-ASSY;P54A/SVP-55W3HD,UJL32	
...3	GBW-GN	AA39-00047E LEAD CONNECTOR-ASSY;1P,JUMPER,BLK,300MM	
...3	GBW-SC	AA39-00049A LEAD CONNECTOR-ASSY;1P,JUMPER,RED,300MM	
...3	GNDWIR	AA39-00198C LEAD CONNECTOR-ASSY;P54A/SVP-55W3HD,UJL16	
...3	GRW-GN	AA39-00047E LEAD CONNECTOR-ASSY;1P,JUMPER,BLK,300MM	
...3	GRW-SC	AA39-00049A LEAD CONNECTOR-ASSY;1P,JUMPER,RED,300MM	
...3	IC501	AA96-50151B ASSY H/S;-AMP,AA61-10060A,TDA6111Q,-	S.N.A
...3	IC531	AA96-50151B ASSY H/S;-AMP,AA61-10060A,TDA6111Q,-	S.N.A
...3	IC561	AA96-50151B ASSY H/S;-AMP,AA61-10060A,TDA6111Q,-	S.N.A
....4	1201-001131	IC-VIDEO AMP;6111,SIP9P,-,SINGLE,-,PLAS	
....4	6001-000057	SCREW-MACHINE;RH,+,M3,L6,ZPC(BLK),SWRCH1	S.N.A
....4	6021-000222	NUT-HEXAGON;2C,M3,ZPC(YEL),SM20C,-	S.N.A
....4	AA61-10060A	BRACKET-TR;W3220,CUS-1 1/2H,TO.5,-,,-,-,-	S.N.A
...3	SG502	AA27-00084A COIL;S-23,-,,-,,-,,-S-23,5000Mohm MIN,	
...3	SG532	AA27-00084A COIL;S-23,-,,-,,-,,-S-23,5000Mohm MIN,	
...3	SG562	AA27-00084A COIL;S-23,-,,-,,-,,-S-23,5000Mohm MIN,	
...3	V501	3704-001019 SOCKET-CRT;10P;29.1PI,35.5PI,AU30U,-	
...3	V531	3704-001019 SOCKET-CRT;10P;29.1PI,35.5PI,AU30U,-	
...3	V561	3704-001019 SOCKET-CRT;10P;29.1PI,35.5PI,AU30U,-	
...3	VR501	2101-000321 VR-ROTARY;1Mohm,-,0.6W,SIDE	
...3	VR531	2101-000321 VR-ROTARY;1Mohm,-,0.6W,SIDE	
...3	VR561	2101-000321 VR-ROTARY;1Mohm,-,0.6W,SIDE	
...3	0202-000187	SOLDER-WIRE FLUX;-RS60S,D1.2,63Sn/37Pb	S.N.A
...3	AA63-10002A	BAND-TIE;NYLON66 V2,L100,NTR	S.N.A
...3	3301-001201	CORE-FERRITE;AE,21x11x32mm,1500,280G	
...3	AA97-05331A	ASSY AUTO-SUB;DP;PCL545R,P54A,U.S.A,54	S.N.A
....4	C502	2401-000027 C-AL;4.7uF,20%,50V,GP,TP,5x11,5	
....4	C503	2201-000119 C-CERAMIC,DISC;1nF,10%,2kV,Y5P,TP,9x5,7	
....4	C504	2401-001537 C-AL;47uF,20%,25V,GP,TP,6.3x7mm,5mm	
....4	C505	2305-000149 C-FILM,MPEF;100nF,5%,100V,TP,12x12.5x6.5	
....4	C506	2401-000430 C-AL;10uF,20%,250V,GP,TP,10x16mm,5m	
....4	C507	2305-000154 C-FILM,MPEF;100nF,5%,400V,TP,21.5x6.5x11	
....4	C510	2401-000430 C-AL;10uF,20%,250V,GP,TP,10x16mm,5m	
....4	C511	2201-000723 C-CERAMIC,DISC;4.7nF,20%,3KV,Y5U,TP,16x5	
....4	C512	2401-000133 C-AL;1000uF,20%,16V,GP,TP,10x20,5	
....4	C513	2201-000983 C-CERAMIC,DISC;1nF,10%,2kV,Y5P,TP,9x5,7	
....4	C514	2201-000599 C-CERAMIC,DISC;0.56nF,10%,500V,Y5P,TP,5	
....4	C532	2401-000027 C-AL;4.7uF,20%,50V,GP,TP,5x11,5	
....4	C533	2201-000119 C-CERAMIC,DISC;100nF,+80-20%,50V,Y5V,TP,	
....4	C534	2401-001537 C-AL;47uF,20%,25V,GP,TP,6.3x7mm,5mm	
....4	C535	2305-000149 C-FILM,MPEF;100nF,5%,100V,TP,12x12.5x6.5	
....4	C536	2401-000430 C-AL;10uF,20%,250V,GP,TP,10x16mm,5m	
....4	C537	2305-000154 C-FILM,MPEF;100nF,5%,400V,TP,21.5x6.5x11	
....4	C540	2401-000430 C-AL;10uF,20%,250V,GP,TP,10x16mm,5m	
....4	C541	2201-000723 C-CERAMIC,DISC;4.7nF,20%,3KV,Y5U,TP,16x5	
....4	C542	2201-000983 C-CERAMIC,DISC;1nF,10%,2kV,Y5P,TP,9x5,7	
....4	C543	2201-000599 C-CERAMIC,DISC;0.56nF,10%,500V,Y5P,TP,5	
....4	C562	2401-000027 C-AL;4.7uF,20%,50V,GP,TP,5x11,5	
....4	C563	2201-000119 C-CERAMIC,DISC;100nF,+80-20%,50V,Y5V,TP,	
....4	C564	2401-001537 C-AL;47uF,20%,25V,GP,TP,6.3x7mm,5mm	
....4	C565	2305-000149 C-FILM,MPEF;100nF,5%,100V,TP,12x12.5x6.5	
....4	C566	2401-000430 C-AL;10uF,20%,250V,GP,TP,10x16mm,5m	
....4	C567	2305-000154 C-FILM,MPEF;100nF,5%,400V,TP,21.5x6.5x11	
....4	C570	2401-000430 C-AL;10uF,20%,250V,GP,TP,10x16mm,5m	
....4	C571	2201-000723 C-CERAMIC,DISC;4.7nF,20%,3KV,Y5U,TP,16x5	
....4	C572	2201-000983 C-CERAMIC,DISC;1nF,10%,2kV,Y5P,TP,9x5,7	

Loc. No.	Code No.	Description ; Specification	Remark
....4	C573	2201-000599 C-CERAMIC,DISC;0.56nF,10%,500V,Y5P,TP,5	
....4	CN401	3711-002645 CONNECTOR-HEADER;BOX,6P,1R,2.5mm,STRAIGH	
....4	D501	0402-000546 DIODE-RECTIFIER;TVR10G,400V,1.0A,DO-41,T	
....4	D502	0402-000546 DIODE-RECTIFIER;TVR10G,400V,1.0A,DO-41,T	
....4	D503	0402-000493 DIODE-RECTIFIER;1R5GU41,400V,1.5A,DO-15L	
....4	D504	0401-000005 DIODE-SWITCHING;1N4148,100V,200mA,DO-35	
....4	D509	0401-000005 DIODE-SWITCHING;1N4148,100V,200mA,DO-35	
....4	D510	0401-000005 DIODE-SWITCHING;1N4148,100V,200mA,DO-35	
....4	D531	0402-000546 DIODE-RECTIFIER;TVR10G,400V,1.0A,DO-41,T	
....4	D532	0402-000546 DIODE-RECTIFIER;TVR10G,400V,1.0A,DO-41,T	
....4	D533	0402-000493 DIODE-RECTIFIER;1R5GU41,400V,1.5A,DO-15L	
....4	D561	0402-000546 DIODE-RECTIFIER;TVR10G,400V,1.0A,DO-41,T	
....4	D562	0402-000546 DIODE-RECTIFIER;TVR10G,400V,1.0A,DO-41,T	
....4	D563	0402-000493 DIODE-RECTIFIER;1R5GU41,400V,1.5A,DO-15L	
....4	DZ501	0403-000334 DIODE-ZENER;UZZ.7B5A,2.7V,2.54-2.75V,500	
....4	DZ502	0403-000508 DIODE-ZENER;MTZJ5.6B,5.6V,5.45-5.73V,500	
....4	DZ503	0403-000708 DIODE-ZENER;MTZJ13B,13V,12.55-13.21V,500	
....4	DZ531	0403-000334 DIODE-ZENER;UZZ.7B5A,2.7V,2.54-2.75V,500	
....4	DZ532	0403-000508 DIODE-ZENER;MTZJ5.6B,5.6V,5.45-5.73V,500	
....4	DZ533	0403-000708 DIODE-ZENER;MTZJ13B,13V,12.55-13.21V,500	
....4	DZ561	0403-000334 DIODE-ZENER;UZZ.7B5A,2.7V,2.54-2.75V,500	
....4	DZ562	0403-000508 DIODE-ZENER;MTZJ5.6B,5.6V,5.45-5.73V,500	
....4	DZ563	0403-000708 DIODE-ZENER;MTZJ13B,13V,12.55-13.21V,500	
....4	EL503	AA60-40011B EYELET;ID2.2,OD3.2,BSP	S.N.A
....4	EL504	AA60-40011B EYELET;ID2.2,OD3.2,BSP	S.N.A
....4	EL505	AA60-40011B EYELET;ID2.2,OD3.2,BSP	S.N.A
....4	EL533	AA60-40011B EYELET;ID2.2,OD3.2,BSP	S.N.A
....4	EL534	AA60-40011B EYELET;ID2.2,OD3.2,BSP	S.N.A
....4	EL535	AA60-40011B EYELET;ID2.2,OD3.2,BSP	S.N.A
....4	EL563	AA60-40011B EYELET;ID2.2,OD3.2,BSP	S.N.A
....4	EL564	AA60-40011B EYELET;ID2.2,OD3.2,BSP	S.N.A
....4	EL565	AA60-40011B EYELET;ID2.2,OD3.2,BSP	S.N.A
....4	GT501	AA60-40014A PIN-GT,ASSY,AUTO	S.N.A
....4	GT502	AA60-40014A PIN-GT,ASSY,AUTO	S.N.A
....4	GT503	AA60-40014A PIN-GT,ASSY,AUTO	S.N.A
....4	GT504	AA60-40014A PIN-GT,ASSY,AUTO	S.N.A
....4	GT531	AA60-40014A PIN-GT,ASSY,AUTO	S.N.A
....4	GT532	AA60-40014A PIN-GT,ASSY,AUTO	S.N.A
....4	GT533	AA60-40014A PIN-GT,ASSY,AUTO	S.N.A
....4	GT534	AA60-40014A PIN-GT,ASSY,AUTO	S.N.A
....4	GT561	AA60-40014A PIN-GT,ASSY,AUTO	S.N.A
....4	GT562	AA60-40014A PIN-GT,ASSY,AUTO	S.N.A
....4	GT563	AA60-40014A PIN-GT,ASSY,AUTO	S.N.A
....4	GT564	AA60-40014A PIN-GT,ASSY,AUTO	S.N.A
....4	GT565	AA60-40014A PIN-GT,ASSY,AUTO	S.N.A
....4	GT566	AA60-40014A PIN-GT,ASSY,AUTO	S.N.A
....4	L501	2701-000114 INDUCTOR-AXIAL;10uH,10%,2.5x3.4mm	
....4	L531	2701-000114 INDUCTOR-AXIAL;10uH,10%,2.5x3.4mm	
....4	L561	2701-000114 INDUCTOR-AXIAL;10uH,10%,2.5x3.4mm	
....4	PCB	AA41-00406B PCB-CRT;PCL545R,FR-1,1L,B,1.6T,245X245,P	S.N.A
....4	Q501	0502-000006 TR-POWER;KSC1507,NPN,15W,TO-220,TP,120-	
....4	Q502	0501-000389 TR-SMALL SIGNAL;KSC815,NPN,400mW,TO-92,T	
....4	Q504	0501-000283 TR-SMALL SIGNAL;KSA539,PNP,400mW,TO-92,T	
....4	Q531	0502-000006 TR-POWER;KSC1507,NPN,15W,TO-220,TP,120-	
....4	Q533	0501-000283 TR-SMALL SIGNAL;KSA539,PNP,400mW,TO-92,T	
....4	Q561	0502-000006 TR-POWER;KSC1507,NPN,15W,TO-220,TP,120-	
....4	Q563	0501-000283 TR-SMALL SIGNAL;KSA539,PNP,400mW,TO-92,T	
....4	R500	2001-000613 R-CARBON;3.9KOHM,5%,1/8W,AA,TP,1.8X3.2MM	
....4	R502	2001-000995 R-CARBON;820OHM,5%,1/8W,AA,TP,1.8X3.2MM	
....4	R503	2001-000429 R-CARBON;1KOHM,5%,1/8W,AA,TP,1.8X3.2MM	
....4	R504	2001-000006 R-CARBON;2.4KOHM,5%,1/8W,AA,TP,1.8X3.2MM	
....4	R505	2001-000362 R-CARBON;150OHM,5%,1/8W,AA,TP,1.8X3.2MM	
....4	R506	2001-001049 R-CARBON(S);1.3KOHM,5%,1/2W,AA,TP,2.4X6	
....4	R507	2001-001088 R-CARBON(S);1KOHM,5%,1/2W,AA,TP,2.4X6.4M	
....4	R508	R-METAL OXIDE(S);56Kohm,5%,1/2W,AA,TP,4x12	
....4	R509	2001-000734 R-CARBON;4.7KOHM,5%,1/8W,AA,TP,1.8X3.2MM	
....4	R510	2001-001000 R-CARBON;820OHM,5%,1/8W,AA,TP,1.8X3.2MM	
....4	R511	2001-000313 R-CARBON;11KOHM,5%,1/8W,AA,TP,1.8X3.2MM	
....4	R513	2008-001129 R-FUSIBLE(S);1.5ohm,5%,1/2W,AF,TP,2.5x6	
....4	R514	2001-001122 R-CARBON(S);3.9KOHM,5%,1/2W,AA,TP,2.4X6	
....4	R515	2002-001017 R-COMPOSITION;1Kohm,10%,1/2W,AA,TP,3.7x9	
....4	R516	2001-000009 R-CARBON;20KOHM,5%,1/8W,AA,TP,1.8X3.2MM	
....4	R517	2001-000085 R-CARBON(S);100KOHM,5%,1/2W,AA,TP,2.4X6	

Electrical Parts List

Loc. No.	Code No.	Description ; Specification	Remark	Loc. No.	Code No.	Description ; Specification	Remark
....4	RZ101	2001-000241 R-CARBON;1.5KOHM,5%,1/8W,AA,TP,1.8X3.2MM	4	L721	2702-001094 INDUCTOR-RADIAL;10uH,10%,6x4mm	
....4	RZ102	2001-000221 R-CARBON;1.2KOHM,5%,1/8W,AA,TP,1.8X3.2MM	4	L722	2702-001094 INDUCTOR-RADIAL;10uH,10%,6x4mm	
....4	RZ103	2003-000713 R-METAL OXIDE(S);47ohm,5%,2W,AF,TP,4x12m	4	L723	2702-001094 INDUCTOR-RADIAL;10uH,10%,6x4mm	
....4	RZ104	2001-001100 R-CARBON(S);2.7OHM,5%,1/2W,AA,TP,2.4X6.4	4	L724	2702-001094 INDUCTOR-RADIAL;10uH,10%,6x4mm	
....4	RZ105	2001-001139 R-CARBON(S);39KOHM,5%,1/2W,AA,TP,2.4X6.4	4	L725	2702-001094 INDUCTOR-RADIAL;10uH,10%,6x4mm	
....4	RZ106	2001-001139 R-CARBON(S);39KOHM,5%,1/2W,AA,TP,2.4X6.4	4	L726	2702-001094 INDUCTOR-RADIAL;10uH,10%,6x4mm	
....4	RZ107	2001-000331 R-CARBON;1.2KOHM,5%,1/8W,AA,TP,1.8X3.2MM	4	LD01	2901-000297 FILTER-EMI ON BOARD;-3A,-,-,3.5x5,TP-	
....4	RZ108	2001-000241 R-CARBON;1.5KOHM,5%,1/8W,AA,TP,1.8X3.2MM	4	LD02	2901-000297 FILTER-EMI ON BOARD;-3A,-,-,3.5x5,TP-	
....4	RZ109	2001-000221 R-CARBON;1.2KOHM,5%,1/8W,AA,TP,1.8X3.2MM	4	LD04	2901-000297 FILTER-EMI ON BOARD;-3A,-,-,3.5x5,TP-	
....4	RZ110	2001-001100 R-CARBON(S);2.7OHM,5%,1/2W,AA,TP,2.4X6.4	4	RN701	2011-000160 R-NETWORK;10Kohm,5%,1/8W,A,SIP,9P,TP	
....4	RZ111	2003-000713 R-METAL OXIDE(S);47ohm,5%,2W,AF,TP,4x12m	4	AA97-06159A	ASSY SMD-SUB;DP,PCL5415R3S,P51A	
....4	RZ112	2003-002157 R-METAL OXIDE;220OHM,5%,2W,AG,TP,6X16MM	5	C702	2203-000181 C-CERAMIC,CHIP;100nF,+80-20%,25V,Y5V,TP,	
....4	RZ113	2003-002157 R-METAL OXIDE;220OHM,5%,2W,AG,TP,6X16MM	5	C704	2203-000815 C-CERAMIC,CHIP;0.033nF,5%,50V,NP0,TP,160	
....4	RZ114	2003-000532 R-METAL OXIDE(S);18ohm,5%,2W,AF,TP,4x12m	5	C705	2203-000815 C-CERAMIC,CHIP;0.033nF,5%,50V,NP0,TP,160	
....4	RZ115	2001-000832 R-CARBON;510OHM,5%,1/8W,AA,TP,1.8X3.2MM	5	C706	2203-000975 C-CERAMIC,CHIP;47nF,10%,25V,X7R,TP,1608,	
....4	RZ116	2001-000331 R-CARBON;1.2KOHM,5%,1/8W,AA,TP,1.8X3.2MM	5	C707	2203-000975 C-CERAMIC,CHIP;47nF,10%,25V,X7R,TP,1608,	
....4	RZ117	2001-000258 R-CARBON;1.8KOHM,5%,1/8W,AA,TP,1.8X3.2MM	5	C708	2203-000975 C-CERAMIC,CHIP;47nF,10%,25V,X7R,TP,1608,	
....4	RZ118	2001-000258 R-CARBON;1.8KOHM,5%,1/8W,AA,TP,1.8X3.2MM	5	C709	2203-000975 C-CERAMIC,CHIP;47nF,10%,25V,X7R,TP,1608,	
....4	RZ119	2001-000554 R-CARBON;270OHM,5%,1/8W,AA,TP,1.8X3.2MM	5	C710	2203-000975 C-CERAMIC,CHIP;47nF,10%,25V,X7R,TP,1608,	
....4	RZ121	2001-000666 R-CARBON;330HM,5%,1/8W,AA,TP,1.8X3.2MM	5	C711	2203-000975 C-CERAMIC,CHIP;47nF,10%,25V,X7R,TP,1608,	
....4	RZ122	2001-000019 R-CARBON(S);100HM,5%,1/2W,AA,TP,2.4X6.4M	5	C712	2203-000181 C-CERAMIC,CHIP;100nF,+80-20%,25V,Y5V,TP,	
....4	RZ123	2003-002157 R-METAL OXIDE;220OHM,5%,2W,AG,TP,6X16MM	5	C713	2203-000975 C-CERAMIC,CHIP;47nF,10%,25V,X7R,TP,1608,	
....3	0202-000187	SOLDER-WIRE FLUX;-RS60S,D1.2,63Sn/37Pb	S.N.A5	C714	2203-000975 C-CERAMIC,CHIP;47nF,10%,25V,X7R,TP,1608,	
....3	3301-001201	CORE-FERRITE;AE,21x11x32mm,1500,280G	5	C715	2203-000975 C-CERAMIC,CHIP;47nF,10%,25V,X7R,TP,1608,	
....3	6003-001023	SCREW-TAPTITE;RWH,+B,M3,L10,ZPC(YEL),SW	S.N.A5	C717	2203-000181 C-CERAMIC,CHIP;100nF,+80-20%,25V,Y5V,TP,	
....3	AA33-00011A	MAGNET CONVERGENCE;JH92LTU-36C,29.1MM,0.	5	C718	2203-000975 C-CERAMIC,CHIP;47nF,10%,25V,X7R,TP,1608,	
....2	AA95-01841C	ASSY SUB-PCB,SENSOR;DP,PCL545R,P54A,AA95	5	C719	2203-000975 C-CERAMIC,CHIP;47nF,10%,25V,X7R,TP,1608,	
....3	CN01	3711-002642 CONNECTOR-HEADER;BOX,3P,1R,2.5mm,STRAIGH	5	C720	2203-000975 C-CERAMIC,CHIP;47nF,10%,25V,X7R,TP,1608,	
....3	D01	0603-001067 PHOTO DIODE;-10V,560nm,BK	5	C721	2203-000975 C-CERAMIC,CHIP;47nF,10%,25V,X7R,TP,1608,	
....3	AA97-05353A	ASSY AUTO-SUB;DP,PCL545R,P54A	S.N.A5	C722	2203-000975 C-CERAMIC,CHIP;47nF,10%,25V,X7R,TP,1608,	
....4	PCB	AA41-00433B PCB-SENSOR;PCL545R,CEM-1,1LA,1.6T,245X2	S.N.A5	C723	2203-000181 C-CERAMIC,CHIP;100nF,+80-20%,25V,Y5V,TP,	
....4	Q01	0501-000389 TR-SMALL SIGNAL;KSC815,NPN,400mW,T0-92,T	5	C724	2203-000975 C-CERAMIC,CHIP;47nF,10%,25V,X7R,TP,1608,-	
....4	R01	2001-000739 R-CARBON;4.7MOHM,5%,1/8W,AA,TP,1.8X3.2MM	5	C727	2203-000975 C-CERAMIC,CHIP;47nF,10%,25V,X7R,TP,1608,-	
....4	R02	2001-000739 R-CARBON;4.7MOHM,5%,1/8W,AA,TP,1.8X3.2MM	5	C732	2203-000440 C-CERAMIC,CHIP;1nF,10%,50V,X7R,TP,1608,-	
....4	R03	2001-000454 R-CARBON;2.2MOHM,5%,1/8W,AA,TP,1.8X3.2MM	5	C733	2203-000440 C-CERAMIC,CHIP;1nF,10%,50V,X7R,TP,1608,-	
....3	0202-000187	SOLDER-WIRE FLUX;-RS60S,D1.2,63Sn/37Pb	S.N.A5	C734	2203-000440 C-CERAMIC,CHIP;1nF,10%,50V,X7R,TP,1608,-	
....2	AA95-01849X	ASSY SUB-PCB,TERMINAL;DP,PCL5415R3S,P51A	5	C735	2203-000440 C-CERAMIC,CHIP;1nF,10%,50V,X7R,TP,1608,-	
....3	CNT01	3711-003630 CONNECTOR-HEADER;BOX,32P,2R,2.54mm,ANGLE	5	C736	2203-000440 C-CERAMIC,CHIP;1nF,10%,50V,X7R,TP,1608,-	
....3	CNT02	3711-003630 CONNECTOR-HEADER;BOX,32P,2R,2.54mm,ANGLE	5	C737	2203-000440 C-CERAMIC,CHIP;1nF,10%,50V,X7R,TP,1608,-	
....3	CNY01	3711-003601 CONNECTOR-HEADER;BOX,12P,1R,2.5mm,ANGLE,	5	C739	2203-000181 C-CERAMIC,CHIP;100nF,+80-20%,25V,Y5V,TP,	
....3	IC703	0904-001121 IC-I/O SUPPORT CHIP;8574,8BIT,DIP,16P,30	5	C741	2203-000181 C-CERAMIC,CHIP;100nF,+80-20%,25V,Y5V,TP,	
....3	IC705	0801-000213 IC-CMOS LOGIC;4052,MULTIPLEXER,DIP,16P,3	5	C768	2203-000975 C-CERAMIC,CHIP;47nF,10%,25V,X7R,TP,1608,	
....3	ICD01	1204-001510 IC-SEPARATOR;EL4583CN,DIP,16P,-,PLASTIC,	5	C769	2203-000975 C-CERAMIC,CHIP;47nF,10%,25V,X7R,TP,1608,	
....3	ICD02	0801-000284 IC-CMOS LOGIC;4528,MULTIVIBRATOR,DIP,16P	5	CD02	2203-000181 C-CERAMIC,CHIP;100nF,+80-20%,25V,Y5V,TP,	
....3	ICD03	1204-001510 IC-SEPARATOR;EL4583CN,DIP,16P,-,PLASTIC,	5	CD04	2203-000181 C-CERAMIC,CHIP;100nF,+80-20%,25V,Y5V,TP,	
....3	JKV02	3722-001039 JACK-PIN;9P,3.4MM,SN,BLK,#16-22	5	CD05	2203-000681 C-CERAMIC,CHIP;0.027nF,5%,50V,NP0,TP,160	
....3	JKV03	3722-001382 JACK-PIN;5P(9P),3.4MM,NI,R/W/G/BLUE,-	5	CD07	2203-000181 C-CERAMIC,CHIP;100nF,+80-20%,25V,Y5V,TP,	
....3	JKV04	3722-001382 JACK-PIN;5P(9P),3.4MM,NI,R/W/G/BLUE,-	5	CD08	2203-000181 C-CERAMIC,CHIP;100nF,+80-20%,25V,Y5V,TP,	
....3	JKV08	3722-000544 JACK-VHS;4P,11.5mm,AG,BLK,N	5	CD09	2203-000440 C-CERAMIC,CHIP;1nF,10%,50V,X7R,TP,1608,-	
....3	RD18	2001-000954 R-CARBON;750KOHM,5%,1/8W,AA,TP,1.8X3.2MM	5	CD10	2203-000257 C-CERAMIC,CHIP;10nF,10%,50V,X7R,TP,1608,-	
....3	AA97-05199A	ASSY AUTO-SUB;DP,PCL5415R3S,P51A	5	CD13	2203-000181 C-CERAMIC,CHIP;100nF,+80-20%,25V,Y5V,TP,	
....4	C701	2401-002009 C-AL;100uF,20%,16V,GP,TP,6.3x7,5	5	CD14	2203-000181 C-CERAMIC,CHIP;100nF,+80-20%,25V,Y5V,TP,	
....4	C716	2401-002009 C-AL;100uF,20%,16V,GP,TP,6.3x7,5	5	CD15	2203-000181 C-CERAMIC,CHIP;100nF,+80-20%,25V,Y5V,TP,	
....4	C730	2401-002299 C-AL;4.7uF,20%,50V,GP,TP,5x7,5	5	CD18	2203-000681 C-CERAMIC,CHIP;0.027nF,5%,50V,NP0,TP,160	
....4	C731	2401-002299 C-AL;4.7uF,20%,50V,GP,TP,5x7,5	5	IC701	1001-001030 IC-VIDEO SWITCH;TDA6920X,-,SOP,28P,300MI	
....4	C738	2401-002009 C-AL;100uF,20%,16V,GP,TP,6.3x7,5	5	IC702	1001-001030 IC-VIDEO SWITCH;TDA6920X,-,SOP,28P,300MI	
....4	C740	2401-002009 C-AL;100uF,20%,16V,GP,TP,6.3x7,5	5	PCB	AA41-00343A PCB-TERMINAL;PCL545R,FR-4,2LA,1.6T,180X	S.N.A
....4	C760	2401-000665 C-AL;2.2uF,20%,50V,GP,TP,3.5x5,5	5	Q701	0501-000727 TR-SMALL SIGNAL;BC848C,NPN,310mW,SOT-23,	
....4	C761	2401-000665 C-AL;2.2uF,20%,50V,GP,TP,3.5x5,5	5	Q702	0501-000727 TR-SMALL SIGNAL;BC848C,NPN,310mW,SOT-23,	
....4	C762	2401-000665 C-AL;2.2uF,20%,50V,GP,TP,3.5x5,5	5	Q703	0501-000727 TR-SMALL SIGNAL;BC848C,NPN,310mW,SOT-23,	
....4	C763	2401-000665 C-AL;2.2uF,20%,50V,GP,TP,3.5x5,5	5	Q704	0501-000727 TR-SMALL SIGNAL;BC848C,NPN,310mW,SOT-23,	
....4	C764	2401-000665 C-AL;2.2uF,20%,50V,GP,TP,3.5x5,5	5	Q705	0501-000727 TR-SMALL SIGNAL;BC848C,NPN,310mW,SOT-23,	
....4	C765	2401-000665 C-AL;2.2uF,20%,50V,GP,TP,3.5x5,5	5	Q706	0501-000727 TR-SMALL SIGNAL;BC848C,NPN,310mW,SOT-23,	
....4	C766	2401-000665 C-AL;2.2uF,20%,50V,GP,TP,3.5x5,5	5	Q707	0501-000727 TR-SMALL SIGNAL;BC848C,NPN,310mW,SOT-23,	
....4	C767	2401-000665 C-AL;2.2uF,20%,50V,GP,TP,3.5x5,5	5	Q711	0501-000727 TR-SMALL SIGNAL;BC848C,NPN,310mW,SOT-23,	
....4	C780	2401-002009 C-AL;100uF,20%,16V,GP,TP,6.3x7,5	5	Q712	0501-000727 TR-SMALL SIGNAL;BC848C,NPN,310mW,SOT-23,	
....4	CD01	2401-002183 C-AL;220uF,20%,16V,GP,TP,8x9,5mm	5	Q714	0501-000727 TR-SMALL SIGNAL;BC848C,NPN,310mW,SOT-23,	
....4	CD03	2401-003728 C-AL;10UF,+æ20%,16V,BP,TP,5X7MM,5	5	QD01	0501-000344 TR-SMALL SIGNAL;KSC1623-G,NPN,200mW,SOT-	
....4	CD06	2401-003728 C-AL;10UF,+æ20%,16V,BP,TP,5X7MM,5	5	QD02	0501-000344 TR-SMALL SIGNAL;KSC1623-G,NPN,200mW,SOT-	
....4	CD11	2401-003728 C-AL;10UF,+æ20%,16V,BP,TP,5X7MM,5	5	QD03	0501-000344 TR-SMALL SIGNAL;KSC1623-G,NPN,200mW,SOT-	
....4	CD12	2401-003728 C-AL;10UF,+æ20%,16V,BP,TP,5X7MM,5	5	QD04	0501-000344 TR-SMALL SIGNAL;KSC1623-G,NPN,200mW,SOT-	
....4	CD16	2401-003728 C-AL;10UF,+æ20%,16V,BP,TP,5X7MM,5	5	R701	2007-001167 R-CHIP;75ohm,5%,1/16W,DA,TP,1608	
....4	CD17	2401-003728 C-AL;10UF,+æ20%,16V,BP,TP,5X7MM,5	5	R702	2007-000078 R-CHIP;1Kohm,5%,1/16W,DA,TP,1608	
....4	L701	2702-001094 INDUCTOR-RADIAL;10uH,10%,6x4mm	5	R703	2007-001167 R-CHIP;75ohm,5%,1/16W,DA,TP,1608	
....4	L702	2702-001094 INDUCTOR-RADIAL;10uH,10%,6x4mm	5	R704	2007-001157 R-CHIP;750ohm,5%,1/16W,DA,TP,1608	
....4	L711	2702-001094 INDUCTOR-RADIAL;10uH,10%,6x4mm	5	R705	2007-001167 R-CHIP;75ohm,5%,1/16W,DA,TP,1608	
....4	L720	2702-001094 INDUCTOR-RADIAL;10uH,10%,6x4mm	5	R706	2007-001167 R-CHIP;75ohm,5%,1/16W,DA,TP,1608	

Loc. No.	Code No.	Description ; Specification	Remark	Loc. No.	Code No.	Description ; Specification	Remark	
.....	R707	2007-000084	R-CHIP;4.7Kohm,5%,1/16W,DA,TP,1608	RD08	2007-000090	R-CHIP;10KOHM,5%,1/16W,DA,TP,1608	
.....	R708	2007-000074	R-CHIP;100ohm,5%,1/16W,DA,TP,1608	RD09	2007-000087	R-CHIP;6.8Kohm,5%,1/16W,DA,TP,1608	
.....	R709	2007-000074	R-CHIP;100ohm,5%,1/16W,DA,TP,1608	RD11	2007-000124	R-CHIP;2.2Kohm,5%,1/16W,DA,TP,1608	
.....	R710	2007-000074	R-CHIP;100ohm,5%,1/16W,DA,TP,1608	RD12	2007-000913	R-CHIP;43Kohm,5%,1/16W,DA,TP,1608	
.....	R712	2007-000074	R-CHIP;100ohm,5%,1/16W,DA,TP,1608	RD13	2007-000090	R-CHIP;10KOHM,5%,1/16W,DA,TP,1608	
.....	R713	2007-000074	R-CHIP;100ohm,5%,1/16W,DA,TP,1608	RD14	2007-000124	R-CHIP;2.2Kohm,5%,1/16W,DA,TP,1608	
.....	R714	2007-000074	R-CHIP;100ohm,5%,1/16W,DA,TP,1608	RD15	2007-000094	R-CHIP;22Kohm,5%,1/16W,DA,TP,1608	
.....	R715	2007-001167	R-CHIP;75ohm,5%,1/16W,DA,TP,1608	RD16	2007-000090	R-CHIP;10KOHM,5%,1/16W,DA,TP,1608	
.....	R716	2007-001167	R-CHIP;75ohm,5%,1/16W,DA,TP,1608	RD17	2007-000090	R-CHIP;10KOHM,5%,1/16W,DA,TP,1608	
.....	R717	2007-001167	R-CHIP;75ohm,5%,1/16W,DA,TP,1608	RD19	2007-000084	R-CHIP;4.7Kohm,5%,1/16W,DA,TP,1608	
.....	R718	2007-001167	R-CHIP;75ohm,5%,1/16W,DA,TP,1608	RD20	2007-000084	R-CHIP;4.7Kohm,5%,1/16W,DA,TP,1608	
.....	R719	2007-001167	R-CHIP;75ohm,5%,1/16W,DA,TP,1608	RD21	2007-000078	R-CHIP;1Kohm,5%,1/16W,DA,TP,1608	
.....	R720	2007-000078	R-CHIP;1Kohm,5%,1/16W,DA,TP,1608	RP784	2007-000070	R-CHIP;Oohm,5%,1/16W,DA,TP,1608	
.....	R721	2007-000074	R-CHIP;100ohm,5%,1/16W,DA,TP,1608	RY701	2007-001167	R-CHIP;75ohm,5%,1/16W,DA,TP,1608	
.....	R722	2007-001167	R-CHIP;75ohm,5%,1/16W,DA,TP,1608	RY702	2007-001167	R-CHIP;75ohm,5%,1/16W,DA,TP,1608	
.....	R723	2007-000074	R-CHIP;100ohm,5%,1/16W,DA,TP,1608	RY703	2007-001167	R-CHIP;75ohm,5%,1/16W,DA,TP,1608	
.....	R724	2007-000074	R-CHIP;100ohm,5%,1/16W,DA,TP,1608	...	0202-001167	SOLDER-CREAM;RX3603-2330H,O,S45A,PASTE,SN	S.N.A	
.....	R725	2007-000074	R-CHIP;100ohm,5%,1/16W,DA,TP,1608	...	0202-000187	SOLDER-WIRE FLUX;-,RS60S,D1 2.63Sn/37Pb	S.N.A	
.....	R726	2007-001167	R-CHIP;75ohm,5%,1/16W,DA,TP,1608	..	AA91-04167A	ASSY MISC-CHASSIS PACK;HCM5525W3S/XAA,	S.N.A	
.....	R727	2007-001167	R-CHIP;75ohm,5%,1/16W,DA,TP,1608	...	AA98-01429A	ASSY K/D;SP55W3HFS/XET	S.N.A	
.....	R728	2007-001167	R-CHIP;75ohm,5%,1/16W,DA,TP,1608	..	PM+HC	6003-001023	SCREW-TAPTITE;RWH,+,B,M3,L10,ZPC(YEL),SW	S.N.A
.....	R729	2007-001167	R-CHIP;75ohm,5%,1/16W,DA,TP,1608	..	PP+HC	6003-001023	SCREW-TAPTITE;RWH,+,B,M3,L10,ZPC(YEL),SW	S.N.A
.....	R734	2007-000097	R-CHIP;47Kohm,5%,1/16W,DA,TP,1608	..	PS+HC	6003-001023	SCREW-TAPTITE;RWH,+,B,M3,L10,ZPC(YEL),SW	S.N.A
.....	R735	2007-000097	R-CHIP;47Kohm,5%,1/16W,DA,TP,1608	...	AA61-00504B	HOLDER-CHASSIS;43,54,62J8,ABS,-,-,-,GRAY	S.N.A	
.....	R740	2007-000078	R-CHIP;1Kohm,5%,1/16W,DA,TP,1608	...	AA95-01846D	ASSY SUB-PCB SUB;PCL545R,P54A,AA95-00705	S.N.A	
.....	R741	2007-000078	R-CHIP;1Kohm,5%,1/16W,DA,TP,1608	...	C432	2306-000267	C-FILM,MPPF;8.2nF,5%,1.6KV,TP,28.5x18.5x	S.N.A
.....	R742	2007-000078	R-CHIP;1Kohm,5%,1/16W,DA,TP,1608	...	C438	2306-000267	C-FILM,MPPF;8.2nF,5%,1.6KV,TP,28.5x18.5x	S.N.A
.....	R743	2007-000078	R-CHIP;1Kohm,5%,1/16W,DA,TP,1608	...	C491	2306-000322	C-FILM,MPPF;12nF,5%,1.6KV,TP,29x20.5x13,	S.N.A
.....	R744	2007-000078	R-CHIP;1Kohm,5%,1/16W,DA,TP,1608	...	C876	2401-000787	C-AL;220uf,20%,160V,GP,TP,16x31.5mm	S.N.A
.....	R745	2007-000078	R-CHIP;1Kohm,5%,1/16W,DA,TP,1608	...	CN202	AA39-00116A	LEAD CONNECTOR-ASSY;,12P,YBNH250-12,3515	S.N.A
.....	R748	2007-000084	R-CHIP;4.7Kohm,5%,1/16W,DA,TP,1608	...	CN801	AA39-00180A	LEAD CONNECTOR-ASSY;,14P,YBNH250-14,3515	S.N.A
.....	R749	2007-000100	R-CHIP;68Kohm,5%,1/16W,DA,TP,1608	...	CN802	3711-003974	CONNECTOR-HEADER;BOX,12P,1R,2.5mm,STRAIG	S.N.A
.....	R750	2007-000100	R-CHIP;68Kohm,5%,1/16W,DA,TP,1608	...	CN803	3711-003974	CONNECTOR-HEADER;BOX,12P,1R,2.5mm,STRAIG	S.N.A
.....	R751	2007-000100	R-CHIP;68Kohm,5%,1/16W,DA,TP,1608	...	CNW801	AA39-20061G	LEAD CONNECTOR-ASSY;,3P,YFH800-03,S,100M	S.N.A
.....	R752	2007-000100	R-CHIP;68Kohm,5%,1/16W,DA,TP,1608	...	CNZ02	AA39-00115A	LEAD CONNECTOR-ASSY;,10P,YBNH250-10,3515	S.N.A
.....	R753	2007-000329	R-CHIP;11Kohm,5%,1/16W,DA,TP,1608	△	CR430S	2301-001343	C-FILM,MPPF;3.9nF,5%,2kV,TP,29x9.5x16mm,	S.N.A
.....	R754	2007-000329	R-CHIP;11Kohm,5%,1/16W,DA,TP,1608	△	CR431S	2301-001343	C-FILM,MPPF;3.9nF,5%,2kV,TP,29x9.5x16mm,	S.N.A
.....	R755	2007-000100	R-CHIP;68Kohm,5%,1/16W,DA,TP,1608	△	CR436S	2306-000235	C-FILM,MPPF;560nF,5%,400V,TP,26*22.5*14,	S.N.A
.....	R756	2007-000100	R-CHIP;68Kohm,5%,1/16W,DA,TP,1608	△	CR471S	2301-001091	C-FILM,MPPF;470nF,5%,400V,TP,26x21.5x14,	S.N.A
.....	R757	2007-000100	R-CHIP;68Kohm,5%,1/16W,DA,TP,1608	△	CR473S	2306-000322	C-FILM,MPPF;12nF,5%,1.6KV,TP,29x20.5x13,	S.N.A
.....	R758	2007-000100	R-CHIP;68Kohm,5%,1/16W,DA,TP,1608	△	CR474S	2306-000326	C-FILM,MPPF;4.7nF,5%,1.6KV,TP,28.5x16x9m	S.N.A
.....	R759	2007-000084	R-CHIP;4.7Kohm,5%,1/16W,DA,TP,1608	△	CS803	2401-003370	C-AL;47uf,20%,450V,GP,BK,16x35x5.7,	S.N.A
.....	R760	2007-000074	R-CHIP;100ohm,5%,1/16W,DA,TP,1608	△	CY811S	2201-000446	C-CERAMIC,DISC;3.3nF,20%,400V,Y5U,TP,15x	S.N.A
.....	R761	2007-000122	R-CHIP;1.2Kohm,5%,1/16W,DA,TP,1608	△	CY812S	2201-000446	C-CERAMIC,DISC;3.3nF,20%,400V,Y5U,TP,15x	S.N.A
.....	R762	2007-000074	R-CHIP;100ohm,5%,1/16W,DA,TP,1608	△	D464	0402-000562	DIODE-RECTIFIER;UF5406,600V,3A,DO-201AD,	S.N.A
.....	R763	2007-000074	R-CHIP;100ohm,5%,1/16W,DA,TP,1608	△	D811S	0402-000102	DIODE-BRIDGE;D2SB60,600V,1.5A,-	S.N.A
.....	R764	2007-000122	R-CHIP;1.2Kohm,5%,1/16W,DA,TP,1608	△	IC301	AA96-50406A	ASSY H/S;-,AA62-30180K,LA7845,-	S.N.A
.....	R765	2007-000074	R-CHIP;100ohm,5%,1/16W,DA,TP,1608	0205-000129	GREASE-SILICON;SC102,JAPAN	S.N.A	
.....	R766	2007-000074	R-CHIP;100ohm,5%,1/16W,DA,TP,1608	1204-000517	IC-VERTICAL DEF.;LA7845,SIP,7P,-,PLASTIC	S.N.A	
.....	R767	2007-000074	R-CHIP;100ohm,5%,1/16W,DA,TP,1608	6003-000333	SCREW-TAPTITE;RH,+,2S,M3,L10,ZPC(YEL),SW	S.N.A	
.....	R768	2007-000074	R-CHIP;100ohm,5%,1/16W,DA,TP,1608	AA62-30180K	HEAT SINK-ES;-A6063 EXTR,-,WHT,50/13,-,	S.N.A	
.....	R769	2007-000074	R-CHIP;100ohm,5%,1/16W,DA,TP,1608	△	IC421	1203-000165	IC-POS1.ADJUST REG.;78R12,TO-220,4P,-,PL	S.N.A
.....	R774	2007-001167	R-CHIP;75ohm,5%,1/16W,DA,TP,1608	△	IC430	1203-000162	IC-POS1.ADJUST REG.;317,TO-220,3P,-,PLAS	S.N.A
.....	R775	2007-000070	R-CHIP;Oohm,5%,1/16W,DA,TP,1608	△	IC431	1201-000191	IC-OP AMP;4558,DIP,8P;300MIL,DUAL,20V/mV	S.N.A
.....	R776	2007-001167	R-CHIP;75ohm,5%,1/16W,DA,TP,1608	△	IC471	1203-000610	IC-PWM CONTROLLER;494,DIP,16P;300MIL,PLA	S.N.A
.....	R777	2007-001167	R-CHIP;75ohm,5%,1/16W,DA,TP,1608	△	ICS801	AA13-00024A	IC HYBRID;-TNY253P,-8PIN,-	S.N.A
.....	R779	2007-001167	R-CHIP;75ohm,5%,1/16W,DA,TP,1608	ICS807	AA96-00111P	ASSY H/S;-MAIN,AA62-30013L,KA278RA05,FA	S.N.A
.....	R780	2007-000078	R-CHIP;1Kohm,5%,1/16W,DA,TP,1608	1203-001978	IC-VOLTAGE REGULATOR;KA278RA05,TO-220F,4	S.N.A	
.....	R788	2007-000078	R-CHIP;1Kohm,5%,1/16W,DA,TP,1608	6003-000333	SCREW-TAPTITE;RH,+,2S,M3,L10,ZPC(YEL),SW	S.N.A	
.....	R791	2007-000074	R-CHIP;100ohm,5%,1/16W,DA,TP,1608	AA62-30013L	HEAT SINK-ES;-,-,-,44/22,-,WHT,-,-,-	S.N.A	
.....	R792	2007-000074	R-CHIP;100ohm,5%,1/16W,DA,TP,1608	ICZ103	AA96-00891A	ASSY H/S;-CONVERGENCE,AA62-30173L,STK39	S.N.A
.....	R793	2007-000074	R-CHIP;100ohm,5%,1/16W,DA,TP,1608	0205-000129	GREASE-SILICON;SC102,JAPAN	S.N.A	
.....	R794	2007-000074	R-CHIP;100ohm,5%,1/16W,DA,TP,1608	1201-001225	IC-VIDEO AMP;392,SIP,22P,-,TRIPLE,-,PLAS	S.N.A	
.....	R795	2007-000070	R-CHIP;Oohm,5%,1/16W,DA,TP,1608	6003-001021	SCREW-TAPTITE;RH,+,B,M3,L15,ZPC(YEL),SWR	S.N.A	
.....	R796	2007-000070	R-CHIP;Oohm,5%,1/16W,DA,TP,1608	AA62-30173L	HEAT SINK;PJT,A6063,T2,O,H130,CG MODULE	S.N.A	
.....	R797	2007-000070	R-CHIP;Oohm,5%,1/16W,DA,TP,1608	AA96-00891A	ASSY H/S;-CONVERGENCE,AA62-30173L,STK39	S.N.A	
.....	R820	2007-000070	R-CHIP;Oohm,5%,1/16W,DA,TP,1608	L432	AA27-00095A	COIL HORIZ. WIDTH;-600uH,YL9N 15x27.5 C	S.N.A
.....	R821	2007-000070	R-CHIP;Oohm,5%,1/16W,DA,TP,1608	L434	AA27-00221A	COIL HORIZ. WIDTH;600UH,600UH,SB5S OS6X2	S.N.A
.....	R829	2007-000078	R-CHIP;1Kohm,5%,1/16W,DA,TP,1608	L435	AA27-10001C	COIL CHOKE;-100uH,K,-5.0A,ST,700UH-K(R	S.N.A
.....	R830	2007-001167	R-CHIP;75ohm,5%,1/16W,DA,TP,1608	L854	AA27-10001C	COIL CHOKE;-100uH,K,-5.0A,ST,700UH-K(R	S.N.A
.....	RD01	2007-000084	R-CHIP;4.7Kohm,5%,1/16W,DA,TP,1608	L860	AA27-10001C	COIL CHOKE;-100uH,K,-5.0A,ST,700UH-K(R	S.N.A
.....	RD02	2007-000084	R-CHIP;4.7Kohm,5%,1/16W,DA,TP,1608	L862	AA27-10001C	COIL CHOKE;-100uH,K,-5.0A,ST,700UH-K(R	S.N.A
.....	RD03	2007-000094	R-CHIP;22Kohm,5%,1/16W,DA,TP,1608	L872	AA27-10001C	COIL CHOKE;-100uH,K,-5.0A,ST,700UH-K(R	S.N.A
.....	RD04	2007-000096	R-CHIP;30Kohm,5%,1/16W,DA,TP,1608	L874	AA27-10002L	COIL CHOKE;-24uH,K,-2A,-,24UH-K,10x10m	S.N.A
.....	RD05	2007-000078	R-CHIP;1Kohm,5%,1/16W,DA,TP,1608	△	LC431S	AA27-30003M	COIL LINEARITY;-5uH,OWA 14x15,USRC0.1x60	S.N.A
.....	RD06	2007-000090	R-CHIP;10KOHM,5%,1/16W,DA,TP,1608	△	PC811S	0604-001032	PHOTO-COUPLER;TR,170-260%,300mW,DIP-4,ST	S.N.A
.....	RD07	2007-000106	R-CHIP;220Kohm,5%,1/16W,DA,TP,1608	Q353	0502-000442	TR-POWER;2SC4636RB,NPN,2W,TO-220,ST,10-	S.N.A

Electrical Parts List

Loc. No.	Code No.	Description ; Specification	Remark
....4	Q431	AA96-00033E ASSY H/S;- ,H-OUT,AA62-30173C,2SC5446, FM	S.N.A
.....5		AA62-30173C HEAT SINK-ES;- ,T1.0,WHITE,SCREW-HOLE2	S.N.A
.....5		AA60-30001A WASHER-PLATE;M3,JD3.5,15X8.5,T1.0,SBHG	S.N.A
.....5		AA02-00007A SUB ETC-MICA;DPM-04,MICA,22x29x0.15mm	S.N.A
.....5		6003-000333 SCREW-TAPTITE;RH,+2S,M3,L10,ZPC(YEL),SW	S.N.A
.....5		0502-001175 TR-POWER;2SC5446,NPN,20000mW,TO-3PL,BK,	
.....5		0402-001296 DIODE-RECTIFIER;FMP-3FU,1.5KV,5A,TO-3PF,	
.....5		0205-000129 GREASE-SILICON;SC102,JAPAN	S.N.A
....4	Q433	AA96-50407A ASSY H/S;- ,AA62-30154G,KSD73Y,-	S.N.A
.....5		0205-000129 GREASE-SILICON;SC102,JAPAN	S.N.A
.....5		0502-000298 TR-POWER;KSD73,NPN,30000mW,TO-220,TP,120	
.....5		6003-000333 SCREW-TAPTITE;RH,+2S,M3,L10,ZPC(YEL),SW	S.N.A
.....5		AA62-30154G HEAT SINK-ES;- ,A6063 EXTR,-,WHT,50/16,-,	S.N.A
....4	Q441	AA96-50383F ASSY H/S;- ,AA62-30180D,2SD921,-	S.N.A
.....5		0205-000129 GREASE-SILICON;SC102,JAPAN	S.N.A
.....5		0502-001104 TR-POWER;2SD921,NPN,80W,TO-3P,BK,700-	
.....5		6003-000333 SCREW-TAPTITE;RH,+2S,M3,L10,ZPC(YEL),SW	S.N.A
.....5		AA62-30180D HEAT SINK-ES;- ,A6063 EXTR,-,2,WHT,50mm,-,	S.N.A
....4	Q473	AA96-00037A ASSY H/S;- ,AA62-30181N,2SC4125, IRFS64	S.N.A
.....5		AA62-30181N HEAT SINK-ES;- ,T1.0,WHITE,SCREW-HOLE2	S.N.A
.....5		AA60-30001A WASHER-PLATE;M3,JD3.5,15X8.5,T1.0,SBHG	S.N.A
.....5		6003-000333 SCREW-TAPTITE;RH,+2S,M3,L10,ZPC(YEL),SW	S.N.A
.....5		0505-001202 FET-SILICON;IRFS640A,N,200V,9.8A,0.18ohm	
.....5		0502-001100 TR-POWER;2SC4125,NPN,70W,TO-3PML,BK,8-	
.....5		0205-000129 GREASE-SILICON;SC102,JAPAN	S.N.A
△	RL811S	3501-001053 RELAY-POWER;5Vdc,530mW,10A,1FormA,15mS,5	
△	RL812S	3501-001040 RELAY-POWER;12VDC,500mW,10A,1FormA,15mS,	
△	T431	AA26-50001U TRANS-HORIZ.DRIVE;- ,-,28mH,-,-,105uH,-	
△	T432	AA26-00012A TRANS-DUMMY;- ,-,,-,-,-,-,-,-,-,-,-,EER4	
△	T433	AA26-00011A TRANS-DUMMY;- ,-,,-,-,-,-,-,-,-,-,-,EE28	
△	T444S	AA26-00100A TRANS FBT;FFA97513L,CT29A7DR,0.3mH,-,-,-	
△	T461	AA26-50001V TRANS-HORIZ.DRIVE;- ,-,6.0mH,-,-,113uH,	
△	T481	AA26-00091A TRANS-HV-STORAGE;4mH,-,-,14P,830uH,180V,10	
△	TS811S	AA26-00055B TRANS SWITCHING;- ,HLK436W,AC80V,AC80-280V	
....4		3301-001201 CORE-FERRITE;AE,21x11x32mm,1500,280G	
....4		AA97-05175A ASSY AUTO-SUB;PCL545R,P54A	
....5	C301	2305-000427 C-FILM,MPEF;47nF,5%,100V,TP,7.5x12.5x3.5	
....5	C302	2201-000292 C-CERAMIC,DISC;1nf,10%,50V,Y5P,TP,5x3.5,	
....5	C303	2305-000427 C-FILM,MPEF;47nF,5%,100V,TP,7.5x12.5x3.5	
....5	C304	2201-000292 C-CERAMIC,DISC;1nf,10%,50V,Y5P,TP,5x3.5,	
....5	C305	2201-002022 C-CERAMIC,DISC;0.005nF,0.25pF,500V,NP0,T	
....5	C307	2401-000365 C-AL;100uF,20%,50V,WT,TP,10x12.5mm,	
....5	C308	2401-000365 C-AL;100uF,20%,50V,WT,TP,10x12.5mm,	
....5	C309	2305-000285 C-FILM,MPEF;220NF,5%,100V,TP,10.5X5.5X15	
....5	C311	2305-000149 C-FILM,MPEF;100nF,5%,100V,TP,12x12.5x6.5	
....5	C351	2401-000471 C-AL;10uF,20%,50V,BP,TP,5x11.5mm	
....5	C352	2401-001989 C-AL;4.7uF,20%,50V,BP,TP,5x11.5	
....5	C353	2401-000480 C-AL;10uF,20%,50V,GP,TP,5x11.5	
....5	C354	2401-002300 C-AL;47uF,20%,50V,GP,TP,6.3x11.5	
....5	C355	2201-000991 C-CERAMIC,DISC;0.56nF,10%,2kV,Y5P,TP,7.5	
....5	C405	2201-000558 C-CERAMIC,DISC;0.47nf,10%,50V,Y5P,TP,5x3	
....5	C406	2201-000370 C-CERAMIC,DISC;0.22nf,10%,50V,Y5P,TP,4x3	
....5	C412	2401-000383 C-FILM,PEF;10nF,5%,50V,TP,6x7x3.2mm,5mm	
....5	C413	2401-000360 C-AL;100uF,20%,50V,GP,TP,8x11.5,5	
....5	C417	2401-001397 C-AL;470uF,20%,25V,GP,TP,10x16,5	
....5	C418	2401-000360 C-AL;100uF,20%,50V,GP,TP,8x11.5,5	
....5	C419	2201-000180 C-CERAMIC,DISC;10nF,10%,50V,Y5V,TP,7x3,5	
....5	C426	2401-000360 C-AL;100uF,20%,50V,GP,TP,8x11.5,5	
....5	C427	2401-002300 C-AL;47uF,20%,50V,GP,TP,6.3x11.5	
....5	C428	2306-000122 C-FILM,MPPF;100nF,5%,50V,TP,7.3x4.0x5.0m	
....5	C429	2305-000704 C-FILM,MPEF;100nF,5%,250V,TP,16.5x10.3x5	
....5	C437	2401-003114 C-AL;4.7uF,20%,250V,WT,TP,10x16,5	
....5	C445	2401-001622 C-AL;6.8uF,20%,50V,BP,TP,16x25mm,7,	
....5	C449	2201-000406 C-CERAMIC,DISC;0.27nf,10%,2kV,Y5P,TP,6.3	
....5	C450	2401-000262 C-AL;100uF,20%,160V,HR,TP,16x25,7.5	
....5	C451	2401-001160 C-AL;33uF,20%,160V,GP,-,16x35mm,7.5	
....5	C452	2201-000132 C-CERAMIC,DISC;0.1nf,10%,500V,Y5P,TP,6.5	
....5	C453	2401-002288 C-AL;470uF,20%,25V,WT,TP,10x20,5	
....5	C454	2401-001428 C-AL;470uF,20%,50V,GP,TP,10x20,5	
....5	C455	2201-000132 C-CERAMIC,DISC;0.1nf,10%,500V,Y5P,TP,6.5	
....5	C456	2401-001527 C-AL;47uF,20%,250V,HR,TP,13x25mm,5m	
....5	C457	2201-000132 C-CERAMIC,DISC;0.1nf,10%,500V,Y5P,TP,6.5	
....5	C458	2401-002288 C-AL;470uF,20%,25V,WT,TP,10x20,5	
....5	C459	2201-000132 C-CERAMIC,DISC;0.1nf,10%,500V,Y5P,TP,6.5	
....5	C460	2303-000331 C-FILM,PPF;4.7nF,5%,630V,TP,19.5x12x7,7.	
....5	C467	2401-000360 C-AL;100uF,20%,50V,GP,TP,8x11.5,5	
....5	C468	2201-000119 C-CERAMIC,DISC;100nF,+80-20%,50V,Y5V,TP,	

Loc. No.	Code No.	Description ; Specification	Remark
....5	C469	2201-000180 C-CERAMIC,DISC;10nF,10%,50V,Y5V,TP,7x3,5	
....5	C472	2401-000262 C-AL;100uF,20%,160V,HR,TP,16x25,7.5	
....5	C476	2401-001989 C-AL;4.7uF,20%,50V,BP,TP,5x11.5	
....5	C477	2301-000213 C-FILM,PEF;220nF,5%,250V,TP,21.5x11,7,5	
....5	C478	2301-000020 C-FILM,PEF;27nF,5%,100V,TP,7.3x4x12.5mm,	
....5	C479	2301-000200 C-FILM,PEF;2.2nf,5%,200V,TP,11.0x6.0x9.0	
....5	C480	2306-000122 C-FILM,MPPF;100nF,5%,50V,TP,7.3x4.0x5.0m	
....5	C481	2401-002235 C-AL;10uF,20%,16V,GP,TP,5x11mm,5mm	
....5	C483	2401-000660 C-AL;2.2uF,20%,50V,GP,TP,5x11,5	
....5	C484	2201-000132 C-CERAMIC,DISC;0.1nf,10%,500V,Y5P,TP,6.5	
....5	C487	2305-000178 C-FILM,MPEF;10nF,5%,100V,TP,-,5mm	
....5	C488	2401-002144 C-AL;47uF,20%,16V,GP,TP,5x11,5	
....5	C489	2401-001840 C-AL;100uF,20%,16V,GP,TP,6.3x11,5	
....5	C490	2201-000119 C-CERAMIC,DISC;100nF,+80-20%,50V,Y5V,TP,	
....5	C492	2401-001026 C-AL;3.3UF,20%,50V,GP,TP,5X11,5	
....5	C857	2401-000133 C-AL;100uF,20%,16V,GP,TP,10x20,5	
....5	C866	2401-000192 C-AL;100uF,20%,50V,GP,TP,16x25,7.5	
....5	C869	2401-000192 C-AL;100uF,20%,50V,GP,TP,16x25,7.5	
....5	C873	2401-001998 C-AL;100uF,20%,25V,GP,TP,10x20,5mm	
....5	CN401	3711-002645 CONNECTOR-HEADER;BOX,6P,1R,2.5mm,STRAIGH	
....5	CN403	3711-002642 CONNECTOR-HEADER;BOX,3P,1R,2.5mm,STRAIGH	
△	CR401S	2401-001026 C-AL;3.3UF,20%,50V,GP,TP,5X11,5	
△	CR402S	2201-000146 C-CERAMIC,DISC;0.1nf,5%,50V,SL,TP,5x3.5,	
△	CR403S	2201-000146 C-CERAMIC,DISC;0.1nf,5%,50V,SL,TP,5x3.5,	
....5	CS804	2201-000119 C-CERAMIC,DISC;100nF,+80-20%,50V,Y5V,TP,	
....5	CS805	2401-001101 C-AL;330uF,20%,16V,GP,TP,8x11.5,5	
....5	CS807	2201-000119 C-CERAMIC,DISC;100nF,+80-20%,50V,Y5V,TP,	
....5	CS808	2401-002463 C-AL;470uF,20%,16V,GP,TP,8x11.5,5	
....5	CS809	2201-000556 C-CERAMIC,DISC;0.47nF,10%,500V,Y5P,TP,5,	
....5	CS812	2201-0002076 C-CERAMIC,DISC;0.068nF,5%,1kV,SL,TP,8x4m	
....5	CS813	2201-000332 C-CERAMIC,DISC;2.2nf,20%,250V,Y5U,TP,9x4	
....5	CS814	2201-000332 C-CERAMIC,DISC;2.2nf,20%,250V,Y5U,TP,9x4	
....5	CZ101	2401-001428 C-AL;470uF,20%,50V,GP,TP,10x20,5	
....5	CZ102	2401-001428 C-AL;470uF,20%,50V,GP,TP,10x20,5	
....5	CZ108	2201-000499 C-CERAMIC,DISC;0.39nF,5%,50V,SL,TP,8.5x3	
....5	CZ109	2201-000499 C-CERAMIC,DISC;0.39nF,5%,50V,SL,TP,8.5x3	
....5	CZ110	2201-000499 C-CERAMIC,DISC;0.39nF,5%,50V,SL,TP,8.5x3	
....5	CZ111	2201-000976 C-CERAMIC,DISC;0.022nF,5%,50V,NP0,TP,5x3	
....5	CZ112	2201-000863 C-CERAMIC,DISC;0.68nF,10%,50V,Y5P,TP,5x3	
....5	CZ113	2201-000976 C-CERAMIC,DISC;0.022nF,5%,50V,NP0,TP,5x3	
....5	CZ114	2201-000863 C-CERAMIC,DISC;0.68nF,10%,50V,Y5P,TP,5x3	
....5	CZ115	2201-000976 C-CERAMIC,DISC;0.022nF,5%,50V,NP0,TP,5x3	
....5	CZ116	2201-000863 C-CERAMIC,DISC;0.68nF,10%,50V,Y5P,TP,5x3	
....5	CZ117	2201-000327 C-CERAMIC,DISC;2.2nf,10%,50V,Y5V,TP,6.5x	
....5	CZ118	2201-000327 C-CERAMIC,DISC;2.2nf,10%,50V,Y5V,TP,6.5x	
....5	CZ126	2201-000499 C-CERAMIC,DISC;0.39nF,5%,50V,SL,TP,8.5x3	
....5	CZ127	2201-000499 C-CERAMIC,DISC;0.39nF,5%,50V,SL,TP,8.5x3	
....5	CZ128	2201-000499 C-CERAMIC,DISC;0.39nF,5%,50V,SL,TP,8.5x3	
....5	CZ132	2201-000976 C-CERAMIC,DISC;0.022nF,5%,50V,NP0,TP,5x3	
....5	CZ133	2201-000863 C-CERAMIC,DISC;0.68nF,10%,50V,Y5P,TP,5x3	
....5	CZ134	2201-000976 C-CERAMIC,DISC;0.022nF,5%,50V,NP0,TP,5x3	
....5	CZ135	2201-000863 C-CERAMIC,DISC;0.68nF,10%,50V,Y5P,TP,5x3	
....5	CZ136	2201-000976 C-CERAMIC,DISC;0.022nF,5%,50V,NP0,TP,5x3	
....5	CZ137	2201-000863 C-CERAMIC,DISC;0.68nF,10%,50V,Y5P,TP,5x3	
....5	CZ138	2201-000327 C-CERAMIC,DISC;2.2nf,10%,50V,Y5V,TP,6.5x	
....5	CZ139	2201-000327 C-CERAMIC,DISC;2.2nf,10%,50V,Y5V,TP,6.5x	
....5	CZ140	2401-000962 C-AL;22uF,20%,50V,GP,TP,5x11,5	
....5	CZ141	2401-000962 C-AL;22uF,20%,50V,GP,TP,5x11,5	
....5	CZ151	2202-000796 C-CERAMIC,MLC-AXIAL;1NF,10%,50V,Y5P,TP,3	
....5	CZ152	2202-000796 C-CERAMIC,MLC-AXIAL;1NF,10%,50V,Y5P,TP,3	
....5	CZ153	2202-000796 C-CERAMIC,MLC-AXIAL;1NF,10%,50V,Y5P,TP,3	
....5	CZ154	2202-000796 C-CERAMIC,MLC-AXIAL;1NF,10%,50V,Y5P,TP,3	
....5	CZ155	2202-000796 C-CERAMIC,MLC-AXIAL;1NF,10%,50V,Y5P,TP,3	
....5	CZ156	2202-000796 C-CERAMIC,MLC-AXIAL;1NF,10%,50V,Y5P,TP,3	
....5	D302	0402-000546 DIODE-RECTIFIER;TVR10G,400V,1.0A,DO-41,T	
....5	D353	0401-000005 DIODE-SWITCHING;1N4148,100V,200mA,DO-35,	
....5	D384	0402-000132 DIODE-RECTIFIER;1N4004,400V,1A,DO-41,TP	
....5	D385	0401-000005 DIODE-SWITCHING;1N4148,100V,200mA,DO-35,	
....5	D433	0402-000537 DIODE-RECTIFIER;RH1A,600V,0.6A,DO-204AC	
....5	D434	0402-000546 DIODE-RECTIFIER;TVR10G,400V,1.0A,DO-41,T	
....5	D435	0402-000132 DIODE-RECTIFIER;1N4004,400V,1A,DO-41,TP	
....5	D436	0401-000005 DIODE-SWITCHING;1N4148,100V,200mA,DO-35,	
....5	D440	0402-000534 DIODE-RECTIFIER;RG10V,400V,1.2A,DO-201,T	
....5	D441	0402-000534 DIODE-RECTIFIER;RG10V,400V,1.2A,DO-201,T	
....5	D442	0401-000005 DIODE-SWITCHING;1N4148,100V,200mA,DO-35,	
....5	D443	0401-000005 DIODE-SWITCHING;1N4148,100V,200mA,DO-35,	
....5	D444	0402-000546 DIODE-RECTIFIER;TVR10G,400V,1.0A,DO-41,T	

Electrical Parts List

Loc. No.	Code No.	Description ; Specification	Remark	Loc. No.	Code No.	Description ; Specification	Remark
.....5	EY223	AA60-40011A EYELET;ID2.0,OD2.8,BST	S.N.A5	LZ112	2701-000142 INDUCTOR-AXIAL;1uH,10%,2.5x3.4mm	
.....5	EY224	AA60-40011A EYELET;ID2.0,OD2.8,BST	S.N.A5	PCB	AA41-00340C PCB-SUB;PCL545R,CEM-1,1L,C,1.6T,330X245,	S.N.A
.....5	EY225	AA60-40011A EYELET;ID2.0,OD2.8,BST	S.N.A5	Q301	0501-000389 TR-SMALL SIGNAL;KSC815,NPN,400mW,TO-92,T	
.....5	EY226	AA60-40011A EYELET;ID2.0,OD2.8,BST	S.N.A5	Q350	0501-000389 TR-SMALL SIGNAL;KSC815,NPN,400mW,TO-92,T	
.....5	EY227	AA60-40011A EYELET;ID2.0,OD2.8,BST	S.N.A5	Q351	0501-000389 TR-SMALL SIGNAL;KSC815,NPN,400mW,TO-92,T	
.....5	EY228	AA60-40011A EYELET;ID2.0,OD2.8,BST	S.N.A5	Q352	0501-000366 TR-SMALL SIGNAL;KSC2330-Y,NPN,1W,TO-92L,	
.....5	EY229	AA60-40011A EYELET;ID2.0,OD2.8,BST	S.N.A5	Q381	0501-000389 TR-SMALL SIGNAL;KSC815,NPN,400mW,TO-92,T	
.....5	EY230	AA60-40011A EYELET;ID2.0,OD2.8,BST	S.N.A5	Q382	0501-000389 TR-SMALL SIGNAL;KSC815,NPN,400mW,TO-92,T	
.....5	EY231	AA60-40011A EYELET;ID2.0,OD2.8,BST	S.N.A5	Q401	0501-000389 TR-SMALL SIGNAL;KSC815,NPN,400mW,TO-92,T	
.....5	EY232	AA60-40011A EYELET;ID2.0,OD2.8,BST	S.N.A5	Q402	0501-000389 TR-SMALL SIGNAL;KSC815,NPN,400mW,TO-92,T	
.....5	EY233	AA60-40011A EYELET;ID2.0,OD2.8,BST	S.N.A5	Q421	0501-000389 TR-SMALL SIGNAL;KSC815,NPN,400mW,TO-92,T	
.....5	EYS01	AA60-40011A EYELET;ID2.0,OD2.8,BST	S.N.A5	Q422	0505-000156 FET-SILICON;IRF620,N,200V,5A,0.8ohm,50W,	
.....5	EYS02	AA60-40011A EYELET;ID2.0,OD2.8,BST	S.N.A5	Q432	0501-000283 TR-SMALL SIGNAL;KSA539,PNP,400mW,TO-92,T	
.....5	EYS03	AA60-40011A EYELET;ID2.0,OD2.8,BST	S.N.A5	Q435	0501-000369 TR-SMALL SIGNAL;KSC2331-Y,NPN,1000mW,TO-	
.....5	EYS04	AA60-40011A EYELET;ID2.0,OD2.8,BST	S.N.A5	Q436	0501-000389 TR-SMALL SIGNAL;KSC815,NPN,400mW,TO-92,T	
.....5	EYS05	AA60-40011A EYELET;ID2.0,OD2.8,BST	S.N.A5	Q451	0501-000389 TR-SMALL SIGNAL;KSC815,NPN,400mW,TO-92,T	
.....5	EYS06	AA60-40011A EYELET;ID2.0,OD2.8,BST	S.N.A5	Q461	0501-000389 TR-SMALL SIGNAL;KSC815,NPN,400mW,TO-92,T	
.....5	EYS07	AA60-40011A EYELET;ID2.0,OD2.8,BST	S.N.A5	Q471	0501-000389 TR-SMALL SIGNAL;KSC815,NPN,400mW,TO-92,T	
.....5	EYS08	AA60-40011A EYELET;ID2.0,OD2.8,BST	S.N.A5	Q472	0505-000156 FET-SILICON;IRF620,N,200V,5A,0.8ohm,50W,	
.....5	EYS09	AA60-40011A EYELET;ID2.0,OD2.8,BST	S.N.A5	Q474	0501-000389 TR-SMALL SIGNAL;KSC815,NPN,400mW,TO-92,T	
△	FD101S	3601-001065 FUSE-AXIAL LEAD;125V,3.5A,FAST-ACTING,CE	5	Q481	0501-000389 TR-SMALL SIGNAL;KSC815,NPN,400mW,TO-92,T	
△	FD102S	3601-001065 FUSE-AXIAL LEAD;125V,3.5A,FAST-ACTING,CE	5	Q482	0501-000283 TR-SMALL SIGNAL;KSA539,PNP,400mW,TO-92,T	
.....5	GT01	AA60-40014A PIN-GT,ASSY;AUTO	S.N.A	△	QR401S	0501-000283 TR-SMALL SIGNAL;KSA539,PNP,400mW,TO-92,T	
.....5	GT02	AA60-40014A PIN-GT,ASSY;AUTO	S.N.A5	QS801	0501-000369 TR-SMALL SIGNAL;KSC2331-Y,NPN,1000mW,TO-	
.....5	GT03	AA60-40014A PIN-GT,ASSY;AUTO	S.N.A5	R301	2004-001897 R-METAL(S);43.2Kohm,1%,1/2W,AA,TP,2.5x6.	
.....5	GT04	AA60-40014A PIN-GT,ASSY;AUTO	S.N.A5	R302	2004-001897 R-METAL(S);43.2Kohm,1%,1/2W,AA,TP,2.5x6.	
.....5	GT05	AA60-40014A PIN-GT,ASSY;AUTO	S.N.A5	R303	2004-001984 R-METAL(S);26.7Kohm,1%,1/2W,AA,TP,2.4x6.	
.....5	GT06	AA60-40014A PIN-GT,ASSY;AUTO	S.N.A5	R305	2004-001984 R-METAL(S);26.7Kohm,1%,1/2W,AA,TP,2.4x6.	
.....5	GT07	AA60-40014A PIN-GT,ASSY;AUTO	S.N.A5	R306	2003-002129 R-METAL OXIDE(S);3.9ohm,5%,2W,AF,TP,3.9x	
.....5	GT08	AA60-40014A PIN-GT,ASSY;AUTO	S.N.A5	R307	2003-002129 R-METAL OXIDE(S);3.9ohm,5%,2W,AF,TP,3.9x	
.....5	GT09	AA60-40014A PIN-GT,ASSY;AUTO	S.N.A5	R308	2001-000016 R-CARBON(S);10HM,5%,1/2W,AA,TP,2.4x6.4MM	
.....5	GT10	AA60-40014A PIN-GT,ASSY;AUTO	S.N.A5	R310	2003-002009 R-METAL OXIDE(S);390ohm,5%,2W,AF,TP,3.9x	
.....5	GT11	AA60-40014A PIN-GT,ASSY;AUTO	S.N.A5	R312	2001-000290 R-CARBON;10KOHM,5%,1/8W,AA,TP,1.8X3.2MM	
.....5	GT12	AA60-40014A PIN-GT,ASSY;AUTO	S.N.A5	R313	2001-000761 R-CARBON;4300HM,5%,1/8W,AA,TP,1.8X3.2MM	
.....5	GT16	AA60-40014A PIN-GT,ASSY;AUTO	S.N.A5	R314	2001-000761 R-CARBON;4300HM,5%,1/8W,AA,TP,1.8X3.2MM	
.....5	GT17	AA60-40014A PIN-GT,ASSY;AUTO	S.N.A5	R332	2001-001107 R-CARBON(S);220ohm,5%,1/2W,AA,TP,2.4x6.4	
.....5	GT18	AA60-40014A PIN-GT,ASSY;AUTO	S.N.A5	R333	2001-001107 R-CARBON(S);220ohm,5%,1/2W,AA,TP,2.4x6.4	
.....5	GT19	AA60-40014A PIN-GT,ASSY;AUTO	S.N.A5	R334	2001-001107 R-CARBON(S);220ohm,5%,1/2W,AA,TP,2.4x6.4	
.....5	GT21	AA60-40014A PIN-GT,ASSY;AUTO	S.N.A5	R350	2001-000878 R-CARBON;6.2KOHM,5%,1/8W,AA,TP,1.8X3.2MM	
.....5	GT22	AA60-40014A PIN-GT,ASSY;AUTO	S.N.A5	R351	2001-000008 R-CARBON;15KOHM,5%,1/8W,AA,TP,1.8X3.2MM	
.....5	GT23	AA60-40014A PIN-GT,ASSY;AUTO	S.N.A5	R352	2001-000837 R-CARBON;51KOHM,5%,1/8W,AA,TP,1.8X3.2MM	
.....5	GT24	AA60-40014A PIN-GT,ASSY;AUTO	S.N.A5	R353	2001-000660 R-CARBON;33KOHM,5%,1/8W,AA,TP,1.8X3.2MM	
.....5	GT25	AA60-40014A PIN-GT,ASSY;AUTO	S.N.A5	R354	2001-000734 R-CARBON;4.7KOHM,5%,1/8W,AA,TP,1.8X3.2MM	
.....5	GT26	AA60-40014A PIN-GT,ASSY;AUTO	S.N.A5	R355	2001-000857 R-CARBON;5600HM,5%,1/8W,AA,TP,1.8X3.2MM	
.....5	GT27	AA60-40014A PIN-GT,ASSY;AUTO	S.N.A5	R356	2001-000591 R-CARBON;3.3KOHM,5%,1/8W,AA,TP,1.8X3.2MM	
.....5	GT28	AA60-40014A PIN-GT,ASSY;AUTO	S.N.A5	R357	2001-000591 R-CARBON;3.3KOHM,5%,1/8W,AA,TP,1.8X3.2MM	
.....5	GT29	AA60-40014A PIN-GT,ASSY;AUTO	S.N.A5	R358	2001-000857 R-CARBON;5600HM,5%,1/8W,AA,TP,1.8X3.2MM	
.....5	GT30	AA60-40014A PIN-GT,ASSY;AUTO	S.N.A5	R359	2001-000109 R-CARBON(S);4700HM,5%,1/2W,AA,TP,2.4x6.4	
.....5	GT31	AA60-40014A PIN-GT,ASSY;AUTO	S.N.A5	R360	2001-000723 R-CARBON;4.3KOHM,5%,1/8W,AA,TP,1.8X3.2MM	
.....5	GT32	AA60-40014A PIN-GT,ASSY;AUTO	S.N.A5	R361	2004-001395 R-METAL(S);330Kohm,2%,1/2W,AA,TP,2.4x6.4	
.....5	GT33	AA60-40014A PIN-GT,ASSY;AUTO	S.N.A5	R362	2004-001395 R-METAL(S);330Kohm,2%,1/2W,AA,TP,2.4x6.4	
.....5	GT34	AA60-40014A PIN-GT,ASSY;AUTO	S.N.A5	R363	2004-001395 R-METAL(S);330Kohm,2%,1/2W,AA,TP,2.4x6.4	
.....5	GT35	AA60-40014A PIN-GT,ASSY;AUTO	S.N.A5	R364	2004-001395 R-METAL(S);330Kohm,2%,1/2W,AA,TP,2.4x6.4	
.....5	GT37	AA60-40014A PIN-GT,ASSY;AUTO	S.N.A5	R365	2004-001395 R-METAL(S);330Kohm,2%,1/2W,AA,TP,2.4x6.4	
.....5	GT403	AA60-40014A PIN-GT,ASSY;AUTO	S.N.A5	R366	2002-001006 R-COMPOSITION;4.7KOHM,15%,1/2W,AA,TP,3.7	
.....5	GT404	AA60-40014A PIN-GT,ASSY;AUTO	S.N.A5	R384	2001-001150 R-CARBON(S);470KOHM,5%,1/2W,AA,TP,2.4x6.4	
.....5	GT405	AA60-40014A PIN-GT,ASSY;AUTO	S.N.A5	R385	2001-000577 R-CARBON;2KOHM,5%,1/8W,AA,TP,1.8X3.2MM	
.....5	GT812A	AA60-40014A PIN-GT,ASSY;AUTO	S.N.A5	R386	2001-000786 R-CARBON;47KOHM,5%,1/8W,AA,TP,1.8X3.2MM	
.....5	GT813A	AA60-40014A PIN-GT,ASSY;AUTO	S.N.A5	R387	2001-000009 R-CARBON;20KOHM,5%,1/8W,AA,TP,1.8X3.2MM	
.....5	GT814A	AA60-40014A PIN-GT,ASSY;AUTO	S.N.A5	R388	2001-000522 R-CARBON;22KOHM,5%,1/8W,AA,TP,1.8X3.2MM	
△	ICR01S	1203-001217 IC-POS.ADJUST REG.;431,TO-92,3P,4.58MIL	5	R389	2001-000577 R-CARBON;2KOHM,5%,1/8W,AA,TP,1.8X3.2MM	
.....5	L341	2701-000116 INDUCTOR-AXIAL;10uH,10%,4.2x9.8mm	5	R397	2001-000429 R-CARBON;1KOHM,5%,1/8W,AA,TP,1.8X3.2MM	
.....5	L480	2901-000297 FILTER-EMI ON BOARD;-.3A,-,-,3.5x5,TP,-	5	R405	2009-001109 R-TEMPERATURE;240ohm,5%,1/4W,AA,TP,2.3x6	
.....5	L481	3301-000287 CORE-FERRITE BEAD;AA,3.5x1.0x6.0mm,1500,	5	R406	2004-001983 R-METAL(S);2.49Kohm,1%,1/2W,AA,TP,2.4x6.	
.....5	L482	3301-000374 CORE-FERRITE BEAD;AA,3.5x1.0x9.0mm,-,-,	5	R407	2004-001897 R-METAL(S);43.2Kohm,1%,1/2W,AA,TP,2.5x6.	
.....5	L483	2901-000299 FILTER-EMI ON BOARD;-.6A,UL/CSA,-,9x7.5,	5	R408	2004-001402 R-METAL(S);6.8Kohm,1%,1/2W,AA,TP,2.4x6.4	
.....5	L493	3301-000287 CORE-FERRITE BEAD;AA,3.5x1.0x6.0mm,1500,	5	R409	2001-001178 R-CARBON(S);6800HM,5%,1/2W,AA,TP,2.4x6.4	
.....5	L494	3301-000374 CORE-FERRITE BEAD;AA,3.5x1.0x9.0mm,-,-,	5	R410	2001-000052 R-CARBON(S);3.3KOHM,5%,1/2W,AA,TP,2.4X6.	
.....5	L495	3301-000287 CORE-FERRITE BEAD;AA,3.5x1.0x6.0mm,1500,	5	R411	2008-001113 R-FUSIBLE(S);0.22ohm,10%,2W,AG,TP,3.9x12	
.....5	L499	2901-000297 FILTER-EMI ON BOARD;-.3A,-,-,3.5x5,TP,-	5	R412	2001-000362 R-CARBON;1500HM,5%,1/8W,AA,TP,1.8X3.2MM	
.....5	LS801	2901-000297 FILTER-EMI ON BOARD;-.3A,-,-,3.5x5,TP,-	5	R413	2001-001088 R-CARBON(S);1KOHM,5%,1/2W,AA,TP,2.4x6.4M	
.....5	LS802	2901-000297 FILTER-EMI ON BOARD;-.3A,-,-,3.5x5,TP,-	5	R414	2001-000734 R-CARBON;4.7KOHM,5%,1/8W,AA,TP,1.8X3.2MM	
.....5	LZ107	2701-000142 INDUCTOR-AXIAL;1uH,10%,2.5x3.4mm	5	R415	2001-000734 R-CARBON;4.7KOHM,5%,1/8W,AA,TP,1.8X3.2MM	
.....5	LZ108	2701-000142 INDUCTOR-AXIAL;1uH,10%,2.5x3.4mm	5	R416	2001-000006 R-CARBON;2.4KOHM,5%,1/8W,AA,TP,1.8X3.2MM	
.....5	LZ109	2701-000142 INDUCTOR-AXIAL;1uH,10%,2.5x3.4mm	5	R417	2001-000515 R-CARBON;220OHM,5%,1/8W,AA,TP,1.8X3.2MM	
.....5	LZ110	2701-000142 INDUCTOR-AXIAL;1uH,10%,2.5x3.4mm	5	R418	2001-000290 R-CARBON;10KOHM,5%,1/8W,AA,TP,1.8X3.2MM	
.....5	LZ111	2701-000142 INDUCTOR-AXIAL;1uH,10%,2.5x3.4mm	5	R419	2001-000290 R-CARBON;10KOHM,5%,1/8W,AA,TP,1.8X3.2MM	

Loc. No.	Code No.	Description ; Specification	Remark	Loc. No.	Code No.	Description ; Specification	Remark	
.....5	R420	2001-000281	R-CARBON;1000HM,5%,1/8W,AA,TP;1.8X3.2MM5	RFZ51	2008-000261	R-FUSIBLE(S);150ohm,5%,1W,AF,TP;3.9x10mm	
.....5	R421	2003-002159	R-METAL OXIDE;1500HM,5%,1W,AG,TP;4.3X12M5	RFZ52	2008-000261	R-FUSIBLE(S);150ohm,5%,1W,AF,TP;3.9x10mm	
.....5	R422	2001-000028	R-CARBON(S);1000HM,5%,1/2W,AA,TP;2.4X6.45	RFZ53	2008-000261	R-FUSIBLE(S);150ohm,5%,1W,AF,TP;3.9x10mm	
.....5	R423	2001-000613	R-CARBON;3.9KOHM,5%,1/8W,AA,TP;1.8X3.2MM	△.....5	RR401S	2004-001892	R-METAL(S);162Kohm,1%,1/2W,AA,TP;2.5x6.5	
.....5	R424	2008-001022	R-FUSIBLE(S);10ohm,5%,1W,AF,TP;2.5x6.5mm	△.....5	RR402S	2103-001086	VR-SEMI;100KOHM,25%,0.3W,TOP	
.....5	R425	2003-000417	R-METAL OXIDE(S);1.2Kohm,5%,3W,AA,TP;6x1	△.....5	RR403S	2004-004001	R-METAL(S);180Kohm,1%,1/2W,AA,TP;2.5x6.5	
.....5	R426	2003-002153	R-METAL OXIDE;4.7OHM,5%,2W,AG,TP;6X16MM	△.....5	RR404S	2004-004046	R-METAL(S);430Kohm,1%,1/2W,AA,TP;2.5x6.5	
.....5	R427	2003-002279	R-METAL OXIDE(S);1.20HM,5%,2W,AG,TP;5.6X	△.....5	RR405S	2004-004046	R-METAL(S);430Kohm,1%,1/2W,AA,TP;2.5x6.5	
.....5	R427A	2003-002279	R-METAL OXIDE(S);1.20HM,5%,2W,AG,TP;5.6X	△.....5	RR406S	2004-001892	R-METAL(S);162Kohm,1%,1/2W,AA,TP;2.5x6.5	
.....5	R428	2002-001017	R-COMPOSITION;1Kohm,10%,1/2W,AA,TP;3.7x9	△.....5	RR407S	2001-000429	R-CARBON;1KOHM,5%,1/8W,AA,TP;1.8X3.2MM	
.....5	R428A	2002-001017	R-COMPOSITION;1Kohm,10%,1/2W,AA,TP;3.7x9	△.....5	RR408S	2001-000449	R-CARBON;2.2KOHM,5%,1/8W,AA,TP;1.8X3.2MM	
.....5	R429	2003-000586	R-METAL OXIDE(S);22Kohm,5%,2W,AF,TP;4x12	△.....5	RR409S	2001-000005	R-CARBON;390ohm,5%,1/8W,AA,TP;1.8X3.2mm	
.....5	R430	2003-000586	R-METAL OXIDE(S);22Kohm,5%,2W,AF,TP;4x12	△.....5	RR410S	2001-000290	R-CARBON;10KOHM,5%,1/8W,AA,TP;1.8X3.2MM	
.....5	R432	2001-001144	R-CARBON(S);4.7KOHM,5%,1/2W,AA,TP;2.4X6.	△.....5	RR471S	2103-001024	VR-SEMI;50Kohm,25%,0.3W,TOP	
.....5	R433	2001-001155	R-CARBON(S);5.6KOHM,5%,1/2W,AA,TP;2.4X6.5	RS801	2001-001093	R-CARBON(S);2.2KOHM,5%,1/2W,AA,TP;2.4X6.	
.....5	R434	2001-001093	R-CARBON(S);2.2KOHM,5%,1/2W,AA,TP;2.4X6.5	RS803	2001-001159	R-CARBON(S);510OHM,5%,1/2W,AA,TP;2.4X6.4	
.....5	R435	2001-001107	R-CARBON(S);220ohm,5%,1/2W,AA,TP;2.4x6.45	RS804	2001-001182	R-CARBON(S);7.5KOHM,5%,1/2W,AA,TP;2.4X6.	
.....5	R436	2001-001182	R-CARBON(S);7.5KOHM,5%,1/2W,AA,TP;2.4X6.5	RS805	2001-001107	R-CARBON(S);220ohm,5%,1/2W,AA,TP;2.4x6.4	
.....5	R437	2008-001087	R-FUSIBLE(S);1.8ohm,5%,2W,AG,TP;3.9x12mm5	RS806	2001-001159	R-CARBON(S);510OHM,5%,1/2W,AA,TP;2.4X6.4	
.....5	R438	2001-000085	R-CARBON(S);100KOHM,5%,1/2W,AA,TP;2.4X6.5	RS807	2001-001192	R-CARBON(S);820OHM,5%,1/2W,AA,TP;2.4X6.4	
.....5	R439	2001-000085	R-CARBON(S);100KOHM,5%,1/2W,AA,TP;2.4X6.5	RS808	2001-000066	R-CARBON(S);10KOHM,5%,1/2W,AA,TP;2.4X6.4	
.....5	R440	2008-000282	R-FUSIBLE;0.47ohm,5%,1W,AA,TP;3.9x12mm5	RS809	2001-001099	R-CARBON(S);2.7KOHM,5%,1/2W,AA,TP;2.4X6.	
.....5	R441	2008-000253	R-FUSIBLE(S);0.47ohm,5%,1W,AF,TP;3.9x10m5	RZ104	2001-001114	R-CARBON(S);270OHM,5%,1/2W,AA,TP;2.4X6.4	
.....5	R442	2008-000253	R-FUSIBLE(S);0.47ohm,5%,1W,AF,TP;3.9x10m5	RZ105	2001-001114	R-CARBON(S);270OHM,5%,1/2W,AA,TP;2.4X6.4	
.....5	R442A	2008-000253	R-FUSIBLE(S);0.47ohm,5%,1W,AF,TP;3.9x10m5	RZ106	2001-001114	R-CARBON(S);270OHM,5%,1/2W,AA,TP;2.4X6.4	
.....5	R443	2003-002156	R-METAL OXIDE;5600HM,5%,2W,AG,TP;6X16MM5	RZ107	2001-001114	R-CARBON(S);270OHM,5%,1/2W,AA,TP;2.4X6.4	
.....5	R443A	2003-002156	R-METAL OXIDE;5600HM,5%,2W,AG,TP;6X16MM5	RZ108	2001-001114	R-CARBON(S);270OHM,5%,1/2W,AA,TP;2.4X6.4	
.....5	R444	2003-000995	R-METAL OXIDE(S);3.3Kohm,5%,2W,AF,TP;3.95	RZ109	2001-001114	R-CARBON(S);270OHM,5%,1/2W,AA,TP;2.4X6.4	
.....5	R445	2008-000253	R-FUSIBLE(S);0.47ohm,5%,1W,AF,TP;3.9x10m5	RZ110	2001-000563	R-CARBON;27KOHM,5%,1/8W,AA,TP;1.8X3.2MM	
.....5	R446	2001-000734	R-CARBON;4.7KOHM,5%,1/8W,AA,TP;1.8X3.2MM5	RZ111	2001-000563	R-CARBON;27KOHM,5%,1/8W,AA,TP;1.8X3.2MM	
.....5	R447	2008-000253	R-FUSIBLE(S);0.47ohm,5%,1W,AF,TP;3.9x10m5	RZ112	2001-000563	R-CARBON;27KOHM,5%,1/8W,AA,TP;1.8X3.2MM	
.....5	R448	2001-000258	R-CARBON;1.8KOHM,5%,1/8W,AA,TP;1.8X3.2MM5	RZ113	2001-000591	R-CARBON;3.3KOHM,5%,1/8W,AA,TP;1.8X3.2MM	
.....5	R449	2008-000253	R-FUSIBLE(S);0.47ohm,5%,1W,AF,TP;3.9x10m5	RZ114	2001-000857	R-CARBON;560OHM,5%,1/8W,AA,TP;1.8X3.2MM	
.....5	R454	2001-000761	R-CARBON;4300HM,5%,1/8W,AA,TP;1.8X3.2MM5	RZ115	2001-000591	R-CARBON;3.3KOHM,5%,1/8W,AA,TP;1.8X3.2MM	
.....5	R455	2001-000761	R-CARBON;4300HM,5%,1/8W,AA,TP;1.8X3.2MM5	RZ116	2001-000857	R-CARBON;560OHM,5%,1/8W,AA,TP;1.8X3.2MM	
.....5	R456	2001-000761	R-CARBON;4300HM,5%,1/8W,AA,TP;1.8X3.2MM5	RZ117	2001-000591	R-CARBON;3.3KOHM,5%,1/8W,AA,TP;1.8X3.2MM	
.....5	R458	2001-000577	R-CARBON;2KOHM,5%,1/8W,AA,TP;1.8X3.2MM5	RZ118	2001-000857	R-CARBON;560OHM,5%,1/8W,AA,TP;1.8X3.2MM	
.....5	R459	2001-001192	R-CARBON(S);820OHM,5%,1/2W,AA,TP;2.4X6.45	RZ123	2003-002148	R-METAL OXIDE;3.9OHM,2%,2W,AF,TP;3.9X10M	
.....5	R460	2003-002044	R-METAL OXIDE(S);100ohm,5%,1W,AF,TP;2.5x5	RZ124	2003-002148	R-METAL OXIDE;3.9OHM,2%,2W,AF,TP;3.9X10M	
.....5	R461	2001-000613	R-CARBON;3.9KOHM,5%,1/8W,AA,TP;1.8X3.2MM5	RZ125	2003-002148	R-METAL OXIDE;3.9OHM,2%,2W,AF,TP;3.9X10M	
.....5	R462	2008-001145	R-FUSIBLE;4.70HM,5%,1/2W,AF,TP;2.5X6.5MM5	RZ126	2003-002148	R-METAL OXIDE;3.9OHM,2%,2W,AF,TP;3.9X10M	
.....5	R463	2003-001024	R-METAL OXIDE(S);150ohm,5%,2W,AF,TP;3.9x5	RZ127	2003-002148	R-METAL OXIDE;3.9OHM,2%,2W,AF,TP;3.9X10M	
.....5	R464	2003-002158	R-METAL OXIDE;0.680HM,5%,1W,AG,TP;4.3X125	RZ128	2003-002148	R-METAL OXIDE;3.9OHM,2%,2W,AF,TP;3.9X10M	
.....5	R465	2008-000253	R-FUSIBLE(S);0.47ohm,5%,1W,AF,TP;3.9x10m5	RZ129	2003-002171	R-METAL OXIDE(S);150ohm,5%,2W,AG,TP;3.9x	
.....5	R466	2004-001386	R-METAL(S);16.9Kohm,1%,1/2W,AA,TP;2.4x6.5	RZ129A	2003-002171	R-METAL OXIDE(S);150ohm,5%,2W,AG,TP;3.9x	
.....5	R467	2004-001986	R-METAL(S);35.7Kohm,1%,1/2W,AA,TP;2.4x6.5	RZ130	2003-002171	R-METAL OXIDE(S);150ohm,5%,2W,AG,TP;3.9x	
.....5	R468	2001-001122	R-CARBON(S);3.9KOHM,5%,1/2W,AA,TP;2.4X6.5	RZ130A	2003-002171	R-METAL OXIDE(S);150ohm,5%,2W,AG,TP;3.9x	
.....5	R469	2001-001088	R-CARBON(S);1KOHM,5%,1/2W,AA,TP;2.4X6.4M5	RZ131	2003-002171	R-METAL OXIDE(S);150ohm,5%,2W,AG,TP;3.9x	
.....5	R470	2001-000208	R-CARBON(S);100OHM,5%,1/2W,AA,TP;2.4X6.45	RZ131A	2003-002171	R-METAL OXIDE(S);150ohm,5%,2W,AG,TP;3.9x	
.....5	R471	2004-002011	R-METAL(S);1.1Kohm,1%,1/2W,AA,TP;2.4x6.45	RZ132	2003-002171	R-METAL OXIDE(S);150ohm,5%,2W,AG,TP;3.9x	
.....5	R472	2008-000252	R-FUSIBLE(S);0.47ohm,10%,1/2W,AF,TP;2.5x5	RZ132A	2003-002171	R-METAL OXIDE(S);150ohm,5%,2W,AG,TP;3.9x	
.....5	R473	2004-001395	R-METAL(S);330Kohm,2%,1/2W,AA,TP;2.4x6.45	RZ133	2001-000563	R-CARBON;27KOHM,5%,1/8W,AA,TP;1.8X3.2MM	
.....5	R474	2001-000030	R-CARBON;20KOHM,5%,1/8W,AA,TP;1.8X3.2MM5	RZ134	2001-000563	R-CARBON;27KOHM,5%,1/8W,AA,TP;1.8X3.2MM	
.....5	R475	2001-000812	R-CARBON;5.6KOHM,5%,1/8W,AA,TP;1.8X3.2MM5	RZ135	2001-000563	R-CARBON;27KOHM,5%,1/8W,AA,TP;1.8X3.2MM	
.....5	R482	2001-001031	R-CARBON;91KOHM,5%,1/8W,AA,TP;1.8X3.2MM5	RZ136	2001-000591	R-CARBON;3.3KOHM,5%,1/8W,AA,TP;1.8X3.2MM	
.....5	R483	2001-000429	R-CARBON;1KOHM,5%,1/8W,AA,TP;1.8X3.2MM5	RZ137	2001-000857	R-CARBON;560OHM,5%,1/8W,AA,TP;1.8X3.2MM	
.....5	R484	2001-000429	R-CARBON;1KOHM,5%,1/8W,AA,TP;1.8X3.2MM5	RZ138	2001-000591	R-CARBON;3.3KOHM,5%,1/8W,AA,TP;1.8X3.2MM	
.....5	R485	2008-001137	R-FUSIBLE(S);3.3ohm,5%,1W,AF,TP;3.9x10mm5	RZ139	2001-000857	R-CARBON;560OHM,5%,1/8W,AA,TP;1.8X3.2MM	
.....5	R486	2008-001018	R-FUSIBLE(S);0.47ohm,10%,2W,AF,TP;3.9x105	RZ140	2001-000591	R-CARBON;3.3KOHM,5%,1/8W,AA,TP;1.8X3.2MM	
.....5	R487	2001-000924	R-CARBON;680OHM,5%,1/8W,AA,TP;1.8X3.2MM5	RZ141	2001-000857	R-CARBON;560OHM,5%,1/8W,AA,TP;1.8X3.2MM	
.....5	R488	2001-000273	R-CARBON;100KOHM,5%,1/8W,AA,TP;1.8X3.2MM5	RZ142	2003-002148	R-METAL OXIDE;3.9OHM,2%,2W,AF,TP;3.9X10M	
.....5	R489	2001-000800	R-CARBON;5.1KOHM,5%,1/8W,AA,TP;1.8X3.2MM5	RZ143	2003-002148	R-METAL OXIDE;3.9OHM,2%,2W,AF,TP;3.9X10M	
.....5	R490	2001-000800	R-CARBON;5.1KOHM,5%,1/8W,AA,TP;1.8X3.2MM5	RZ144	2003-002148	R-METAL OXIDE;3.9OHM,2%,2W,AF,TP;3.9X10M	
.....5	R491	2001-000745	R-CARBON;4.7OHM,5%,1/8W,AA,TP;1.8X3.2MM5	RZ145	2003-002148	R-METAL OXIDE;3.9OHM,2%,2W,AF,TP;3.9X10M	
.....5	R492	2001-000508	R-CARBON;220KOHM,5%,1/8W,AA,TP;1.8X3.2MM5	RZ146	2003-002148	R-METAL OXIDE;3.9OHM,2%,2W,AF,TP;3.9X10M	
.....5	R494	2001-000734	R-CARBON;4.7KOHM,5%,1/8W,AA,TP;1.8X3.2MM5	RZ147	2003-002148	R-METAL OXIDE;3.9OHM,2%,2W,AF,TP;3.9X10M	
.....5	R495	2001-000262	R-CARBON;1.8MOHM,5%,1/8W,AA,TP;1.8X3.2MM5	RZ148	2003-002171	R-METAL OXIDE(S);150ohm,5%,2W,AG,TP;3.9x	
.....5	R501	2004-001376	R-METAL(S);11Kohm,1%,1/2W,AA,TP;2.4x6.4m5	RZ148A	2003-002171	R-METAL OXIDE(S);150ohm,5%,2W,AG,TP;3.9x	
.....5	R502	2004-001369	R-METAL(S);1.2Kohm,1%,1/2W,AA,TP;2.4x6.45	RZ149	2003-002171	R-METAL OXIDE(S);150ohm,5%,2W,AG,TP;3.9x	
.....5	R856	2001-001155	R-CARBON(S);5.6KOHM,5%,1/2W,AA,TP;2.4X6.5	RZ149A	2003-002171	R-METAL OXIDE(S);150ohm,5%,2W,AG,TP;3.9x	
.....5	R857	2001-001155	R-CARBON(S);5.6KOHM,5%,1/2W,AA,TP;2.4X6.	△.....5	VP811S	1405-000152	VARISTOR;560V,2500A,14x8.5mm,TP	
.....5	RFS802	2008-000294	R-FUSIBLE(S);33ohm,5%,2W,AF,TP;3.9x10mm4	0202-000187	SOLDER-WIRE FLUX;-RS60S,D1.2,63Sn/37Pb	S.N.A	
.....5	RFZ19	2008-000261	R-FUSIBLE(S);150ohm,5%,1W,AF,TP;3.9x10mm3	AA94-08447A	ASSY PCB MAIN;HCM5525W3S/XAA,P54A		
.....5	RFZ20	2008-000261	R-FUSIBLE(S);150ohm,5%,1W,AF,TP;3.9x10mm4	C664	2401-001068	C-AL;3300uF,20%,50V,GP,BK,22x40,10	
.....5	RFZ21	2008-000261	R-FUSIBLE(S);150ohm,5%,1W,AF,TP;3.9x10mm4	C665	2401-000737	C-AL;2200uF,20%,50V,GP,TP,18x35,5,7	
.....5	RFZ22	2008-000261	R-FUSIBLE(S);150ohm,5%,1W,AF,TP;3.9x10mm4	CG-BOT	AA63-00397B	SHIELD CASE-BOT;PRJT,P54A,SPTe,T0.5,-,-	S.N.A
.....5	RFZ50	2008-000261	R-FUSIBLE(S);150ohm,5%,1W,AF,TP;3.9x10mm4	CG-TOP	AA63-00396B	SHIELD CASE-TOP;PRJT,P54A,SPTe,T0.5,-,-	S.N.A

Loc. No.	Code No.	Description ; Specification	Remark	Loc. No.	Code No.	Description ; Specification	Remark		
.....4	CN01	3703-001150	CONNECTOR-DIN;32P,2R,FEMALE,STRAIGHT,AUF	6	C133	2305-000665	C-FILM,MPEF;100nF,5%,63V,TP,7.5x4.0x5.0m	
.....4	CN02	3703-001150	CONNECTOR-DIN;32P,2R,FEMALE,STRAIGHT,AUF	6	C134	2305-000665	C-FILM,MPEF;100nF,5%,63V,TP,7.5x4.0x5.0m	
.....4	CNM01	3703-001187	CONNECTOR-DIN;64P,2R,FEMALE,STRAIGHT,AU	6	C135	2401-003034	C-AL;220uF,20%,16V,W/TP,8x11.5,5	
.....4	CNT01	3710-001208	CONNECTOR-SOCKET;32P,2R,2.54mm,STRAIGHT,	6	C136	2401-002463	C-AL;470uF,20%,16V,GP,TP,8x11.5,5	
.....4	CNT02	3710-001208	CONNECTOR-SOCKET;32P,2R,2.54mm,STRAIGHT,	6	C137	2401-001397	C-AL;470uF,20%,25V,GP,TP,10x16,5	
.....4	CNZ01	3703-001150	CONNECTOR-DIN;32P,2R,FEMALE,STRAIGHT,AUF	6	C138	2401-000832	C-AL;220uF,20%,25V,GP,TP,8x11.5,5	
.....4	DW-BOT	AA63-00395B	SHIELD CASE-BOT;PRJT,P54A,SPTE,TO.5,-,-, S.N.A	6	C140	2305-000665	C-FILM,MPEF;100nF,5%,63V,TP,7.5x4.0x5.0m	
.....4	DW-TOP	AA63-00394B	SHIELD CASE-TOP;PRJT P54A,SPTE,TO.5,-,-, S.N.A	6	C142	2401-002619	C-AL;47uF,20%,25V,GP,TP,5x11,5	
.....4	IC102	AA96-00110C	ASSY H/S;-,-,AA62-30013K,SI-3090C,- S.N.A	6	C144	2202-000632	C-CERAMIC,MLC-AXIAL;100nF,20%,50V,Z5U,TP	
.....5		1203-000577	IC-VOLTAGE REGULATOR;3090,ZIP,5P,-,PLAST	6	C145	2202-000632	C-CERAMIC,MLC-AXIAL;100nF,20%,50V,Z5U,TP	
.....5		6003-000333	SCREW-TAPTITE;RH,+2S,M3,L10,ZPC(YEL),SW S.N.A	6	C147	2202-000632	C-CERAMIC,MLC-AXIAL;100nF,20%,50V,Z5U,TP	
.....5		AA62-30013K	HEAT SINK-ES;-,-,-,44/18,-,WHT,A6063 E S.N.A	6	C149	2202-000632	C-CERAMIC,MLC-AXIAL;100nF,20%,50V,Z5U,TP	
.....4	IC104	AA96-00110A	ASSY H/S;-,-,AA62-30013K,SI-3050C,- S.N.A	6	C150	2202-000632	C-CERAMIC,MLC-AXIAL;100nF,20%,50V,Z5U,TP	
.....5		1203-000203	IC-POS,ADJUST REG.;3050,TO-220,5P,-,PLA	6	C151	2202-000632	C-CERAMIC,MLC-AXIAL;100nF,20%,50V,Z5U,TP	
.....5		6003-000333	SCREW-TAPTITE;RH,+2S,M3,L10,ZPC(YEL),SW S.N.A	6	C152	2202-000632	C-CERAMIC,MLC-AXIAL;100nF,20%,50V,Z5U,TP	
.....5		AA62-30013K	HEAT SINK-ES;-,-,-,44/18,-,WHT,A6063 E S.N.A	6	C153	2201-000119	C-CERAMIC,DISC;100nF,+80-20%,50V,Y5V,TP	
.....4	IC106	AA96-00110A	ASSY H/S;-,-,AA62-30013K,SI-3050C,- S.N.A	6	C154	2201-000119	C-CERAMIC,DISC;100nF,+80-20%,50V,Y5V,TP	
.....4	IC655	AA96-00038A	ASSY H/S;-,-,SOUND AMP,AA62-30173E,TDA7265 S.N.A	6	C155	2201-000119	C-CERAMIC,DISC;100nF,+80-20%,50V,Y5V,TP	
.....5		0205-000129	GREASE-SILICON;SC102,JAPAN S.N.A	6	C157	2202-000632	C-CERAMIC,MLC-AXIAL;100nF,20%,50V,Z5U,TP	
.....5		1201-001026	IC-POWER AMP;7265,ZIP,11P,19.6ML,DUAL,1	6	C191	2401-002619	C-AL;47uF,20%,25V,GP,TP,5x11,5	
.....5		6003-000333	SCREW-TAPTITE;RH,+2S,M3,L10,ZPC(YEL),SW S.N.A	6	C666	2305-000665	C-FILM,MPEF;100nF,5%,63V,TP,7.5x4.0x5.0m	
.....5		AA62-30173E	HEAT SINK-ES;-,-,T1.0,WHITE,SCREW-HOLE(1 S.N.A	6	C667	2401-000603	C-AL;1uF,20%,50V,GP,TP,5x11,5	
.....4	ICZ101	AA96-50321B	ASSY H/S;-,-,AA62-30013G,SI3050C,- S.N.A	6	C668	2401-000603	C-AL;1uF,20%,50V,GP,TP,5x11,5	
.....5		1203-000203	IC-POS,ADJUST REG.;3050,TO-220,5P,-,PLA	6	C669	2401-000404	C-AL;10uF,20%,16V,BP,TP,5x11,5	
.....5		6003-000333	SCREW-TAPTITE;RH,+2S,M3,L10,ZPC(YEL),SW S.N.A	6	C676	2401-001192	C-AL;33uF,20%,50V,GP,TP,6.3x11,5	
.....5		AA62-30013G	HEAT SINK-ES;-,-,AL,-,WHT,55(18),-,-, S.N.A	6	C686	2301-000192	C-FILM,PEF;1nF,5%,50V,TP,5.3x10mm,5mm	
.....4	ICZ102	1203-000119	IC-NEGA.FIXED REG.;7905,TO-220,3P,-,PLAS	6	C687	2301-000192	C-FILM,PEF;1nF,5%,50V,TP,5.3x10mm,5mm	
.....4	L601	AA29-00004A	FILTER LINE NOISE;-,-,20UH,3A,AC80-260V,TQ	6	C688	2401-000192	C-AL;1000uF,20%,50V,GP,TP,16x25,7.5	
.....4	L602	AA27-10001C	COIL CHOKE;-,-,100uH,K,-,5.0A,ST,700UH-KIR	6	C689	2305-000665	C-FILM,MPEF;100nF,5%,63V,TP,7.5x4.0x5.0m	
.....4	MI-BOT	AA63-00397B	SHIELD CASE-BOT;PRJT,P54A,SPTE,TO.5,-,-, S.N.A	6	C690	2305-000665	C-FILM,MPEF;100nF,5%,63V,TP,7.5x4.0x5.0m	
.....4	MI-TOP	AA63-00396B	SHIELD CASE-TOP;PRJT,P54A,SPTE,TO.5,-,-, S.N.A	6	C691	2401-000192	C-AL;1000uF,20%,50V,GP,TP,16x25,7.5	
.....4	SO-BOT	AA63-00397B	SHIELD CASE-BOT;PRJT,P54A,SPTE,TO.5,-,-, S.N.A	6	C701	2401-000027	C-AL;4.7uF,20%,50V,GP,TP,5x11,5	
△	TU103S	AA59-00164A	MODULE-RF,SPLITTER;-,-,UMX-NT-005,-,ZIN/30	6	C801	2401-002300	C-AL;47uF,20%,50V,GP,TP,6.3x11,5	
.....4		0202-000187	SOLDER-WIRE FLUX;-,-,RS60S,D1.2,63Sn/37Pb S.N.A	6	C901	2401-002235	C-AL;10uF,20%,16V,GP,TP,5x11mm,5mm	
.....4		AA97-03130A	ASSY ROBOT-MAIN;HCL473WX/XAA,P54A,U.S.A S.N.A	6	C902	2201-000119	C-CERAMIC,DISC;100nF,+80-20%,50V,Y5V,TP	
.....5	CN201	3711-00397A	CONNECTOR-HEADER;BOX,12P,1R,2.5mm,STRAIG	6	C903	2201-000119	C-CERAMIC,DISC;100nF,+80-20%,50V,Y5V,TP	
.....5	CN501	3711-003051	CONNECTOR-HEADER;BOX,8P,1R,2.5MM,STRAIGH	6	CN101	3711-002642	CONNECTOR-HEADER;BOX,3P,1R,2.5mm,STRAIGH	
.....5	CN801	3711-003975	CONNECTOR-HEADER;BOX,14P,1R,2.5mm,STRAIG	6	CN601	3711-002643	CONNECTOR-HEADER;BOX,4P,1R,2.5mm,STRAIGH	
.....5	CN901	3711-003973	CONNECTOR-HEADER;BOX,11P,1R,2.5mm,STRAIG	6	CN602	3711-002644	CONNECTOR-HEADER;BOX,5P,1R,2.5mm,STRAIGH	
.....5	CN202	3711-003052	CONNECTOR-HEADER;BOX,10P,1R,2.5MM,STRAIG	6	CN902	3711-002642	CONNECTOR-HEADER;BOX,3P,1R,2.5mm,STRAIGH	
.....5	IC103	AA96-50147B	ASSY H/S;-,-,TR,AA62-30012B,KA7808,-, S.N.A	6	CNY01	3711-002645	CONNECTOR-HEADER;BOX,6P,1R,2.5mm,STRAIGH	
.....6		1203-000293	IC-POS,AXIAL REG.;7808,TO-220,3P,-,PLAS	6	CZ101	2401-000832	C-AL;220uF,20%,25V,GP,TP,8x11.5,5	
.....6		6003-000333	SCREW-TAPTITE;RH,+2S,M3,L10,ZPC(YEL),SW S.N.A	6	CZ102	2401-001840	C-AL;100uF,20%,16V,GP,TP,6.3x11,5	
.....6		AA62-30012B	HEAT SINK-ES;-,-,A6063 EXTR,-,-,45(16) T02 S.N.A	6	CZ103	2401-000689	C-AL;2200uF,20%,16V,GP,TP,13x25,5	
.....5	IC107	AA96-00111L	ASSY H/S;-,-,AA62-30013L,KA78R12,-, S.N.A	6	CZ105	2201-000119	C-CERAMIC,DISC;100nF,+80-20%,50V,Y5V,TP	
.....6		1203-000165	IC-POS,ADJUST REG.;78R12,TO-220,4P,-,PL	6	CZ106	2201-000119	C-CERAMIC,DISC;100nF,+80-20%,50V,Y5V,TP	
.....6		6003-000333	SCREW-TAPTITE;RH,+2S,M3,L10,ZPC(YEL),SW S.N.A	6	CZ107	2201-000119	C-CERAMIC,DISC;100nF,+80-20%,50V,Y5V,TP	
.....6		AA62-30013L	HEAT SINK-ES;-,-,-,44/22,-,WHT,-,-,-, S.N.A	6	CZ109	2202-000632	C-CERAMIC,MLC-AXIAL;100nF,20%,50V,Z5U,TP	
△	TU101S	AA40-00032A	TUNER-F/S;TCPN3081PC09A(S),NTSC,TR,181CH	6	CZ110	2202-000632	C-CERAMIC,MLC-AXIAL;100nF,20%,50V,Z5U,TP	
△	TU102S	AA40-00032A	TUNER-F/S;TCPN3081PC09A(S),NTSC,TR,181CH	6	D603	0401-000005	DIODE-SWITCHING;1N4148,100V,200mA,DO-35	
.....5		AA97-04483A	ASSY AUTO-MAIN;HCL473WX/XAA,P54A,U.S.A S.N.A	6	D604	0401-000005	DIODE-SWITCHING;1N4148,100V,200mA,DO-35	
.....6	C100	2401-001397	C-AL;470uF,20%,25V,GP,TP,10x16,5	6	D605	0401-000005	DIODE-SWITCHING;1N4148,100V,200mA,DO-35	
.....6	C101	2401-001397	C-AL;470uF,20%,25V,GP,TP,10x16,5	6	D606	0401-000005	DIODE-SWITCHING;1N4148,100V,200mA,DO-35	
.....6	C102	2401-000611	C-AL;1uF,20%,50V,W/TP,5x11,5	6	D664	0402-000546	DIODE-RECTIFIER;TVR10G,400V,1.0A,DO-41,T	
.....6	C103	2401-000302	C-AL;100uF,20%,25V,GP,TP,6.3x11,5	6	D665	0401-000005	DIODE-SWITCHING;1N4148,100V,200mA,DO-35	
.....6	C104	2401-000603	C-AL;1uF,20%,50V,GP,TP,5x11,5	6	D701	0401-000005	DIODE-SWITCHING;1N4148,100V,200mA,DO-35	
.....6	C105	2401-000302	C-AL;100uF,20%,25V,GP,TP,6.3x11,5	6	D702	0401-000005	DIODE-SWITCHING;1N4148,100V,200mA,DO-35	
.....6	C106	2401-002463	C-AL;470uF,20%,16V,GP,TP,8x11.5,5	6	D703	0401-000005	DIODE-SWITCHING;1N4148,100V,200mA,DO-35	
.....6	C107	2401-002463	C-AL;470uF,20%,16V,GP,TP,8x11.5,5	6	DZ665	0403-001039	DIODE-ZENER;MA2560,56V,52-60V,1W,DO-41,T	
.....6	C110	2301-000383	C-FILM,PEF;10nF,5%,50V,TP,6x7x3.2mm,5mm	6	DZ701	0403-001140	DIODE-ZENER;RD10ESAB-T4,10V,9.19-10.30V,	
.....6	C111	2201-000180	C-CERAMIC,DISC;10nF,10%,50V,Y5V,TP,7x3,5	6	DZ801	0403-000700	DIODE-ZENER;TZP33A,33V,31-35V,1W,DO-41,T	
.....6	C117	2201-000119	C-CERAMIC,DISC;100nF,+80-20%,50V,Y5V,TP	6	EL01	AA60-40011B	EYELET;ID2,2,OD3,2,BSP S.N.A	
.....6	C118	2305-000665	C-FILM,MPEF;100nF,5%,63V,TP,7.5x4.0x5.0m	6	EL02	AA60-40011B	EYELET;ID2,2,OD3,2,BSP S.N.A	
.....6	C119	2301-000383	C-FILM,PEF;10nF,5%,50V,TP,6x7x3.2mm,5mm	6	EL03	AA60-40011B	EYELET;ID2,2,OD3,2,BSP S.N.A	
.....6	C120	2301-000383	C-FILM,PEF;10nF,5%,50V,TP,6x7x3.2mm,5mm	6	EL05	AA60-40011B	EYELET;ID2,2,OD3,2,BSP S.N.A	
.....6	C121	2301-000383	C-FILM,PEF;10nF,5%,50V,TP,6x7x3.2mm,5mm	6	EL06	AA60-40011B	EYELET;ID2,2,OD3,2,BSP S.N.A	
.....6	C122	2301-000383	C-FILM,PEF;10nF,5%,50V,TP,6x7x3.2mm,5mm	6	EL07	AA60-40011B	EYELET;ID2,2,OD3,2,BSP S.N.A	
.....6	C123	2305-000665	C-FILM,MPEF;100nF,5%,63V,TP,7.5x4.0x5.0m	6	EL08	AA60-40011B	EYELET;ID2,2,OD3,2,BSP S.N.A	
.....6	C124	2305-000665	C-FILM,MPEF;100nF,5%,63V,TP,7.5x4.0x5.0m	6	EL09	AA60-40011B	EYELET;ID2,2,OD3,2,BSP S.N.A	
.....6	C125	2305-000665	C-FILM,MPEF;100nF,5%,63V,TP,7.5x4.0x5.0m	6	EL10	AA60-40011B	EYELET;ID2,2,OD3,2,BSP S.N.A	
.....6	C126	2301-000383	C-FILM,PEF;10nF,5%,50V,TP,6x7x3.2mm,5mm	6	EL11	AA60-40011B	EYELET;ID2,2,OD3,2,BSP S.N.A	
.....6	C127	2305-000665	C-FILM,MPEF;100nF,5%,63V,TP,7.5x4.0x5.0m	6	EL12	AA60-40011B	EYELET;ID2,2,OD3,2,BSP S.N.A	
.....6	C128	2201-000119	C-CERAMIC,DISC;100nF,+80-20%,50V,Y5V,TP	6	EL13	AA60-40011B	EYELET;ID2,2,OD3,2,BSP S.N.A	
.....6	C129	2401-001840	C-AL;100uF,20%,16V,GP,TP,6.3x11,5	6	EL14	AA60-40011B	EYELET;ID2,2,OD3,2,BSP S.N.A	
.....6	C130	2401-001840	C-AL;100uF,20%,16V,GP,TP,6.3x11,5	6	EL15	AA60-40011B	EYELET;ID2,2,OD3,2,BSP S.N.A	
.....6	C131	2301-000383	C-FILM,PEF;10nF,5%,50V,TP,6x7x3.2mm,5mm	6	EL16	AA60-40011B	EYELET;ID2,2,OD3,2,BSP S.N.A	
.....6	C132	2401-000302	C-AL;100uF,20%,25V,GP,TP,6.3x11,5	6	EL17	AA60-40011B	EYELET;ID2,2,OD3,2,BSP S.N.A	

Loc. No.	Code No.	Description ; Specification	Remark	Loc. No.	Code No.	Description ; Specification	Remark
.....6 EL18	AA60-40011B	EYELET;ID2.2,OD3.2,BSP	S.N.A6 R663	2001-000660	R-CARBON;33KOHM,5%,1/8W,AA,TP,1.8X3.2MM	
.....6 EL19	AA60-40011B	EYELET;ID2.2,OD3.2,BSP	S.N.A6 R664	2004-001970	R-METAL(S);1.8Kohm,1%,1/2W,AA,TP,6.5x2.5	
.....6 EL20	AA60-40011B	EYELET;ID2.2,OD3.2,BSP	S.N.A6 R665	2001-000066	R-CARBON(S);10KOHM,5%,1/2W,AA,TP,2.4X6.4	
.....6 EL21	AA60-40011B	EYELET;ID2.2,OD3.2,BSP	S.N.A6 R666	2001-000066	R-CARBON(S);10KOHM,5%,1/2W,AA,TP,2.4X6.4	
.....6 EL22	AA60-40011B	EYELET;ID2.2,OD3.2,BSP	S.N.A6 R669	2001-001121	R-CARBON(S);3.6KOHM,5%,1/2W,AA,TP,2.4X6.4	
.....6 EL23	AA60-40011B	EYELET;ID2.2,OD3.2,BSP	S.N.A6 R670	2001-000085	R-CARBON(S);100KOHM,5%,1/2W,AA,TP,2.4X6.4	
.....6 EL24	AA60-40011B	EYELET;ID2.2,OD3.2,BSP	S.N.A6 R671	2001-000066	R-CARBON(S);10KOHM,5%,1/2W,AA,TP,2.4X6.4	
.....6 EL25	AA60-40011B	EYELET;ID2.2,OD3.2,BSP	S.N.A6 R672	2001-000066	R-CARBON(S);10KOHM,5%,1/2W,AA,TP,2.4X6.4	
.....6 EL26	AA60-40011B	EYELET;ID2.2,OD3.2,BSP	S.N.A6 R673	2001-001086	R-CARBON(S);18KOHM,5%,1/2W,AA,TP,2.4X6.4	
.....6 EL27	AA60-40011B	EYELET;ID2.2,OD3.2,BSP	S.N.A6 R673A	2001-001142	R-CARBON(S);3KOHM,5%,1/2W,AA,TP,2.4X6.4MM	
.....6 EL28	AA60-40011B	EYELET;ID2.2,OD3.2,BSP	S.N.A6 R681	2004-001970	R-METAL(S);1.8Kohm,1%,1/2W,AA,TP,6.5x2.5	
.....6 EL29	AA60-40011B	EYELET;ID2.2,OD3.2,BSP	S.N.A6 R682	2004-002019	R-METAL(S);33Kohm,1%,1/2W,AA,TP,2.5x6.5mm	
.....6 EL30	AA60-40011B	EYELET;ID2.2,OD3.2,BSP	S.N.A6 R683	2004-002019	R-METAL(S);33Kohm,1%,1/2W,AA,TP,2.5x6.5mm	
.....6 EL31	AA60-40011B	EYELET;ID2.2,OD3.2,BSP	S.N.A6 R685	2004-001390	R-METAL(S);1Kohm,2%,1/2W,AA,TP,2.4x6.4mm	
.....6 EL32	AA60-40011B	EYELET;ID2.2,OD3.2,BSP	S.N.A6 R686	2004-001390	R-METAL(S);1Kohm,2%,1/2W,AA,TP,2.4x6.4mm	
.....6 EY01	AA60-40011A	EYELET;ID2.0,OD2.8,BST	S.N.A6 R687	2001-001146	R-CARBON(S);4.7OHM,5%,1/2W,AA,TP,2.4X6.4	
.....6 EY02	AA60-40011A	EYELET;ID2.0,OD2.8,BST	S.N.A6 R689	2001-001146	R-CARBON(S);4.7OHM,5%,1/2W,AA,TP,2.4X6.4	
.....6 EY03	AA60-40011A	EYELET;ID2.0,OD2.8,BST	S.N.A6 R690	2001-001144	R-CARBON(S);4.7KOHM,5%,1/2W,AA,TP,2.4X6.4	
.....6 EY04	AA60-40011A	EYELET;ID2.0,OD2.8,BST	S.N.A6 R691	2001-001144	R-CARBON(S);4.7KOHM,5%,1/2W,AA,TP,2.4X6.4	
.....6 EY05	AA60-40011A	EYELET;ID2.0,OD2.8,BST	S.N.A6 R701	2001-000786	R-CARBON;47KOHM,5%,1/8W,AA,TP,2.4X6.4MM	
.....6 EY06	AA60-40011A	EYELET;ID2.0,OD2.8,BST	S.N.A6 R702	2001-000290	R-CARBON;10KOHM,5%,1/8W,AA,TP,1.8X3.2MM	
.....6 EY07	AA60-40011A	EYELET;ID2.0,OD2.8,BST	S.N.A6 R703	2001-000290	R-CARBON;10KOHM,5%,1/8W,AA,TP,1.8X3.2MM	
.....6 EY08	AA60-40011A	EYELET;ID2.0,OD2.8,BST	S.N.A6 R704	2001-000290	R-CARBON;10KOHM,5%,1/8W,AA,TP,1.8X3.2MM	
.....6 EY09	AA60-40011A	EYELET;ID2.0,OD2.8,BST	S.N.A6 R888	2003-001098	R-METAL OXIDE(S);22Kohm,5%,3W,AA,TP,6x16	
.....6 EY10	AA60-40011A	EYELET;ID2.0,OD2.8,BST	S.N.A6 RF101	2008-001116	R-FUSIBLE(S);0.68ohm,10%,2W,AG,TP,3.9x12	
.....6 EY11	AA60-40011A	EYELET;ID2.0,OD2.8,BST	S.N.A6 RF104	2008-000266	R-FUSIBLE(S);1ohm,5%,2W,AF,TP,3.9x10mm	
.....6 EY12	AA60-40011A	EYELET;ID2.0,OD2.8,BST	S.N.A6 RF121	2008-000253	R-FUSIBLE(S);0.47ohm,5%,1W,AF,TP,3.9x10mm	
.....6 EY13	AA60-40011A	EYELET;ID2.0,OD2.8,BST	S.N.A6 RZ01	2001-000037	R-CARBON(S);330OHM,5%,1/2W,AA,TP,2.4X6.4	
.....6 EY14	AA60-40011A	EYELET;ID2.0,OD2.8,BST	S.N.A6 RZ02	2001-000739	R-CARBON;4.7MOHM,5%,1/8W,AA,TP,1.8X3.2MM	
.....6 GTM02	AA60-40014A	PIN-GT,ASSY,AUTO	S.N.A6 RZ101	2001-000429	R-CARBON;1KOHM,5%,1/8W,AA,TP,1.8X3.2MM	
.....6 GTM04	AA60-40014A	PIN-GT,ASSY,AUTO	S.N.A6 RZ102	2001-000429	R-CARBON;1KOHM,5%,1/8W,AA,TP,1.8X3.2MM	
.....6 L100	2701-000159	INDUCTOR-AXIAL;22uH,10%,4.2x9.8mm	4	BP95-00052A	ASSY SUB-SOUND;PCL5415R,P54A,AA95-01103B	
.....6 L101	2701-000115	INDUCTOR-AXIAL;10uH,10%,3x7mm	5 CN601	3711-005105	CONNECTOR-HEADER;NOWALL,64P,2R,2.54MM,AN	
.....6 L102	2701-000159	INDUCTOR-AXIAL;22uH,10%,4.2x9.8mm	5 XD601	2801-000186	CRYSTAL-UNIT;18.432MHz,25ppm,28-AAM,8Pf,	
.....6 L103	2701-000115	INDUCTOR-AXIAL;10uH,10%,3x7mm	5	AA97-07221A	ASSY AUTO-SOUND;PCL5415R,P54A,AA95-01103 S.N.A	
.....6 L104	2701-000115	INDUCTOR-AXIAL;10uH,10%,3x7mm	6 CD601	2401-000444	C-AL;10uF,20%,25V,GP,TP,5x5mm,5mm	
.....6 L105	2701-000115	INDUCTOR-AXIAL;10uH,10%,3x7mm	6 CD603	2401-001250	C-AL;4.7uF,20%,35V,GP,TP,4x5,5	
.....6 L107	2701-000115	INDUCTOR-AXIAL;10uH,10%,3x7mm	6 CD604	2401-000486	C-AL;10uF,20%,50V,GP,TP,6.3x7mm,5	
.....6 L108	2701-001007	INDUCTOR-AXIAL;24uH,10%,4.5x14mm	6 CD605	2401-001250	C-AL;4.7uF,20%,35V,GP,TP,4x5,5	
.....6 L110	2701-000116	INDUCTOR-AXIAL;10uH,10%,4.2x9.8mm	6 CD607	2401-001250	C-AL;4.7uF,20%,35V,GP,TP,4x5,5	
.....6 L111	3301-000287	CORE-FERRITE BEAD;AA,3.5x1.0x6.0mm,1500,	6 CD608	2401-001250	C-AL;4.7uF,20%,35V,GP,TP,4x5,5	
.....6 L112	3301-000287	CORE-FERRITE BEAD;AA,3.5x1.0x6.0mm,1500,	6 CD609	2401-001250	C-AL;4.7uF,20%,35V,GP,TP,4x5,5	
.....6 L113	2901-000297	FILTER-EMI ON BOARD;-3A,-,-,3.5x5,TP-	6 CD610	2401-001250	C-AL;4.7uF,20%,35V,GP,TP,4x5,5	
.....6 L603	3301-000287	CORE-FERRITE BEAD;AA,3.5x1.0x6.0mm,1500,	6 CD611	2401-001250	C-AL;4.7uF,20%,35V,GP,TP,4x5,5	
.....6 L604	3301-000287	CORE-FERRITE BEAD;AA,3.5x1.0x6.0mm,1500,	6 CD612	2401-001250	C-AL;4.7uF,20%,35V,GP,TP,4x5,5	
.....6 L605	3301-000287	CORE-FERRITE BEAD;AA,3.5x1.0x6.0mm,1500,	6 CD614	2401-000486	C-AL;10uF,20%,50V,GP,TP,6.3x7mm,5	
.....6 L901	2701-000115	INDUCTOR-AXIAL;10uH,10%,3x7mm	6 CD616	2401-000486	C-AL;10uF,20%,50V,GP,TP,6.3x7mm,5	
.....6 LDZ101	0403-000510	DIODE-ZENER;MTZJ6.2B,6.2V,5.96-6.27V,500	6 CD621	2401-000922	C-AL;22uF,20%,16V,GP,TP,5x5,5	
.....6 LDZ102	0403-000510	DIODE-ZENER;MTZJ6.2B,6.2V,5.96-6.27V,500	6 CD622	2401-000922	C-AL;22uF,20%,16V,GP,TP,5x5,5	
.....6 LZ101	2701-000142	INDUCTOR-AXIAL;1uH,10%,2.5x3.4mm	6 CD623	2401-000922	C-AL;22uF,20%,16V,GP,TP,5x5,5	
.....6 LZ102	2701-000142	INDUCTOR-AXIAL;1uH,10%,2.5x3.4mm	6 CD624	2401-000922	C-AL;22uF,20%,16V,GP,TP,5x5,5	
.....6 LZ103	2701-001030	INDUCTOR-AXIAL;43uH,10%,5x14mm	6 CD625	2401-000922	C-AL;22uF,20%,16V,GP,TP,5x5,5	
.....6 LZ104	2701-001030	INDUCTOR-AXIAL;43uH,10%,5x14mm	6 CD626	2401-000426	C-AL;10uF,20%,16V,GP,TP,3.5x5,5	
.....6 PCB	AA41-00332D	PCB-MAIN;PCL545R,FR-1,1L,D,1.6T,330X245,	S.N.A6 CD627	2401-000922	C-AL;22uF,20%,16V,GP,TP,5x5,5	
.....6 Q601	0501-000389	TR-SMALL SIGNAL;KSC815,NPN,400mW,TO-92,T	6 CD628	2401-000922	C-AL;22uF,20%,16V,GP,TP,5x5,5	
.....6 Q666	0501-000389	TR-SMALL SIGNAL;KSC815,NPN,400mW,TO-92,T	6 CD630	2401-000426	C-AL;10uF,20%,16V,GP,TP,3.5x5,5	
.....6 Q668	0501-000389	TR-SMALL SIGNAL;KSC815,NPN,400mW,TO-92,T	6 CD632	2401-000444	C-AL;10uF,20%,25V,GP,TP,5x5mm,5mm	
.....6 Q701	0501-000389	TR-SMALL SIGNAL;KSC815,NPN,400mW,TO-92,T	6 CD639	2401-000302	C-AL;100uF,20%,25V,GP,TP,6.3x11,5	
.....6 Q702	0501-000389	TR-SMALL SIGNAL;KSC815,NPN,400mW,TO-92,T	6 CD641	2401-002009	C-AL;100uF,20%,16V,GP,TP,6.3x7,5	
.....6 R102	2001-000281	R-CARBON;100OHM,5%,1/8W,AA,TP,1.8X3.2MM	6 CD650	2401-001250	C-AL;4.7uF,20%,35V,GP,TP,4x5,5	
.....6 R103	2001-000281	R-CARBON;100OHM,5%,1/8W,AA,TP,1.8X3.2MM	6 CD652	2401-001250	C-AL;4.7uF,20%,35V,GP,TP,4x5,5	
.....6 R104	2001-000066	R-CARBON(S);10KOHM,5%,1/2W,AA,TP,2.4X6.4	6 CD653	2401-000922	C-AL;22uF,20%,16V,GP,TP,5x5,5	
.....6 R105	2001-000281	R-CARBON;100OHM,5%,1/8W,AA,TP,1.8X3.2MM	6 CD654	2401-000922	C-AL;22uF,20%,16V,GP,TP,5x5,5	
.....6 R106	2001-000281	R-CARBON;100OHM,5%,1/8W,AA,TP,1.8X3.2MM	6 CD660	2401-000922	C-AL;22uF,20%,16V,GP,TP,5x5,5	
.....6 R107	2001-000739	R-CARBON;4.7MOHM,5%,1/8W,AA,TP,1.8X3.2MM	6 LD601	2701-001032	INDUCTOR-AXIAL;100uH,10%,5x14mm	
.....6 R110	2001-000739	R-CARBON;4.7MOHM,5%,1/8W,AA,TP,1.8X3.2MM	6 LD602	2701-001032	INDUCTOR-AXIAL;100uH,10%,5x14mm	
.....6 R111	2001-000037	R-CARBON(S);330OHM,5%,1/2W,AA,TP,2.4X6.4	6 LD603	2701-001032	INDUCTOR-AXIAL;100uH,10%,5x14mm	
.....6 R112	2001-000739	R-CARBON;4.7MOHM,5%,1/8W,AA,TP,1.8X3.2MM	6	AA97-06959A	ASSY SMD-SOUND;PCL5415R,P54A,AA95-01103B S.N.A	
.....6 R113	2001-000739	R-CARBON;4.7MOHM,5%,1/8W,AA,TP,1.8X3.2MM	7CD602	2203-000181	C-CERAMIC,CHIP;100nF,+80-20%,25V,Y5V,TP,	
.....6 R115	2001-000869	R-CARBON;56OHM,5%,1/8W,AA,TP,1.8X3.2MM	7CD606	2203-000181	C-CERAMIC,CHIP;100nF,+80-20%,25V,Y5V,TP,	
.....6 R117	2001-000938	R-CARBON;68OHM,5%,1/8W,AA,TP,1.8X3.2MM	7CD613	2203-000181	C-CERAMIC,CHIP;100nF,+80-20%,25V,Y5V,TP,	
.....6 R602	2001-000429	R-CARBON;1KOHM,5%,1/8W,AA,TP,1.8X3.2MM	7CD617	2203-001211	C-CERAMIC,CHIP;8.2nF,10%,50V,X7R,TP,1608	
.....6 R603	2001-001097	R-CARBON(S);2.4KOHM,5%,1/2W,AA,TP,2.4X6.4	7CD618	2203-001211	C-CERAMIC,CHIP;8.2nF,10%,50V,X7R,TP,1608	
.....6 R604	2001-001168	R-CARBON(S);6.8KOHM,5%,1/2W,AA,TP,2.4X6.4	7CD619	2203-001211	C-CERAMIC,CHIP;8.2nF,10%,50V,X7R,TP,1608	
.....6 R605	2001-001106	R-CARBON(S);220KOHM,5%,1/2W,AA,TP,2.4X6.4	7CD620	2203-001211	C-CERAMIC,CHIP;8.2nF,10%,50V,X7R,TP,1608	
.....6 R661	2004-001970	R-METAL(S);1.8Kohm,1%,1/2W,AA,TP,6.5x2.5	7CD629	2203-005590	C-CERAMIC,CHIP;330nF,10%,16V,X7R,TP,2012	
.....6 R662	2004-001970	R-METAL(S);1.8Kohm,1%,1/2W,AA,TP,6.5x2.5	7CD631	2203-000181	C-CERAMIC,CHIP;100nF,+80-20%,25V,Y5V,TP,	

Electrical Parts List

Loc. No.	Code No.	Description ; Specification	Remark	Loc. No.	Code No.	Description ; Specification	Remark
.....7CD633	2203-000332	C-CERAMIC,CHIP;0.012nF,5%,50V,NPO,TP,160	6 PC41	2401-001496	C-AL;47uF,20%,16V,GP,TP;5x7,5	
.....7CD634	2203-000332	C-CERAMIC,CHIP;0.012nF,5%,50V,NPO,TP,160	6 PC43	2401-001496	C-AL;47uF,20%,16V,GP,TP;5x7,5	
.....7CD635	2203-001071	C-CERAMIC,CHIP;0.056nF,5%,50V,NPO,TP,160	6 SC01	2401-001496	C-AL;47uF,20%,16V,GP,TP;5x7,5	
.....7CD636	2203-001071	C-CERAMIC,CHIP;0.056nF,5%,50V,NPO,TP,160	6 SC03	2401-001496	C-AL;47uF,20%,16V,GP,TP;5x7,5	
.....7CD637	2203-001071	C-CERAMIC,CHIP;0.056nF,5%,50V,NPO,TP,160	6 SC22	2401-003102	C-AL;100uF,20%,10V,GP,TP;5x11,5	
.....7CD638	2203-000236	C-CERAMIC,CHIP;0.1nF,5%,50V,NPO,TP,1608	6 SC30	2401-000480	C-AL;10uF,20%,50V,GP,TP;5x11,5	
.....7CD640	2203-000181	C-CERAMIC,CHIP;100nF,+80-20%,25V,Y5V,TP	6 SC31	2401-000480	C-AL;10uF,20%,50V,GP,TP;5x11,5	
.....7CD642	2203-000140	C-CERAMIC,CHIP;1.5nF,10%,50V,X7R,TP,1608	6 SC36	2401-000480	C-AL;10uF,20%,50V,GP,TP;5x11,5	
.....7CD643	2203-000140	C-CERAMIC,CHIP;1.5nF,10%,50V,X7R,TP,1608	6 SC51	2401-001496	C-AL;47uF,20%,16V,GP,TP;5x7,5	
.....7CD648	2203-000440	C-CERAMIC,CHIP;1nF,10%,50V,X7R,TP,1608,-	6 SC53	2401-001496	C-AL;47uF,20%,16V,GP,TP;5x7,5	
.....7CD649	2203-000440	C-CERAMIC,CHIP;1nF,10%,50V,X7R,TP,1608,-	6 YC21	2401-001496	C-AL;47uF,20%,16V,GP,TP;5x7,5	
.....7CD662	2203-000181	C-CERAMIC,CHIP;100nF,+80-20%,25V,Y5V,TP	6 YC26	2401-001496	C-AL;47uF,20%,16V,GP,TP;5x7,5	
.....7CD670	2203-000236	C-CERAMIC,CHIP;0.1nF,5%,50V,NPO,TP,1608	6 YC31	2401-000486	C-AL;10uF,20%,50V,GP,TP;6.3x7mm,5	
.....7ICD601	1204-001631	IC-SOUND PROCESSOR;MSP3450G,QFP,80P,-PL	6 YC38	2401-000486	C-AL;10uF,20%,50V,GP,TP;6.3x7mm,5	
.....7ICD602	1201-000541	IC-OP AMP;062,SOP,8P;153MIL,DUAL,6V/mV,P	6 YC57	2401-001496	C-AL;47uF,20%,16V,GP,TP;5x7,5	
.....7PCB	AA41-00335A	PCB-SOUND;PCL1545R,FR-4,2L,A,1.6T,180X245	S.N.A6 YC62	2401-000598	C-AL;1uF,20%,50V,GP,TP;4x7,5	
.....7RD601	2007-000078	R-CHIP;1Kohm,5%,1/16W,DA,TP,1608	6	AA97-06230A	ASSY SMD-SUB;PCL6215R,P54A	
.....7RD602	2007-000078	R-CHIP;1Kohm,5%,1/16W,DA,TP,1608	7CC01	2203-001603	C-CERAMIC,CHIP;220nF,10%,16V,X7R,TP,2012	
.....7RD603	2007-000078	R-CHIP;1Kohm,5%,1/16W,DA,TP,1608	7CC02	2203-000181	C-CERAMIC,CHIP;100nF,+80-20%,25V,Y5V,TP	
.....7RD604	2007-000078	R-CHIP;1Kohm,5%,1/16W,DA,TP,1608	7CC03	2203-001603	C-CERAMIC,CHIP;220nF,10%,16V,X7R,TP,2012	
.....7RD605	2007-000078	R-CHIP;1Kohm,5%,1/16W,DA,TP,1608	7CC04	2203-001603	C-CERAMIC,CHIP;220nF,10%,16V,X7R,TP,2012	
.....7RD606	2007-000078	R-CHIP;1Kohm,5%,1/16W,DA,TP,1608	7CC05	2203-000140	C-CERAMIC,CHIP;1.5nF,10%,50V,X7R,TP,1608	
.....7RD607	2007-000078	R-CHIP;1Kohm,5%,1/16W,DA,TP,1608	7CC06	2203-000838	C-CERAMIC,CHIP;0.39nF,5%,50V,NPO,TP,1608	
.....7RD608	2007-000078	R-CHIP;1Kohm,5%,1/16W,DA,TP,1608	7CC07	2203-000181	C-CERAMIC,CHIP;100nF,+80-20%,25V,Y5V,TP	
.....7RD609	2007-000078	R-CHIP;1Kohm,5%,1/16W,DA,TP,1608	7CC08	2203-000975	C-CERAMIC,CHIP;47nF,10%,25V,X7R,TP,1608	
.....7RD610	2007-000074	R-CHIP;100ohm,5%,1/16W,DA,TP,1608	7CC09	2203-000140	C-CERAMIC,CHIP;1.5nF,10%,50V,X7R,TP,1608	
.....7RD611	2007-000074	R-CHIP;100ohm,5%,1/16W,DA,TP,1608	7CC10	2203-000181	C-CERAMIC,CHIP;100nF,+80-20%,25V,Y5V,TP	
.....7RD613	2007-000084	R-CHIP;4.7Kohm,5%,1/16W,DA,TP,1608	7CC11	2203-000181	C-CERAMIC,CHIP;100nF,+80-20%,25V,Y5V,TP	
.....7RD614	2007-000074	R-CHIP;100ohm,5%,1/16W,DA,TP,1608	7CC12	2203-000181	C-CERAMIC,CHIP;100nF,+80-20%,25V,Y5V,TP	
.....7RD615	2007-000074	R-CHIP;100ohm,5%,1/16W,DA,TP,1608	7CC13	2203-000181	C-CERAMIC,CHIP;100nF,+80-20%,25V,Y5V,TP	
.....7RD616	2007-000078	R-CHIP;1Kohm,5%,1/16W,DA,TP,1608	7CC14	2203-000181	C-CERAMIC,CHIP;100nF,+80-20%,25V,Y5V,TP	
.....7RD617	2007-000078	R-CHIP;1Kohm,5%,1/16W,DA,TP,1608	7CC15	2203-001646	C-CERAMIC,CHIP;3pF,0.5pF,50V,NPO,TP,2012	
.....7RD618	2007-000084	R-CHIP;4.7Kohm,5%,1/16W,DA,TP,1608	7CC16	2203-001646	C-CERAMIC,CHIP;3pF,0.5pF,50V,NPO,TP,2012	
.....7RD619	2007-001179	R-CHIP;8.2Kohm,5%,1/16W,DA,TP,1608	7CC18	2203-000975	C-CERAMIC,CHIP;47nF,10%,25V,X7R,TP,1608	
.....7RD620	2007-000134	R-CHIP;33Kohm,5%,1/16W,DA,TP,1608	7CC20	2203-001603	C-CERAMIC,CHIP;220nF,10%,16V,X7R,TP,2012	
.....7RD621	2007-001010	R-CHIP;51Kohm,5%,1/16W,DA,TP,1608	7CC21	2203-000140	C-CERAMIC,CHIP;1.5nF,10%,50V,X7R,TP,1608	
.....7RD622	2007-000329	R-CHIP;11Kohm,5%,1/16W,DA,TP,1608	7CC22	2203-000838	C-CERAMIC,CHIP;0.39nF,5%,50V,NPO,TP,1608	
.....7RD623	2007-000329	R-CHIP;11Kohm,5%,1/16W,DA,TP,1608	7CC23	2203-000440	C-CERAMIC,CHIP;1nF,10%,50V,X7R,TP,1608,-	
.....7RD624	2007-001010	R-CHIP;51Kohm,5%,1/16W,DA,TP,1608	7CC24	2203-005590	C-CERAMIC,CHIP;330NF,10%,16V,X7R,TP,2012	
.....7RD625	2007-001179	R-CHIP;8.2Kohm,5%,1/16W,DA,TP,1608	7CC25	2203-005590	C-CERAMIC,CHIP;330NF,10%,16V,X7R,TP,2012	
.....7RD626	2007-000134	R-CHIP;33Kohm,5%,1/16W,DA,TP,1608	7CC26	2203-005590	C-CERAMIC,CHIP;330NF,10%,16V,X7R,TP,2012	
.....7RD627	2007-000084	R-CHIP;4.7Kohm,5%,1/16W,DA,TP,1608	7CC27	2203-005590	C-CERAMIC,CHIP;330NF,10%,16V,X7R,TP,2012	
.....7RD628	2007-000078	R-CHIP;1Kohm,5%,1/16W,DA,TP,1608	7CC29	2203-001603	C-CERAMIC,CHIP;220nF,10%,16V,X7R,TP,2012	
.....7RD629	2007-000078	R-CHIP;1Kohm,5%,1/16W,DA,TP,1608	7CC30	2203-000140	C-CERAMIC,CHIP;1.5nF,10%,50V,X7R,TP,1608	
.....7RD638	2007-000078	R-CHIP;1Kohm,5%,1/16W,DA,TP,1608	7CC31	2203-000838	C-CERAMIC,CHIP;0.39nF,5%,50V,NPO,TP,1608	
.....5	0202-001167	SOLDER-CREAM;RX3603-2330HO,S45A,PASTE,SN	S.N.A7CC33	2203-000975	C-CERAMIC,CHIP;47nF,10%,25V,X7R,TP,1608	
.....5	0202-000187	SOLDER-WIRE FLUX;-RS60S,D1.2,63Sn/37Pb	S.N.A7CC35	2203-005590	C-CERAMIC,CHIP;330NF,10%,16V,X7R,TP,2012	
.....4	AA95-01835C	ASSY SUB-PCB,PROSCAN;PCL6215R,P54A,AA95-	7CC36	2203-005590	C-CERAMIC,CHIP;330NF,10%,16V,X7R,TP,2012	
.....5 CN01	3703-001124	CONNECTOR-DIN;32P,2R,MALE,ANGLE,AUF	7CC37	2203-000681	C-CERAMIC,CHIP;0.027nF,5%,50V,NPO,TP,160	
.....5 CN02	3703-001124	CONNECTOR-DIN;32P,2R,MALE,ANGLE,AUF	7CC38	2203-000681	C-CERAMIC,CHIP;0.027nF,5%,50V,NPO,TP,160	
.....5 CX01	2801-004019	CRYSTAL-UNIT;20.25MHZ,30ppm,28-AAM,13pF	7CC40	2203-000681	C-CERAMIC,CHIP;0.027nF,5%,50V,NPO,TP,160	
.....5 DX01	2801-003811	CRYSTAL-UNIT;24.576MHZ,20PPM,28-AAM,30PF	7CC41	2203-000998	C-CERAMIC,CHIP;0.047nF,5%,50V,NPO,TP,160	
.....5 XP701	2801-004019	CRYSTAL-UNIT;20.25MHZ,30ppm,28-AAM,13pF	7CC43	2203-000181	C-CERAMIC,CHIP;100nF,+80-20%,25V,Y5V,TP	
.....5	AA97-05432A	ASSY AUTO-SUB;PCL6215R,P54A	7CC47	2203-000181	C-CERAMIC,CHIP;100nF,+80-20%,25V,Y5V,TP	
.....6 CC17	2401-002183	C-AL;220uF,20%,16V,GP,TP;8x9,5mm	7CC48	2203-005384	C-CERAMIC,CHIP;4700nF,+80-20%,10V,Y5V,TP	
.....6 CC19	2401-001496	C-AL;47uF,20%,16V,GP,TP;5x7,5	7CC49	2203-005384	C-CERAMIC,CHIP;4700nF,+80-20%,10V,Y5V,TP	
.....6 CC28	2401-001496	C-AL;47uF,20%,16V,GP,TP;5x7,5	7CC50	2203-005384	C-CERAMIC,CHIP;4700nF,+80-20%,10V,Y5V,TP	
.....6 CC32	2401-002183	C-AL;220uF,20%,16V,GP,TP;8x9,5mm	7CC51	2203-000783	C-CERAMIC,CHIP;0.33nF,5%,50V,NPO,TP,1608	
.....6 CC42	2401-001496	C-AL;47uF,20%,16V,GP,TP;5x7,5	7CD01	0401-000133	DIODE-SWITCHING;RLS4148,100V,200MA,SOD-8	
.....6 CC44	2401-001496	C-AL;47uF,20%,16V,GP,TP;5x7,5	7CD02	0401-000133	DIODE-SWITCHING;RLS4148,100V,200MA,SOD-8	
.....6 CC45	2401-000486	C-AL;10uF,20%,50V,GP,TP;6.3x7mm,5	7CF01	2901-001120	FILTER-EMI SMD;25V,100mA,-,-,3.2x1.6x1,T	
.....6 CP707	2401-001496	C-AL;47uF,20%,16V,GP,TP;5x7,5	7CF02	2901-001120	FILTER-EMI SMD;25V,100mA,-,-,3.2x1.6x1,T	
.....6 CP709	2401-001496	C-AL;47uF,20%,16V,GP,TP;5x7,5	7CL03	3301-001186	CORE-FERRITE BEAD;AB,600ohm,3.2x1.6x1.3m	
.....6 CP725	2401-000598	C-AL;1uF,20%,50V,GP,TP;4x7,5	7CL05	3301-001324	CORE-FERRITE BEAD;AB,150HM,2X1.25X0.9MM,	
.....6 CP727	2401-002183	C-AL;220uF,20%,16V,GP,TP;8x9,5mm	7CL06	3301-001324	CORE-FERRITE BEAD;AB,150HM,2X1.25X0.9MM,	
.....6 CP730	2401-000665	C-AL;2.2uF,20%,50V,GP,TP;3.5x5,5	7CL07	3301-001324	CORE-FERRITE BEAD;AB,150HM,2X1.25X0.9MM,	
.....6 CP731	2401-000665	C-AL;2.2uF,20%,50V,GP,TP;3.5x5,5	7CP701	2203-000274	C-CERAMIC,CHIP;0.01nF,0.25pF,50V,NPO,TP	
.....6 CP741	2401-001496	C-AL;47uF,20%,16V,GP,TP;5x7,5	7CP702	2203-000274	C-CERAMIC,CHIP;0.01nF,0.25pF,50V,NPO,TP	
.....6 CP742	2401-002183	C-AL;220uF,20%,16V,GP,TP;8x9,5mm	7CP703	2203-001223	C-CERAMIC,CHIP;0.82nF,10%,50V,X7R,TP,201	
.....6 CP743	2401-002183	C-AL;220uF,20%,16V,GP,TP;8x9,5mm	7CP704	2203-000405	C-CERAMIC,CHIP;0.18nF,5%,50V,NPO,TP,1608	
.....6 CP744	2401-002183	C-AL;220uF,20%,16V,GP,TP;8x9,5mm	7CP708	2203-000181	C-CERAMIC,CHIP;100nF,+80-20%,25V,Y5V,TP	
.....6 DC16	2401-001496	C-AL;47uF,20%,16V,GP,TP;5x7,5	7CP710	2203-000181	C-CERAMIC,CHIP;100nF,+80-20%,25V,Y5V,TP	
.....6 DC17	2401-002009	C-AL;100uF,20%,16V,GP,TP;6.3x7,5	7CP724	2203-000181	C-CERAMIC,CHIP;100nF,+80-20%,25V,Y5V,TP	
.....6 DC19	2401-002009	C-AL;100uF,20%,16V,GP,TP;6.3x7,5	7CP726	2203-000181	C-CERAMIC,CHIP;100nF,+80-20%,25V,Y5V,TP	
.....6 DC27	2401-000598	C-AL;1uF,20%,50V,GP,TP;4x7,5	7CP728	2203-000257	C-CERAMIC,CHIP;10nF,10%,50V,X7R,TP,1608	
.....6 DC39	2401-000598	C-AL;1uF,20%,50V,GP,TP;4x7,5	7CP729	2203-000257	C-CERAMIC,CHIP;10nF,10%,50V,X7R,TP,1608	
.....6 IC12	1203-001140	IC-VOL. DETECTOR;7039,TO-92P,3P,-PLASTI	7CP732	2203-000181	C-CERAMIC,CHIP;100nF,+80-20%,25V,Y5V,TP	

Loc. No.	Code No.	Description ; Specification	Remark	Loc. No.	Code No.	Description ; Specification	Remark
.....7CP733	2203-000181	C-CERAMIC,CHIP;100nF,+80-20%,25V,Y5V,TP,	7DD03	0403-001127	DIODE-ZENER;02DZ5.1,5,1,200mW,SOD-323,TP	
.....7CP734	2203-000181	C-CERAMIC,CHIP;100nF,+80-20%,25V,Y5V,TP,	7DD06	0403-001127	DIODE-ZENER;02DZ5.1,5,1,200mW,SOD-323,TP	
.....7CP745	2203-000938	C-CERAMIC,CHIP;0.47nF,5%,50V,NPO,TP,2012	7DD07	0401-000133	DIODE-SWITCHING;RLS4148,100V,200MA,SOD-8	
.....7CP746	2203-000938	C-CERAMIC,CHIP;0.47nF,5%,50V,NPO,TP,2012	7DL05	3301-001324	CORE-FERRITE BEAD;AB,150HM,2X1.25X0.9MM,	
.....7CP747	2203-000683	C-CERAMIC,CHIP;0.027nF,5%,50V,NPO,TP,201	7DL06	3301-001324	CORE-FERRITE BEAD;AB,150HM,2X1.25X0.9MM,	
.....7CP748	2203-001603	C-CERAMIC,CHIP;220nF,10%,16V,X7R,TP,2012	7DL07	2703-000274	INDUCTOR-SMD;2.2uH,10%,1.25x2x0.85mm	
.....7CP749	2203-001603	C-CERAMIC,CHIP;220nF,10%,16V,X7R,TP,2012	7DQ01	0501-000280	TR-SMALL SIGNAL;KSA1182,PNP,150mW,SOT-23	
.....7CP750	2203-000181	C-CERAMIC,CHIP;100nF,+80-20%,25V,Y5V,TP,	7DR16	2007-000074	R-CHIP;100ohm,5%,1/16W,DA,TP,1608	
.....7CP751	2203-000181	C-CERAMIC,CHIP;100nF,+80-20%,25V,Y5V,TP,	7DR17	2007-000074	R-CHIP;100ohm,5%,1/16W,DA,TP,1608	
.....7CP752	2203-000181	C-CERAMIC,CHIP;100nF,+80-20%,25V,Y5V,TP,	7DR18	2007-000101	R-CHIP;82Kohm,5%,1/16W,DA,TP,1608	
.....7CP753	2203-000181	C-CERAMIC,CHIP;100nF,+80-20%,25V,Y5V,TP,	7DR19	2007-000072	R-CHIP;47ohm,5%,1/16W,DA,TP,1608	
.....7CP754	2203-000181	C-CERAMIC,CHIP;100nF,+80-20%,25V,Y5V,TP,	7DR20	2007-000081	R-CHIP;4.7Kohm,5%,1/16W,DA,TP,1608	
.....7CP756	2203-000181	C-CERAMIC,CHIP;100nF,+80-20%,25V,Y5V,TP,	7DR22	2007-000084	R-CHIP;4.7Kohm,5%,1/16W,DA,TP,1608	
.....7CP757	2203-000938	C-CERAMIC,CHIP;0.47nF,5%,50V,NPO,TP,2012	7DR23	2007-000097	R-CHIP;47Kohm,5%,1/16W,DA,TP,1608	
.....7CQ01	0501-000344	TR-SMALL SIGNAL;KSC1623-G,NPN,200mW,SOT-	7DR24	2007-000100	R-CHIP;68Kohm,5%,1/16W,DA,TP,1608	
.....7CQ02	0501-000344	TR-SMALL SIGNAL;KSC1623-G,NPN,200mW,SOT-	7DR25	2007-000129	R-CHIP;27Kohm,5%,1/16W,DA,TP,1608	
.....7CQ03	0501-000344	TR-SMALL SIGNAL;KSC1623-G,NPN,200mW,SOT-	7DR26	2007-000090	R-CHIP;10KOHM,5%,1/16W,DA,TP,1608	
.....7CQ04	0501-000344	TR-SMALL SIGNAL;KSC1623-G,NPN,200mW,SOT-	7DR27	2007-000127	R-CHIP;9.1Kohm,5%,1/16W,DA,TP,1608	
.....7CQ05	0501-000344	TR-SMALL SIGNAL;KSC1623-G,NPN,200mW,SOT-	7DR29	2007-000078	R-CHIP;1Kohm,5%,1/16W,DA,TP,1608	
.....7CR01	2007-001167	R-CHIP;75ohm,5%,1/16W,DA,TP,1608	7DR30	2007-000078	R-CHIP;1Kohm,5%,1/16W,DA,TP,1608	
.....7CR02	2007-000028	R-CHIP;390HM,5%,1/10W,DA,TP,2012	7DR31	2007-000078	R-CHIP;1Kohm,5%,1/16W,DA,TP,1608	
.....7CR03	2007-001166	R-CHIP;75OHM,5%,1/10W,DA,TP,2012	7DR32	2007-000118	R-CHIP;390ohm,5%,1/16W,DA,TP,1608	
.....7CR04	2007-000028	R-CHIP;390HM,5%,1/10W,DA,TP,2012	7DR33	2007-000078	R-CHIP;1Kohm,5%,1/16W,DA,TP,1608	
.....7CR05	2007-001167	R-CHIP;75ohm,5%,1/16W,DA,TP,1608	7DR34	2007-000074	R-CHIP;100ohm,5%,1/16W,DA,TP,1608	
.....7CR06	2007-001167	R-CHIP;75ohm,5%,1/16W,DA,TP,1608	7DR35	2007-000084	R-CHIP;4.7Kohm,5%,1/16W,DA,TP,1608	
.....7CR08	2007-001167	R-CHIP;75ohm,5%,1/16W,DA,TP,1608	7DR36	2007-000077	R-CHIP;470ohm,5%,1/16W,DA,TP,1608	
.....7CR09	2007-000074	R-CHIP;100ohm,5%,1/16W,DA,TP,1608	7DR37	2007-000084	R-CHIP;4.7Kohm,5%,1/16W,DA,TP,1608	
.....7CR10	2007-000074	R-CHIP;100ohm,5%,1/16W,DA,TP,1608	7DR38	2007-000079	R-CHIP;1.8Kohm,5%,1/16W,DA,TP,1608	
.....7CR15	2007-000029	R-CHIP;0OHM,5%,1/10W,DA,TP,2012	7DR40	2007-000074	R-CHIP;100ohm,5%,1/16W,DA,TP,1608	
.....7CR16	2703-000274	INDUCTOR-SMD;2.2uH,10%,1.25x2x0.85mm	7DR41	2007-000074	R-CHIP;100ohm,5%,1/16W,DA,TP,1608	
.....7CR20	2007-000074	R-CHIP;100ohm,5%,1/16W,DA,TP,1608	7DR44	2007-000084	R-CHIP;4.7Kohm,5%,1/16W,DA,TP,1608	
.....7CR22	2007-000074	R-CHIP;100ohm,5%,1/16W,DA,TP,1608	7DR46	2007-000124	R-CHIP;2.2Kohm,5%,1/16W,DA,TP,1608	
.....7CR25	2007-001166	R-CHIP;75OHM,5%,1/10W,DA,TP,2012	7IC01	1204-001598	IC-VIDEO PROCESS;VPC3230D-B2,QFP,80P,-,P	
.....7CR27	2007-000074	R-CHIP;100ohm,5%,1/16W,DA,TP,1608	7IC02	1204-001623	IC-VERTICAL PROCESS;SDA9400,QFP,64P,-,P	
.....7CR28	2007-000078	R-CHIP;1Kohm,5%,1/16W,DA,TP,1608	7IC03	1002-001045	IC-D/A CONVERTER;9280,8BIT,PLCC,68P,-,-	
.....7CR29	2007-000124	R-CHIP;2.2Kohm,5%,1/16W,DA,TP,1608	7IC04	1205-001172	IC-INTERFACE;CIP3250A-B1,PLCC,68P,-,PLA	
.....7CR30	2007-000119	R-CHIP;560ohm,5%,1/16W,DA,TP,1608	7IC06	1204-001372	IC-HOR./VER.PROCESS;SDA9361,QFP,44P,-,P	
.....7CR31	2007-000643	R-CHIP;27ohm,5%,1/16W,DA,TP,1608	7IC07	1204-001550	IC-VIDEO PROCESS;CX2101AQ,QFP,80P,-,P	
.....7CR32	2007-000290	R-CHIP;100OHM,5%,1/10W,DA,TP,2012	7IC11	1203-001419	IC-VOLTAGE REGULATOR;4931,TO-252,3P,6.6x	
.....7CR33	2007-000290	R-CHIP;100OHM,5%,1/10W,DA,TP,2012	7IC13	1203-001419	IC-VOLTAGE REGULATOR;4931,TO-252,3P,6.6x	
.....7CR35	2007-000090	R-CHIP;10KOHM,5%,1/16W,DA,TP,1608	7ICP701	1204-001668	IC-PICTURE PROCESS;SDA9488X,SOP,28P,300M	
.....7CR37	2007-000074	R-CHIP;100ohm,5%,1/16W,DA,TP,1608	7LP701	3301-001324	CORE-FERRITE BEAD;AB,150HM,2X1.25X0.9MM,	
.....7CR38	2007-000074	R-CHIP;100ohm,5%,1/16W,DA,TP,1608	7LP702	3301-001324	CORE-FERRITE BEAD;AB,150HM,2X1.25X0.9MM,	
.....7CR39	2007-000074	R-CHIP;100ohm,5%,1/16W,DA,TP,1608	7LP703	3301-001324	CORE-FERRITE BEAD;AB,150HM,2X1.25X0.9MM,	
.....7CR45	2007-000074	R-CHIP;100ohm,5%,1/16W,DA,TP,1608	7PC42	2203-000181	C-CERAMIC,CHIP;100nF,+80-20%,25V,Y5V,TP,	
.....7CR46	2007-000078	R-CHIP;1Kohm,5%,1/16W,DA,TP,1608	7PCB	AA41-00398A	PCB-PROSCAN;PCL6215R,FR-4,4L,A,1.6T,245X	S.N.A
.....7CR47	2007-000097	R-CHIP;47Kohm,5%,1/16W,DA,TP,1608	7PIC04	1203-001419	IC-VOLTAGE REGULATOR;4931,TO-252,3P,6.6x	
.....7CR48	2007-000097	R-CHIP;47Kohm,5%,1/16W,DA,TP,1608	7PL01	3301-001324	CORE-FERRITE BEAD;AB,150HM,2X1.25X0.9MM,	
.....7CR49	2007-000077	R-CHIP;470ohm,5%,1/16W,DA,TP,1608	7PL02	3301-001324	CORE-FERRITE BEAD;AB,150HM,2X1.25X0.9MM,	
.....7CR50	2007-000097	R-CHIP;47Kohm,5%,1/16W,DA,TP,1608	7PL03	3301-001324	CORE-FERRITE BEAD;AB,150HM,2X1.25X0.9MM,	
.....7CR51	2007-000097	R-CHIP;47Kohm,5%,1/16W,DA,TP,1608	7PL04	3301-001324	CORE-FERRITE BEAD;AB,150HM,2X1.25X0.9MM,	
.....7CR52	2007-000077	R-CHIP;470ohm,5%,1/16W,DA,TP,1608	7PL05	3301-001324	CORE-FERRITE BEAD;AB,150HM,2X1.25X0.9MM,	
.....7CR53	2007-000097	R-CHIP;47Kohm,5%,1/16W,DA,TP,1608	7PR11	2007-000029	R-CHIP;0OHM,5%,1/10W,DA,TP,2012	
.....7CR54	2007-000097	R-CHIP;47Kohm,5%,1/16W,DA,TP,1608	7PR12	2007-000029	R-CHIP;0OHM,5%,1/10W,DA,TP,2012	
.....7CR55	2007-000077	R-CHIP;470ohm,5%,1/16W,DA,TP,1608	7PR19	2007-000029	R-CHIP;0OHM,5%,1/10W,DA,TP,2012	
.....7CR56	2007-000029	R-CHIP;0OHM,5%,1/10W,DA,TP,2012	7PR714	2007-000074	R-CHIP;100ohm,5%,1/16W,DA,TP,1608	
.....7DC18	2203-000181	C-CERAMIC,CHIP;100nF,+80-20%,25V,Y5V,TP,	7PR715	2007-000074	R-CHIP;100ohm,5%,1/16W,DA,TP,1608	
.....7DC20	2203-000181	C-CERAMIC,CHIP;100nF,+80-20%,25V,Y5V,TP,	7PR716	2007-000074	R-CHIP;100ohm,5%,1/16W,DA,TP,1608	
.....7DC21	2203-001083	C-CERAMIC,CHIP;0.005nF,0.1pF,50V,NPO,TP,	7PR717	2007-000074	R-CHIP;100ohm,5%,1/16W,DA,TP,1608	
.....7DC22	2203-001083	C-CERAMIC,CHIP;0.005nF,0.1pF,50V,NPO,TP,	7PR718	2007-000074	R-CHIP;100ohm,5%,1/16W,DA,TP,1608	
.....7DC23	2203-002494	C-CERAMIC,CHIP;470nF,10%,16V,X7R,TP,2012	7PR719	2007-000074	R-CHIP;100ohm,5%,1/16W,DA,TP,1608	
.....7DC24	2203-001656	C-CERAMIC,CHIP;0.47nF,5%,50V,NPO,TP,1608	7QP701	0501-000727	TR-SMALL SIGNAL;BC848C,NPN,310mW,SOT-23,	
.....7DC25	2203-000440	C-CERAMIC,CHIP;1nF,10%,50V,X7R,TP,1608,-	7RP701	2007-000074	R-CHIP;100ohm,5%,1/16W,DA,TP,1608	
.....7DC26	2203-000440	C-CERAMIC,CHIP;1nF,10%,50V,X7R,TP,1608,-	7RP702	2007-000077	R-CHIP;470ohm,5%,1/16W,DA,TP,1608	
.....7DC28	2203-000181	C-CERAMIC,CHIP;100nF,+80-20%,25V,Y5V,TP,	7RP703	2007-000078	R-CHIP;1Kohm,5%,1/16W,DA,TP,1608	
.....7DC29	2203-000440	C-CERAMIC,CHIP;1nF,10%,50V,X7R,TP,1608,-	7RP704	2007-000074	R-CHIP;100ohm,5%,1/16W,DA,TP,1608	
.....7DC30	2203-000440	C-CERAMIC,CHIP;1nF,10%,50V,X7R,TP,1608,-	7RP705	2007-000074	R-CHIP;100ohm,5%,1/16W,DA,TP,1608	
.....7DC31	2203-000440	C-CERAMIC,CHIP;1nF,10%,50V,X7R,TP,1608,-	7RP706	2007-000074	R-CHIP;100ohm,5%,1/16W,DA,TP,1608	
.....7DC32	2203-000181	C-CERAMIC,CHIP;100nF,+80-20%,25V,Y5V,TP,	7RP740	2007-000070	R-CHIP;0ohm,5%,1/16W,DA,TP,1608	
.....7DC33	2203-000181	C-CERAMIC,CHIP;100nF,+80-20%,25V,Y5V,TP,	7RP741	2007-000075	R-CHIP;220ohm,5%,1/16W,DA,TP,1608	
.....7DC34	2203-000998	C-CERAMIC,CHIP;0.047nF,5%,50V,NPO,TP,160	7RP742	2007-000075	R-CHIP;220ohm,5%,1/16W,DA,TP,1608	
.....7DC35	2203-000181	C-CERAMIC,CHIP;100nF,+80-20%,25V,Y5V,TP,	7RP743	2007-000075	R-CHIP;220ohm,5%,1/16W,DA,TP,1608	
.....7DC36	2203-000236	C-CERAMIC,CHIP;0.1nF,5%,50V,NPO,TP,1608	7RP744	2007-000075	R-CHIP;220ohm,5%,1/16W,DA,TP,1608	
.....7DC37	2203-000140	C-CERAMIC,CHIP;1.5nF,10%,50V,X7R,TP,1608	7RP745	2007-000075	R-CHIP;220ohm,5%,1/16W,DA,TP,1608	
.....7DC38	2203-000236	C-CERAMIC,CHIP;0.1nF,5%,50V,NPO,TP,1608	7RP746	2007-000075	R-CHIP;220ohm,5%,1/16W,DA,TP,1608	
.....7DD01	0401-000133	DIODE-SWITCHING;RLS4148,100V,200MA,SOD-8	7SC02	2203-000181	C-CERAMIC,CHIP;100nF,+80-20%,25V,Y5V,TP,	
.....7DD02	0401-000133	DIODE-SWITCHING;RLS4148,100V,200MA,SOD-8	7SC04	2203-000181	C-CERAMIC,CHIP;100nF,+80-20%,25V,Y5V,TP,	

Loc. No.	Code No.	Description ; Specification	Remark	Loc. No.	Code No.	Description ; Specification	Remark
.....7SC05	2203-000181	C-CERAMIC,CHIP;100nF,+80-20%,25V,Y5V,TP,	7YC22	2203-000181	C-CERAMIC,CHIP;100nF,+80-20%,25V,Y5V,TP,	
.....7SC06	2203-000181	C-CERAMIC,CHIP;100nF,+80-20%,25V,Y5V,TP,	7YC23	2203-000257	C-CERAMIC,CHIP;10nF,10%,50V,X7R,TP,1608	
.....7SC07	2203-000181	C-CERAMIC,CHIP;100nF,+80-20%,25V,Y5V,TP,	7YC24	2203-000181	C-CERAMIC,CHIP;100nF,+80-20%,25V,Y5V,TP,	
.....7SC08	2203-000181	C-CERAMIC,CHIP;100nF,+80-20%,25V,Y5V,TP,	7YC25	2203-000181	C-CERAMIC,CHIP;100nF,+80-20%,25V,Y5V,TP,	
.....7SC09	2203-000181	C-CERAMIC,CHIP;100nF,+80-20%,25V,Y5V,TP,	7YC27	2203-001603	C-CERAMIC,CHIP;220nF,10%,16V,X7R,TP,2012	
.....7SC11	2203-000181	C-CERAMIC,CHIP;100nF,+80-20%,25V,Y5V,TP,	7YC28	2203-001603	C-CERAMIC,CHIP;220nF,10%,16V,X7R,TP,2012	
.....7SC12	2203-000181	C-CERAMIC,CHIP;100nF,+80-20%,25V,Y5V,TP,	7YC29	2203-001603	C-CERAMIC,CHIP;220nF,10%,16V,X7R,TP,2012	
.....7SC13	2203-000181	C-CERAMIC,CHIP;100nF,+80-20%,25V,Y5V,TP,	7YC30	2203-002494	C-CERAMIC,CHIP;470nF,10%,16V,X7R,TP,2012	
.....7SC14	2203-000181	C-CERAMIC,CHIP;100nF,+80-20%,25V,Y5V,TP,	7YC32	2203-000257	C-CERAMIC,CHIP;10nF,10%,50V,X7R,TP,1608	
.....7SC21	2203-000181	C-CERAMIC,CHIP;100nF,+80-20%,25V,Y5V,TP,	7YC33	2203-000257	C-CERAMIC,CHIP;10nF,10%,50V,X7R,TP,1608	
.....7SC23	2203-000181	C-CERAMIC,CHIP;100nF,+80-20%,25V,Y5V,TP,	7YC34	2203-000257	C-CERAMIC,CHIP;10nF,10%,50V,X7R,TP,1608	
.....7SC24	2203-000181	C-CERAMIC,CHIP;100nF,+80-20%,25V,Y5V,TP,	7YC35	2203-000257	C-CERAMIC,CHIP;10nF,10%,50V,X7R,TP,1608	
.....7SC25	2203-000140	C-CERAMIC,CHIP;1.5nF,10%,50V,X7R,TP,1608	7YC36	2203-000257	C-CERAMIC,CHIP;10nF,10%,50V,X7R,TP,1608	
.....7SC26	2203-000236	C-CERAMIC,CHIP;0.1nF,5%,50V,NPO,TP,1608	7YC37	2203-000257	C-CERAMIC,CHIP;10nF,10%,50V,X7R,TP,1608	
.....7SC27	2203-000181	C-CERAMIC,CHIP;100nF,+80-20%,25V,Y5V,TP,	7YC39	2203-000998	C-CERAMIC,CHIP;0.047nF,5%,50V,NPO,TP,160	
.....7SC28	2203-000552	C-CERAMIC,CHIP;0.02nF,5%,50V,NPO,TP,1608	7YC40	2203-000998	C-CERAMIC,CHIP;0.047nF,5%,50V,NPO,TP,160	
.....7SC29	2203-000181	C-CERAMIC,CHIP;100nF,+80-20%,25V,Y5V,TP,	7YC45	2203-002494	C-CERAMIC,CHIP;470nF,10%,16V,X7R,TP,2012	
.....7SC32	2203-000181	C-CERAMIC,CHIP;100nF,+80-20%,25V,Y5V,TP,	7YC46	2203-000257	C-CERAMIC,CHIP;10nF,10%,50V,X7R,TP,1608	
.....7SC33	2203-000552	C-CERAMIC,CHIP;0.02nF,5%,50V,NPO,TP,1608	7YC47	2203-000257	C-CERAMIC,CHIP;10nF,10%,50V,X7R,TP,1608	
.....7SC34	2203-000181	C-CERAMIC,CHIP;100nF,+80-20%,25V,Y5V,TP,	7YC48	2203-000257	C-CERAMIC,CHIP;10nF,10%,50V,X7R,TP,1608	
.....7SC35	2203-000181	C-CERAMIC,CHIP;100nF,+80-20%,25V,Y5V,TP,	7YC49	2203-000181	C-CERAMIC,CHIP;100nF,+80-20%,25V,Y5V,TP,	
.....7SC37	2203-000181	C-CERAMIC,CHIP;100nF,+80-20%,25V,Y5V,TP,	7YC50	2203-002494	C-CERAMIC,CHIP;470nF,10%,16V,X7R,TP,2012	
.....7SC38	2203-000552	C-CERAMIC,CHIP;0.02nF,5%,50V,NPO,TP,1608	7YC51	2203-000491	C-CERAMIC,CHIP;2.2nF,10%,50V,X7R,TP,1608	
.....7SC52	2203-000181	C-CERAMIC,CHIP;100nF,+80-20%,25V,Y5V,TP,	7YC52	2203-001083	C-CERAMIC,CHIP;0.005nF,0.1pF,50V,NPO,TP,	
.....7SC54	2203-000181	C-CERAMIC,CHIP;100nF,+80-20%,25V,Y5V,TP,	7YC53	2203-000181	C-CERAMIC,CHIP;100nF,+80-20%,25V,Y5V,TP,	
.....7SF01	2901-001120	FILTER-EMI SMD;25V,100mA,-,-,3.2x1.6x1.T	7YC54	2203-000181	C-CERAMIC,CHIP;100nF,+80-20%,25V,Y5V,TP,	
.....7SL01	3301-001324	CORE-FERRITE BEAD;AB,150OHM,2X1.25X0.9MM,	7YC55	2203-000181	C-CERAMIC,CHIP;100nF,+80-20%,25V,Y5V,TP,	
.....7SL02	3301-001324	CORE-FERRITE BEAD;AB,150OHM,2X1.25X0.9MM,	7YC56	2203-000181	C-CERAMIC,CHIP;100nF,+80-20%,25V,Y5V,TP,	
.....7SL03	3301-001324	CORE-FERRITE BEAD;AB,150OHM,2X1.25X0.9MM,	7YC58	2203-000181	C-CERAMIC,CHIP;100nF,+80-20%,25V,Y5V,TP,	
.....7SL04	3301-001324	CORE-FERRITE BEAD;AB,150OHM,2X1.25X0.9MM,	7YC59	2203-000181	C-CERAMIC,CHIP;100nF,+80-20%,25V,Y5V,TP,	
.....7SL05	3301-001324	CORE-FERRITE BEAD;AB,150OHM,2X1.25X0.9MM,	7YC60	2203-000181	C-CERAMIC,CHIP;100nF,+80-20%,25V,Y5V,TP,	
.....7SL06	3301-001324	CORE-FERRITE BEAD;AB,150OHM,2X1.25X0.9MM,	7YC63	2203-000236	C-CERAMIC,CHIP;0.1nF,5%,50V,NPO,TP,1608	
.....7SL08	3301-001324	CORE-FERRITE BEAD;AB,150OHM,2X1.25X0.9MM,	7YC66	2203-000815	C-CERAMIC,CHIP;0.033nF,5%,50V,NPO,TP,160	
.....7SL09	3301-001186	CORE-FERRITE BEAD;AB,600ohm,3.2x1.6x1.3m	7YD01	0403-000620	DIODE-ZENER;RLZ5.6B,5.6,500mW,LL-34,TP	
.....7SR01	2007-000074	R-CHIP;100ohm,5%,1/16W,DA,TP,1608	7YD02	0403-000620	DIODE-ZENER;RLZ5.6B,5.6,500mW,LL-34,TP	
.....7SR02	2007-000074	R-CHIP;100ohm,5%,1/16W,DA,TP,1608	7YD03	0403-001117	DIODE-ZENER;RLZ12B,5%,500mW,LL-34,TP	
.....7SR03	2007-000074	R-CHIP;100ohm,5%,1/16W,DA,TP,1608	7YD04	0403-001117	DIODE-ZENER;RLZ12B,5%,500mW,LL-34,TP	
.....7SR04	2011-000585	R-NETWORK;47ohm,5%,63mW,L,CHIP,8P,TP	7YD05	0403-001117	DIODE-ZENER;RLZ12B,5%,500mW,LL-34,TP	
.....7SR05	2011-000585	R-NETWORK;47ohm,5%,63mW,L,CHIP,8P,TP	7YF01	2901-001120	FILTER-EMI SMD;25V,100mA,-,-,3.2x1.6x1.T	
.....7SR06	2011-000585	R-NETWORK;47ohm,5%,63mW,L,CHIP,8P,TP	7YF02	2901-001120	FILTER-EMI SMD;25V,100mA,-,-,3.2x1.6x1.T	
.....7SR07	2011-000585	R-NETWORK;47ohm,5%,63mW,L,CHIP,8P,TP	7YF03	2901-001120	FILTER-EMI SMD;25V,100mA,-,-,3.2x1.6x1.T	
.....7SR08	2007-000074	R-CHIP;100ohm,5%,1/16W,DA,TP,1608	7YF04	2901-001120	FILTER-EMI SMD;25V,100mA,-,-,3.2x1.6x1.T	
.....7SR09	2007-000074	R-CHIP;100ohm,5%,1/16W,DA,TP,1608	7YF05	2901-001120	FILTER-EMI SMD;25V,100mA,-,-,3.2x1.6x1.T	
.....7SR11	2007-000074	R-CHIP;100ohm,5%,1/16W,DA,TP,1608	7YL01	3301-001186	CORE-FERRITE BEAD;AB,600ohm,3.2x1.6x1.3m	
.....7SR12	2007-001056	R-CHIP;6.2Kohm,5%,1/16W,DA,TP,1608	7YL02	2703-000271	INDUCTOR-SMD;4.7uH,10%,2x1.25x1.25mm	
.....7SR13	2007-000402	R-CHIP;150ohm,5%,1/16W,DA,TP,1608	7YQ01	0501-000280	TR-SMALL SIGNAL;KSA1182,PNP,150mW,SOT-23	
.....7SR14	2007-001167	R-CHIP;75ohm,5%,1/16W,DA,TP,1608	7YQ02	0501-000280	TR-SMALL SIGNAL;KSA1182,PNP,150mW,SOT-23	
.....7SR15	2007-001167	R-CHIP;75ohm,5%,1/16W,DA,TP,1608	7YQ03	0501-000280	TR-SMALL SIGNAL;KSA1182,PNP,150mW,SOT-23	
.....7SR16	2007-000402	R-CHIP;150ohm,5%,1/16W,DA,TP,1608	7YQ06	0501-000344	TR-SMALL SIGNAL;KSC1623-G,NPN,200mW,SOT-	
.....7SR17	2007-001167	R-CHIP;75ohm,5%,1/16W,DA,TP,1608	7YQ08	0501-000280	TR-SMALL SIGNAL;KSA1182,PNP,150mW,SOT-23	
.....7SR18	2007-001167	R-CHIP;75ohm,5%,1/16W,DA,TP,1608	7YQ11	0501-000344	TR-SMALL SIGNAL;KSC1623-G,NPN,200mW,SOT-	
.....7SR19	2007-000381	R-CHIP;13Kohm,5%,1/16W,DA,TP,1608	7YQ12	0501-000344	TR-SMALL SIGNAL;KSC1623-G,NPN,200mW,SOT-	
.....7SR21	2007-000402	R-CHIP;10KOHM,5%,1/16W,DA,TP,1608	7YR05	2007-000074	R-CHIP;100ohm,5%,1/16W,DA,TP,1608	
.....7SR22	2007-001167	R-CHIP;75ohm,5%,1/16W,DA,TP,1608	7YR06	2007-000074	R-CHIP;100ohm,5%,1/16W,DA,TP,1608	
.....7SR23	2007-001167	R-CHIP;75ohm,5%,1/16W,DA,TP,1608	7YR07	2007-000074	R-CHIP;100ohm,5%,1/16W,DA,TP,1608	
.....7SR24	2007-000090	R-CHIP;10KOHM,5%,1/16W,DA,TP,1608	7YR08	2007-000074	R-CHIP;100ohm,5%,1/16W,DA,TP,1608	
.....7SR25	2007-000401	R-CHIP;150OHM,5%,1/10W,DA,TP,2012	7YR09	2007-000074	R-CHIP;100ohm,5%,1/16W,DA,TP,1608	
.....7YC01	2203-002494	C-CERAMIC,CHIP;470nF,10%,16V,X7R,TP,2012	7YR10	2007-000074	R-CHIP;100ohm,5%,1/16W,DA,TP,1608	
.....7YC02	2203-002494	C-CERAMIC,CHIP;470nF,10%,16V,X7R,TP,2012	7YR100	2007-000074	R-CHIP;100ohm,5%,1/16W,DA,TP,1608	
.....7YC03	2203-002494	C-CERAMIC,CHIP;470nF,10%,16V,X7R,TP,2012	7YR101	2007-000074	R-CHIP;100ohm,5%,1/16W,DA,TP,1608	
.....7YC04	2203-002494	C-CERAMIC,CHIP;470nF,10%,16V,X7R,TP,2012	7YR102	2007-000074	R-CHIP;100ohm,5%,1/16W,DA,TP,1608	
.....7YC05	2203-002494	C-CERAMIC,CHIP;470nF,10%,16V,X7R,TP,2012	7YR103	2007-001167	R-CHIP;75ohm,5%,1/16W,DA,TP,1608	
.....7YC06	2203-002494	C-CERAMIC,CHIP;470nF,10%,16V,X7R,TP,2012	7YR104	2007-000402	R-CHIP;150ohm,5%,1/16W,DA,TP,1608	
.....7YC07	2203-002494	C-CERAMIC,CHIP;470nF,10%,16V,X7R,TP,2012	7YR105	2007-000075	R-CHIP;220ohm,5%,1/16W,DA,TP,1608	
.....7YC08	2203-002494	C-CERAMIC,CHIP;470nF,10%,16V,X7R,TP,2012	7YR11	2007-000074	R-CHIP;100ohm,5%,1/16W,DA,TP,1608	
.....7YC09	2203-002494	C-CERAMIC,CHIP;470nF,10%,16V,X7R,TP,2012	7YR12	2007-000074	R-CHIP;100ohm,5%,1/16W,DA,TP,1608	
.....7YC10	2203-002494	C-CERAMIC,CHIP;470nF,10%,16V,X7R,TP,2012	7YR14	2007-000077	R-CHIP;470ohm,5%,1/16W,DA,TP,1608	
.....7YC11	2203-002494	C-CERAMIC,CHIP;470nF,10%,16V,X7R,TP,2012	7YR15	2007-000939	R-CHIP;47Kohm,1%,1/16W,DA,TP,1608	
.....7YC12	2203-002494	C-CERAMIC,CHIP;470nF,10%,16V,X7R,TP,2012	7YR18	2007-000074	R-CHIP;100ohm,5%,1/16W,DA,TP,1608	
.....7YC13	2203-002494	C-CERAMIC,CHIP;470nF,10%,16V,X7R,TP,2012	7YR23	2007-000078	R-CHIP;1Kohm,5%,1/16W,DA,TP,1608	
.....7YC14	2203-002494	C-CERAMIC,CHIP;470nF,10%,16V,X7R,TP,2012	7YR24	2007-000078	R-CHIP;1Kohm,5%,1/16W,DA,TP,1608	
.....7YC15	2203-002494	C-CERAMIC,CHIP;470nF,10%,16V,X7R,TP,2012	7YR25	2007-000074	R-CHIP;100ohm,5%,1/16W,DA,TP,1608	
.....7YC16	2203-002494	C-CERAMIC,CHIP;470nF,10%,16V,X7R,TP,2012	7YR26	2007-000074	R-CHIP;100ohm,5%,1/16W,DA,TP,1608	
.....7YC17	2203-002494	C-CERAMIC,CHIP;470nF,10%,16V,X7R,TP,2012	7YR27	2007-000074	R-CHIP;100ohm,5%,1/16W,DA,TP,1608	
.....7YC18	2203-002494	C-CERAMIC,CHIP;470nF,10%,16V,X7R,TP,2012	7YR28	2007-000074	R-CHIP;100ohm,5%,1/16W,DA,TP,1608	
.....7YC19	2203-002494	C-CERAMIC,CHIP;470nF,10%,16V,X7R,TP,2012	7YR29	2007-000210	R-CHIP;1.1KOHM,5%,1/10W,DA,TP,2012	
.....7YC20	2203-002494	C-CERAMIC,CHIP;470nF,10%,16V,X7R,TP,2012	7YR30	2007-000074	R-CHIP;100ohm,5%,1/16W,DA,TP,1608	

Loc. No.	Code No.	Description ; Specification	Remark	Loc. No.	Code No.	Description ; Specification	Remark
.....7YR31	2007-000210	R-CHIP;1.1KOHM,5%,1/10W,DA,TP,2012	7CD54	2203-000181	C-CERAMIC,CHIP;100nF,+80-20%,25V,Y5V,TP,	
.....7YR32	2007-000074	R-CHIP;100ohm,5%,1/16W,DA,TP,1608	7CD55	2203-000181	C-CERAMIC,CHIP;100nF,+80-20%,25V,Y5V,TP,	
.....7YR33	2007-000210	R-CHIP;1.1KOHM,5%,1/10W,DA,TP,2012	7CD56	2203-000181	C-CERAMIC,CHIP;100nF,+80-20%,25V,Y5V,TP,	
.....7YR40	2007-000691	R-CHIP;3.3Mohm,5%,1/16W,DA,TP,1608	7CD58	2203-000181	C-CERAMIC,CHIP;100nF,+80-20%,25V,Y5V,TP,	
.....7YR41	2007-000074	R-CHIP;100ohm,5%,1/16W,DA,TP,1608	7CD62	2203-000181	C-CERAMIC,CHIP;100nF,+80-20%,25V,Y5V,TP,	
.....7YR43	2007-000799	R-CHIP;360ohm,5%,1/16W,DA,TP,1608	7CD63	2203-000181	C-CERAMIC,CHIP;100nF,+80-20%,25V,Y5V,TP,	
.....7YR44	2007-000799	R-CHIP;360ohm,5%,1/16W,DA,TP,1608	7CD67	2203-000181	C-CERAMIC,CHIP;100nF,+80-20%,25V,Y5V,TP,	
.....7YR45	2007-000799	R-CHIP;360ohm,5%,1/16W,DA,TP,1608	7CD69	2203-000181	C-CERAMIC,CHIP;100nF,+80-20%,25V,Y5V,TP,	
.....7YR46	2007-000074	R-CHIP;100ohm,5%,1/16W,DA,TP,1608	7CD72	2203-000181	C-CERAMIC,CHIP;100nF,+80-20%,25V,Y5V,TP,	
.....7YR47	2007-000074	R-CHIP;100ohm,5%,1/16W,DA,TP,1608	7CD74	2203-000181	C-CERAMIC,CHIP;100nF,+80-20%,25V,Y5V,TP,	
.....7YR48	2007-000074	R-CHIP;100ohm,5%,1/16W,DA,TP,1608	7CD75	2203-000626	C-CERAMIC,CHIP;0.022nF,5%,50V,NPO,TP,160	
.....7YR50	2007-000080	R-CHIP;2Kohm,5%,1/16W,DA,TP,1608	7CD80	2203-000357	C-CERAMIC,CHIP;0.15nF,5%,50V,NPO,TP,1608	
.....7YR51	2007-000074	R-CHIP;100ohm,5%,1/16W,DA,TP,1608	7CD81	2203-000181	C-CERAMIC,CHIP;100nF,+80-20%,25V,Y5V,TP,	
.....7YR53	2007-000074	R-CHIP;100ohm,5%,1/16W,DA,TP,1608	7CD84	2203-000181	C-CERAMIC,CHIP;100nF,+80-20%,25V,Y5V,TP,	
.....7YR56	2007-000074	R-CHIP;100ohm,5%,1/16W,DA,TP,1608	7CD85	2203-000838	C-CERAMIC,CHIP;0.39nF,5%,50V,NPO,TP,1608	
.....7YR59	2007-000090	R-CHIP;10KOHM,5%,1/16W,DA,TP,1608	7CD86	2203-000181	C-CERAMIC,CHIP;100nF,+80-20%,25V,Y5V,TP,	
.....7YR60	2007-000074	R-CHIP;100ohm,5%,1/16W,DA,TP,1608	7CD87	2203-000181	C-CERAMIC,CHIP;100nF,+80-20%,25V,Y5V,TP,	
.....7YR61	2007-000097	R-CHIP;47Kohm,5%,1/16W,DA,TP,1608	7CD88	2203-000626	C-CERAMIC,CHIP;0.022nF,5%,50V,NPO,TP,160	
.....7YR62	2007-000078	R-CHIP;1Kohm,5%,1/16W,DA,TP,1608	7CD89	2203-000626	C-CERAMIC,CHIP;0.022nF,5%,50V,NPO,TP,160	
.....7YR63	2007-000074	R-CHIP;100ohm,5%,1/16W,DA,TP,1608	7CD90	2203-000181	C-CERAMIC,CHIP;100nF,+80-20%,25V,Y5V,TP,	
.....7YR64	2007-000074	R-CHIP;100ohm,5%,1/16W,DA,TP,1608	7CD91	2203-000181	C-CERAMIC,CHIP;100nF,+80-20%,25V,Y5V,TP,	
.....7YR65	2007-000583	R-CHIP;22Kohm,1%,1/16W,DA,TP,1608	7DD01	0403-001016	DIODE-ZENER;RLZ6.2B,6.2V,5.96-6.27V,400m	
.....7YR77	2007-000210	R-CHIP;1.1KOHM,5%,1/10W,DA,TP,2012	7DD02	0403-001016	DIODE-ZENER;RLZ6.2B,6.2V,5.96-6.27V,400m	
.....7YR78	2007-000210	R-CHIP;1.1KOHM,5%,1/10W,DA,TP,2012	7DD03	0401-000133	DIODE-SWITCHING;RLS4148,100V,200MA,SOD-8	
.....7YR79	2007-000210	R-CHIP;1.1KOHM,5%,1/10W,DA,TP,2012	7FD00	2909-001051	FILTER-LC;6MHz,6MHz,0.8dB,TP,5dB,6MHz,30	
.....7YR83	2007-000074	R-CHIP;100ohm,5%,1/16W,DA,TP,1608	7FD01	2909-001051	FILTER-LC;6MHz,6MHz,0.8dB,TP,5dB,6MHz,30	
.....7YR85	2007-000074	R-CHIP;100ohm,5%,1/16W,DA,TP,1608	7FD02	2909-001052	FILTER-LC;3.58MHz,3MHz,1.5dB,TP,11dB,1.0	
.....7YR86	2007-000074	R-CHIP;100ohm,5%,1/16W,DA,TP,1608	7FD03	2909-001051	FILTER-LC;6MHz,6MHz,0.8dB,TP,5dB,6MHz,30	
.....7YR88	2007-000078	R-CHIP;1Kohm,5%,1/16W,DA,TP,1608	7IC01	1204-001556	IC-SEPARATOR;UPD64082GF,QFP,100P,,PLAST	
.....7YR89	2007-000078	R-CHIP;1Kohm,5%,1/16W,DA,TP,1608	7IC02	1105-001334	IC-DRAM;4E151612,1Mx16Bit,TSOP,44P,400MI	
.....7YR90	2007-000074	R-CHIP;100ohm,5%,1/16W,DA,TP,1608	7IC04	1203-001419	IC-VOLTAGE REGULATOR;4931,TO-252,3P,6.6x	
.....7YR91	2007-000074	R-CHIP;100ohm,5%,1/16W,DA,TP,1608	7JD01	2007-000070	R-CHIP;0ohm,5%,1/16W,DA,TP,1608	
.....7YR92	2007-000074	R-CHIP;100ohm,5%,1/16W,DA,TP,1608	7JD04	2007-000070	R-CHIP;0ohm,5%,1/16W,DA,TP,1608	
.....7YR98	2007-000084	R-CHIP;4.7Kohm,5%,1/16W,DA,TP,1608	7LD09	2703-000271	INDUCTOR-SMD;4.7uH,10%,2x1.25x1.25mm	
.....7YR99	2007-000075	R-CHIP;220ohm,5%,1/16W,DA,TP,1608	7LD10	3301-001186	CORE-FERRITE BEAD;AB,600ohm,3.2x1.6x1.3mm	
.....4	AA39-20010F	LEAD CONNECTOR-ASSY;1PYFH800-01,S,700,	7PCB	AA41-00128E	PCB-3D COMB FILTER;CT-29A7DR,FR-4,2L,E,1	S.N.A
.....4	3301-001201	CORE-FERRITE;AE,21x11x32mm,1500,280G	7QD10	0501-000344	TR-SMALL SIGNAL;KSC1623-G,NPN,200mW,SOT-	
.....4	AA95-01746A	ASSY SUB-PCB 3D COMB;WT-3Z25HD,K54A,AA95	7QD11	0501-000280	TR-SMALL SIGNAL;KSA1182,PNP,150mW,SOT-23	
.....5 CON01	3711-002705	CONNECTOR-HEADER;NOWALL,7P,1R,2.5mm,ANGL	7QD12	0501-000280	TR-SMALL SIGNAL;KSA1182,PNP,150mW,SOT-23	
.....5 CON02	3711-002703	CONNECTOR-HEADER;NOWALL,5P,1R,2.5mm,ANGL	7QD13	0501-000344	TR-SMALL SIGNAL;KSC1623-G,NPN,200mW,SOT-	
.....5 XTAL01	2801-000199	CRYSTAL-UNIT;20MHz,50ppm,28-AAA,16pf,50o	7QD14	0501-000280	TR-SMALL SIGNAL;KSA1182,PNP,150mW,SOT-23	
.....5	AA63-40014A	SHIELD-CASE,T,-,SPT,E,TO.5,-,-,SCT51A	S.N.A7QD15	0501-000280	TR-SMALL SIGNAL;KSA1182,PNP,150mW,SOT-23	
.....5	AA97-07193A	ASSY AUTO-3D COMB;WT-3Z25HD,K54A,AA95-00	S.N.A7QD16	0501-000280	TR-SMALL SIGNAL;KSA1182,PNP,150mW,SOT-23	
.....6 CD10	2401-001496	C-AL;47uF,20%,16V,GP,TP,5x7,5	7QD17	0501-000344	TR-SMALL SIGNAL;KSC1623-G,NPN,200mW,SOT-	
.....6 CD12	2401-002464	C-AL;47uF,20%,16V,BP,TP,8x11.5,5	7QD18	0501-000280	TR-SMALL SIGNAL;KSA1182,PNP,150mW,SOT-23	
.....6 CD18	2401-001914	C-AL;1uF,20%,50V,BP,TP,5x11,5	7QD19	0501-000344	TR-SMALL SIGNAL;KSC1623-G,NPN,200mW,SOT-	
.....6 CD23	2401-000598	C-AL;1uF,20%,50V,GP,TP,4x7,5	7QD20	0501-000280	TR-SMALL SIGNAL;KSA1182,PNP,150mW,SOT-23	
.....6 CD24	2401-000455	C-AL;10uF,20%,35V,GP,TP,4x7mm,5mm	7QD21	0501-000344	TR-SMALL SIGNAL;KSC1623-G,NPN,200mW,SOT-	
.....6 CD40	2301-000111	C-FILM,PEF;1.8nF,5%,50V,TP,6.5x3.0x5.5mm	7QD22	0501-000280	TR-SMALL SIGNAL;KSA1182,PNP,150mW,SOT-23	
.....6 CD45	2401-000455	C-AL;10uF,20%,35V,GP,TP,4x7mm,5mm	7QD23	0501-000344	TR-SMALL SIGNAL;KSC1623-G,NPN,200mW,SOT-	
.....6 CD47	2401-000455	C-AL;10uF,20%,35V,GP,TP,4x7mm,5mm	7QD24	0501-000344	TR-SMALL SIGNAL;KSC1623-G,NPN,200mW,SOT-	
.....6 CD57	2401-001496	C-AL;47uF,20%,16V,GP,TP,5x7,5	7QD25	0501-000280	TR-SMALL SIGNAL;KSA1182,PNP,150mW,SOT-23	
.....6 CD59	2401-001496	C-AL;47uF,20%,16V,GP,TP,5x7,5	7QD26	0501-000344	TR-SMALL SIGNAL;KSC1623-G,NPN,200mW,SOT-	
.....6 CD60	2401-001496	C-AL;47uF,20%,16V,GP,TP,5x7,5	7QD27	0501-000344	TR-SMALL SIGNAL;KSC1623-G,NPN,200mW,SOT-	
.....6 CD64	2401-001496	C-AL;47uF,20%,16V,GP,TP,5x7,5	7QD28	0501-000280	TR-SMALL SIGNAL;KSA1182,PNP,150mW,SOT-23	
.....6 CD66	2401-001496	C-AL;47uF,20%,16V,GP,TP,5x7,5	7QD40	0501-000344	TR-SMALL SIGNAL;KSC1623-G,NPN,200mW,SOT-	
.....6 CD68	2401-001496	C-AL;47uF,20%,16V,GP,TP,5x7,5	7QD41	0501-000344	TR-SMALL SIGNAL;KSC1623-G,NPN,200mW,SOT-	
.....6 CD71	2401-001496	C-AL;47uF,20%,16V,GP,TP,5x7,5	7RD00	2007-000074	R-CHIP;100ohm,5%,1/16W,DA,TP,1608	
.....6 LD01	2702-001095	INDUCTOR-RADIAL;18uH,10%,6x4mm	7RD01	2007-000074	R-CHIP;100ohm,5%,1/16W,DA,TP,1608	
.....6 LD03	2702-001095	INDUCTOR-RADIAL;18uH,10%,6x4mm	7RD02	2007-000119	R-CHIP;560ohm,5%,1/16W,DA,TP,1608	
.....6 LD05	2702-001096	INDUCTOR-RADIAL;33uH,10%,6x4mm	7RD03	2007-000074	R-CHIP;100ohm,5%,1/16W,DA,TP,1608	
.....6 LD06	2702-001095	INDUCTOR-RADIAL;18uH,10%,6x4mm	7RD04	2007-000094	R-CHIP;22Kohm,5%,1/16W,DA,TP,1608	
.....6 LD07	2901-000297	FILTER-EMI ON BOARD;-,-,3.5x5,TP-	7RD05	2007-000088	R-CHIP;7.5Kohm,5%,1/16W,DA,TP,1608	
.....6	AA97-06948A	ASSY SMD-3D COMB;WT-3Z25HD,K54A,AA95-009	S.N.A7RD06	2007-000078	R-CHIP;1Kohm,5%,1/16W,DA,TP,1608	
.....7CD11	2203-000181	C-CERAMIC,CHIP;100nF,+80-20%,25V,Y5V,TP,	7RD07	2007-000078	R-CHIP;1Kohm,5%,1/16W,DA,TP,1608	
.....7CD20	2203-000181	C-CERAMIC,CHIP;100nF,+80-20%,25V,Y5V,TP,	7RD08	2007-000119	R-CHIP;560ohm,5%,1/16W,DA,TP,1608	
.....7CD21	2203-000181	C-CERAMIC,CHIP;100nF,+80-20%,25V,Y5V,TP,	7RD09	2007-000086	R-CHIP;5.6Kohm,5%,1/16W,DA,TP,1608	
.....7CD22	2203-001034	C-CERAMIC,CHIP;5.6nF,10%,50V,X7R,TP,1608	7RD10	2007-000074	R-CHIP;100ohm,5%,1/16W,DA,TP,1608	
.....7CD41	2203-000181	C-CERAMIC,CHIP;100nF,+80-20%,25V,Y5V,TP,	7RD11	2007-000074	R-CHIP;100ohm,5%,1/16W,DA,TP,1608	
.....7CD42	2203-000181	C-CERAMIC,CHIP;100nF,+80-20%,25V,Y5V,TP,	7RD12	2007-000094	R-CHIP;22Kohm,5%,1/16W,DA,TP,1608	
.....7CD43	2203-000181	C-CERAMIC,CHIP;100nF,+80-20%,25V,Y5V,TP,	7RD13	2007-000088	R-CHIP;7.5Kohm,5%,1/16W,DA,TP,1608	
.....7CD44	2203-000181	C-CERAMIC,CHIP;100nF,+80-20%,25V,Y5V,TP,	7RD14	2007-000309	R-CHIP;10ohm,5%,1/16W,DA,TP,1608	
.....7CD46	2203-000181	C-CERAMIC,CHIP;100nF,+80-20%,25V,Y5V,TP,	7RD15	2007-000078	R-CHIP;1Kohm,5%,1/16W,DA,TP,1608	
.....7CD50	2203-000181	C-CERAMIC,CHIP;100nF,+80-20%,25V,Y5V,TP,	7RD16	2007-000119	R-CHIP;560ohm,5%,1/16W,DA,TP,1608	
.....7CD51	2203-000181	C-CERAMIC,CHIP;100nF,+80-20%,25V,Y5V,TP,	7RD17	2007-000086	R-CHIP;5.6Kohm,5%,1/16W,DA,TP,1608	
.....7CD52	2203-000181	C-CERAMIC,CHIP;100nF,+80-20%,25V,Y5V,TP,	7RD18	2007-000074	R-CHIP;100ohm,5%,1/16W,DA,TP,1608	
.....7CD53	2203-000181	C-CERAMIC,CHIP;100nF,+80-20%,25V,Y5V,TP,	7RD19	2007-000119	R-CHIP;560ohm,5%,1/16W,DA,TP,1608	

Electrical Parts List

Loc. No.	Code No.	Description ; Specification	Remark	Loc. No.	Code No.	Description ; Specification	Remark
.....7RD20	2007-001093	R-CHIP;620ohm,5%,1/16W,DA,TP,1608	6 CC15	2201-000600	C-CERAMIC,DISC;0.56nF,10%,50V,Y5P,TP,5x3	
.....7RD21	2007-000075	R-CHIP;220ohm,5%,1/16W,DA,TP,1608	6 CC16	2201-000119	C-CERAMIC,DISC;100nF,+80-20%,50V,Y5V,TP	
.....7RD22	2007-000078	R-CHIP;1Kohm,5%,1/16W,DA,TP,1608	6 CC19	2201-000119	C-CERAMIC,DISC;100nF,+80-20%,50V,Y5V,TP	
.....7RD23	2007-000124	R-CHIP;2.2Kohm,5%,1/16W,DA,TP,1608	6 DC01	0401-000005	DIODE-SWITCHING;1N4148,100V,200mA,DO-35,	
.....7RD24	2007-000097	R-CHIP;47Kohm,5%,1/16W,DA,TP,1608	6 DC02	0401-000005	DIODE-SWITCHING;1N4148,100V,200mA,DO-35,	
.....7RD25	2007-000106	R-CHIP;220Kohm,5%,1/16W,DA,TP,1608	6 DC03	0401-000005	DIODE-SWITCHING;1N4148,100V,200mA,DO-35,	
.....7RD26	2007-000077	R-CHIP;470ohm,5%,1/16W,DA,TP,1608	6 LC01	2701-000115	INDUCTOR-AXIAL;10uH,10%,3x7mm	
.....7RD27	2007-000084	R-CHIP;4.7Kohm,5%,1/16W,DA,TP,1608	6 PCB	AA41-00337A	PCB-CAPTION;PCL545R,FR-1,1LA,1.6T,245X2	S.N.A
.....7RD37	2007-001093	R-CHIP;620ohm,5%,1/16W,DA,TP,1608	6 QC01	0501-000389	TR-SMALL SIGNAL;KSC815,NPN,400mW,TO-92,T	
.....7RD38	2007-000074	R-CHIP;100ohm,5%,1/16W,DA,TP,1608	6 QC02	0501-000389	TR-SMALL SIGNAL;KSC815,NPN,400mW,TO-92,T	
.....7RD39	2007-000078	R-CHIP;1Kohm,5%,1/16W,DA,TP,1608	6 RC01	2004-000433	R-METAL;1Kohm,1%,1/8W,AA,TP,1.8x3.2mm	
.....7RD40	2007-000583	R-CHIP;22Kohm,1%,1/16W,DA,TP,1608	6 RC02	2004-000433	R-METAL;1Kohm,1%,1/8W,AA,TP,1.8x3.2mm	
.....7RD41	2007-000074	R-CHIP;10Kohm,1%,1/16W,DA,TP,1608	6 RC03	2001-000429	R-CARBON;1KOHM,5%,1/8W,AA,TP,1.8X3.2MM	
.....7RD42	2007-000583	R-CHIP;22Kohm,1%,1/16W,DA,TP,1608	6 RC04	2001-000221	R-CARBON;1.2KOHM,5%,1/8W,AA,TP,1.8X3.2MM	
.....7RD43	2007-000869	R-CHIP;4.7Kohm,1%,1/16W,DA,TP,1608	6 RC05	2001-000890	R-CARBON;6.8KOHM,5%,1/8W,AA,TP,1.8X3.2MM	
.....7RD50	2007-000074	R-CHIP;100ohm,5%,1/16W,DA,TP,1608	6 RC06	2001-000006	R-CARBON;2.4KOHM,5%,1/8W,AA,TP,1.8X3.2MM	
.....7RD51	2007-000078	R-CHIP;1Kohm,5%,1/16W,DA,TP,1608	6 RC07	2001-000734	R-CARBON;4.7KOHM,5%,1/8W,AA,TP,1.8X3.2MM	
.....7RD59	2007-000102	R-CHIP;100Kohm,5%,1/16W,DA,TP,1608	6 RC08	2001-000515	R-CARBON;220OHM,5%,1/8W,AA,TP,1.8X3.2MM	
.....7RD62	2007-000309	R-CHIP;10ohm,5%,1/16W,DA,TP,1608	6 RC09	2001-000969	R-CARBON;750HM,5%,1/8W,AA,TP,1.8X3.2MM	
.....7RD63	2007-000124	R-CHIP;2.2Kohm,5%,1/16W,DA,TP,1608	6 RC10	2004-000433	R-METAL;1Kohm,1%,1/8W,AA,TP,1.8x3.2mm	
.....7RD64	2007-000078	R-CHIP;1Kohm,5%,1/16W,DA,TP,1608	6 RC11	2001-000515	R-CARBON;220OHM,5%,1/8W,AA,TP,1.8X3.2MM	
.....7RD65	2007-000078	R-CHIP;1Kohm,5%,1/16W,DA,TP,1608	6 RC12	2001-000591	R-CARBON;3.3KOHM,5%,1/8W,AA,TP,1.8X3.2MM	
.....7RD66	2007-000096	R-CHIP;30Kohm,5%,1/16W,DA,TP,1608	6 RC13	2001-000281	R-CARBON;100OHM,5%,1/8W,AA,TP,1.8X3.2MM	
.....7RD67	2007-000125	R-CHIP;3.9Kohm,5%,1/16W,DA,TP,1608	6 RC14	2001-000281	R-CARBON;100OHM,5%,1/8W,AA,TP,1.8X3.2MM	
.....7RD68	2007-000124	R-CHIP;2.2Kohm,5%,1/16W,DA,TP,1608	6 RC15	2001-000281	R-CARBON;100OHM,5%,1/8W,AA,TP,1.8X3.2MM	
.....7RD69	2007-000077	R-CHIP;470ohm,5%,1/16W,DA,TP,1608	6 RC16	2004-000218	R-METAL;10Kohm,1%,1/8W,AA,TP,1.8x3.2mm	
.....7RD70	2007-000077	R-CHIP;470ohm,5%,1/16W,DA,TP,1608	6 RC17	2001-000780	R-CARBON;470OHM,5%,1/8W,AA,TP,1.8X3.2MM	
.....7RD71	2007-000234	R-CHIP;1.3Kohm,5%,1/16W,DA,TP,1608	6 RC18	2001-000734	R-CARBON;4.7KOHM,5%,1/8W,AA,TP,1.8X3.2MM	
.....7RD72	2007-000077	R-CHIP;470ohm,5%,1/16W,DA,TP,1608	6 RC19	2001-000221	R-CARBON;1.2KOHM,5%,1/8W,AA,TP,1.8X3.2MM	
.....7RD73	2007-000074	R-CHIP;100ohm,5%,1/16W,DA,TP,1608	6 RC20	2001-000734	R-CARBON;4.7KOHM,5%,1/8W,AA,TP,1.8X3.2MM	
.....7RD74	2007-000077	R-CHIP;470ohm,5%,1/16W,DA,TP,1608	6 RC21	2001-000362	R-CARBON;150OHM,5%,1/8W,AA,TP,1.8X3.2MM	
.....7RD75	2007-000074	R-CHIP;100ohm,5%,1/16W,DA,TP,1608	6 RC22	2001-000613	R-CARBON;3.9KOHM,5%,1/8W,AA,TP,1.8X3.2MM	
.....7RD76	2007-000074	R-CHIP;100ohm,5%,1/16W,DA,TP,1608	6 RC23	2001-000006	R-CARBON;2.4KOHM,5%,1/8W,AA,TP,1.8X3.2MM	
.....7RD77	2007-000074	R-CHIP;100ohm,5%,1/16W,DA,TP,1608	6 RC24	2001-000007	R-CARBON;3KOHM,5%,1/8W,AA,TP,1.8X3.2MM	
.....7RD78	2007-000074	R-CHIP;100ohm,5%,1/16W,DA,TP,1608	6 RC25	2001-000003	R-CARBON;330ohm,5%,1/8W,AA,TP,1.8x3.2mm	
.....7RD79	2007-000074	R-CHIP;100ohm,5%,1/16W,DA,TP,1608	6 RC30	2001-000708	R-CARBON;390HM,5%,1/8W,AA,TP,1.8X3.2MM	
.....7RD82	2007-000309	R-CHIP;10ohm,5%,1/16W,DA,TP,1608	5	0202-000187	SOLDER-WIRE FLUX;-RS60S,D1.2,63Sn/37Pb	S.N.A
.....7RD83	2007-000124	R-CHIP;2.2Kohm,5%,1/16W,DA,TP,1608	4	AA95-01799R	ASSY SUB-PCB,CONV MDL,SVP-54T6SR,P54A,AA	
.....7RD84	2007-000119	R-CHIP;560ohm,5%,1/16W,DA,TP,1608	5 CN01	3703-001124	CONNECTOR-DIN;32P,2R,MALE,ANGLE,AUF	
.....7RD85	2007-000086	R-CHIP;5.6Kohm,5%,1/16W,DA,TP,1608	5 CN04	3711-003601	CONNECTOR-HEADER;BOX,12P,1R,2.5mm,ANGLE,	
.....7RD86	2007-000077	R-CHIP;470ohm,5%,1/16W,DA,TP,1608	5 L01	2701-001030	INDUCTOR-AXIAL;43uH,10%,5x14mm	
.....7RD87	2007-000077	R-CHIP;470ohm,5%,1/16W,DA,TP,1608	5	AA97-06265A	ASSY SMD-SUB;SVP-54T6SR,P54A	S.N.A
.....7RD88	2007-000211	R-CHIP;1.1Kohm,5%,1/16W,DA,TP,1608	6 C01	2402-0001042	C-AL,SMD;100uF,20%,16V,GP,TP,6.6x6.6x5.4	
.....7RD89	2007-000113	R-CHIP;33ohm,5%,1/16W,DA,TP,1608	6 C02	2203-000181	C-CERAMIC,CHIP;100nF,+80-20%,25V,Y5V,TP,	
.....7RD90	2007-000074	R-CHIP;100ohm,5%,1/16W,DA,TP,1608	6 C03	2402-0001042	C-AL,SMD;100uF,20%,16V,GP,TP,6.6x6.6x5.4	
.....7RD91	2007-000077	R-CHIP;470ohm,5%,1/16W,DA,TP,1608	6 C04	2203-000181	C-CERAMIC,CHIP;100nF,+80-20%,25V,Y5V,TP,	
.....7RD92	2007-000074	R-CHIP;100ohm,5%,1/16W,DA,TP,1608	6 C05	2203-000181	C-CERAMIC,CHIP;100nF,+80-20%,25V,Y5V,TP,	
.....7RD93	2007-000070	R-CHIP;0ohm,5%,1/16W,DA,TP,1608	6 C07	2402-0001042	C-AL,SMD;100uF,20%,16V,GP,TP,6.6x6.6x5.4	
.....7RD94	2007-000070	R-CHIP;0ohm,5%,1/16W,DA,TP,1608	6 C08	2203-000181	C-CERAMIC,CHIP;100nF,+80-20%,25V,Y5V,TP,	
.....7RD95	2007-000078	R-CHIP;1Kohm,5%,1/16W,DA,TP,1608	6 C10	2203-000181	C-CERAMIC,CHIP;100nF,+80-20%,25V,Y5V,TP,	
.....7RD96	2007-000077	R-CHIP;470ohm,5%,1/16W,DA,TP,1608	6 C11	2203-000181	C-CERAMIC,CHIP;100nF,+80-20%,25V,Y5V,TP,	
.....7RD97	2007-000077	R-CHIP;470ohm,5%,1/16W,DA,TP,1608	6 C12	2203-000181	C-CERAMIC,CHIP;100nF,+80-20%,25V,Y5V,TP,	
.....7RD98	2007-000070	R-CHIP;0ohm,5%,1/16W,DA,TP,1608	6 C13	2203-000181	C-CERAMIC,CHIP;100nF,+80-20%,25V,Y5V,TP,	
.....5	0202-000187	SOLDER-WIRE FLUX;-RS60S,D1.2,63Sn/37Pb	S.N.A6 C14	2203-000181	C-CERAMIC,CHIP;100nF,+80-20%,25V,Y5V,TP,	
.....5	0202-001167	SOLDER-CREAM;RX3603-2330HO,S45A,PASTE,SN	S.N.A6 C15	2203-000440	C-CERAMIC,CHIP;1nF,10%,50V,X7R,TP,1608,-	
.....4	AA95-01793A	ASSY SUB-PCB,CAPTION;PCL545R,P54A,AA95-0	6 C17	2402-0001042	C-AL,SMD;100uF,20%,16V,GP,TP,6.6x6.6x5.4	
.....5 BK01	AA61-10068A	BRACKET-PCB;M2160,SPT,TO.3,-,-,-,-	S.N.A6 C18	2203-000181	C-CERAMIC,CHIP;100nF,+80-20%,25V,Y5V,TP,	
.....5 CNC01	3711-002709	CONNECTOR-HEADER;NOWALL,12P,1R,2.5mm,ANG	6 C19	2402-0001049	C-AL,CHIP;10uF,20%,16V,GP,TP,3.3x3.3x5.4	
.....5 CNC02	3711-002708	CONNECTOR-HEADER;NOWALL,10P,1R,2.5mm,ANG	6 C20	2203-000181	C-CERAMIC,CHIP;100nF,+80-20%,25V,Y5V,TP,	
.....5 ICC01	1204-001718	IC-DECODER;Z86129,DIP,18P,300MIL,PLASTIC	6 C21	2203-000181	C-CERAMIC,CHIP;100nF,+80-20%,25V,Y5V,TP,	
.....5 ICC02	1001-001083	IC-VIDEO SWITCH;NJM2248D,-,DIP8P,300MIL	6 C22	2203-000181	C-CERAMIC,CHIP;100nF,+80-20%,25V,Y5V,TP,	
.....5 ICC03	1001-001083	IC-VIDEO SWITCH;NJM2248D,-,DIP8P,300MIL	6 C23	2203-000181	C-CERAMIC,CHIP;100nF,+80-20%,25V,Y5V,TP,	
.....5	AA97-05186A	ASSY AUTO-SUB;PCL545R,P54A	S.N.A6 C24	2203-000181	C-CERAMIC,CHIP;100nF,+80-20%,25V,Y5V,TP,	
.....6 CC01	2401-000603	C-AL;1uF,20%,50V,GP,TP,5x11.5	6 C25	2203-000181	C-CERAMIC,CHIP;100nF,+80-20%,25V,Y5V,TP,	
.....6 CC02	2401-002144	C-AL;47uF,20%,16V,GP,TP,5x11.5	6 C26	2203-000181	C-CERAMIC,CHIP;100nF,+80-20%,25V,Y5V,TP,	
.....6 CC03	2201-000600	C-CERAMIC,DISC;0.56nF,10%,50V,Y5P,TP,5x3	6 C27	2203-000181	C-CERAMIC,CHIP;100nF,+80-20%,25V,Y5V,TP,	
.....6 CC04	2401-000223	C-AL;100nF,20%,50V,LL,TP,5x11mm,5mm	6 C28	2203-000181	C-CERAMIC,CHIP;100nF,+80-20%,25V,Y5V,TP,	
.....6 CC05	2301-000310	C-FILM,PEF;68nF,5%,50V,TP,8.0X8.5X4.0X5	6 C29	2203-000181	C-CERAMIC,CHIP;100nF,+80-20%,25V,Y5V,TP,	
.....6 CC06	2301-000301	C-FILM,PEF;6.8nF,5%,50V,TP,6.5X5.5X3.0X5	6 C30	2203-000181	C-CERAMIC,CHIP;100nF,+80-20%,25V,Y5V,TP,	
.....6 CC07	2401-001840	C-AL;100uF,20%,16V,GP,TP,6.3x11.5	6 C31	2203-000181	C-CERAMIC,CHIP;100nF,+80-20%,25V,Y5V,TP,	
.....6 CC08	2401-002144	C-AL;47uF,20%,16V,GP,TP,5x11.5	6 C32	2203-000181	C-CERAMIC,CHIP;100nF,+80-20%,25V,Y5V,TP,	
.....6 CC09	2401-002144	C-AL;47uF,20%,16V,GP,TP,5x11.5	6 C33	2203-000181	C-CERAMIC,CHIP;100nF,+80-20%,25V,Y5V,TP,	
.....6 CC10	2305-000149	C-FILM,MPEF;100nF,5%,100V,TP,12x12.5x6.5	6 C34	2203-000181	C-CERAMIC,CHIP;100nF,+80-20%,25V,Y5V,TP,	
.....6 CC11	2401-002235	C-AL;10uF,20%,16V,GP,TP,5x11mm,5mm	6 C35	2203-000181	C-CERAMIC,CHIP;100nF,+80-20%,25V,Y5V,TP,	
.....6 CC12	2305-000149	C-FILM,MPEF;100nF,5%,100V,TP,12x12.5x6.5	6 C36	2203-000181	C-CERAMIC,CHIP;100nF,+80-20%,25V,Y5V,TP,	
.....6 CC13	2401-002619	C-AL;47uF,20%,25V,GP,TP,5x11.5	6 C40	2203-000181	C-CERAMIC,CHIP;100nF,+80-20%,25V,Y5V,TP,	
.....6 CC14	2201-000119	C-CERAMIC,DISC;100nF,+80-20%,50V,Y5V,TP,	6 C41	2203-000181	C-CERAMIC,CHIP;100nF,+80-20%,25V,Y5V,TP,	

Loc. No.	Code No.	Description ; Specification	Remark	Loc. No.	Code No.	Description ; Specification	Remark
.....6 C42	2402-001042	C-AL,SMD;100uF,20%,16V,GP,TP;6.6x6.6x5.4	6 IC08	1201-001520	IC-VIDEO AMP;EL2250CS,SOIC,8P;150MIL,DUA	
.....6 C43	2203-000181	C-CERAMIC,CHIP;100nF,+80-20%,25V,Y5V,TP	6 IC09	1001-000164	IC-ANALOG MULTIPLEX;74HC4052,CMOS,SOP,16	
.....6 C44	2203-000181	C-CERAMIC,CHIP;100nF,+80-20%,25V,Y5V,TP	6 IC10	1201-001504	IC-OP AMP;072,SOP,8P;150MIL,DUAL,-,PLAST	
.....6 C45	2402-001042	C-AL,SMD;100uF,20%,16V,GP,TP;6.6x6.6x5.4	6 IC11	1201-001504	IC-OP AMP;072,SOP,8P;150MIL,DUAL,-,PLAST	
.....6 C46	2203-000357	C-CERAMIC,CHIP;0.15nF,5%,50V,NPO,TP,1608	6 IC12	1201-001504	IC-OP AMP;072,SOP,8P;150MIL,DUAL,-,PLAST	
.....6 C47	2203-001071	C-CERAMIC,CHIP;0.056nF,5%,50V,NPO,TP,160	6 IC13	1201-001135	IC-OP AMP;324,SOP,ST,14P;150MIL,QUAD,100	
.....6 C48	2203-000041	C-CERAMIC,CHIP;0.01nF,0.25pF,50V,NPO,TP,	6 IC14	0801-002345	IC-CMOS LOGIC;7S04,INVERTER,SOT-353,5P,4	
.....6 C49	2203-000181	C-CERAMIC,CHIP;100nF,+80-20%,25V,Y5V,TP	6 IC15	0801-002345	IC-CMOS LOGIC;7S04,INVERTER,SOT-353,5P,4	
.....6 C50	2203-000357	C-CERAMIC,CHIP;0.15nF,5%,50V,NPO,TP,1608	6 IC16	0801-002345	IC-CMOS LOGIC;7S04,INVERTER,SOT-353,5P,4	
.....6 C51	2203-001071	C-CERAMIC,CHIP;0.056nF,5%,50V,NPO,TP,160	6 IC17	1209-001163	IC-PLL;TLC2932IPWLE,SOP,14P,-,PLASTIC	
.....6 C52	2203-000041	C-CERAMIC,CHIP;0.01nF,0.25pF,50V,NPO,TP,	6 OSC01	2804-001479	OSCILLATOR-CLOCK;24MHZ,100PPM,50PF,TP;5V	
.....6 C53	2203-000181	C-CERAMIC,CHIP;100nF,+80-20%,25V,Y5V,TP	6 PCB	AA41-00529A	PCB-CONVERGENCE MODULE;SVP-54T6SR,FR-4,4 S.N.A	
.....6 C54	2203-000357	C-CERAMIC,CHIP;0.15nF,5%,50V,NPO,TP,1608	6 Q01	0501-000280	TR-SMALL SIGNAL;KSA1182,PNP,150mW,SOT-23	
.....6 C55	2203-001071	C-CERAMIC,CHIP;0.056nF,5%,50V,NPO,TP,160	6 Q02	0501-000280	TR-SMALL SIGNAL;KSA1182,PNP,150mW,SOT-23	
.....6 C56	2203-000041	C-CERAMIC,CHIP;0.01nF,0.25pF,50V,NPO,TP,	6 R01	2007-000074	R-CHIP;100ohm,5%,1/16W,DA,TP,1608	
.....6 C57	2203-000181	C-CERAMIC,CHIP;100nF,+80-20%,25V,Y5V,TP	6 R02	2007-000084	R-CHIP;4.7Kohm,5%,1/16W,DA,TP,1608	
.....6 C58	2203-000181	C-CERAMIC,CHIP;100nF,+80-20%,25V,Y5V,TP	6 R03	2007-000074	R-CHIP;100ohm,5%,1/16W,DA,TP,1608	
.....6 C59	2203-000357	C-CERAMIC,CHIP;0.15nF,5%,50V,NPO,TP,1608	6 R04	2007-000078	R-CHIP;1Kohm,5%,1/16W,DA,TP,1608	
.....6 C60	2203-001071	C-CERAMIC,CHIP;0.056nF,5%,50V,NPO,TP,160	6 R10	2007-000084	R-CHIP;4.7Kohm,5%,1/16W,DA,TP,1608	
.....6 C61	2203-000041	C-CERAMIC,CHIP;0.01nF,0.25pF,50V,NPO,TP,	6 R100	2007-000072	R-CHIP;47ohm,5%,1/16W,DA,TP,1608	
.....6 C62	2203-000181	C-CERAMIC,CHIP;100nF,+80-20%,25V,Y5V,TP	6 R101	2007-000072	R-CHIP;47ohm,5%,1/16W,DA,TP,1608	
.....6 C63	2203-000357	C-CERAMIC,CHIP;0.15nF,5%,50V,NPO,TP,1608	6 R102	2007-000072	R-CHIP;47ohm,5%,1/16W,DA,TP,1608	
.....6 C64	2203-001071	C-CERAMIC,CHIP;0.056nF,5%,50V,NPO,TP,160	6 R103	2007-000072	R-CHIP;47ohm,5%,1/16W,DA,TP,1608	
.....6 C65	2203-000041	C-CERAMIC,CHIP;0.01nF,0.25pF,50V,NPO,TP,	6 R109	2007-000072	R-CHIP;47ohm,5%,1/16W,DA,TP,1608	
.....6 C66	2203-000181	C-CERAMIC,CHIP;100nF,+80-20%,25V,Y5V,TP	6 R11	2007-000078	R-CHIP;1Kohm,5%,1/16W,DA,TP,1608	
.....6 C67	2203-000357	C-CERAMIC,CHIP;0.15nF,5%,50V,NPO,TP,1608	6 R110	2007-000084	R-CHIP;4.7Kohm,5%,1/16W,DA,TP,1608	
.....6 C68	2203-001071	C-CERAMIC,CHIP;0.056nF,5%,50V,NPO,TP,160	6 R111	2007-000102	R-CHIP;100Kohm,5%,1/16W,DA,TP,1608	
.....6 C69	2203-000041	C-CERAMIC,CHIP;0.01nF,0.25pF,50V,NPO,TP,	6 R117	2007-000070	R-CHIP;0ohm,5%,1/16W,DA,TP,1608	
.....6 C70	2203-001083	C-CERAMIC,CHIP;0.005nF,0.1pF,50V,NPO,TP,	6 R118	2007-000123	R-CHIP;1.5Kohm,5%,1/16W,DA,TP,1608	
.....6 C71	2203-001083	C-CERAMIC,CHIP;0.005nF,0.1pF,50V,NPO,TP,	6 R119	2007-000355	R-CHIP;12KOHM,5%,1/10W,DA,TP,2012	
.....6 C72	2203-001083	C-CERAMIC,CHIP;0.005nF,0.1pF,50V,NPO,TP,	6 R12	2007-000084	R-CHIP;4.7Kohm,5%,1/16W,DA,TP,1608	
.....6 C73	2203-001083	C-CERAMIC,CHIP;0.005nF,0.1pF,50V,NPO,TP,	6 R120	2007-000856	R-CHIP;4.3KOHM,1%,1/10W,DA,TP,2012	
.....6 C74	2402-001042	C-AL,SMD;100uF,20%,16V,GP,TP;6.6x6.6x5.4	6 R121	2007-000109	R-CHIP;1Kohm,5%,1/16W,DA,TP,1608	
.....6 C75	2203-000181	C-CERAMIC,CHIP;100nF,+80-20%,25V,Y5V,TP	6 R122	2007-000078	R-CHIP;1Kohm,5%,1/16W,DA,TP,1608	
.....6 C76	2203-001034	C-CERAMIC,CHIP;5.6nF,10%,50V,X7R,TP,1608	6 R123	2007-000078	R-CHIP;1Kohm,5%,1/16W,DA,TP,1608	
.....6 C77	2203-000257	C-CERAMIC,CHIP;10nF,10%,50V,X7R,TP,1608	6 R124	2007-000078	R-CHIP;1Kohm,5%,1/16W,DA,TP,1608	
.....6 C78	2203-000181	C-CERAMIC,CHIP;100nF,+80-20%,25V,Y5V,TP	6 R125	2007-000078	R-CHIP;1Kohm,5%,1/16W,DA,TP,1608	
.....6 C79	2203-000181	C-CERAMIC,CHIP;100nF,+80-20%,25V,Y5V,TP	6 R126	2007-000078	R-CHIP;1Kohm,5%,1/16W,DA,TP,1608	
.....6 C80	2203-000181	C-CERAMIC,CHIP;100nF,+80-20%,25V,Y5V,TP	6 R127	2007-000078	R-CHIP;1Kohm,5%,1/16W,DA,TP,1608	
.....6 C81	2203-000181	C-CERAMIC,CHIP;100nF,+80-20%,25V,Y5V,TP	6 R13	2007-000084	R-CHIP;4.7Kohm,5%,1/16W,DA,TP,1608	
.....6 C82	2203-000181	C-CERAMIC,CHIP;100nF,+80-20%,25V,Y5V,TP	6 R134	2007-000070	R-CHIP;0ohm,5%,1/16W,DA,TP,1608	
.....6 C83	2203-000181	C-CERAMIC,CHIP;100nF,+80-20%,25V,Y5V,TP	6 R14	2007-000074	R-CHIP;100ohm,5%,1/16W,DA,TP,1608	
.....6 C84	2203-000181	C-CERAMIC,CHIP;100nF,+80-20%,25V,Y5V,TP	6 R15	2007-000074	R-CHIP;100ohm,5%,1/16W,DA,TP,1608	
.....6 C86	2203-000181	C-CERAMIC,CHIP;100nF,+80-20%,25V,Y5V,TP	6 R16	2007-000074	R-CHIP;100ohm,5%,1/16W,DA,TP,1608	
.....6 C87	2203-000181	C-CERAMIC,CHIP;100nF,+80-20%,25V,Y5V,TP	6 R17	2007-000122	R-CHIP;1.2Kohm,5%,1/16W,DA,TP,1608	
.....6 C88	2203-001245	C-CERAMIC,CHIP;0.082nF,5%,50V,NPO,TP,201	6 R18	2007-000381	R-CHIP;13Kohm,5%,1/16W,DA,TP,1608	
.....6 C89	2203-000181	C-CERAMIC,CHIP;100nF,+80-20%,25V,Y5V,TP	6 R19	2007-001056	R-CHIP;6.2Kohm,5%,1/16W,DA,TP,1608	
.....6 C90	2203-000575	C-CERAMIC,CHIP;220nF,10%,25V,X7R,TP,2012	6 R20	2007-000080	R-CHIP;2Kohm,5%,1/16W,DA,TP,1608	
.....6 C91	2203-000975	C-CERAMIC,CHIP;47nF,10%,25V,X7R,TP,1608,	6 R21	2007-000078	R-CHIP;1Kohm,5%,1/16W,DA,TP,1608	
.....6 C92	2203-000257	C-CERAMIC,CHIP;10nF,10%,50V,X7R,TP,1608	6 R22	2007-001167	R-CHIP;75ohm,5%,1/16W,DA,TP,1608	
.....6 C93	2402-001042	C-AL,SMD;100uF,20%,16V,GP,TP;6.6x6.6x5.4	6 R23	2007-000078	R-CHIP;1Kohm,5%,1/16W,DA,TP,1608	
.....6 D01	0401-000160	DIODE-SWITCHING;ISS314,30V,100mA,USC,TP	6 R28	2007-001163	R-CHIP;75OHM,1%,1/10W,DA,TP,2012	
.....6 D02	0401-000160	DIODE-SWITCHING;ISS314,30V,100mA,USC,TP	6 R29	2007-001163	R-CHIP;75OHM,1%,1/10W,DA,TP,2012	
.....6 D03	0401-000160	DIODE-SWITCHING;ISS314,30V,100mA,USC,TP	6 R30	2007-000122	R-CHIP;1.2Kohm,5%,1/16W,DA,TP,1608	
.....6 D04	0401-000160	DIODE-SWITCHING;ISS314,30V,100mA,USC,TP	6 R32	2007-000122	R-CHIP;1.2Kohm,5%,1/16W,DA,TP,1608	
.....6 D05	0401-000160	DIODE-SWITCHING;ISS314,30V,100mA,USC,TP	6 R33	2007-000028	R-CHIP;390OHM,5%,1/10W,DA,TP,2012	
.....6 DZ01	0403-001016	DIODE-ZENER;RLZ6.2B,6.2V,5.96-6.27V,400m	6 R34	2007-000028	R-CHIP;390OHM,5%,1/10W,DA,TP,2012	
.....6 DZ02	0403-001016	DIODE-ZENER;RLZ6.2B,6.2V,5.96-6.27V,400m	6 R37	2007-000078	R-CHIP;1Kohm,5%,1/16W,DA,TP,1608	
.....6 DZ03	0403-001016	DIODE-ZENER;RLZ6.2B,6.2V,5.96-6.27V,400m	6 R38	2007-000078	R-CHIP;1Kohm,5%,1/16W,DA,TP,1608	
.....6 DZ04	0403-001016	DIODE-ZENER;RLZ6.2B,6.2V,5.96-6.27V,400m	6 R39	2007-000078	R-CHIP;1Kohm,5%,1/16W,DA,TP,1608	
.....6 EF01	2901-000229	FILTER-EMI SMD;50V,0.3A,-,22000pF,4.5x3.	6 R40	2007-000078	R-CHIP;1Kohm,5%,1/16W,DA,TP,1608	
.....6 EF02	2901-000229	FILTER-EMI SMD;50V,0.3A,-,22000pF,4.5x3.	6 R41	2007-000078	R-CHIP;1Kohm,5%,1/16W,DA,TP,1608	
.....6 EF03	2007-000029	R-CHIP;00HM,5%,1/10W,DA,TP,2012	6 R42	2007-000078	R-CHIP;1Kohm,5%,1/16W,DA,TP,1608	
.....6 EF04	3301-001324	CORE-FERRITE BEAD;AB,150HM,2X1.25X0.9MM,	6 R43	2007-000078	R-CHIP;1Kohm,5%,1/16W,DA,TP,1608	
.....6 EF05	3301-001324	CORE-FERRITE BEAD;AB,150HM,2X1.25X0.9MM,	6 R44	2007-000078	R-CHIP;1Kohm,5%,1/16W,DA,TP,1608	
.....6 EF06	2901-000226	FILTER-EMI SMD;25V,0.3A,-,100pF,3.2x1.25	6 R45	2007-000074	R-CHIP;100ohm,5%,1/16W,DA,TP,1608	
.....6 EF07	3301-001324	CORE-FERRITE BEAD;AB,150HM,2X1.25X0.9MM,	6 R46	2007-000084	R-CHIP;4.7Kohm,5%,1/16W,DA,TP,1608	
.....6 EF08	3301-001324	CORE-FERRITE BEAD;AB,150HM,2X1.25X0.9MM,	6 R47	2007-000084	R-CHIP;4.7Kohm,5%,1/16W,DA,TP,1608	
.....6 EF09	3301-001324	CORE-FERRITE BEAD;AB,150HM,2X1.25X0.9MM,	6 R48	2007-000078	R-CHIP;1Kohm,5%,1/16W,DA,TP,1608	
.....6 EF10	3301-001324	CORE-FERRITE BEAD;AB,150HM,2X1.25X0.9MM,	6 R49	2007-000080	R-CHIP;2Kohm,5%,1/16W,DA,TP,1608	
.....6 EF13	2901-000226	FILTER-EMI SMD;25V,0.3A,-,100pF,3.2x1.25	6 R50	2007-000074	R-CHIP;100ohm,5%,1/16W,DA,TP,1608	
.....6 EF14	2007-000029	R-CHIP;00HM,5%,1/10W,DA,TP,2012	6 R51	2007-000084	R-CHIP;4.7Kohm,5%,1/16W,DA,TP,1608	
.....6 IC01	AA13-00104A	IC ASIC;SDC11,SVP-54T6SR,208P,0.3VTO3.8	6 R52	2007-000084	R-CHIP;4.7Kohm,5%,1/16W,DA,TP,1608	
.....6 IC02	1203-002302	IC-POS.FIXED REG.;78RM33D,D-PAK,3P,-,PL	6 R53	2007-000078	R-CHIP;1Kohm,5%,1/16W,DA,TP,1608	
.....6 IC04	1203-001824	IC-VOL. DETECTOR;7042,SOT-89,3P,-,PLASTI	6 R54	2007-000080	R-CHIP;2Kohm,5%,1/16W,DA,TP,1608	
.....6 IC05	1103-000180	IC-EEPROM;24C16,2Kx8Bit,SOP,8P;150MIL,10	6 R55	2007-000074	R-CHIP;100ohm,5%,1/16W,DA,TP,1608	
.....6 IC06	AA09-00032A	IC MICOM;TSC87251G2D-OTP,4.5 TO 5.5V,-,	6 R56	2007-000084	R-CHIP;4.7Kohm,5%,1/16W,DA,TP,1608	

Electrical Parts List

Loc. No.	Code No.	Description ; Specification	Remark	Loc. No.	Code No.	Description ; Specification	Remark
.....6 R57	2007-000084	R-CHIP;4.7Kohm,5%,1/16W,DA,TP,1608	6 L910	2901-000297	FILTER-EMI ON BOARD;-3A,-,3.5x5,TP-	
.....6 R58	2007-000078	R-CHIP;1Kohm,5%,1/16W,DA,TP,1608	6 L911	2901-000297	FILTER-EMI ON BOARD;-3A,-,3.5x5,TP-	
.....6 R59	2007-000080	R-CHIP;2Kohm,5%,1/16W,DA,TP,1608	6 L912	2901-000297	FILTER-EMI ON BOARD;-3A,-,3.5x5,TP-	
.....6 R60	2007-000074	R-CHIP;100ohm,5%,1/16W,DA,TP,1608	6 L913	2702-001094	INDUCTOR-RADIAL;10uH,10%,6x4mm	
.....6 R61	2007-000084	R-CHIP;4.7Kohm,5%,1/16W,DA,TP,1608	6 Q901	0501-000389	TR-SMALL SIGNAL;KSC815,NPN,400mW,TO-92,T	
.....6 R62	2007-000084	R-CHIP;4.7Kohm,5%,1/16W,DA,TP,1608	6 Q902	0501-000389	TR-SMALL SIGNAL;KSC815,NPN,400mW,TO-92,T	
.....6 R63	2007-000078	R-CHIP;1Kohm,5%,1/16W,DA,TP,1608	6 Q903	0501-000389	TR-SMALL SIGNAL;KSC815,NPN,400mW,TO-92,T	
.....6 R64	2007-000080	R-CHIP;2Kohm,5%,1/16W,DA,TP,1608	6 Q909	0501-000283	TR-SMALL SIGNAL;KSA539,PNP,400mW,TO-92,T	
.....6 R65	2007-000074	R-CHIP;100ohm,5%,1/16W,DA,TP,1608	6 Q910	0501-000389	TR-SMALL SIGNAL;KSC815,NPN,400mW,TO-92,T	
.....6 R66	2007-000084	R-CHIP;4.7Kohm,5%,1/16W,DA,TP,1608	6 Q911	0501-000389	TR-SMALL SIGNAL;KSC815,NPN,400mW,TO-92,T	
.....6 R67	2007-000084	R-CHIP;4.7Kohm,5%,1/16W,DA,TP,1608	6	AA97-06149A	ASSY SMD-SUB;PCL545R,P54A	S.N.A
.....6 R68	2007-000078	R-CHIP;1Kohm,5%,1/16W,DA,TP,1608	7C902	2203-000181	C-CERAMIC,CHIP;100nF,+80-20%,25V,Y5V,TP,	
.....6 R69	2007-000080	R-CHIP;2Kohm,5%,1/16W,DA,TP,1608	7C903	2203-000595	C-CERAMIC,CHIP;0.22nF,5%,50V,NP0,TP,2012	
.....6 R70	2007-000074	R-CHIP;100ohm,5%,1/16W,DA,TP,1608	7C921	2203-000595	C-CERAMIC,CHIP;0.22nF,5%,50V,NP0,TP,2012	
.....6 R71	2007-000084	R-CHIP;4.7Kohm,5%,1/16W,DA,TP,1608	7D901	0401-000133	DIODE-SWITCHING;RLS4148,100V,200MA,SOD-8	
.....6 R72	2007-000084	R-CHIP;4.7Kohm,5%,1/16W,DA,TP,1608	7D902	0401-000133	DIODE-SWITCHING;RLS4148,100V,200MA,SOD-8	
.....6 R73	2007-000078	R-CHIP;1Kohm,5%,1/16W,DA,TP,1608	7D903	0401-000133	DIODE-SWITCHING;RLS4148,100V,200MA,SOD-8	
.....6 R74	2007-000080	R-CHIP;2Kohm,5%,1/16W,DA,TP,1608	7D904	0401-000133	DIODE-SWITCHING;RLS4148,100V,200MA,SOD-8	
.....6 R75	2007-000074	R-CHIP;100ohm,5%,1/16W,DA,TP,1608	7D905	0401-000133	DIODE-SWITCHING;RLS4148,100V,200MA,SOD-8	
.....6 R77	2007-000090	R-CHIP;10KOHM,5%,1/16W,DA,TP,1608	7DZ903	0403-001016	DIODE-ZENER;RLZ6.2B,6.2V,5.96-6.27V,400m	
.....6 R78	2007-000090	R-CHIP;10KOHM,5%,1/16W,DA,TP,1608	7DZ904	0403-001016	DIODE-ZENER;RLZ6.2B,6.2V,5.96-6.27V,400m	
.....6 R79	2007-000090	R-CHIP;10KOHM,5%,1/16W,DA,TP,1608	7DZ905	0403-001016	DIODE-ZENER;RLZ6.2B,6.2V,5.96-6.27V,400m	
.....6 R80	2007-000090	R-CHIP;10KOHM,5%,1/16W,DA,TP,1608	7DZ911	0403-000620	DIODE-ZENER;RLZ5.6B,5.6,500mW,LL-34,TP	
.....6 R81	2007-000757	R-CHIP;330KOHM,5%,1/10W,DA,TP,2012	7DZ912	0403-000620	DIODE-ZENER;RLZ5.6B,5.6,500mW,LL-34,TP	
.....6 R82	2007-000757	R-CHIP;330KOHM,5%,1/10W,DA,TP,2012	7DZ913	0403-000620	DIODE-ZENER;RLZ5.6B,5.6,500mW,LL-34,TP	
.....6 R83	2007-000757	R-CHIP;330KOHM,5%,1/10W,DA,TP,2012	7DZ916	0403-001016	DIODE-ZENER;RLZ6.2B,6.2V,5.96-6.27V,400m	
.....6 R84	2007-000757	R-CHIP;330KOHM,5%,1/10W,DA,TP,2012	7DZ917	0403-001016	DIODE-ZENER;RLZ6.2B,6.2V,5.96-6.27V,400m	
.....6 R85	2007-000074	R-CHIP;100ohm,5%,1/16W,DA,TP,1608	7DZ918	0403-001016	DIODE-ZENER;RLZ6.2B,6.2V,5.96-6.27V,400m	
.....6 R86	2007-000074	R-CHIP;100ohm,5%,1/16W,DA,TP,1608	7PCB	AA41-00338B	PCB-MICOM;PCL545R,FR-4,2L,B,1.6T,180X245	S.N.A
.....6 R87	2007-000704	R-CHIP;3.6Kohm,5%,1/16W,DA,TP,1608	7R901	2007-000084	R-CHIP;4.7Kohm,5%,1/16W,DA,TP,1608	
.....6 R88	2007-000078	R-CHIP;1Kohm,5%,1/16W,DA,TP,1608	7R902	2007-000097	R-CHIP;4.7Kohm,5%,1/16W,DA,TP,1608	
.....6 R89	2007-000090	R-CHIP;10KOHM,5%,1/16W,DA,TP,1608	7R903	2007-000078	R-CHIP;1Kohm,5%,1/16W,DA,TP,1608	
.....6 R90	2007-000090	R-CHIP;10KOHM,5%,1/16W,DA,TP,1608	7R904	2007-000090	R-CHIP;10KOHM,5%,1/16W,DA,TP,1608	
.....6 R91	2007-000090	R-CHIP;10KOHM,5%,1/16W,DA,TP,1608	7R905	2007-000084	R-CHIP;4.7Kohm,5%,1/16W,DA,TP,1608	
.....6 R92	2007-000125	R-CHIP;3.9Kohm,5%,1/16W,DA,TP,1608	7R907	2007-000078	R-CHIP;1Kohm,5%,1/16W,DA,TP,1608	
.....6 R93	2007-000084	R-CHIP;4.7Kohm,5%,1/16W,DA,TP,1608	7R908	2007-000078	R-CHIP;1Kohm,5%,1/16W,DA,TP,1608	
.....6 R94	2007-000084	R-CHIP;4.7Kohm,5%,1/16W,DA,TP,1608	7R911	2007-000090	R-CHIP;10KOHM,5%,1/16W,DA,TP,1608	
.....6 R95	2007-000072	R-CHIP;47ohm,5%,1/16W,DA,TP,1608	7R912	2007-000076	R-CHIP;330ohm,5%,1/16W,DA,TP,1608	
.....6 RN01	2011-000585	R-NETWORK;47ohm,5%,63mW,L,CHIP,8P,TP	7R913	2007-000077	R-CHIP;47Kohm,5%,1/16W,DA,TP,1608	
.....6 RN02	2011-000585	R-NETWORK;47ohm,5%,63mW,L,CHIP,8P,TP	7R914	2007-000074	R-CHIP;100ohm,5%,1/16W,DA,TP,1608	
.....6 RN03	2011-000585	R-NETWORK;47ohm,5%,63mW,L,CHIP,8P,TP	7R915	2007-000074	R-CHIP;100ohm,5%,1/16W,DA,TP,1608	
.....6 RN04	2011-000585	R-NETWORK;47ohm,5%,63mW,L,CHIP,8P,TP	7R916	2007-000081	R-CHIP;2.7Kohm,5%,1/16W,DA,TP,1608	
.....6 RN05	2011-000585	R-NETWORK;47ohm,5%,63mW,L,CHIP,8P,TP	7R917	2007-000081	R-CHIP;2.7Kohm,5%,1/16W,DA,TP,1608	
.....6 RN08	2011-000585	R-NETWORK;47ohm,5%,63mW,L,CHIP,8P,TP	7R918	2007-000869	R-CHIP;4.7Kohm,1%,1/16W,DA,TP,1608	
.....4	AA95-01824C	ASSY SUB-PCB,MICOM;PCL545R,P54A,AA95-007	7R919	2007-000458	R-CHIP;18Kohm,5%,1/16W,DA,TP,1608	
.....5 CN901	3703-001175	CONNECTOR-DIN;64P,2R,MALE,ANGLE,AU	7R920	2007-000077	R-CHIP;4.7Kohm,5%,1/16W,DA,TP,1608	
.....5 IC901	AA09-00260A	IC MICOM;SZM-422A2,52P,5V,12MHZ,W3-PRO	7R921	2007-000087	R-CHIP;6.8Kohm,5%,1/16W,DA,TP,1608	
.....5 IC902	1103-001213	IC-EEPROM;M24C16-WB6,2048x8Bit,SDIP,8P,	7R922	2007-000087	R-CHIP;6.8Kohm,5%,1/16W,DA,TP,1608	
.....5 L903	2701-001032	INDUCTOR-AXIAL;100uH,10%,5x14mm	7R923	2007-000074	R-CHIP;100ohm,5%,1/16W,DA,TP,1608	
.....5 X901	2801-003224	CRYSTAL-UNIT;32.768KHz,20ppm,28-AA,Y,12.5	7R924	2007-000074	R-CHIP;100ohm,5%,1/16W,DA,TP,1608	
.....5	AA97-05187A	ASSY AUTO-SUB;PCL545R,P54A	S.N.A7R925	2007-000123	R-CHIP;1.5Kohm,5%,1/16W,DA,TP,1608	
.....6 C901	2201-000292	C-CERAMIC,DISC;1nF,10%,50V,Y5P,TP,5x3.5,	7R926	2007-000123	R-CHIP;1.5Kohm,5%,1/16W,DA,TP,1608	
.....6 C904	2201-000119	C-CERAMIC,DISC;100nF,+80-20%,50V,Y5V,TP,	7R927	2007-000123	R-CHIP;1.5Kohm,5%,1/16W,DA,TP,1608	
.....6 C905	2401-001496	C-AL;47uF,20%,16V,GP,TP,5x7.5	7R928	2007-000081	R-CHIP;2.7Kohm,5%,1/16W,DA,TP,1608	
.....6 C906	2201-000119	C-CERAMIC,DISC;100nF,+80-20%,50V,Y5V,TP,	7R929	2007-000123	R-CHIP;1.5Kohm,5%,1/16W,DA,TP,1608	
.....6 C907	2301-000111	C-FILM,PEF;1.8nF,5%,50V,TP,6.5x3.0x5.5mm	7R930	2007-000084	R-CHIP;4.7Kohm,5%,1/16W,DA,TP,1608	
.....6 C908	2201-000292	C-CERAMIC,DISC;1nF,10%,50V,Y5P,TP,5x3.5,	7R931	2007-000084	R-CHIP;4.7Kohm,5%,1/16W,DA,TP,1608	
.....6 C909	2201-000292	C-CERAMIC,DISC;1nF,10%,50V,Y5P,TP,5x3.5,	7R932	2007-000084	R-CHIP;4.7Kohm,5%,1/16W,DA,TP,1608	
.....6 C910	2201-000292	C-CERAMIC,DISC;1nF,10%,50V,Y5P,TP,5x3.5,	7R934	2007-000074	R-CHIP;100ohm,5%,1/16W,DA,TP,1608	
.....6 C911	2306-000122	C-FILM,MPPF;100nF,5%,50V,TP,7.3x4.0x5.0m	7R935	2007-000074	R-CHIP;100ohm,5%,1/16W,DA,TP,1608	
.....6 C912	2201-000119	C-CERAMIC,DISC;100nF,+80-20%,50V,Y5V,TP,	7R936	2007-000074	R-CHIP;100ohm,5%,1/16W,DA,TP,1608	
.....6 C913	2201-000193	C-CERAMIC,DISC;0.01nF,0.25pF,50V,NP0,TP,	7R937	2007-000078	R-CHIP;1Kohm,5%,1/16W,DA,TP,1608	
.....6 C914	2201-000578	C-CERAMIC,DISC;0.047nF,5%,50V,UJ,TP,5x3,	7R945	2007-001093	R-CHIP;620ohm,5%,1/16W,DA,TP,1608	
.....6 C915	2201-000119	C-CERAMIC,DISC;100nF,+80-20%,50V,Y5V,TP,	7R946	2007-000090	R-CHIP;10KOHM,5%,1/16W,DA,TP,1608	
.....6 C916	2401-002183	C-AL;220uF,20%,16V,GP,TP,8x9.5mm	7R947	2007-000090	R-CHIP;10KOHM,5%,1/16W,DA,TP,1608	
.....6 C917	2401-001496	C-AL;47uF,20%,16V,GP,TP,5x7.5	7R948	2007-000078	R-CHIP;1Kohm,5%,1/16W,DA,TP,1608	
.....6 C918	2201-000119	C-CERAMIC,DISC;100nF,+80-20%,50V,Y5V,TP,	7R949	2007-000082	R-CHIP;3.3Kohm,5%,1/16W,DA,TP,1608	
.....6 C919	2401-000486	C-AL;10uF,20%,50V,GP,TP,6.3x7mm,5	7R950	2007-000078	R-CHIP;1Kohm,5%,1/16W,DA,TP,1608	
.....6 C920	2201-000119	C-CERAMIC,DISC;100nF,+80-20%,50V,Y5V,TP,	7R951	2007-000082	R-CHIP;3.3Kohm,5%,1/16W,DA,TP,1608	
.....6 C925	2201-000119	C-CERAMIC,DISC;100nF,+80-20%,50V,Y5V,TP,	7R958	2007-000074	R-CHIP;100ohm,5%,1/16W,DA,TP,1608	
.....6 C926	2401-000486	C-AL;10uF,20%,50V,GP,TP,6.3x7mm,5	7R959	2007-000074	R-CHIP;100ohm,5%,1/16W,DA,TP,1608	
.....6 C927	2201-000578	C-CERAMIC,DISC;0.047nF,5%,50V,UJ,TP,5x3,	7R960	2007-000074	R-CHIP;100ohm,5%,1/16W,DA,TP,1608	
.....6 C928	2201-000578	C-CERAMIC,DISC;0.047nF,5%,50V,UJ,TP,5x3,	7R961	2007-000084	R-CHIP;4.7Kohm,5%,1/16W,DA,TP,1608	
.....6 F901	2901-000297	FILTER-EMI ON BOARD;-3A,-,3.5x5,TP-	7R962	2007-000098	R-CHIP;56Kohm,5%,1/16W,DA,TP,1608	
.....6 IC903	1203-001274	IC-VOL. DETECTOR;7545,TO-92,3P,-,PLASTIC	7R963	2007-000082	R-CHIP;3.3Kohm,5%,1/16W,DA,TP,1608	
.....6 IC904	1203-000515	IC-VOL. DETECTOR;7042,TO-92,3P,177MIL,PL	7R964	2007-000084	R-CHIP;4.7Kohm,5%,1/16W,DA,TP,1608	
.....6 L902	2702-001094	INDUCTOR-RADIAL;10uH,10%,6x4mm	7R965	2007-000084	R-CHIP;4.7Kohm,5%,1/16W,DA,TP,1608	

Loc. No.	Code No.	Description ; Specification	Remark	Loc. No.	Code No.	Description ; Specification	Remark
.....	7R967	2007-000078 R-CHIP;1Kohm,5%,1/16W,DA,TP,1608		C852	2401-000133 C-AL;1000uF,20%,16V,GP,TP,10x20,5	
.....	7R968	2007-000078 R-CHIP;1Kohm,5%,1/16W,DA,TP,1608		C853	2401-000603 C-AL;1uF,20%,50V,GP,TP,5x11,5	
.....	7R969	2007-000084 R-CHIP;4.7Kohm,5%,1/16W,DA,TP,1608		C854	2201-000551 C-CERAMIC,DISC;0.47nF,10%,1kV,Y5P,TP,6.3	
.....	7R971	2007-000086 R-CHIP;5.6Kohm,5%,1/16W,DA,TP,1608		C855	2401-000703 C-AL;2200uF,20%,25V,GP,-,12.5x25mm,	
.....	7R972	2007-000070 R-CHIP;0ohm,5%,1/16W,DA,TP,1608		C861	2201-000551 C-CERAMIC,DISC;0.47nF,10%,1kV,Y5P,TP,6.3	
.....	7R973	2007-000084 R-CHIP;4.7Kohm,5%,1/16W,DA,TP,1608		C864	2201-000551 C-CERAMIC,DISC;0.47nF,10%,1kV,Y5P,TP,6.3	
.....	7R974	2007-000078 R-CHIP;1Kohm,5%,1/16W,DA,TP,1608		C871	2201-000551 C-CERAMIC,DISC;0.47nF,10%,1kV,Y5P,TP,6.3	
.....	7R976	2007-000078 R-CHIP;1Kohm,5%,1/16W,DA,TP,1608		C872	2401-000703 C-AL;2200uF,20%,25V,GP,-,12.5x25mm,	
.....	7R977	2007-000305 R-CHIP;10Mohm,5%,1/16W,DA,TP,1608		C874	2201-000551 C-CERAMIC,DISC;0.47nF,10%,1kV,Y5P,TP,6.3	
.....	7R978	2007-000090 R-CHIP;10KOHM,5%,1/16W,DA,TP,1608		C877	2305-000427 C-FILM,MPEF;47nF,5%,100V,TP,7.5x12.5x3.5	
.....	7R981	2007-000122 R-CHIP;1.2Kohm,5%,1/16W,DA,TP,1608		△	D834	0402-000546 DIODE-RECTIFIER;TVR10G,400V,1.0A,DO-41,T	
.....	7R982	2007-000122 R-CHIP;1.2Kohm,5%,1/16W,DA,TP,1608		△	D843	0402-000546 DIODE-RECTIFIER;TVR10G,400V,1.0A,DO-41,T	
.....	7R983	2007-000122 R-CHIP;1.2Kohm,5%,1/16W,DA,TP,1608		△	D851	0402-000493 DIODE-RECTIFIER;1R5GU41,400V,1.5A,DO-15L	
.....	5	0202-000187 SOLDER-WIRE FLUX;-RS60S,D1.2,63Sn/37Pb	S.N.A	△	D853	0402-000132 DIODE-RECTIFIER;1N4004,400V,1A,DO-41,TP	
.....	5	0202-001167 SOLDER-CREAM;RX3603-2330HO,S45A,PASTE,SN	S.N.A	△	DZ858	0403-001325 DIODE-ZENER;MTZ115C,14.35-15.09V,500mW,D	
...	3	AA94-07576A ASSY PCB POWER;PCL545R,P54A,53		ELO1	AA60-40011B EYELET;ID2.2,OD3.2,BSP	S.N.A
...4	C812	2401-000701 C-AL;2200uF,20%,250V,GP,-,35x70mm,1		ELO2	AA60-40011B EYELET;ID2.2,OD3.2,BSP	S.N.A
...4	C813	2401-000701 C-AL;2200uF,20%,250V,GP,-,35x70mm,1		ELO3	AA60-40011B EYELET;ID2.2,OD3.2,BSP	S.N.A
...4	C831	2306-000323 C-FILM,MPPF;2.2nF,5%,1.6KV,TP,28.5x15.5x		ELO4	AA60-40011B EYELET;ID2.2,OD3.2,BSP	S.N.A
...4	C862	2401-003076 C-AL;3300uF,20%,50V,WP,BK,18x35.5mm		ELO5	AA60-40011B EYELET;ID2.2,OD3.2,BSP	S.N.A
...4	C865	2401-000737 C-AL;2200uF,20%,50V,GP,TP,18x35.5,7		ELO6	AA60-40011B EYELET;ID2.2,OD3.2,BSP	S.N.A
...4	C868	2401-000737 C-AL;2200uF,20%,50V,GP,TP,18x35.5,7		EL09	AA60-40011B EYELET;ID2.2,OD3.2,BSP	S.N.A
...4	C875	2401-002251 C-AL;470uF,20%,200V,GP,BK,25x40mm,1		EL10	AA60-40011B EYELET;ID2.2,OD3.2,BSP	S.N.A
...4	CN802	AA39-00116A LEAD CONNECTOR-ASSY,-;12P,YBNH250-12,3515		EL15	AA60-40011B EYELET;ID2.2,OD3.2,BSP	S.N.A
...4	CN803	AA39-00116A LEAD CONNECTOR-ASSY,-;12P,YBNH250-12,3515		EL18	AA60-40011B EYELET;ID2.2,OD3.2,BSP	S.N.A
△	CX801S	2306-000112 C-FILM,MPPF;100nF,20%,250V,BK,-,15mm		EL22	AA60-40011B EYELET;ID2.2,OD3.2,BSP	S.N.A
△	CX802S	2306-000112 C-FILM,MPPF;100nF,20%,250V,BK,-,15mm		EL25	AA60-40011B EYELET;ID2.2,OD3.2,BSP	S.N.A
△	CY801S	2201-000987 C-CERAMIC,DISC;2.2nF,20%,400V,Y5U,TP,12		EY01	AA60-40011A EYELET;ID2.0,OD2.8,BST	S.N.A
△	CY802S	2201-000987 C-CERAMIC,DISC;2.2nF,20%,400V,Y5U,TP,12		EY05	AA60-40011A EYELET;ID2.0,OD2.8,BST	S.N.A
△	D801S	AA96-50310A ASSY H/S;-;POWER,AA62-30150C,RBV606,-	S.N.A	EY06	AA60-40011A EYELET;ID2.0,OD2.8,BST	S.N.A
.....	5	AA62-30150C HEAT SINK-ES;-A6063 EXTR,-,WHT,40(24.5)	S.N.A	EY100	AA60-40011A EYELET;ID2.0,OD2.8,BST	S.N.A
.....	5	AA60-30003A WASHER;T1.5,SBHG-1	S.N.A	EY101	AA60-40011A EYELET;ID2.0,OD2.8,BST	S.N.A
.....	5	6003-000333 SCREW-TAPTITE;RH,+2S,M3,L10,ZPC(YEL),SW	S.N.A	EY104	AA60-40011A EYELET;ID2.0,OD2.8,BST	S.N.A
.....	5	0402-000549 DIODE-BRIDGE;RBV606,600V,6A,-,BK		EY107	AA60-40011A EYELET;ID2.0,OD2.8,BST	S.N.A
.....	5	0205-000129 GREASE-SILICON;SC102,JAPAN	S.N.A	EY108	AA60-40011A EYELET;ID2.0,OD2.8,BST	S.N.A
△	D810	0402-000250 DIODE-RECTIFIER;RG4C,1000V,1A,-		EY109	AA60-40011A EYELET;ID2.0,OD2.8,BST	S.N.A
△	D854	AA96-50153C ASSY H/S;-;AA62-30013D,FLM-G12S,-	S.N.A	EY110	AA60-40011A EYELET;ID2.0,OD2.8,BST	S.N.A
.....	5	0402-000233 DIODE-RECTIFIER;FML-G12S,200V,5A,-		EY111	AA60-40011A EYELET;ID2.0,OD2.8,BST	S.N.A
.....	5	6003-000333 SCREW-TAPTITE;RH,+2S,M3,L10,ZPC(YEL),SW	S.N.A	EY112	AA60-40011A EYELET;ID2.0,OD2.8,BST	S.N.A
.....	5	AA62-30013D HEAT SINK-ES;-A6063 EXTR,-,55(21) T02	S.N.A	EY113	AA60-40011A EYELET;ID2.0,OD2.8,BST	S.N.A
△	D855	AA96-50153C ASSY H/S;-;AA62-30013D,FLM-G12S,-	S.N.A	EY114	AA60-40011A EYELET;ID2.0,OD2.8,BST	S.N.A
△	D856	AA96-50153C ASSY H/S;-;AA62-30013D,FLM-G12S,-	S.N.A	EY115	AA60-40011A EYELET;ID2.0,OD2.8,BST	S.N.A
△	D857	AA96-50153C ASSY H/S;-;AA62-30013D,FLM-G12S,-	S.N.A	EY116	AA60-40011A EYELET;ID2.0,OD2.8,BST	S.N.A
△	D858	AA96-50153C ASSY H/S;-;AA62-30013D,FLM-G12S,-	S.N.A	EY138	AA60-40011A EYELET;ID2.0,OD2.8,BST	S.N.A
△	D859	AA96-50153A ASSY H/S;-;TR,AA62-30013D,FMG-G26S,-	S.N.A	EY139	AA60-40011A EYELET;ID2.0,OD2.8,BST	S.N.A
.....	5	0402-000231 DIODE-RECTIFIER;FMG-G26S,600V,4A,TO-220F		EY140	AA60-40011A EYELET;ID2.0,OD2.8,BST	S.N.A
.....	5	6003-000333 SCREW-TAPTITE;RH,+2S,M3,L10,ZPC(YEL),SW	S.N.A	EY141	AA60-40011A EYELET;ID2.0,OD2.8,BST	S.N.A
.....	5	AA62-30013D HEAT SINK-ES;-A6063 EXTR,-,55(21) T02	S.N.A	EY142	AA60-40011A EYELET;ID2.0,OD2.8,BST	S.N.A
△	FD802S	3601-000300 FUSE-CARTRIDGE;250V,6.3A,SLOW-BLOW,GLASS		EY143	AA60-40011A EYELET;ID2.0,OD2.8,BST	S.N.A
△	FD804S	3601-000300 FUSE-CARTRIDGE;250V,6.3A,SLOW-BLOW,GLASS		EY158	AA60-40011A EYELET;ID2.0,OD2.8,BST	S.N.A
△	FD855S	3601-000300 FUSE-CARTRIDGE;250V,6.3A,SLOW-BLOW,GLASS		EY159	AA60-40011A EYELET;ID2.0,OD2.8,BST	S.N.A
△	FP801S	3601-000300 FUSE-CARTRIDGE;250V,6.3A,SLOW-BLOW,GLASS		EY163	AA60-40011A EYELET;ID2.0,OD2.8,BST	S.N.A
△	IC801S	AA96-00035A ASSY H/S;-;POWER,AA62-30181P,STR-F6656,-	S.N.A	EY164	AA60-40011A EYELET;ID2.0,OD2.8,BST	S.N.A
.....	5	0205-000129 GREASE-SILICON;SC102,JAPAN	S.N.A	EY165	AA60-40011A EYELET;ID2.0,OD2.8,BST	S.N.A
.....	5	6003-000333 SCREW-TAPTITE;RH,+2S,M3,L10,ZPC(YEL),SW	S.N.A	EY166	AA60-40011A EYELET;ID2.0,OD2.8,BST	S.N.A
.....	5	AA13-00018A IC HYBRID;-STR-F6656,LF1351,5PIN,-		EY167	AA60-40011A EYELET;ID2.0,OD2.8,BST	S.N.A
.....	5	AA62-30181P HEAT SINK-ES;-;T1.0,WHITE,SCREW-HOLE(2	S.N.A	EY168	AA60-40011A EYELET;ID2.0,OD2.8,BST	S.N.A
△	IC804	1203-001400 IC-POWER PRESCALER;SE110N,TO-220(SIP),3P		EY170	AA60-40011A EYELET;ID2.0,OD2.8,BST	S.N.A
△	LX801S	AA29-30002L FILTER LINE NOISE;-;10mHMIN,5A,AC90-260V		EY171	AA60-40011A EYELET;ID2.0,OD2.8,BST	S.N.A
△	LX802S	AA29-30002M FILTER LINE NOISE;-;1mHMIN,5A,AC90-260V		EY172	AA60-40011A EYELET;ID2.0,OD2.8,BST	S.N.A
△	LX803S	AA29-30002M FILTER LINE NOISE;-;1mHMIN,5A,AC90-260V		EY173	AA60-40011A EYELET;ID2.0,OD2.8,BST	S.N.A
△	NT801S	1404-001195 THERMISTOR-NTC;5.1ohm,15%,2900,27mW/C,BK		EY174	AA60-40011A EYELET;ID2.0,OD2.8,BST	S.N.A
△	PC801S	0604-001032 PHOTO-COUPLER;TR,170-260%,300mW,DIP-4,ST		EY175	AA60-40011A EYELET;ID2.0,OD2.8,BST	S.N.A
...4	R817	2009-001096 R-METAL PLATE;0.07ohm,5%,5W,CL,BK,5x14x1		EY176	AA60-40011A EYELET;ID2.0,OD2.8,BST	S.N.A
...4	R841	2008-001093 R-FUSIBLE(S);220HM,5%,1/2W,AC,BK,2.5X6.5		EY177	AA60-40011A EYELET;ID2.0,OD2.8,BST	S.N.A
△	T801S	AA26-00099A TRANS SWITCHING;EER5345,PCL544R,AC220V,1		EY178	AA60-40011A EYELET;ID2.0,OD2.8,BST	S.N.A
...4	4	AA97-05241A ASSY AUTO-SUB;PCL545R,P54A	S.N.A	EY179	AA60-40011A EYELET;ID2.0,OD2.8,BST	S.N.A
.....	5	2201-000551 C-CERAMIC,DISC;0.47nF,10%,1kV,Y5P,TP,6.3		EY180	AA60-40011A EYELET;ID2.0,OD2.8,BST	S.N.A
.....	5	2201-002041 C-CERAMIC,DISC;0.82nF,10%,2kV,Y5P,TP,9x5		EY181	AA60-40011A EYELET;ID2.0,OD2.8,BST	S.N.A
.....	5	2201-000406 C-CERAMIC,DISC;0.27nF,10%,2kV,Y5P,TP,6.3		EY182	AA60-40011A EYELET;ID2.0,OD2.8,BST	S.N.A
.....	5	2201-000332 C-CERAMIC,DISC;2.2nF,20%,250V,Y5U,TP,9x4		EY183	AA60-40011A EYELET;ID2.0,OD2.8,BST	S.N.A
.....	5	2201-000332 C-CERAMIC,DISC;2.2nF,20%,250V,Y5U,TP,9x4		EY184	AA60-40011A EYELET;ID2.0,OD2.8,BST	S.N.A
.....	5	2301-001216 C-FILM,PPF;47nF,5%,630V,TP,20x14.5x22.7		EY185	AA60-40011A EYELET;ID2.0,OD2.8,BST	S.N.A
.....	5	2201-000332 C-CERAMIC,DISC;2.2nF,20%,250V,Y5U,TP,9x4		EY186	AA60-40011A EYELET;ID2.0,OD2.8,BST	S.N.A
.....	5	2201-000292 C-CERAMIC,DISC;1nF,10%,50V,Y5P,TP,5x3.5		EY187	AA60-40011A EYELET;ID2.0,OD2.8,BST	S.N.A
.....	5	2401-003028 C-AL;100uF,20%,25V,WT,TP,6.3x11,5		EY188	AA60-40011A EYELET;ID2.0,OD2.8,BST	S.N.A
.....	5	2201-000551 C-CERAMIC,DISC;0.47nF,10%,1kV,Y5P,TP,6.3		EY189	AA60-40011A EYELET;ID2.0,OD2.8,BST	S.N.A

Loc. No.	Code No.	Description ; Specification	Remark
.....5	EY190	AA60-40011A EYELET;ID2.0,OD2.8,BST	S.N.A
.....5	EY191	AA60-40011A EYELET;ID2.0,OD2.8,BST	S.N.A
.....5	EY192	AA60-40011A EYELET;ID2.0,OD2.8,BST	S.N.A
.....5	EY193	AA60-40011A EYELET;ID2.0,OD2.8,BST	S.N.A
.....5	EY71	AA60-40011A EYELET;ID2.0,OD2.8,BST	S.N.A
.....5	EY72	AA60-40011A EYELET;ID2.0,OD2.8,BST	S.N.A
.....5	EY79	AA60-40011A EYELET;ID2.0,OD2.8,BST	S.N.A
.....5	EY80	AA60-40011A EYELET;ID2.0,OD2.8,BST	S.N.A
.....5	EY81	AA60-40011A EYELET;ID2.0,OD2.8,BST	S.N.A
.....5	EY82	AA60-40011A EYELET;ID2.0,OD2.8,BST	S.N.A
.....5	EY83	AA60-40011A EYELET;ID2.0,OD2.8,BST	S.N.A
.....5	EY84	AA60-40011A EYELET;ID2.0,OD2.8,BST	S.N.A
.....5	EY85	AA60-40011A EYELET;ID2.0,OD2.8,BST	S.N.A
.....5	EY86	AA60-40011A EYELET;ID2.0,OD2.8,BST	S.N.A
.....5	EY87	AA60-40011A EYELET;ID2.0,OD2.8,BST	S.N.A
.....5	EY88	AA60-40011A EYELET;ID2.0,OD2.8,BST	S.N.A
.....5	EY89	AA60-40011A EYELET;ID2.0,OD2.8,BST	S.N.A
.....5	EY90	AA60-40011A EYELET;ID2.0,OD2.8,BST	S.N.A
.....5	EY91	AA60-40011A EYELET;ID2.0,OD2.8,BST	S.N.A
.....5	EY92	AA60-40011A EYELET;ID2.0,OD2.8,BST	S.N.A
.....5	EY93	AA60-40011A EYELET;ID2.0,OD2.8,BST	S.N.A
.....5	EY94	AA60-40011A EYELET;ID2.0,OD2.8,BST	S.N.A
.....5	EY95	AA60-40011A EYELET;ID2.0,OD2.8,BST	S.N.A
.....5	EY99	AA60-40011A EYELET;ID2.0,OD2.8,BST	S.N.A
.....5	F801A	3602-000114 FUSE-HOLDER;-,-,30mohm	S.N.A
.....5	F801B	3602-000114 FUSE-HOLDER;-,-,30mohm	S.N.A
.....5	F802A	3602-000114 FUSE-HOLDER;-,-,30mohm	S.N.A
.....5	F802B	3602-000114 FUSE-HOLDER;-,-,30mohm	S.N.A
.....5	F804A	3602-000114 FUSE-HOLDER;-,-,30mohm	S.N.A
.....5	F804B	3602-000114 FUSE-HOLDER;-,-,30mohm	S.N.A
.....5	F855A	3602-000114 FUSE-HOLDER;-,-,30mohm	S.N.A
.....5	F855B	3602-000114 FUSE-HOLDER;-,-,30mohm	S.N.A
△.....5	FD805S	3601-001086 FUSE-AXIAL LEAD;125V,5A,FAST-ACTING,GLAS	S.N.A
△.....5	FD806S	3601-001065 FUSE-AXIAL LEAD;125V,3.5A,FAST-ACTING,CE	S.N.A
△.....5	FD854S	3601-001086 FUSE-AXIAL LEAD;125V,5A,FAST-ACTING,GLAS	S.N.A
△.....5	FD871S	3601-001086 FUSE-AXIAL LEAD;125V,5A,FAST-ACTING,GLAS	S.N.A
.....5	GT801	AA60-40014A PIN-GT,ASSY,AUTO	S.N.A
.....5	GT802	AA60-40014A PIN-GT,ASSY,AUTO	S.N.A
.....5	GT810	AA60-40014A PIN-GT,ASSY,AUTO	S.N.A
.....5	GT811	AA60-40014A PIN-GT,ASSY,AUTO	S.N.A
.....5	GT812	AA60-40014A PIN-GT,ASSY,AUTO	S.N.A
.....5	GT813	AA60-40014A PIN-GT,ASSY,AUTO	S.N.A
.....5	GT814	AA60-40014A PIN-GT,ASSY,AUTO	S.N.A
.....5	L806	2901-000297 FILTER-EMI ON BOARD;-,-,3A,-,-,3.5x5,TP,-	S.N.A
.....5	L807	2901-000297 FILTER-EMI ON BOARD;-,-,3A,-,-,3.5x5,TP,-	S.N.A
.....5	L808	3301-000287 CORE-FERRITE BEAD;AA,3.5x1.0x6.0mm,1500,	S.N.A
.....5	L810	2901-000297 FILTER-EMI ON BOARD;-,-,3A,-,-,3.5x5,TP,-	S.N.A
.....5	L811	2901-000297 FILTER-EMI ON BOARD;-,-,3A,-,-,3.5x5,TP,-	S.N.A
.....5	L812	2901-000297 FILTER-EMI ON BOARD;-,-,3A,-,-,3.5x5,TP,-	S.N.A
.....5	L813	2901-000297 FILTER-EMI ON BOARD;-,-,3A,-,-,3.5x5,TP,-	S.N.A
.....5	L814	3301-000287 CORE-FERRITE BEAD;AA,3.5x1.0x6.0mm,1500,	S.N.A
.....5	L815	2901-000297 FILTER-EMI ON BOARD;-,-,3A,-,-,3.5x5,TP,-	S.N.A
.....5	L816	2901-000297 FILTER-EMI ON BOARD;-,-,3A,-,-,3.5x5,TP,-	S.N.A
.....5	L831	3301-000287 CORE-FERRITE BEAD;AA,3.5x1.0x6.0mm,1500,	S.N.A
.....5	L832	3301-000287 CORE-FERRITE BEAD;AA,3.5x1.0x6.0mm,1500,	S.N.A
.....5	L851	2901-000297 FILTER-EMI ON BOARD;-,-,3A,-,-,3.5x5,TP,-	S.N.A
.....5	L857	2901-000297 FILTER-EMI ON BOARD;-,-,3A,-,-,3.5x5,TP,-	S.N.A
.....5	L859	2901-000297 FILTER-EMI ON BOARD;-,-,3A,-,-,3.5x5,TP,-	S.N.A
.....5	PCB	AA41-00342A PCB-POWER;PCL545R,CEM-1,1L,A,1.6T,330X24	S.N.A
.....5	Q801	0501-000389 TR-SMALL SIGNAL;KSC815,NPN,400mW,TO-92,T	S.N.A
.....5	R808	2001-000085 R-CARBON(S);100KOHM,5%,1/2W,AA,TP,2.4X6.	S.N.A
.....5	R808A	2001-000085 R-CARBON(S);100KOHM,5%,1/2W,AA,TP,2.4X6.	S.N.A
.....5	R812	2003-002170 R-METAL OXIDE(S);15Kohm,5%,2W,AG,TP,3.9x	S.N.A
.....5	R814	2003-002170 R-METAL OXIDE(S);15Kohm,5%,2W,AG,TP,3.9x	S.N.A
.....5	R815	2003-000512 R-METAL OXIDE(S);15Kohm,5%,3W,AA,TP,6x16	S.N.A
.....5	R815A	2003-000512 R-METAL OXIDE(S);15Kohm,5%,3W,AA,TP,6x16	S.N.A
.....5	R832	2001-001178 R-CARBON(S);680OHM,5%,1/2W,AA,TP,2.4X6.4	S.N.A
.....5	R834	2001-001097 R-CARBON(S);2.4KOHM,5%,1/2W,AA,TP,2.4X6.	S.N.A
.....5	R837	2001-001097 R-CARBON(S);2.4KOHM,5%,1/2W,AA,TP,2.4X6.	S.N.A
.....5	R838	2001-001097 R-CARBON(S);2.4KOHM,5%,1/2W,AA,TP,2.4X6.	S.N.A
.....5	R855	2001-001196 R-CARBON(S);9.1KOHM,5%,1/2W,AA,TP,2.4X6.	S.N.A
.....5	R871	2001-001088 R-CARBON(S);1KOHM,5%,1/2W,AA,TP,2.4X6.4M	S.N.A
.....5	R872	2001-000066 R-CARBON(S);10KOHM,5%,1/2W,AA,TP,2.4X6.4	S.N.A
.....5	R873	2004-004366 R-METAL(S);1.3Kohm,1%,1/2W,AA,TP,2.5x6.5	S.N.A
.....5	R874	2001-000734 R-CARBON;4.7KOHM,5%,1/8W,AA,TP,1.8X3.2MM	S.N.A
.....5	R875	2004-004366 R-METAL(S);1.3Kohm,1%,1/2W,AA,TP,2.5x6.5	S.N.A
△.....5	RP801S	2002-001010 R-COMPOSITION;1.8Mohm,5%,1/2W,AA,TP,3.7x	S.N.A

Loc. No.	Code No.	Description ; Specification	Remark
△.....5	RX801S	2002-001011 R-COMPOSITION;3.3Mohm,5%,1/2W,AA,TP,3.7x	S.N.A
△.....5	RY801S	2002-001013 R-COMPOSITION;4.7Mohm,5%,1/2W,AA,TP,3.7x	S.N.A
△.....5	VP801S	1405-000152 VARISTOR;560V,2500A,14x8.5mm,TP	S.N.A
△.....5	VX801S	1405-000187 VARISTOR;750V,1250A,12.5x7mm,TP	S.N.A
.....4	AA39-20009B	LEAD CONNECTOR-ASSY;1P,YFH800-01,300,16	S.N.A
.....4	0202-000187	SOLDER-WIRE FLUX;- ,RS60S,D1.2,63Sn/37Pb	S.N.A
.....3	AA92-03970D	ASSY P/MATERIAL-PCB;PJTJ52A NO-T/BOARD	S.N.A
.....4	CHASIS	AA69-01403A WRAP VINYL-PACKING;SKD CHASSIS,LDPE,TO.0	S.N.A
.....4	CHASIS	AA63-10007C BAND-PP;W18,CLEA,1G	S.N.A

ASSY COVER REAR

1	*	AA90-02622C	ASSY COVER REAR;55W3,HCM5525W3S/XAA	S.N.A
.....2		AA64-02225C	CABINET-BACK,SIDE;DP,47.55W3,HIPS V0,BLK	S.N.A
.....3		AA64-02065C	CABINET-BACK,SIDE;47.55W3,HIPS V0,BLK	S.N.A
.....2		AA67-00200A	SCREEN-TINT;55W,1249*710,T=0.7,P=0.52	S.N.A
.....2		BP64-00030A	CABINET-BACK,TOP;DP;55W3,BP64-00014A	S.N.A
.....3		BP64-00014A	CABINET BACK-TOP;55W3,PS SHEET,T4.0	S.N.A
.....3		AA63-10007C	BAND-PP;W18,CLEA,1G	S.N.A
.....2		AA64-01395L	INLAY-TERMINAL;J9,PS SHEET,TO.5,-,-,BLK,	S.N.A
.....2		AA67-00124B	SCREEN-FRESNEL;55W,-,T2,1251*712,-,-,-	S.N.A
.....2		AA65-30008A	CLAMPER CORE-CORD;- ,PE,HB,-,BLK,-	S.N.A
.....2		AA64-01849C	CABINET-BACK,BOT;DP,62J8,VO,AA64-01384B	S.N.A
.....3		AA64-01384B	CABINET-BACK,BOT;43,54,62J8,HIPS,-,-,-,V	S.N.A
.....4		0103-000161	RESIN-HIPS;BASFK456M,BLK,-,V0	S.N.A

ASSY COVER FRONT

1	*	AA90-02621D	ASSY COVER FRONT;55W3,HCM5525W3S/XAA	S.N.A
.....2		AP+BCM	AA60-10011A SCREW-TAPTITE;- ,SWRCH18A,M4,L12,HH,+ ,PC,	S.N.A
.....2		ASP+CW	6005-001004 SCREW-WOOD;HH,+ ,M4,L27,BLK,SWRCH18A	S.N.A
.....2		BCM+CW	6006-001094 SCREW-ASS'Y WOOD;WW,HH,+ ,M7,L32,ZPC(YEL)	S.N.A
.....2		BF+BM	AA60-10011A SCREW-TAPTITE;- ,SWRCH18A,M4,L12,HH,+ ,PC,	S.N.A
.....2		BM+CW	6005-001004 SCREW-WOOD;HH,+ ,M4,L27,BLK,SWRCH18A	S.N.A
.....2		CBB+AP	6003-001019 SCREW-TAPTITE;RH,+ ,B,M4,L12,ZPC(BLK),SWR	S.N.A
.....2		CBB+CW	6005-001003 SCREW-WOOD;HH,+ ,M4,L19,ZPC(BLK),SWRCH18A	S.N.A
.....2		CBB+EJ	6003-001022 SCREW-TAPTITE;RH,+ ,B,M3,L12,ZPC(BLK),SWR	S.N.A
.....2		CBS+CW	6005-001003 SCREW-WOOD;HH,+ ,M4,L19,ZPC(BLK),SWRCH18A	S.N.A
.....2		CBT+CW	6005-001003 SCREW-WOOD;HH,+ ,M4,L19,ZPC(BLK),SWRCH18A	S.N.A
.....2		CFB+CW	6005-001003 SCREW-WOOD;HH,+ ,M4,L19,ZPC(BLK),SWRCH18A	S.N.A
.....2		CFWTOP	AA63-60131A SPACER-FELT;SVP403J,FELT,-,-,BLK,TO.5,	S.N.A
.....2		CMV+CW	6005-001003 SCREW-WOOD;HH,+ ,M4,L19,ZPC(BLK),SWRCH18A	S.N.A
.....2		CMW+CW	6005-001004 SCREW-WOOD;HH,+ ,M4,L27,BLK,SWRCH18A	S.N.A
.....2		FP+BCM	AA60-10011A SCREW-TAPTITE;- ,SWRCH18A,M4,L12,HH,+ ,PC,	S.N.A
.....2		HC+CW	6005-001003 SCREW-WOOD;HH,+ ,M4,L19,ZPC(BLK),SWRCH18A	S.N.A
.....2		HM+CW	6005-001003 SCREW-WOOD;HH,+ ,M4,L19,ZPC(BLK),SWRCH18A	S.N.A
.....2		HV+BCM	AA60-10011A SCREW-TAPTITE;- ,SWRCH18A,M4,L12,HH,+ ,PC,	S.N.A
.....2		PCB+CF	6003-001023 SCREW-TAPTITE;RWH,+ ,B,M3,L10,ZPC(YEL),SW	S.N.A
.....3		AA98-00288E	ASSY K/D-CABINET,WOOD;HCM5525W3S/XAA,55	S.N.A
.....3		B-FRAM	AA60-10051A SCREW-WOOD;- ,SWRCH18A,M4,L16,PH,+ ,,-,ZP	S.N.A
.....3		BF+W00	AA60-10051A SCREW-WOOD;- ,SWRCH18A,M4,L16,PH,+ ,,-,ZP	S.N.A
.....3		CAS+CW	AA60-10051A SCREW-WOOD;- ,SWRCH18A,M4,L16,PH,+ ,,-,ZP	S.N.A
.....3		HCM+CW	AA60-10051A SCREW-WOOD;- ,SWRCH18A,M4,L16,PH,+ ,,-,ZP	S.N.A
.....3		HCW+CW	AA60-10051A SCREW-WOOD;- ,SWRCH18A,M4,L16,PH,+ ,,-,ZP	S.N.A
.....3		HW+CW	AA60-10051A SCREW-WOOD;- ,SWRCH18A,M3.5,L11,RH,+ ,,-,ZP	S.N.A
.....3		RAIL+R	AA60-10051A SCREW-WOOD;- ,SWRCH18A,M4,L16,PH,+ ,,-,ZP	S.N.A
.....3		SPK+CW	AA60-10051A SCREW-WOOD;- ,SWRCH18A,M4,L16,PH,+ ,,-,ZP	S.N.A
.....3		AA63-60126E	SPACER-FELT;FELT,BLK,T2,275X15	S.N.A
.....3		AA63-60126F	SPACER-FELT;FELT,BLK,T2,310X15	S.N.A
.....3		AA63-60126G	SPACER-FELT;FELT,BLK,T2,712X15	S.N.A
.....3		AA64-02208D	CABINET-WOOD;55W3HD,WOOD,MIJU	S.N.A
.....3		AA61-01070A	HOLDER-CABINET,BOT(D);W3,ABS HB,L990,BLK	S.N.A
.....3		AA61-10247A	BRACKET-FOCUS;S46DS,SECC,T1.0,-,-,-	S.N.A
.....3		AA61-20219A	HOLDER-FRONT,BOT,E;ABS,HB,L40,BLK	S.N.A
.....3		AA63-00384A	COVER-DUCT;DP 54J8,-,-,-,HB,-,AA63-003	S.N.A
.....4		AA63-00348B	COVER-DUCT;54,62J8,HIPS,-,-,-,HB,BLK,-	S.N.A
.....3		AA65-00017A	CLAMPER CORE-WIRE;ALL MODEL,NYLON6.6,BLK	S.N.A
.....3		BP61-00087B	RAIL-DOOR,L,W3,ABS HB,BLK	S.N.A
.....3		BP61-00087A	RAIL-DOOR,R,W3,ABS HB,BLK	S.N.A
.....3		AA61-01117B	HOLDER-SENSOR;W3,PC VIOLET	S.N.A
.....3		AA61-00792B	HOLDER-SENSOR;W3,PC VIOLET	S.N.A

Loc. No.	Code No.	Description ; Specification	Remark
...3	BP61-00075A	HOLDER-JERSEY,ASSY;W3,ABS V0,GRAY,63-000	S.N.A
...4	AA63-00099C	SPACER-FELT;47W3,FELT,BLK,TO.35,30*30	S.N.A
...4	AA61-00508D	HOLDER-JERSEY;W3,ABS V0,GRAY,G4309	S.N.A
...3	AA61-00508D	HOLDER-JERSEY;W3,ABS V0,GRAY,G4309	S.N.A
...3	AA91-00750A	ASSY-MAGNET,PUSH;MAGNET,W3	S.N.A
...3	AA61-00507B	HOLDER-CABINET,WOOD;43,54,62J8,ABS,-,-,-	S.N.A
...3	AA61-00458B	CASTER;-TP4020-05 PLY,-,OH56,-,-,SR44.4	S.N.A
...3	AA61-00097A	HOLDER-WIRE;-NYLON 6/6,-,-,-,NTR,-	S.N.A
...3	AA61-00094C	HOLDER-RAIL;PCJ533R,ABS,-,-,-,BLK,HB,480	S.N.A
...3	AA60-10050Y	SCREW-WOOD;-SWRCH18A,M4,L40,PH,+,-,-,-,ZP	S.N.A
...3	AA60-00078B	SPACER-DUAL,LOCK;W3,#250,19*40	S.N.A
...3	6005-001006	SCREW-WOOD;FH,+M3,L15.0,ZPC(BLK),SWRCH1	S.N.A
...3	AA61-00616B	HOLDER-CRT,MAIN;54J7,DP,-,-,-,AA61-005	S.N.A
...4	AA61-00506B	HOLDER-CRT,MAIN;43,54,62J8,HIPS,-,-,-,BL	S.N.A
...3	AA61-01067A	HOLDER-CABINET,BOT(A);W3,ABS HB,L40,BLK,	S.N.A
...3	AA61-00999A	HOLDER-DUAL,LOCK;W3,W1,ABS HB,BLK	S.N.A
...3	AA61-00973C	HOLDER-SCREEN,L;55W3,ABS HB,BLK	S.N.A
...3	AA61-00971C	HOLDER-SCREEN,TB;55W3,ABS HB,L1282,BLK	S.N.A
...3	AA61-00858B	BRACKET-FRAME;W3,SECC,T2.0	S.N.A
...3	AA61-00857B	BRACKET-NUT,INSERT;W3,M3 ZN	S.N.A
...3	AA61-00723A	HOLDER-PIN,DABO;PRJT,WOODEN NAIL,OD6XL20	S.N.A
...3	AA61-00722A	HOLDER-PIN,DABO;PRJT,NYLON,OD6.5XL25,-,-	S.N.A
..2	AA67-00206A	MIRROR-FRONT;55W9,FSM,1027*799*540	S.N.A
..2	BP61-00034A	BRACKET-MIRROR(BOT);DP;55W3,61-01093A	S.N.A
...3	AA61-01093A	BRACKET-MIRROR,BOT;55W9,SECC,T1.0	S.N.A
..2	AA63-00021M	SPACER-MIRROR,BOT;50J6,PVC HB,L799,BLK	S.N.A
..2	BP61-00033A	BRACKET-MIRROR(TOP);DP;55W3,61-01092A	S.N.A
...3	AA61-01092A	BRACKET-MIRROR, TOP;55W9,SECC,T1.0,BLK	S.N.A
..2	BP61-00032A	BRACKET-F/MIRROR(L);DP;55W3,61-01091A	S.N.A
...3	AA61-01091A	BRACKET-FRAME,MIRROR L;55W9,SECC,T1.6,BL	S.N.A
..2	BP61-00031A	BRACKET-F/MIRROR(R);DP;55W3,61-01090A	S.N.A
...3	AA61-01090A	BRACKET-FRAME,MIRROR R;55W9,SECC,T1.6,BL	S.N.A
..2	AA63-00380A	COVER-CORNER;PJT,POLYESTER,-,-,-,-,CLR,#	S.N.A
..2	AA63-60002V	SPACER-FELT;-FELT,-,-,-,BLK,TO.3,-,60X4	S.N.A
..2	AA64-02213D	BADGE-BRAND;80MM,AL FORGING,BL903P,SAMSU	S.N.A
..2	AA63-00063A	SPACER-DUAL,LOCK;SVP-614J,#400,-,-,-,-	S.N.A
..2	AA91-00843C	ASSY-C/FRONT,MASK;DP;64-02059F;55W3	S.N.A
...3	AA63-00380A	COVER-CORNER;PJT,POLYESTER,-,-,-,-,CLR,#	S.N.A
...3	AA63-00063A	SPACER-DUAL,LOCK;SVP-614J,#400,-,-,-,-	S.N.A
...3	AA64-02059F	CABINET-FRONT,MASK;55W3,HIPS HB,GRAY,BL9	S.N.A
...3	AA64-02213D	BADGE-BRAND;80MM,AL FORGING,BL903P,SAMSU	S.N.A
..2	AA61-00859B	PLATE-CENTER;W3,WOOD,T12,MDF	S.N.A
..2	AA98-01748A	ASSY K/D-SPEAKER;HCM5525W3S/XAA,P54A,	S.N.A
...3	AA39-00287B	LEAD CONNECTOR-ASSY;PCL54RX,UL2547#26,UL	S.N.A
...3	AA98-00049B	ASSY-LEAD,CON;-LEAD-CON,CORE,AA39-20505	S.N.A
...4	3301-001201	CORE-FERRITE;AE,21x11x32mm,1500,280G	S.N.A
...3	AA39-00086A	LEAD CONNECTOR-ASSY;2.2UF,REC,REC,200MM	S.N.A
...3	3001-001116	SPEAKER;30W,8ohm,96dB,60Hz	S.N.A
...3	3001-000153	SPEAKER;20W,8ohm,93dB,1.3KHz	S.N.A
..2	AA67-00132A	SUN SCREEN-AG;55W,-,T=82%,1251*712*2,-,-	S.N.A
..2	AA64-60449B	INLAY-COVER;SP-434JMF,PS,TO.5,149.3X69.5	S.N.A
..2	AA64-60421C	INLAY-COVER;-PS,TO.3,-,-,BLK,SEA	S.N.A
..2	AA61-00617B	BRACKET-CRT,MAIN;DP;54J7,AA61-00475B	S.N.A
...3	AA63-10007C	BAND-PP;W18,CLEA,1G	S.N.A
...3	AA61-00475B	BRACKET-CRT,MAIN;54,SECC,T1.6,-,-,-,-	S.N.A
..2	AA60-00072B	SPACER-COVER,DUST;43,54,62J9,SPONGE 94HF	S.N.A
..2	6001-000137	SCREW-MACHINE;BH,+M3,L8,ZPC(YEL),SM20C,	S.N.A
..2	AA63-00021L	SPACER-MIRROR, TOP;50J6,PVC HB,BLK,L1020	S.N.A
..2	AA63-00021K	SPACER-MIRROR;50J6,PVC,BLK,HB L500	S.N.A
..2	AA91-00842H	ASSY-C/FRONT,BOT;DP;64-02064L MIJU,55,65	S.N.A
...3	AA64-02080C	KNOB POWER;W3,ABS HB,BLK,BL903	S.N.A
...3	AA64-02081B	KNOB-CH,VOL;W3,ABS HB,BLK,CHROME,GLOSSY	S.N.A
...3	AA64-02082B	WINDOW-RMC,LED;W3,PC,CLEAR	S.N.A
...3	AA64-02205C	BADGE-DECORATION;W3,NI+AL FORGING+NI,DG7	S.N.A
...3	AA64-02064L	CABINET-FRONT,BOT;55,65W3,HIPS V0,GRAY,B	S.N.A
...3	6003-001026	SCREW-TAPTITE;RH,+B,M4,L15,ZPC(BLK),SWR	S.N.A
...3	AA61-00785B	GUIDE-KNOB,POWER;W3,ABS HB ,BLK,CHROME,G	S.N.A
...3	AA61-00786C	HOLDER-CONTROL,W3,ABS HB,BLK,BL903	S.N.A
...3	AA61-00791B	HOLDER-FRONT,BOT;W3,ABS HB,L40,BLK,DO	S.N.A
...3	AA61-01068A	HOLDER-CABINET,BOT(B);W3,ABS HB,L40,BLK,	S.N.A
...3	AA61-60003J	SPRING ETC-CS;-SUS304,-,-,OD6,N7,OD6,-,	S.N.A
..2	AA61-00972C	HOLDER-SCREEN,R;55W3,ABS HB,BLK	S.N.A
..2	AA64-02074B	INLAY-SPEAKER;J7,J8,J9,PS SHEET,TO.5,-,-	S.N.A
..2	AA91-00774H	ASSY-DOOR,RACK;DP;W3,HB GRAY,02066H	S.N.A
...3	AHD+DR 6003-001019	SCREW-TAPTITE;RH,+B,M4,L12,ZPC(BLK),SWR	S.N.A
...3	DR+BD 6003-001019	SCREW-TAPTITE;RH,+B,M4,L12,ZPC(BLK),SWR	S.N.A
...3	AA91-00758A	ASSY-HINGE,DOOR(R);SPRING,SECC T1.6 W3,W	S.N.A

Loc. No.	Code No.	Description ; Specification	Remark
...3	AA73-00007B	RUBBER-CAP;W3,MBR,GRAY,60	S.N.A
...3	AA64-02206B	WINDOW-DOOR;W3,GLASS,T3.0,BR	S.N.A
...3	AA61-00782B	BRACKET-MAGNET;W3,SPC,T2.0,FZW	S.N.A
...3	AA61-00856B	BRACKET-DOOR;47W3,SECC,T1.0,BLK	S.N.A
...3	AA63-10007C	BAND-PP;W18,CLEA,1G	S.N.A
...3	AA64-02066H	DOOR-RACK;47.55.65W3,HIPS HB,GRAY,BL903P	S.N.A
..2	AA73-00005B	RUBBER-CAP;FLAT,PRJ,SILICONE RUBBER,WHIT	S.N.A

ASSY K/D-SKD P/MATERIAL

1 *	AA98-01629A	ASSY K/D-SKD P/MATERIAL;SKD FORMAT-3	S.N.A
..2	WOODENAA63-10007C	BAND-PP;W18,CLEA,1G	S.N.A
..2	AA60-40006A	PIN-STAPLE;33X17.8X2.4,H18,33X17.8X2.4	S.N.A
..2	AA69-90001A	CHEMICALS-SILICAGEL;-,-,-,-,M2,5GR,-,-	S.N.A

ASSY P/MATERIAL

1 *	AA92-04017B	ASSY P/MATERIAL;HCM553W3S/XAA	S.N.A
..2	AA61-00049B	HOLDER-BOX;-PP,-,-,-,NTR,VO,AA61-20285A	S.N.A
...3	AA61-20285A	HOLDER-BOX;3456,PP,-,-,-,WHIT,VO	S.N.A
..2	AA63-10007C	BAND-PP;W18,CLEA,1G	S.N.A

ASSY SKD

1 *	AA92-05191A	ASSY SKD PART;1, , ,	S.N.A
..2	D/B	AA26-00101A	TRANS FBT;FWZ50A001E/FFA97513B,12KV,5P,-
..2		AA65-30104B	CLAMPER CORE-WIRE;ALL MODEL,NYLON 66,V2,
..2		AA96-00156D	ASSY POWER CORD;-EP2/YES(US),H/C 200MM,
..2		3301-001201	CORE-FERRITE;AE,21x11x32mm,1500,280G
..2		AA63-10002B	BAND-TIE;NYLON66 V2,L140,NTR
..2		AA61-20284A	HOLDER-P-CORD,PP,-,-,-,BLK,VO,KE-002
..2		AA39-10007Y	CBF POWER CORD;-EP2/YES,SPT-2 18AWGx2C,
..2		3811-000401	WIRE-PVC CU;BCWA,300V,ROLL,17/0.16mm,#22
..2		AA39-20577B	LEAD CONNECTOR-ASSY;P54A/SVP-55W3HD,UL16
..2		3301-001201	CORE-FERRITE;AE,21x11x32mm,1500,280G
..2		AA26-30006F	TRANS FBT;-FWZ-50A001C,55',30KV
..2		AA59-00218A	MODULE;SVP-5200,F301-P03,BK
..2		AA63-10002A	BAND-TIE;NYLON66 V2,L100,NTR
..2		AA65-30018A	CLAMPER CORE-WIRE;DONG-A,NYLON-66,-,-,-,

ASSY CPT

1 *	AA91-03840A	ASSY CPT;HCL552W3S/XAA	S.N.A
..2		AA98-00294N	ASSY K/D-CRT,B;P16LSG03BMB,+380MG,DELTA
...3	BC+AL	AA60-10011A	SCREW-TAPTITE;-SWRCH18A,M4,L12,HH,+PC,
...3		AA61-00847A	CASE-COUPLER,B;DP,PROJ,AA61-00808B
...4		AA61-00808B	CASE-COUPLER,B;PROJ,ALDC,T8,BLK
...4		AA63-10007C	BAND-PP;W18,CLEA,1G
...3		AA61-00810B	HOLDER-CAP,PROJ,PC,CLR
...3		AA61-00809B	HOLDER-CRT;PROJ,PC/ABS GF 20%,BLK
...3		AA61-00056B	BRACKET-LENS;PROJECTION,SECC,T1.6,-,-,-,
...3		BP61-00079A	HOLDER-DY;-PJT,TO.5,NYLON66 V2
...3		AA91-00735B	ASSY-BRKT,CRT;DP,AA91-00722A,PROJ
...4		AA91-00722A	ASSY-BRKT,CRT;SECC T1.6,PROJ
...5		AA61-00473B	BRACKET-CRT;53,SECC,T1.6,-,-,-,-
...5		AA61-00615B	BRACKET-EARTH;54J8,PBS,TO.5,-,-,-,-
...5		AA61-00812A	SPRING ETC-WIRE;PROJ,STS,3.6
...3		AA67-00156A	LENS;DELTA 240,CLEAR,C-ELEMENT
...3		AA67-00146A	LENS-ASSY;DELTA 260,CLEAR A/B
...3		AA63-00076A	SPACER-LENS;PROJECTION,FELT,-,-,-,BROWN
...3		AA27-00151A	DEFLECTION YOKE;-CDY-PT0702(X),PRT,P16L
...3		AA03-00202A	CRT MONO;P16LSG03BMB,FREE,3.30mH,2.20mH,
...3		AA60-00127B	SPACER-LENS;PROJ,SILICONE,D/GRAY
...3		AA60-00126B	SPACER-CAP;PROJ,EPDM,BLK
...3		AA60-00125B	SPACER-CRT;PROJ,SILICONE,D/GRAY
...3		AA39-00018A	LEAD CONNECTOR-ASSY;UL1015#22,UL/CSA,1P

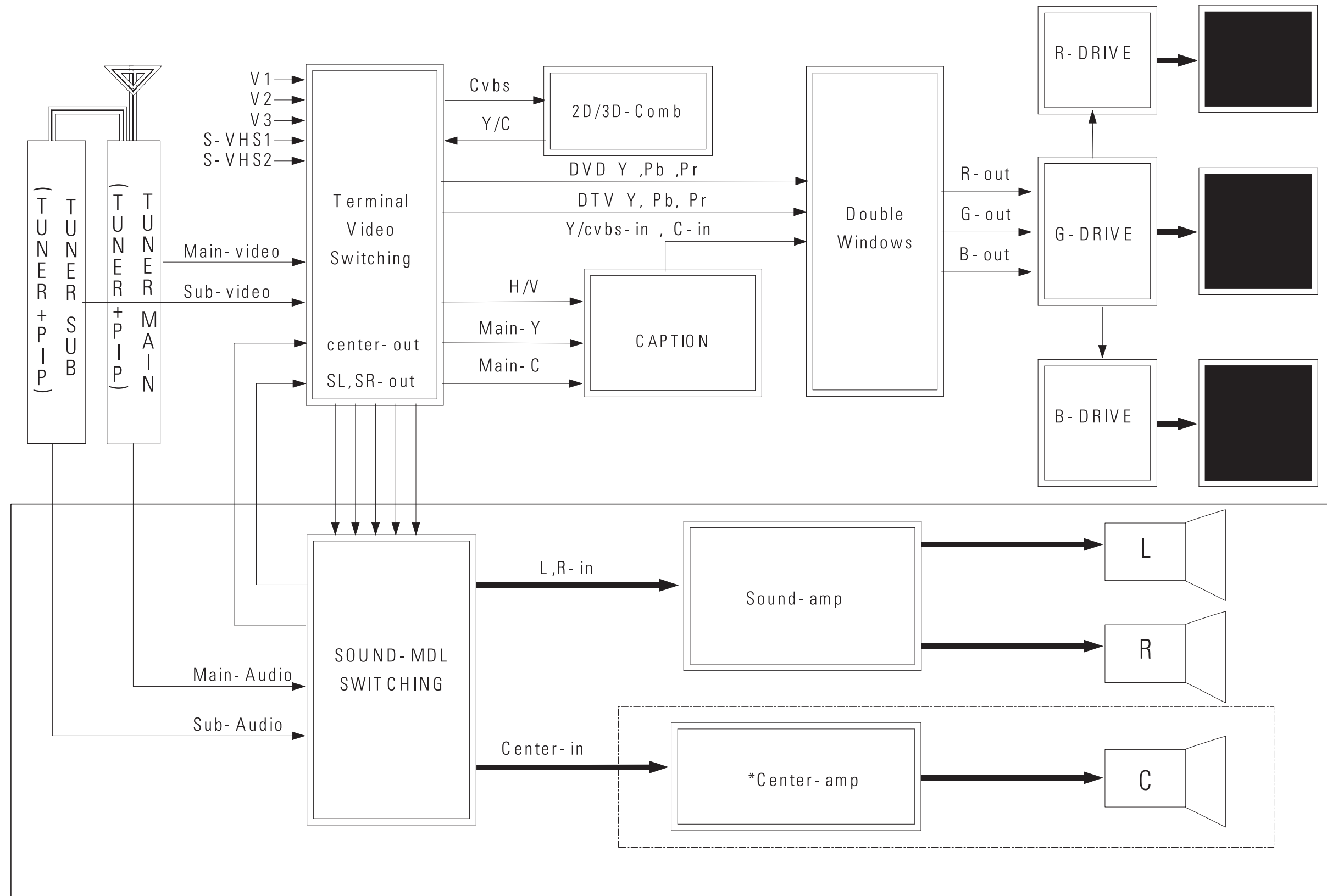
Loc. No.	Code No.	Description ; Specification	Remark	Loc. No.	Code No.	Description ; Specification	Remark
...3	AA33-00008A	MAGNET CONVERGENCE;JH92LTU-36A,7inchPRT,					
..2	AA98-00295M	ASSY K/D-CRT,G;P16LSG03HKA,+380MG,DELTA	S.N.A				
...3	BC+AL AA60-10011A	SCREW-TAPTITE;-SWRCH18A,M4,L12,HH,+,PC,	S.N.A				
...3	AA61-00056B	BRACKET-LENS;PROJECTION,SECC,T1.6,-,-,-,	S.N.A				
...3	AA61-00809B	HOLDER-CRT;PROJ,PC/ABS GF 20%,BLK	S.N.A				
...3	AA61-00810B	HOLDER-CAP;PROJ,PC,CLR	S.N.A				
...3	AA61-00846A	CASE-COUPLER,G;DP,PROJ,AA61-00807B	S.N.A				
....4	AA61-00807B	CASE-COUPLER,G;PROJ,ALDC,T8,BLK	S.N.A				
....4	AA63-10007C	BAND-PP;W18,CLEA,1G	S.N.A				
...3	AA63-00076A	SPACER-LENS;PROJECTION,FELT,-,-,-,BROWN	S.N.A				
...3	AA67-00146A	LENS-ASSY;,DELTA 260,CLEAR A/B					
...3	AA67-00158A	LENS;,DELTA 240,GREEN,C-ELEMENT					
...3	AA91-00735B	ASSY-BRKT,CRT;DP,AA91-00722A,PROJ					
....4	AA91-00722A	ASSY-BRKT,CRT;,SECC T1.6,PROJ					
....5	AA61-00473B	BRACKET-CRT;53,SECC,T1.6,-,-,-,-	S.N.A				
....5	AA61-00615B	BRACKET-EARTH;54J8,PBS,TO.5,-,-,-,-	S.N.A				
....5	AA61-00812A	SPRING ETC-WIRE;PROJ,STS,3.6	S.N.A				
...3	BP61-00079A	HOLDER-DY;,PJT,TV,TO.5,NYLON66 V2	S.N.A				
△	AA03-00201A	CRT MONO;P16LSG03HKA,FREE,3.30mH,2.20mH,					
...3	AA27-00151A	DEFLECTION YOKE;-CDY-PT0702(X),PRT,P16L					
...3	AA39-00018A	LEAD CONNECTOR-ASSY;,UL1015#22,UL/CSA,1P					
...3	AA60-00125B	SPACER-CRT;PROJ,SILICONE,D/GRAY	S.N.A				
...3	AA60-00126B	SPACER-CAP;PROJ,EPDM,BLK	S.N.A				
...3	AA60-00127B	SPACER-LENS;PROJ,SILICONE,D/GRAY	S.N.A				
..2	AA98-00297N	ASSY K/D-CRT,R;P16LSG03RJA,+380MG,DELTA2	S.N.A				
...3	BC+AL AA60-10011A	SCREW-TAPTITE;-SWRCH18A,M4,L12,HH,+,PC,	S.N.A				
...3	AA61-00845A	CASE-COUPLER,R;DP,PROJ,AA61-00806B	S.N.A				
....4	AA61-00806B	CASE-COUPLER,R;PROJ,ALDC,T8,BLK	S.N.A				
....4	AA63-10007C	BAND-PP;W18,CLEA,1G	S.N.A				
...3	AA61-00810B	HOLDER-CAP;PROJ,PC,CLR	S.N.A				
...3	AA61-00809B	HOLDER-CRT;PROJ,PC/ABS GF 20%,BLK	S.N.A				
...3	AA61-00056B	BRACKET-LENS;PROJECTION,SECC,T1.6,-,-,-,	S.N.A				
...3	BP61-00079A	HOLDER-DY;,PJT,TV,TO.5,NYLON66 V2	S.N.A				
...3	AA91-00735B	ASSY-BRKT,CRT;DP,AA91-00722A,PROJ					
....4	AA91-00722A	ASSY-BRKT,CRT;,SECC T1.6,PROJ					
....5	AA61-00473B	BRACKET-CRT;53,SECC,T1.6,-,-,-,-	S.N.A				
....5	AA61-00615B	BRACKET-EARTH;54J8,PBS,TO.5,-,-,-,-	S.N.A				
....5	AA61-00812A	SPRING ETC-WIRE;PROJ,STS,3.6	S.N.A				
...3	AA67-00157A	LENS;,DELTA 240,RED,C-ELEMENT					
...3	AA67-00146A	LENS-ASSY;,DELTA 260,CLEAR A/B					
...3	AA63-00076A	SPACER-LENS;PROJECTION,FELT,-,-,-,BROWN	S.N.A				
...3	AA27-00151A	DEFLECTION YOKE;-CDY-PT0702(X),PRT,P16L					
△	AA03-00200A	CRT MONO;P16LSG03RJA,FREE,3.30mH,2.20mH,					
...3	AA60-00127B	SPACER-LENS;PROJ,SILICONE,D/GRAY	S.N.A				
...3	AA60-00126B	SPACER-CAP;PROJ,EPDM,BLK	S.N.A				
...3	AA60-00125B	SPACER-CRT;PROJ,SILICONE,D/GRAY	S.N.A				
...3	AA39-00018A	LEAD CONNECTOR-ASSY;,UL1015#22,UL/CSA,1P					
...3	AA33-00008A	MAGNET CONVERGENCE;JH92LTU-36A,7inchPRT,					

ASSY ACCESSORY

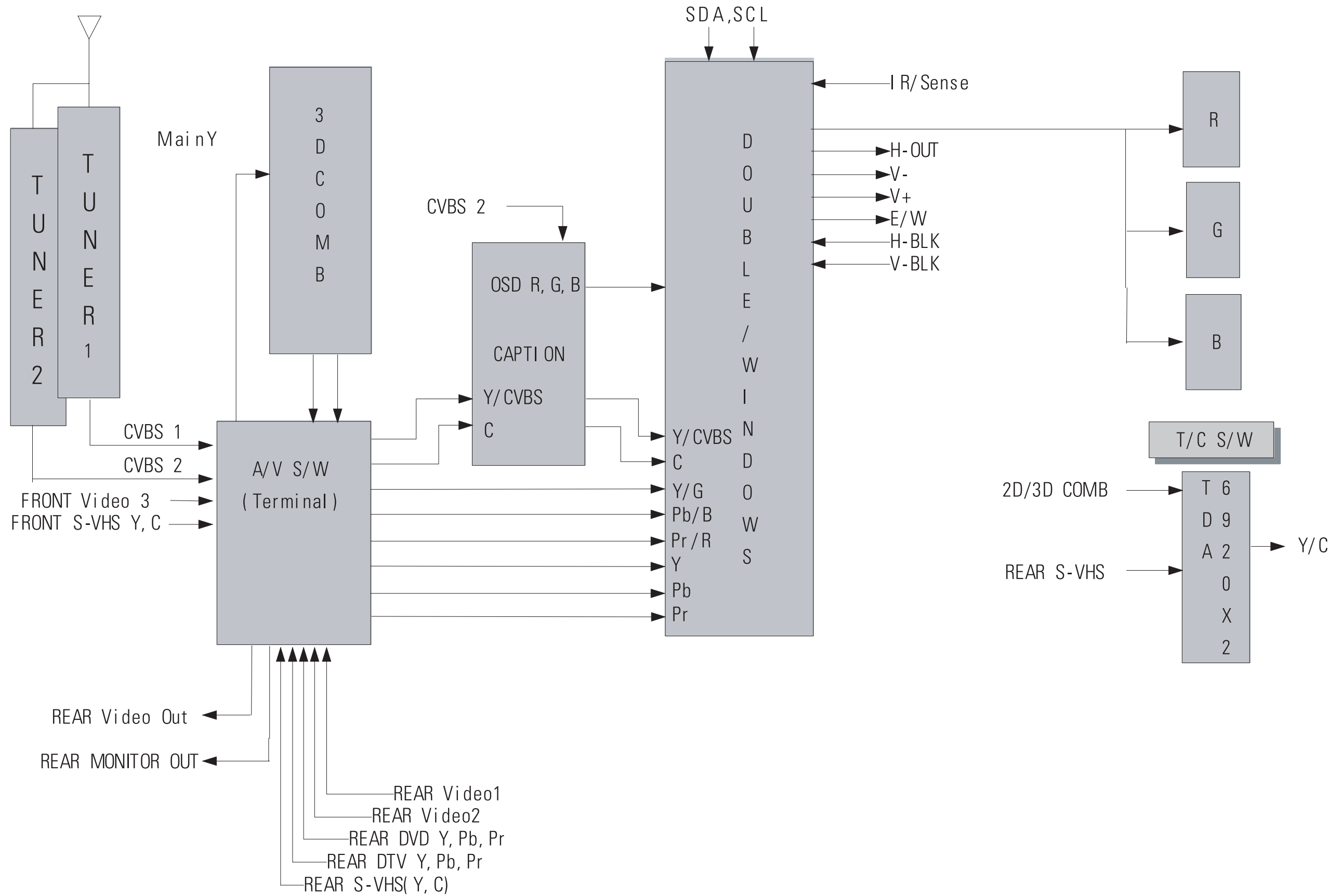
1	*	AA92-04025A	ASSY ACCESSORY;HCM5525W3S/XAA,P54A	S.N.A
..2		AA68-00371C	CARD WARRANTY-01;,SEA,W/P100(G),1 YEAR	S.N.A
..2		AA68-40065B	CARD-REGISTRATION;SEA,A5,ENG,A/P220.2P(S.N.A
..2		AA68-01509D	MANUAL USERS;HCM5525/553/653,ENG,W/P100G	
..2		AA39-00006A	CABLE RCA;,3000MM	
..2		AA59-00176A	REMOCON;-TM63,SHARK,51,L/GRAY,DO,-,-,-,	
...3		2802-000194	RESONATOR-CERAMIC;8MHz,1.0%,TP,8.5x4.5x5	
...3		AA09-00275A	IC MICOM;Z86L8808SSC-R51PX,SOP,ST,SZTM-8	
..2		AA61-20126A	HOLDER-LEG;-ABS,-,-,-,BLK,HB	

8. Block Diagram

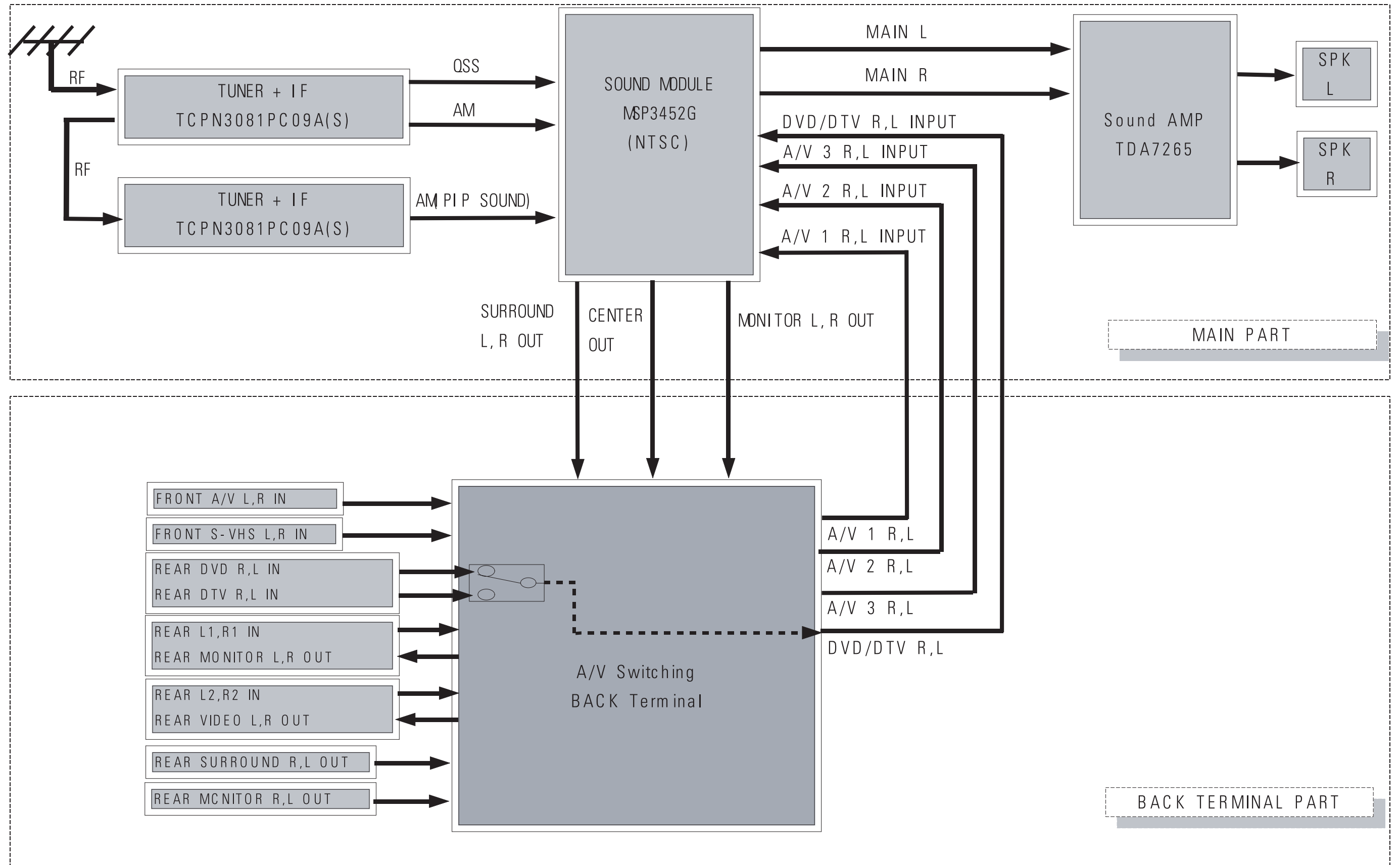
8-1 Main Signal(Progressive)



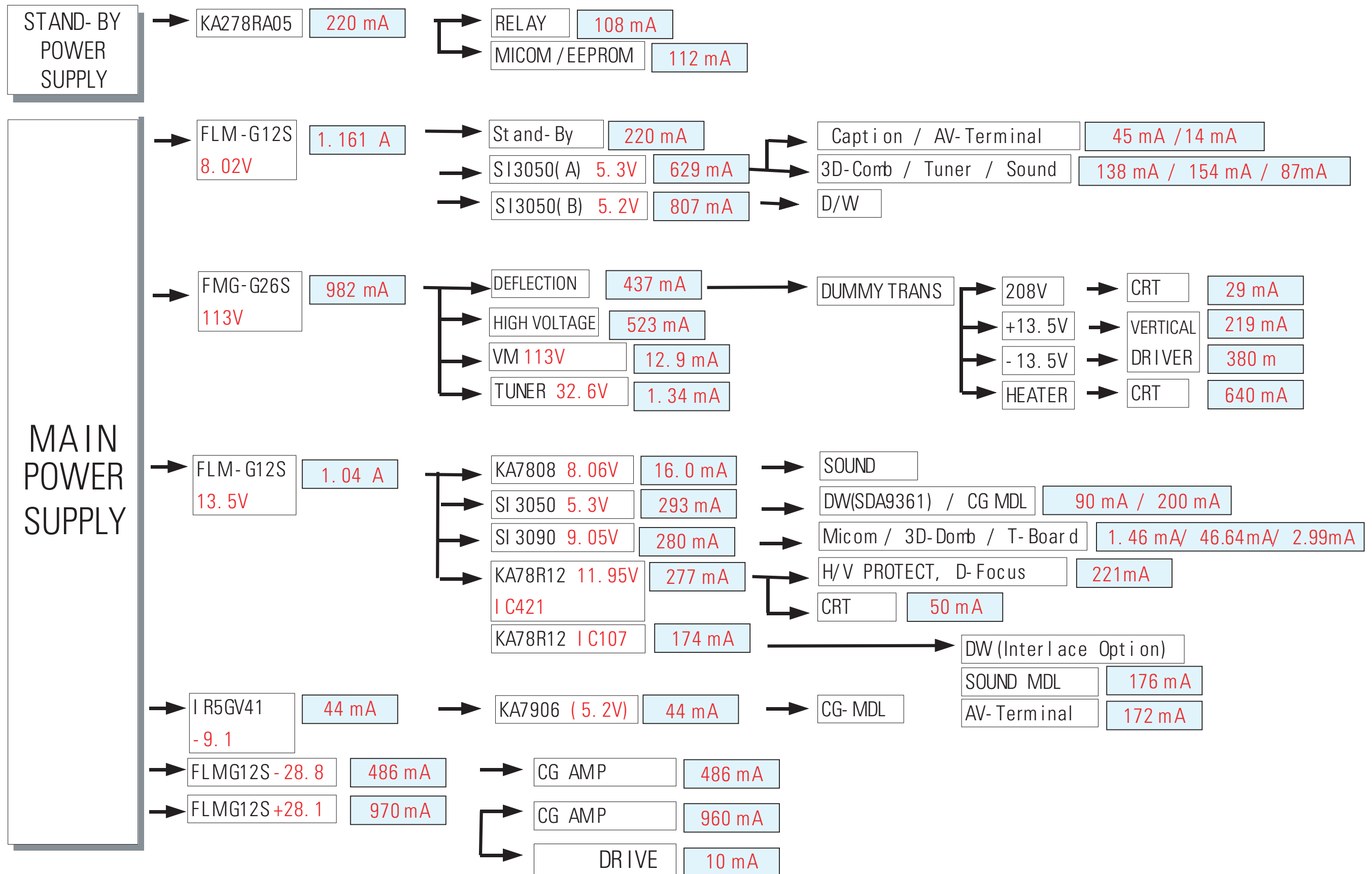
8-2 Video Signal



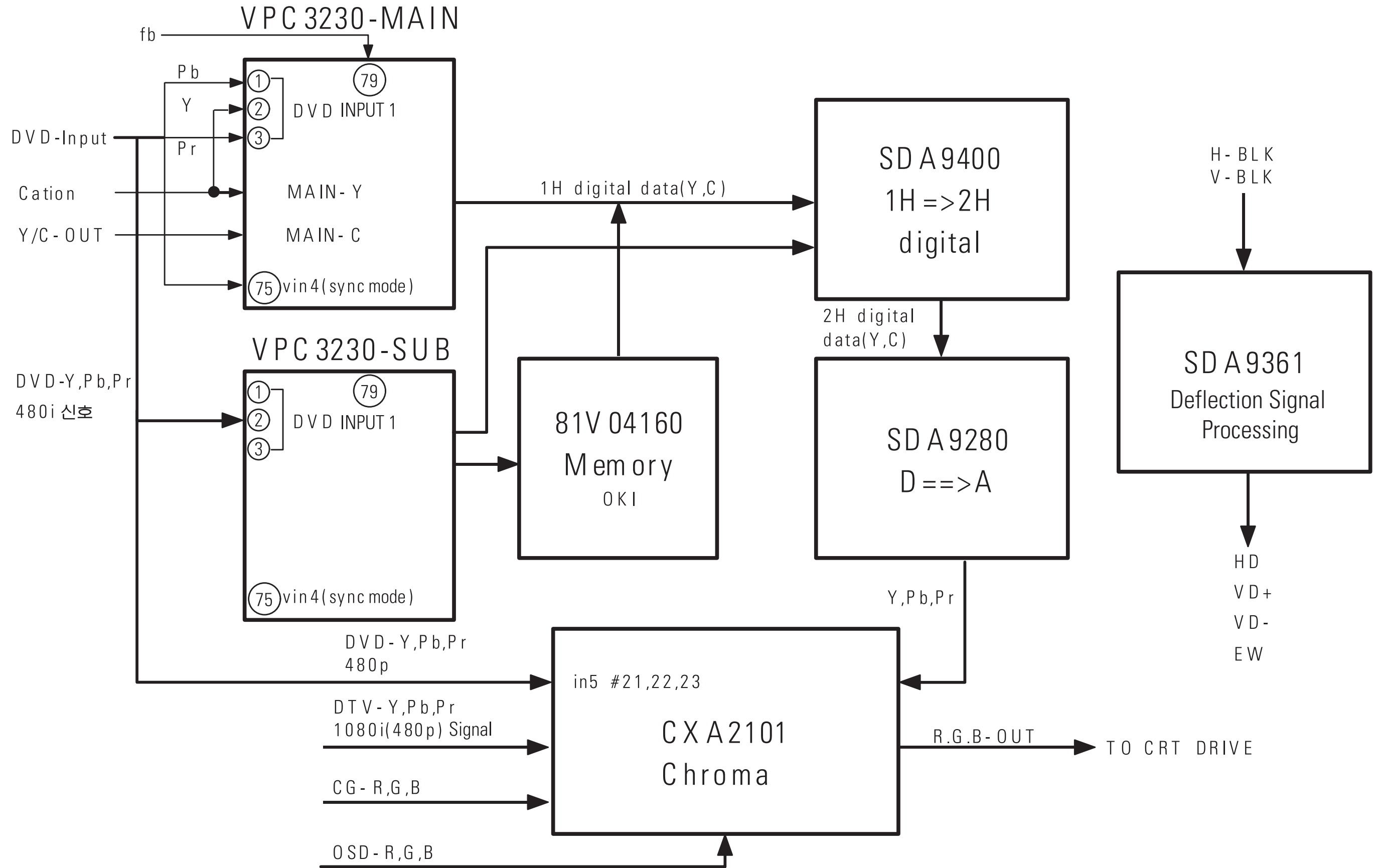
8-3 Sound Signal



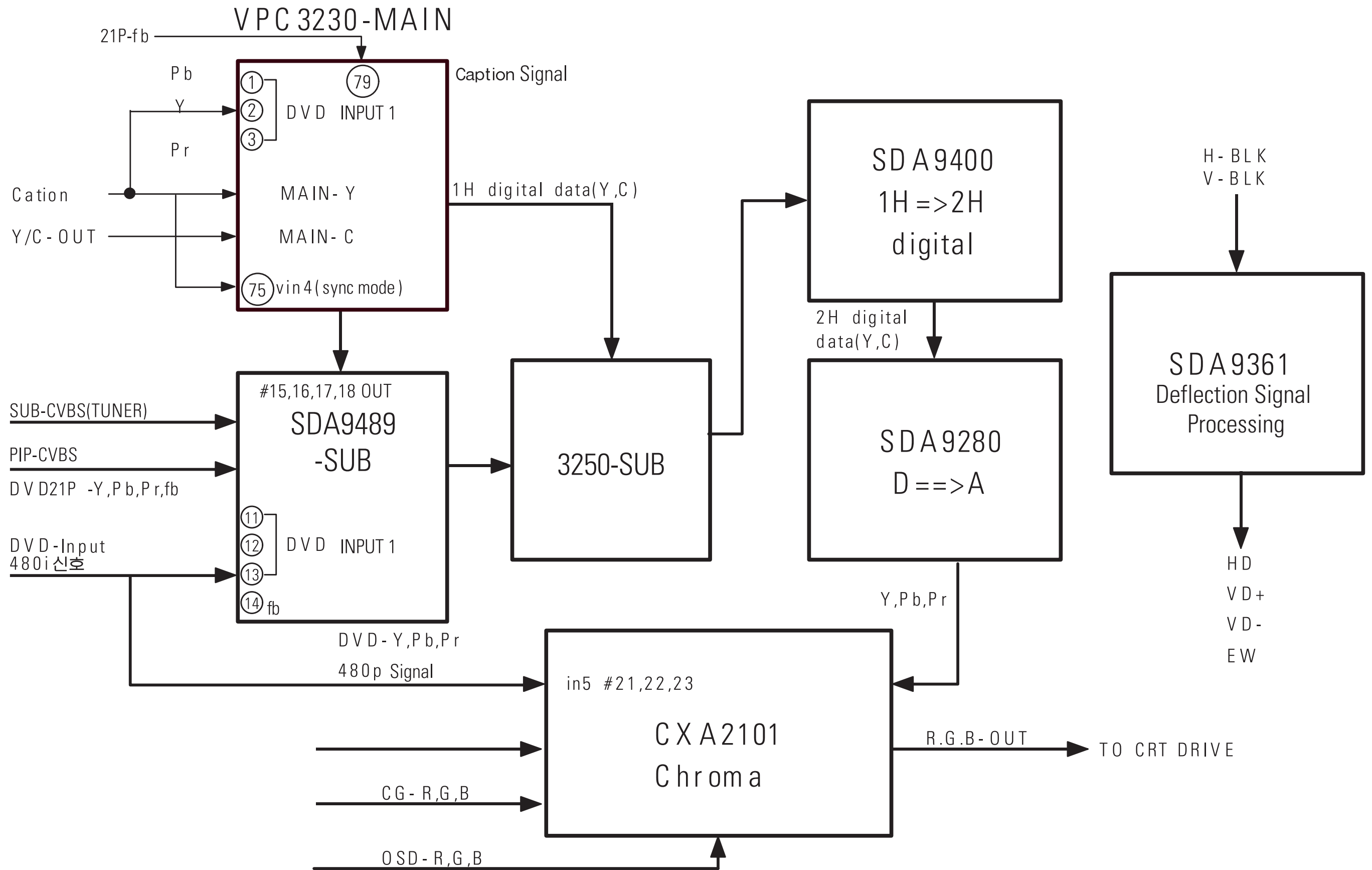
8-4 Power Supply



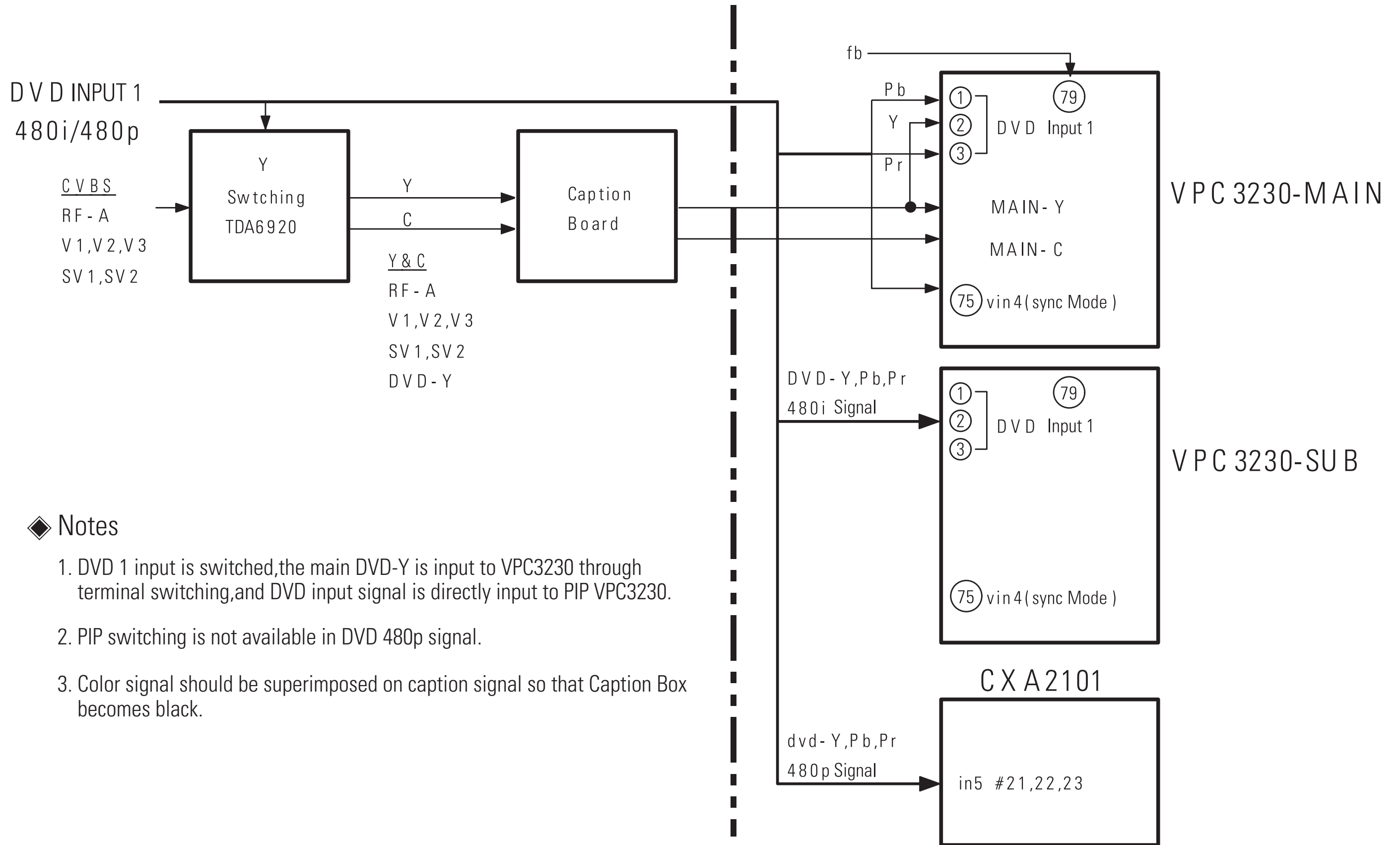
8-5 Double-Windows Block Diagram (Applied IC : SDA3230 + SDA9400)



8-6 Simple PIP (Applied IC : CIA3250 + SDA9400)



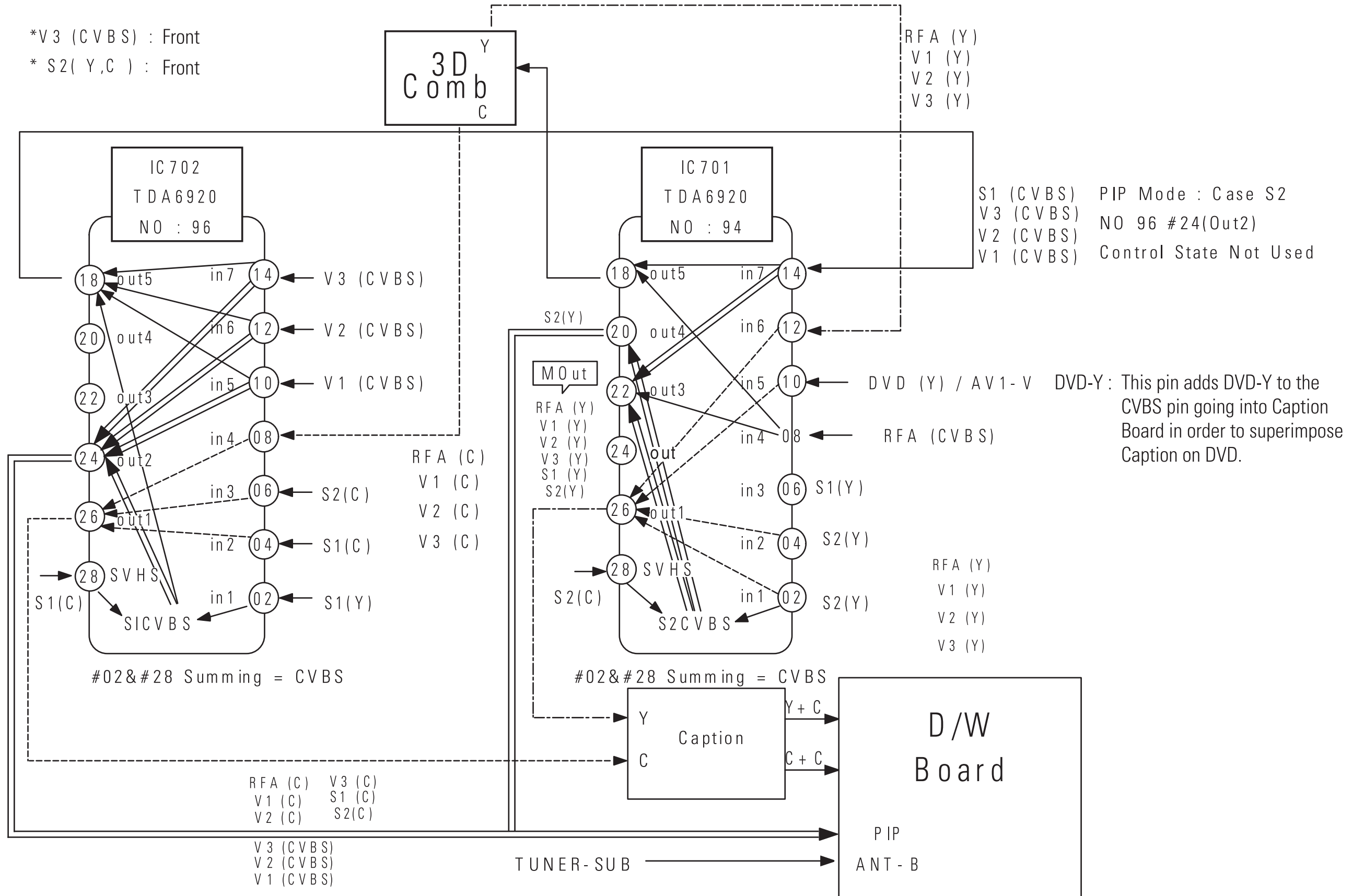
8-7 VPC 3230 RGB Input Change



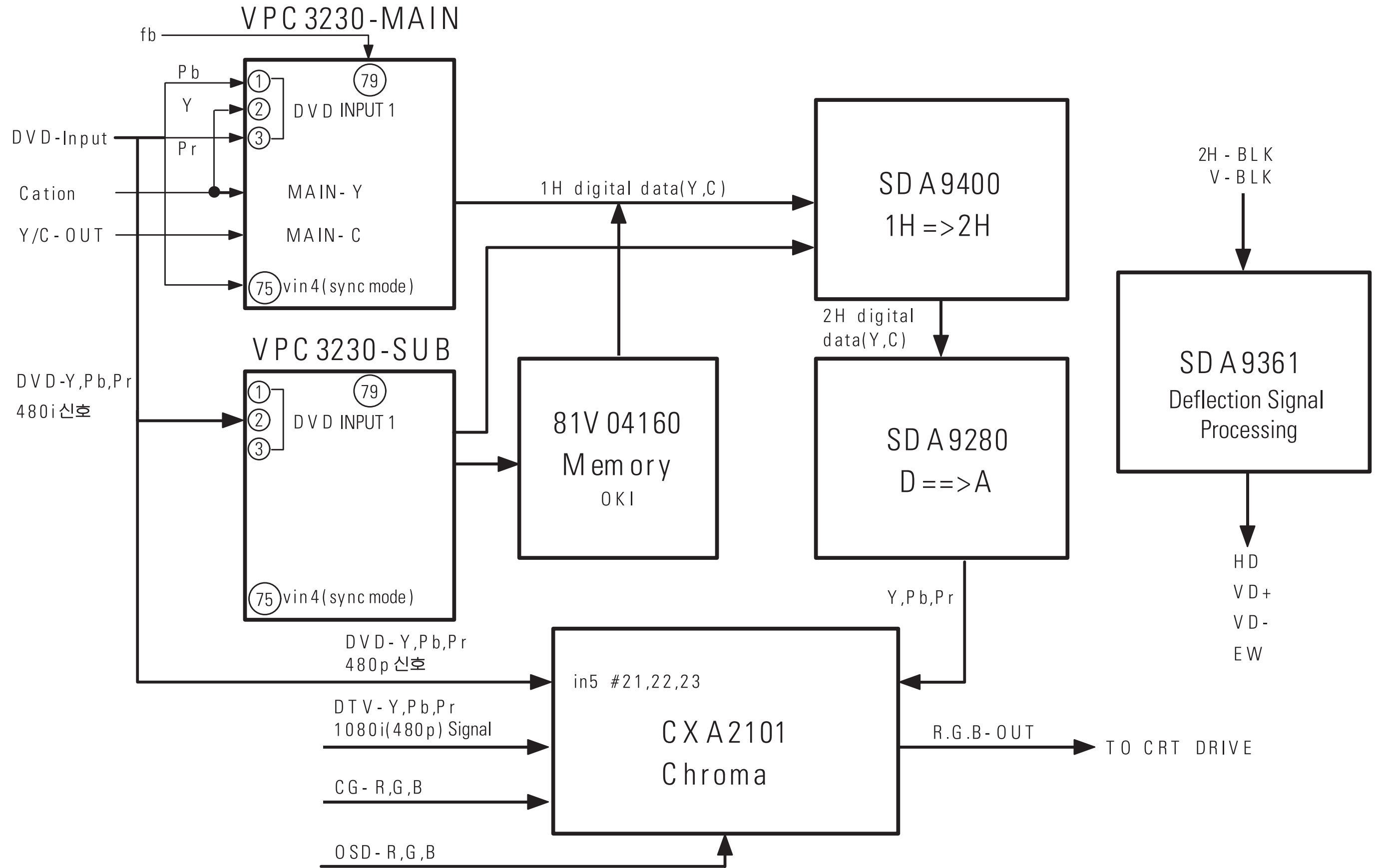
◆ Notes

1. DVD 1 input is switched,the main DVD-Y is input to VPC3230 through terminal switching,and DVD input signal is directly input to PIP VPC3230.
2. PIP switching is not available in DVD 480p signal.
3. Color signal should be superimposed on caption signal so that Caption Box becomes black.

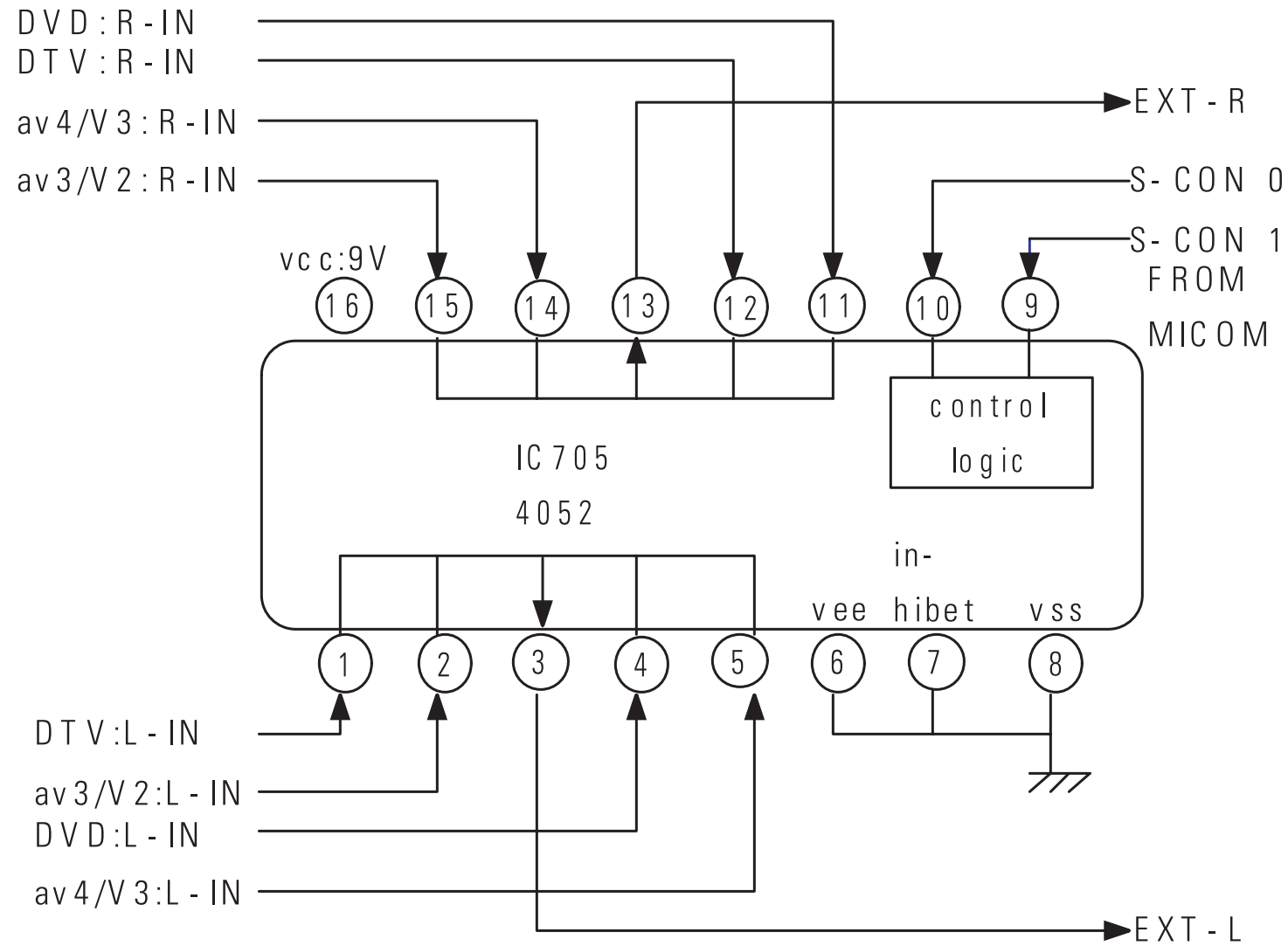
8-8 Video S/W Signal Change



8-9 D/W Block Diagram (SDA9400)



8-10 Sound Switching Block Diagram 1



◆ Signal Processing

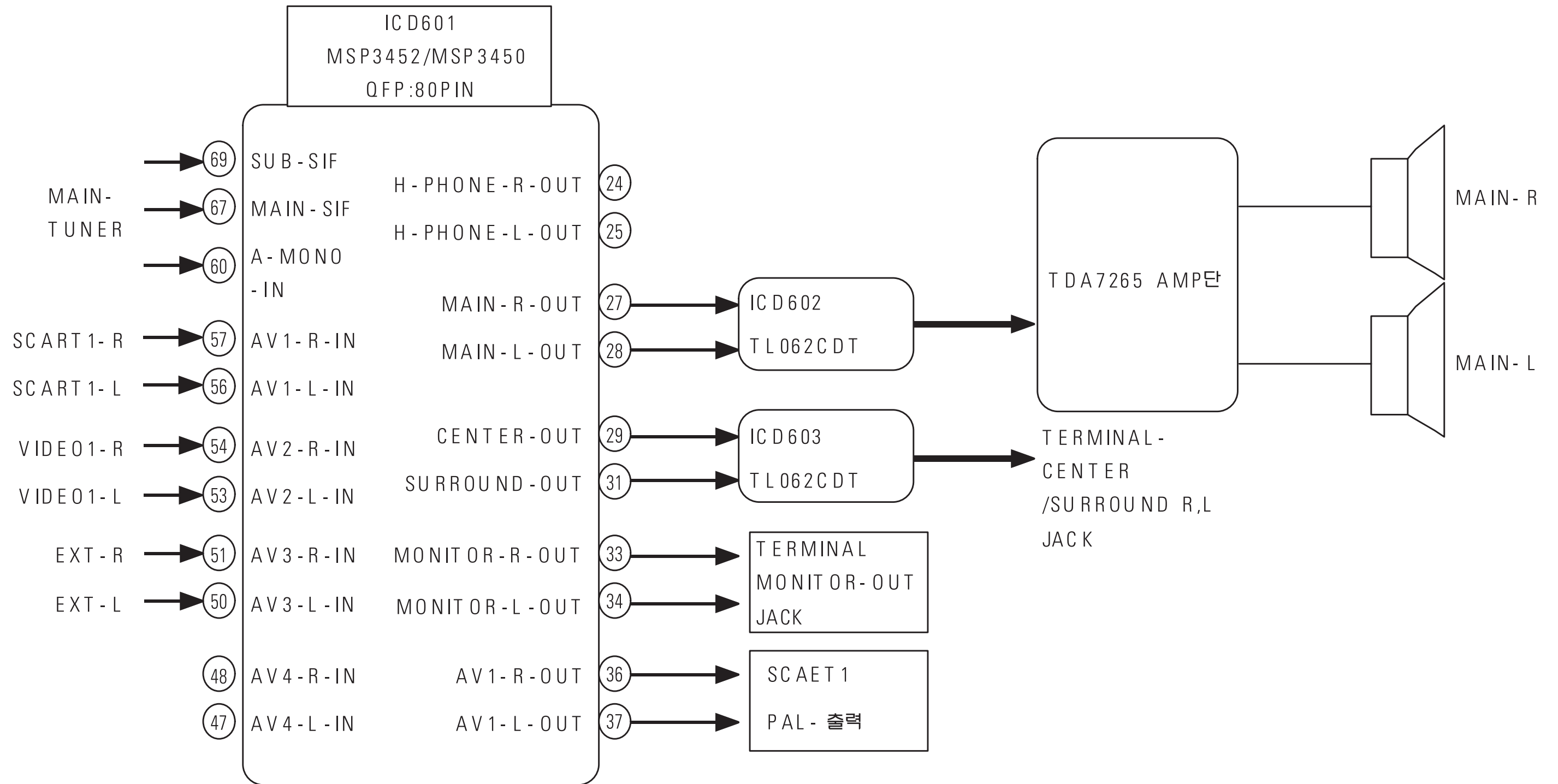
The first Sound Switching is performed at IC706:4052 IC, the main micom is controlled by S-CON0/1, and then the second Sound Switching is performed at MSP3452 Sound IC.

◆ Note : The S-Video 1 sound is output only when Video 1 Sound is connected.

- AV1 (SCART1) : PAL ONLY
- AV2 (VIDEO1) : NT / PAL
- AV3 (VIDEO2) : NT / PAL
- AV4 (VIDEO3) : NT / PAL

	S - CON 0	S - CON 1
DTV	0	0
AV 3 / VIDEO 2	0	1
AV 4 / VIDEO 3	1	0
DVD	1	1

8-11 Sound Switching Block Diagram 2

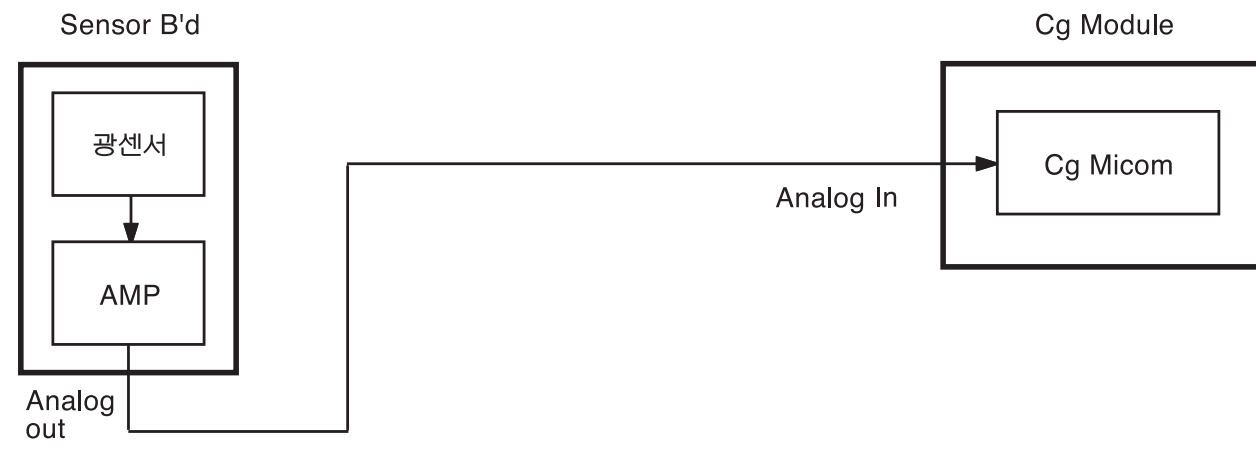


◆ MSP3452/3450 is a multifunctional IC, and so it can be used in both of NTSC/PAL system.

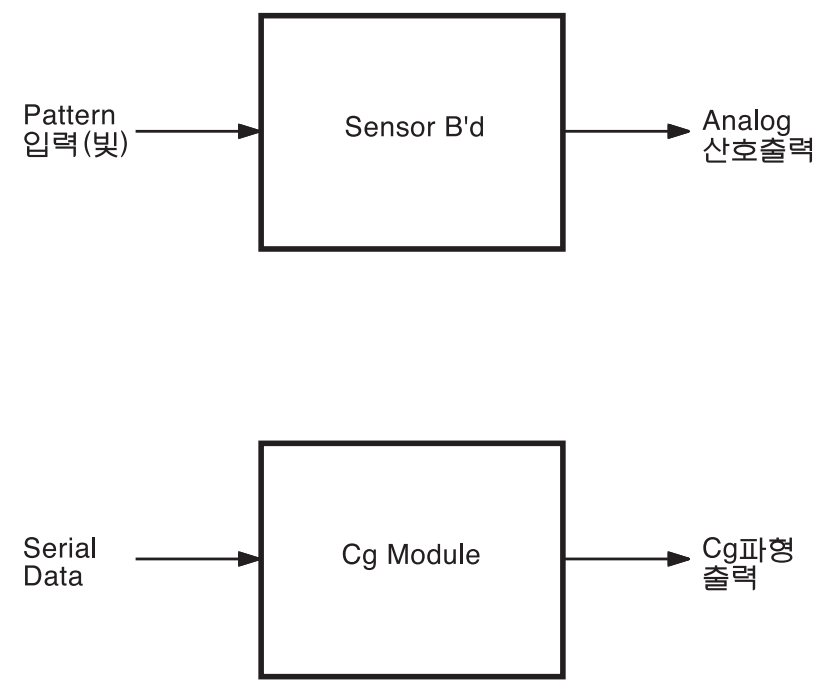
MSP3452 : Dolby function

MSP3450 : Simple Stereo, Sound Multiplex

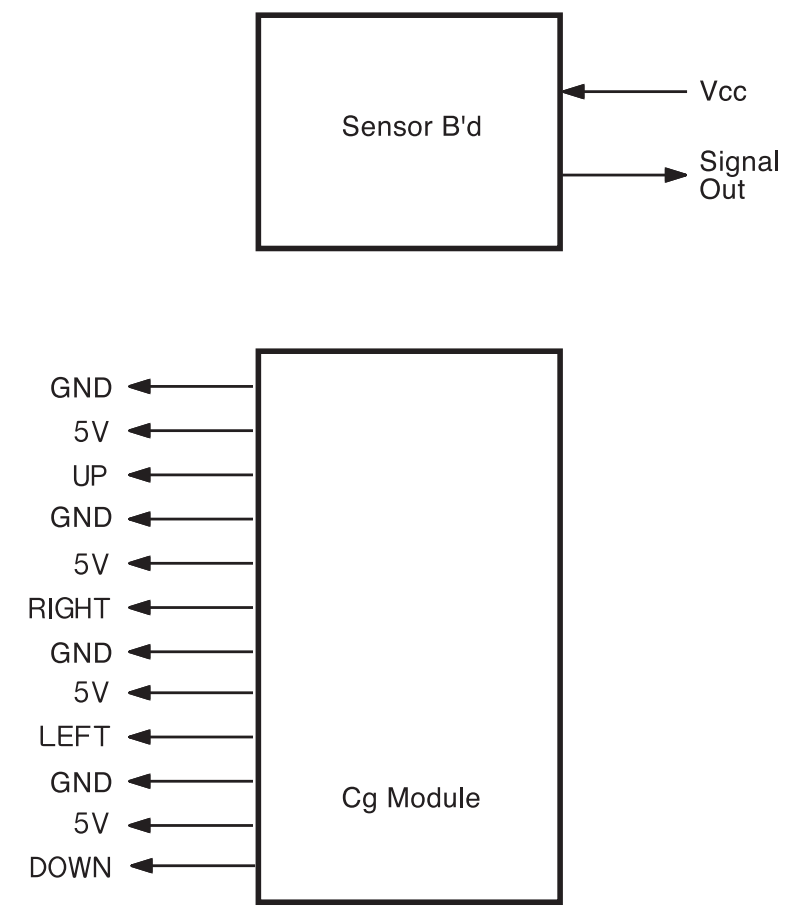
8-12 Auto Convergence Block



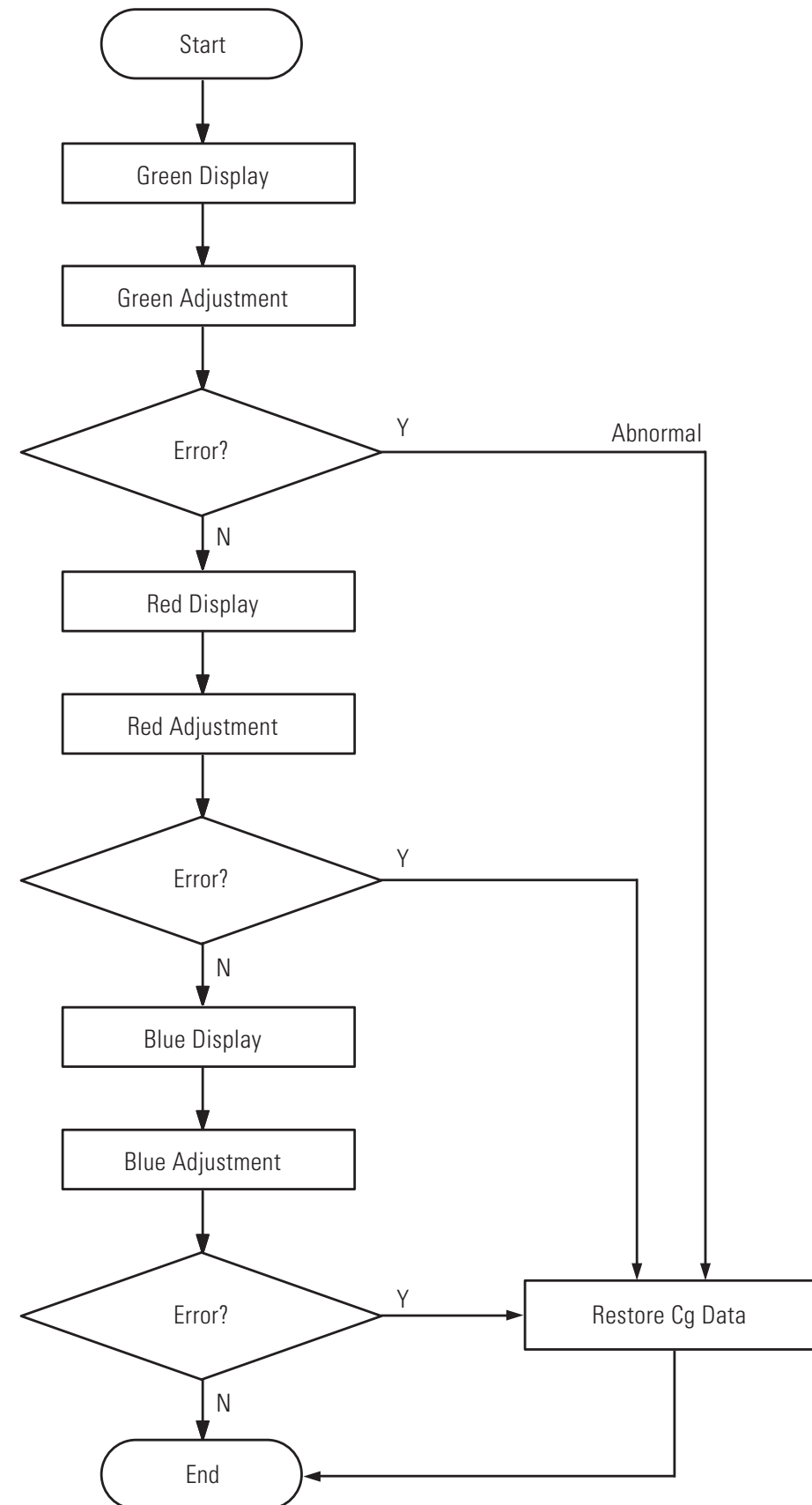
8-13 In/Out by Block



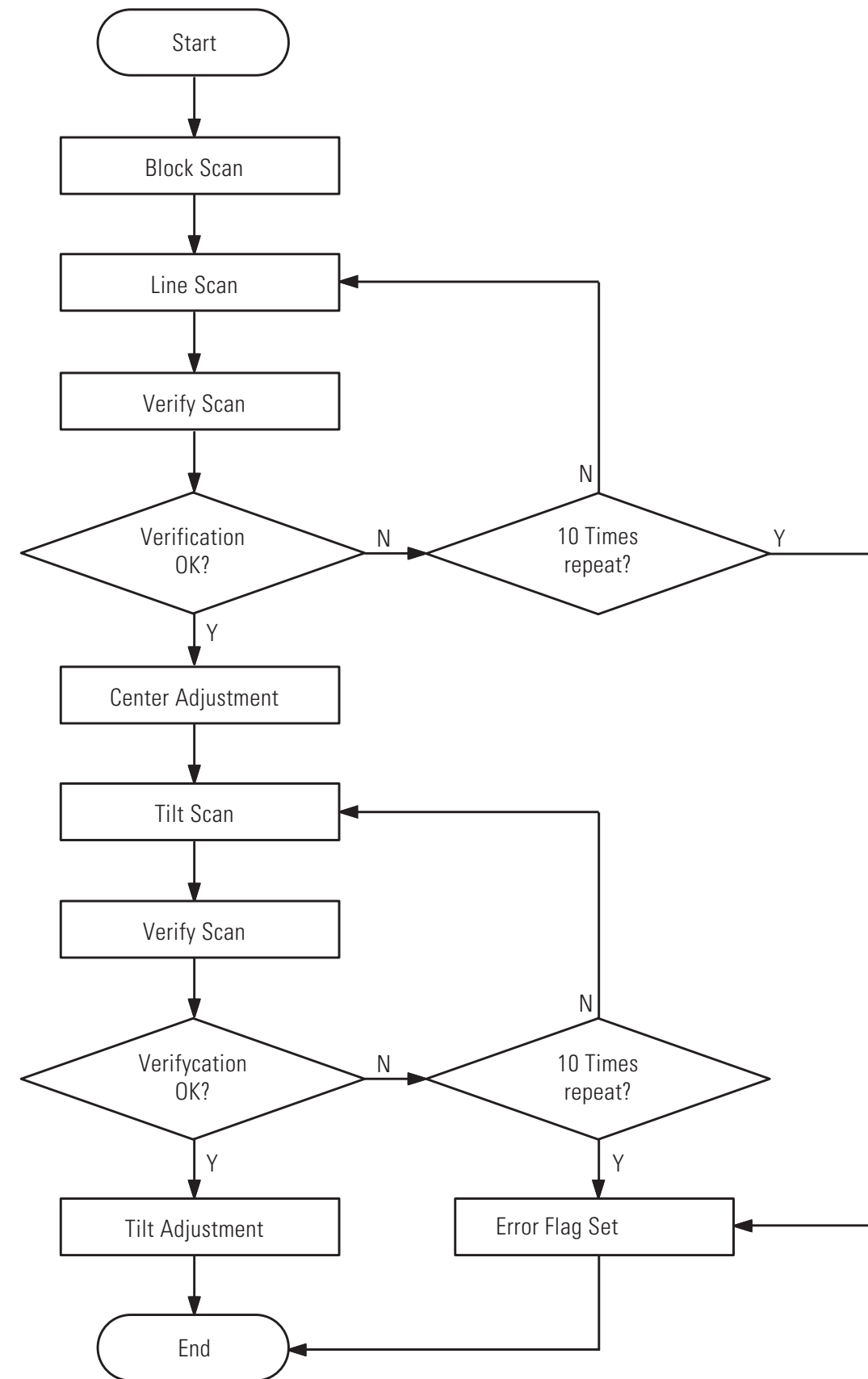
8-14 Signal Connection by Block



8-15 Auto Convergence Flow

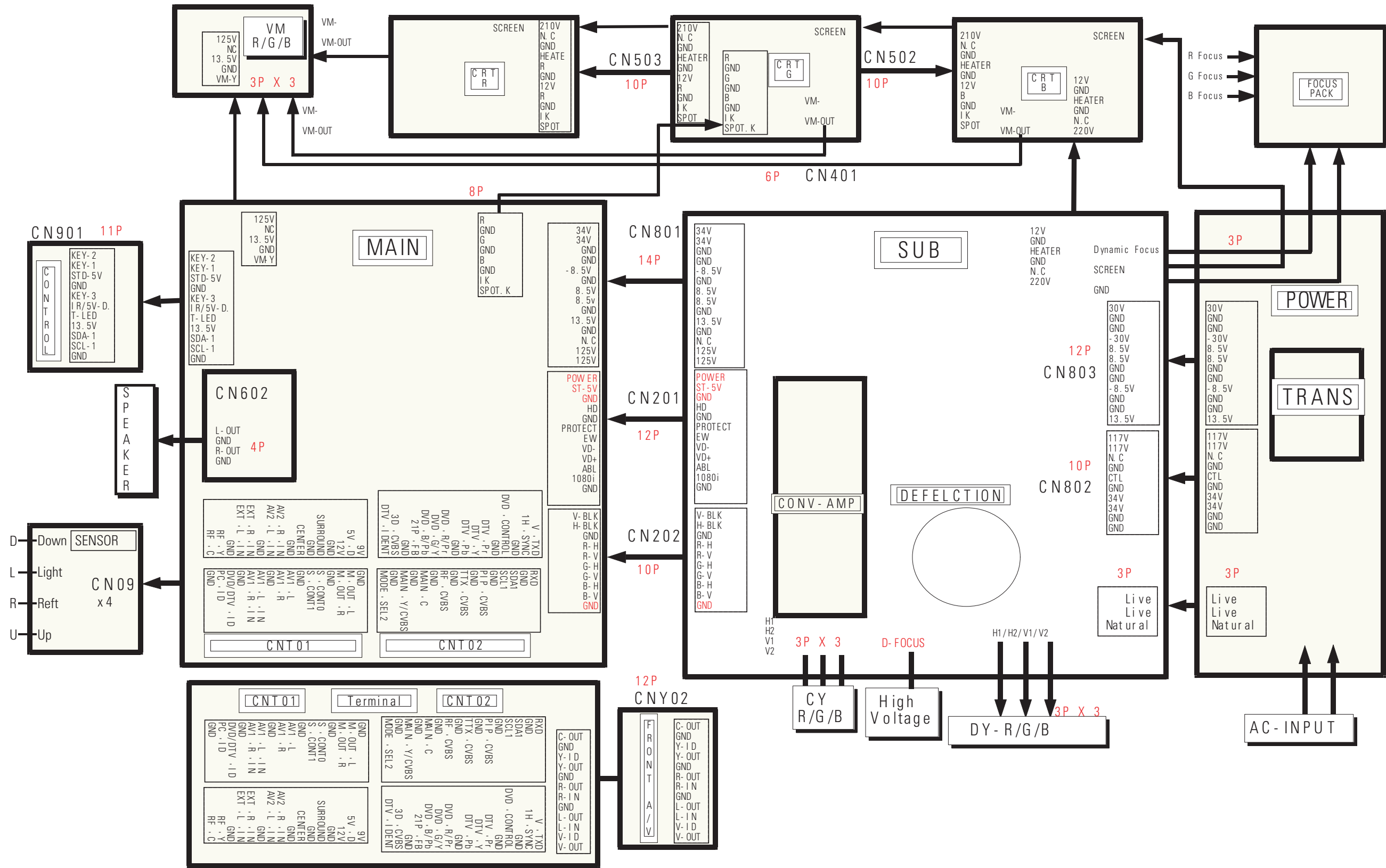


8-16 Auto Magnetic Field Adjustment Flow



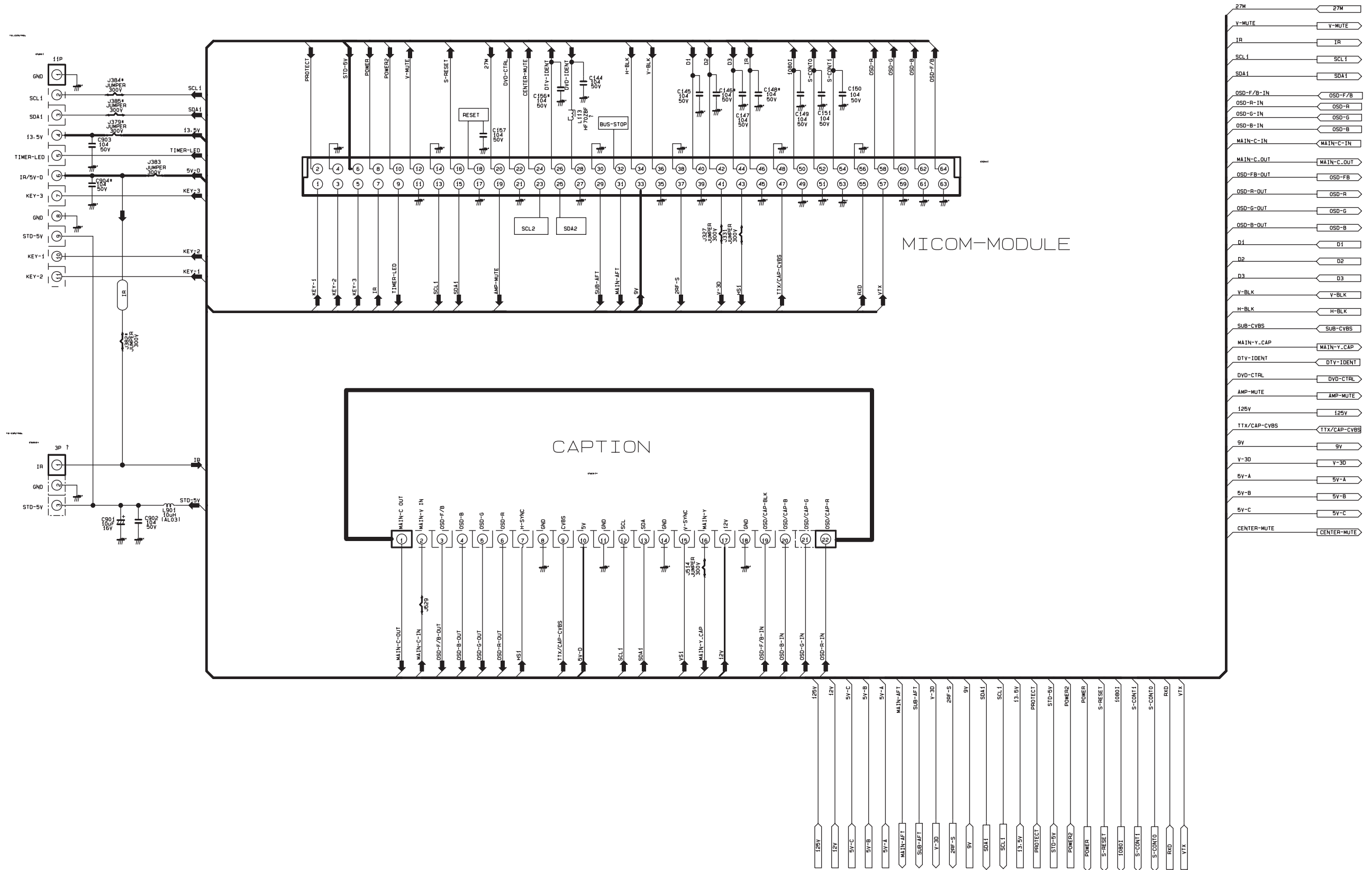
9. Wiring Diagram

9-1 Pcb Connection(Progressive)

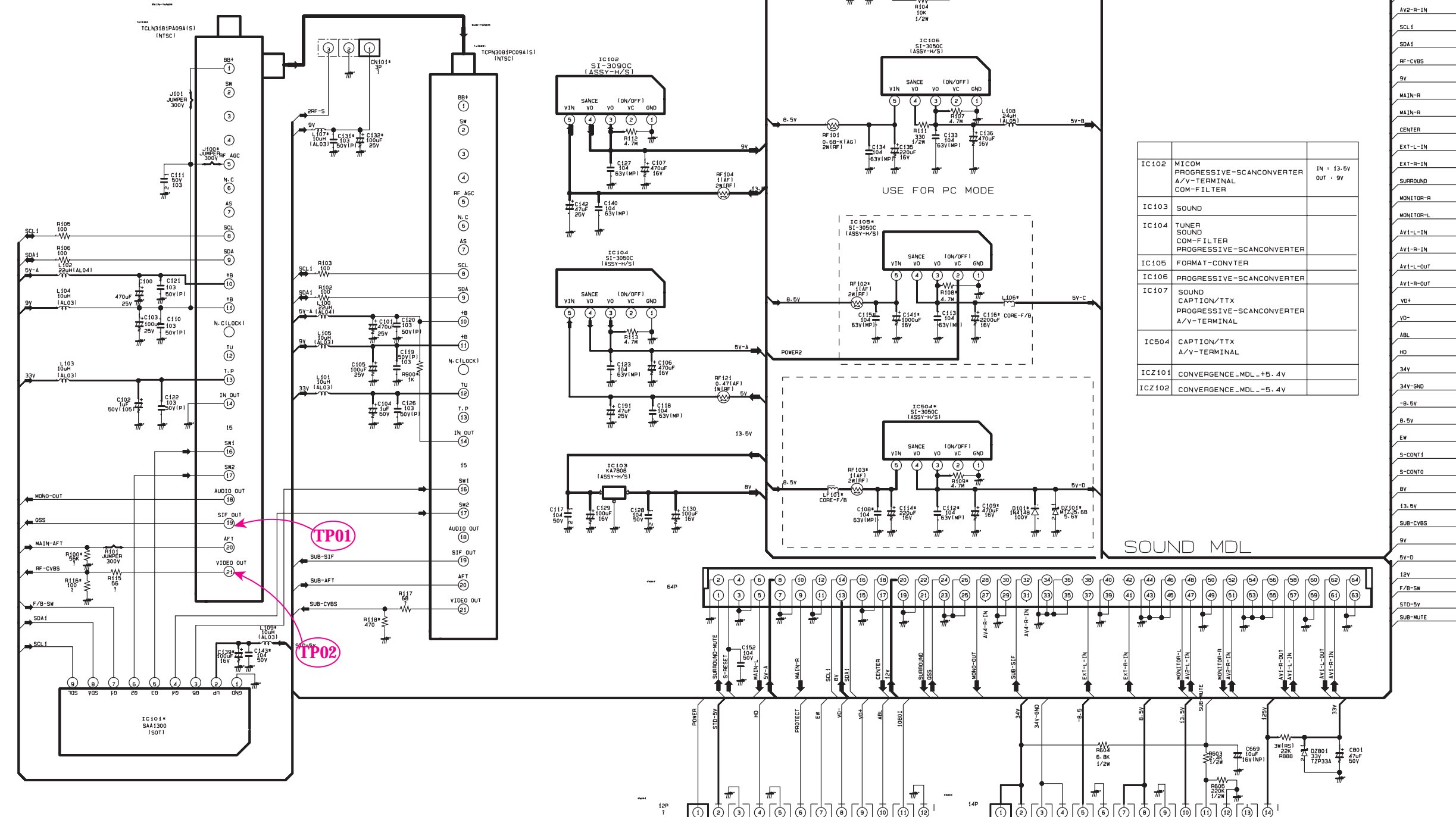
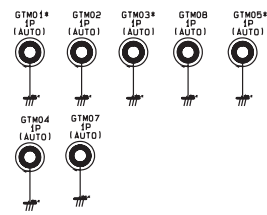


10. Schematic Diagrams

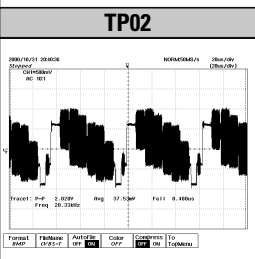
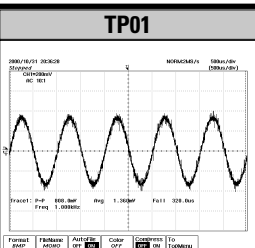
10-1 MAIN 1



10-3 MAIN 3

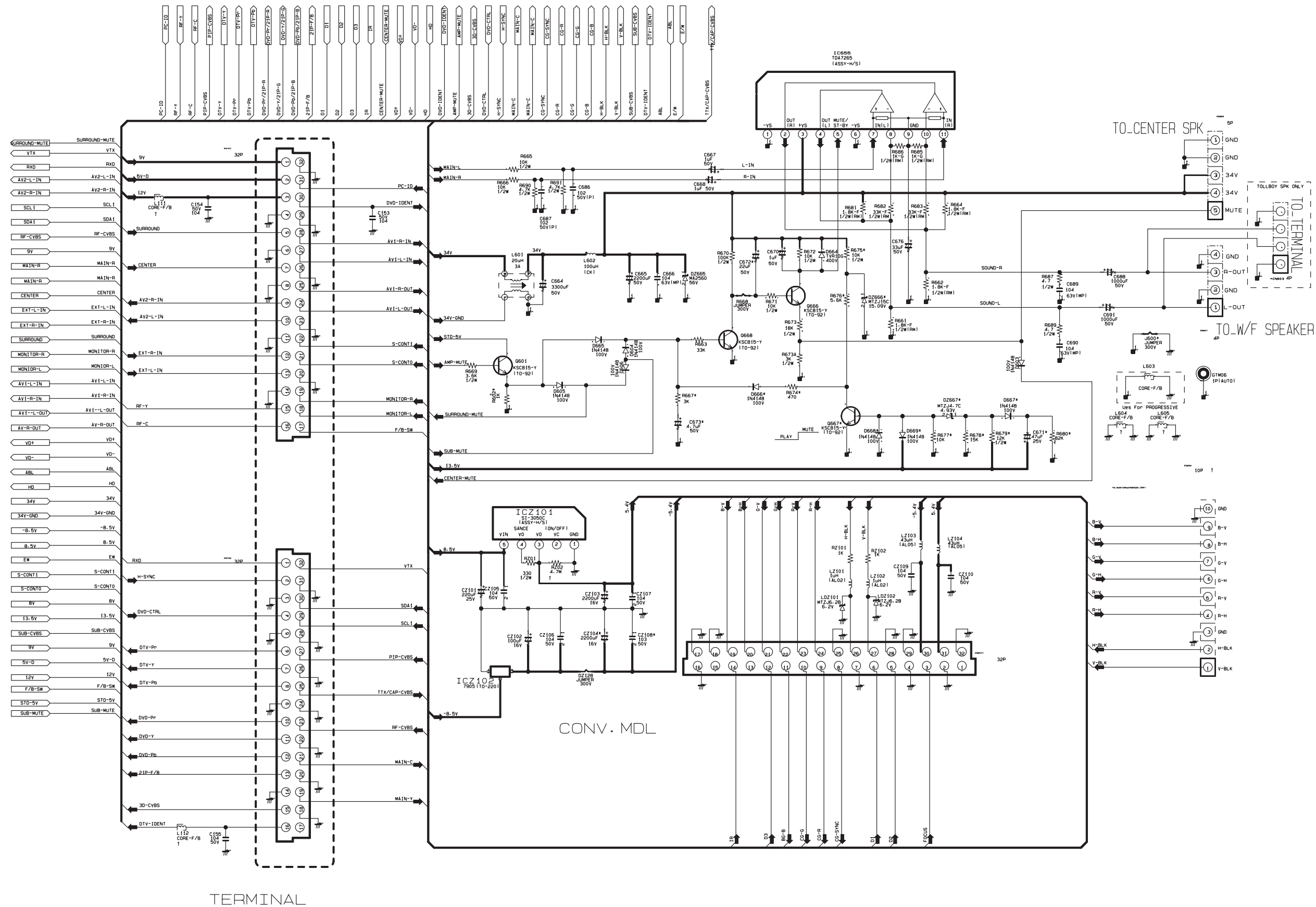


IC102	MICOM PROGRESSIVE-SCANCONVERTER A/V-TERMINAL COM-FILTER	IN : 13.5V OUT : 9V
IC103	SOUND	
IC104	TUNER SOUND COM-FILTER PROGRESSIVE-SCANCONVERTER	
IC105	FORMAT-CONVTR	
IC106	PROGRESSIVE-SCANCONVERTER	
IC107	SOUND CAPTION/TTX PROGRESSIVE-SCANCONVERTER A/V-TERMINAL	
IC504	CAPTION/TTX A/V-TERMINAL	
ICZ101	CONVERGENCE_MDL_+5.4V	
ICZ102	CONVERGENCE_MDL_-5.4V	

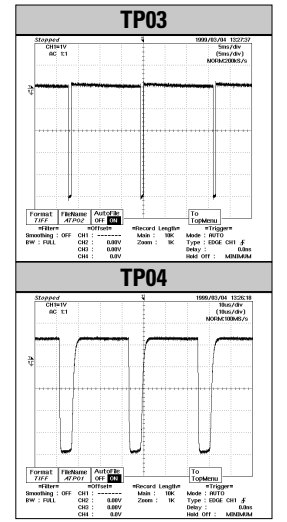
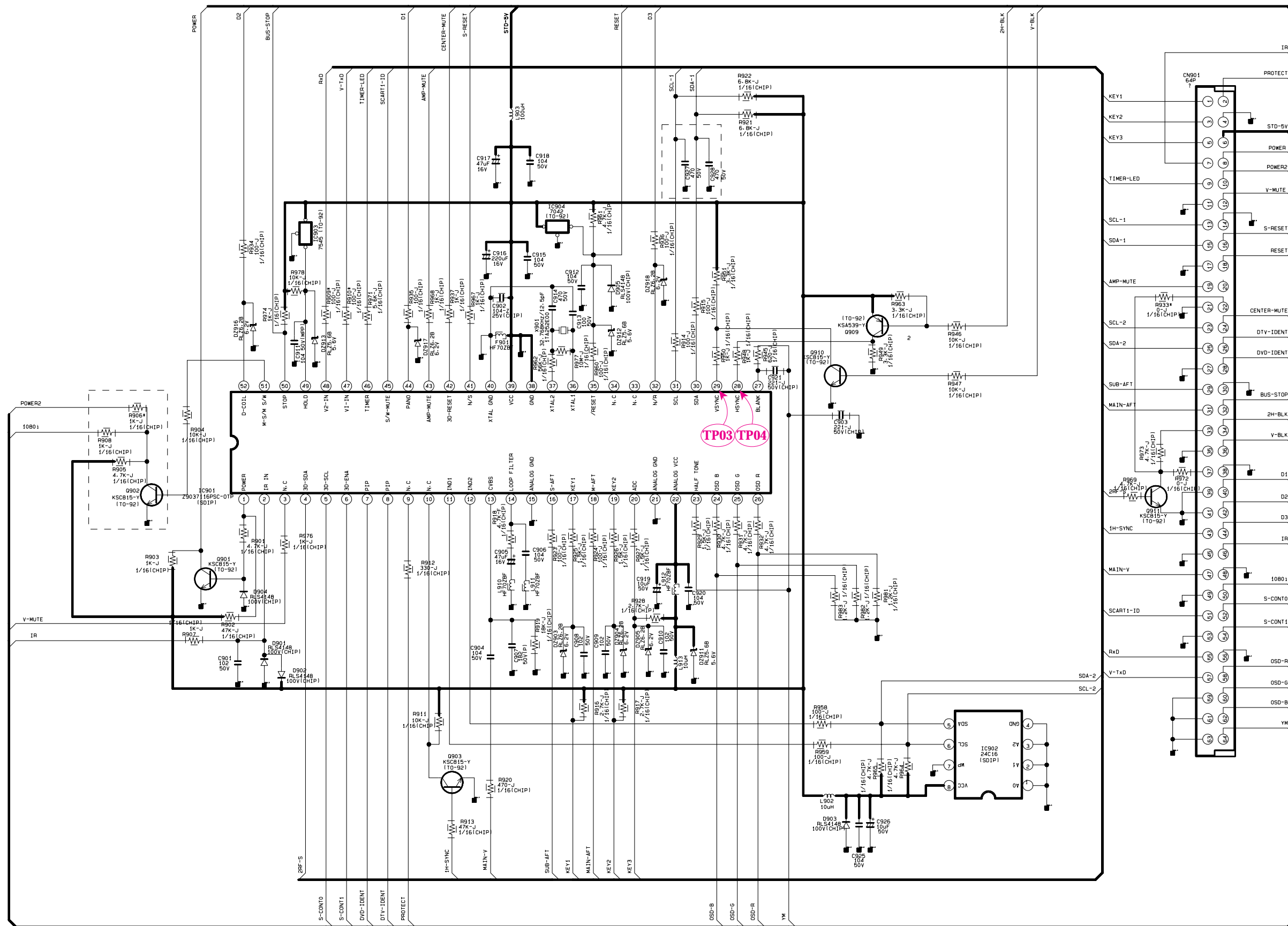


- SURROUND-MUTE
- VTX
- RXD
- AV2-L-IN
- AV2-R-IN
- SCL1
- SDA1
- RF-CVBS
- 5V
- MAIN-R
- MAIN-L
- CENTER
- EXT-L-IN
- EXT-R-IN
- SURROUND
- MONITOR-R
- MONITOR-L
- AV1-L-IN
- AV1-R-IN
- AV1-L-OUT
- AV1-R-OUT
- VD+
- ABL
- HD
- 34V
- 34V-GND
- 8.5V
- 8.5V
- EW
- S-CONT1
- S-CONT0
- BY
- 13.5V
- SUB-CVBS
- 9V
- 5V-D
- 12V
- F/B-SW
- STD-5V
- SUB-MUTE

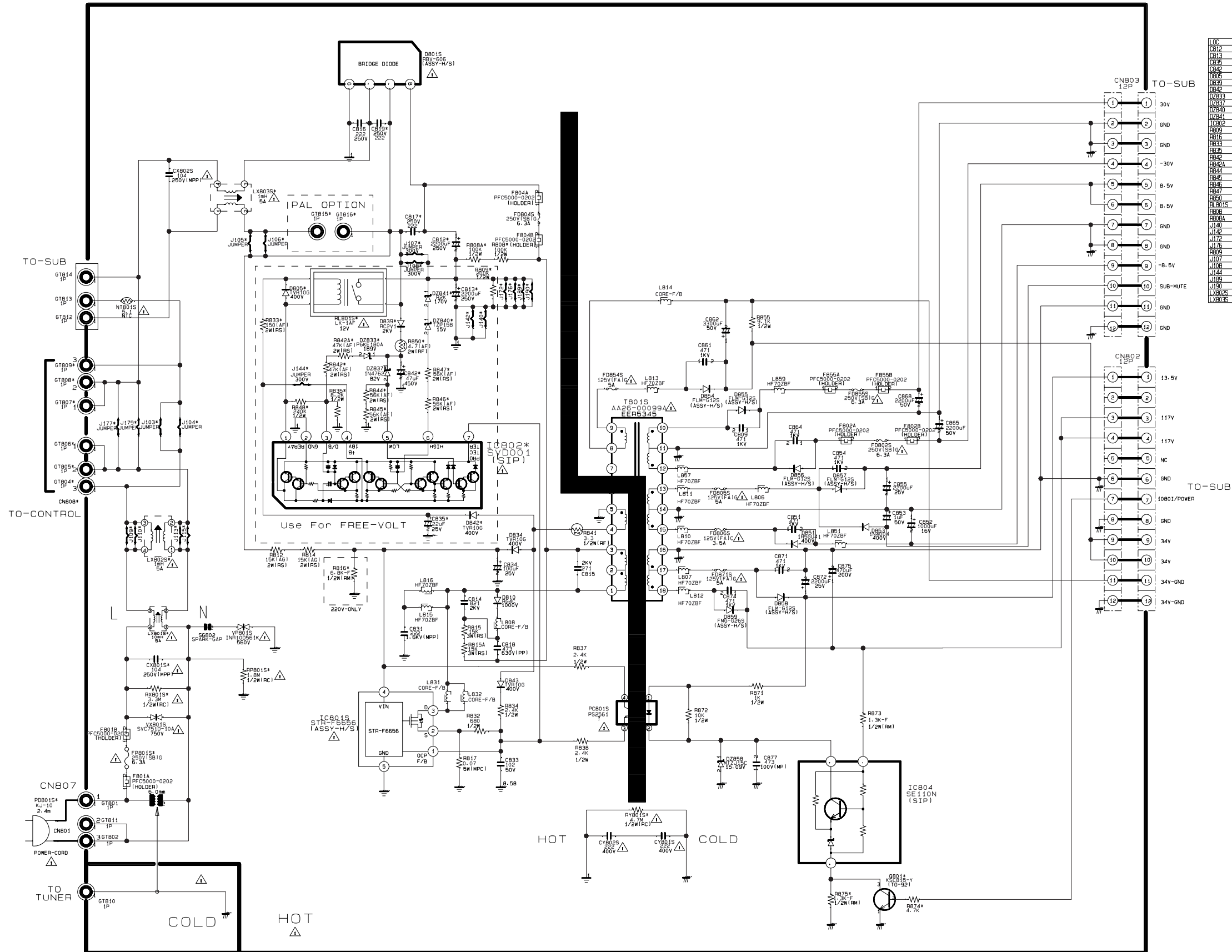
10-4 MAIN 4



10-5 MICOM

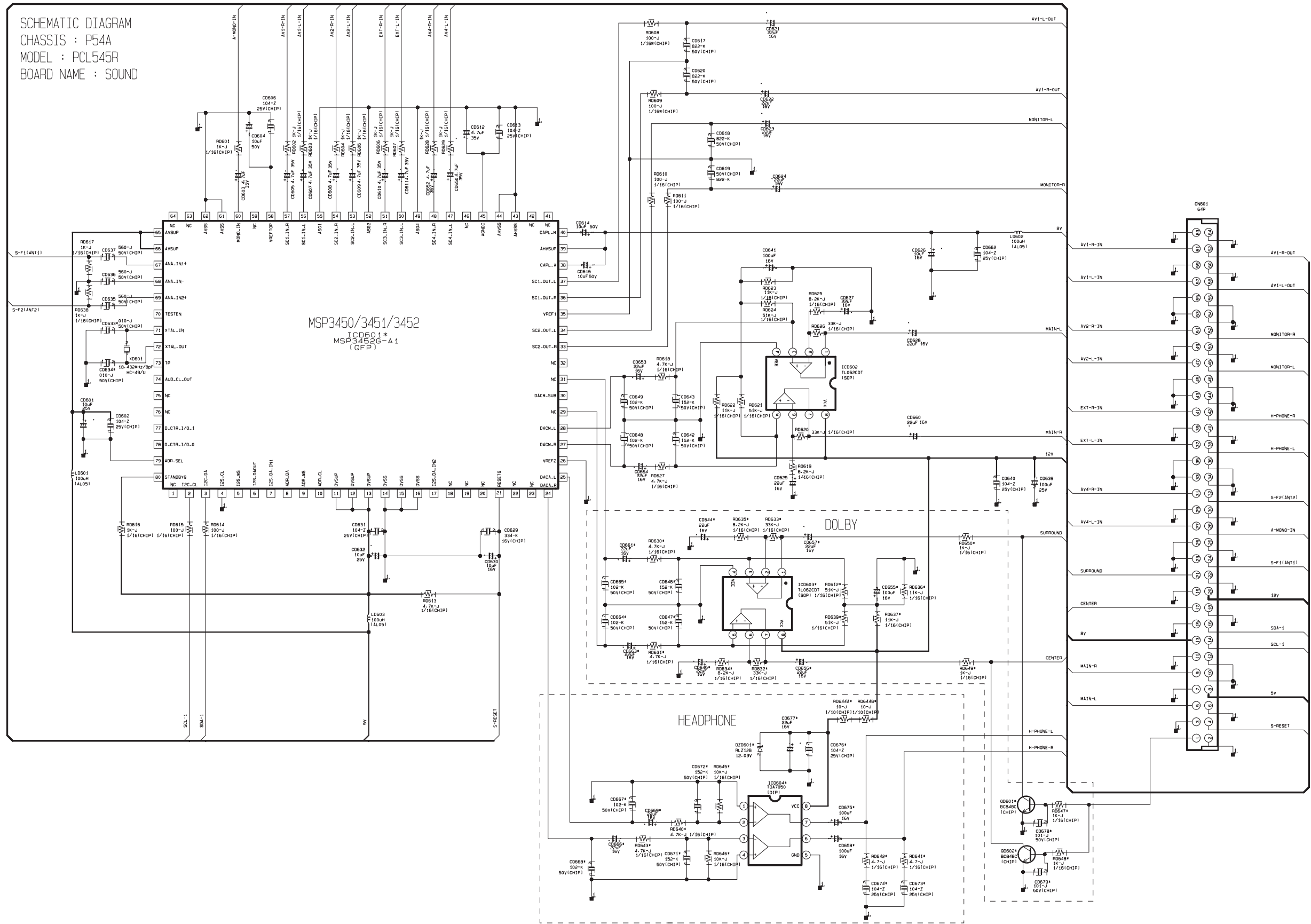


10-6 POWER

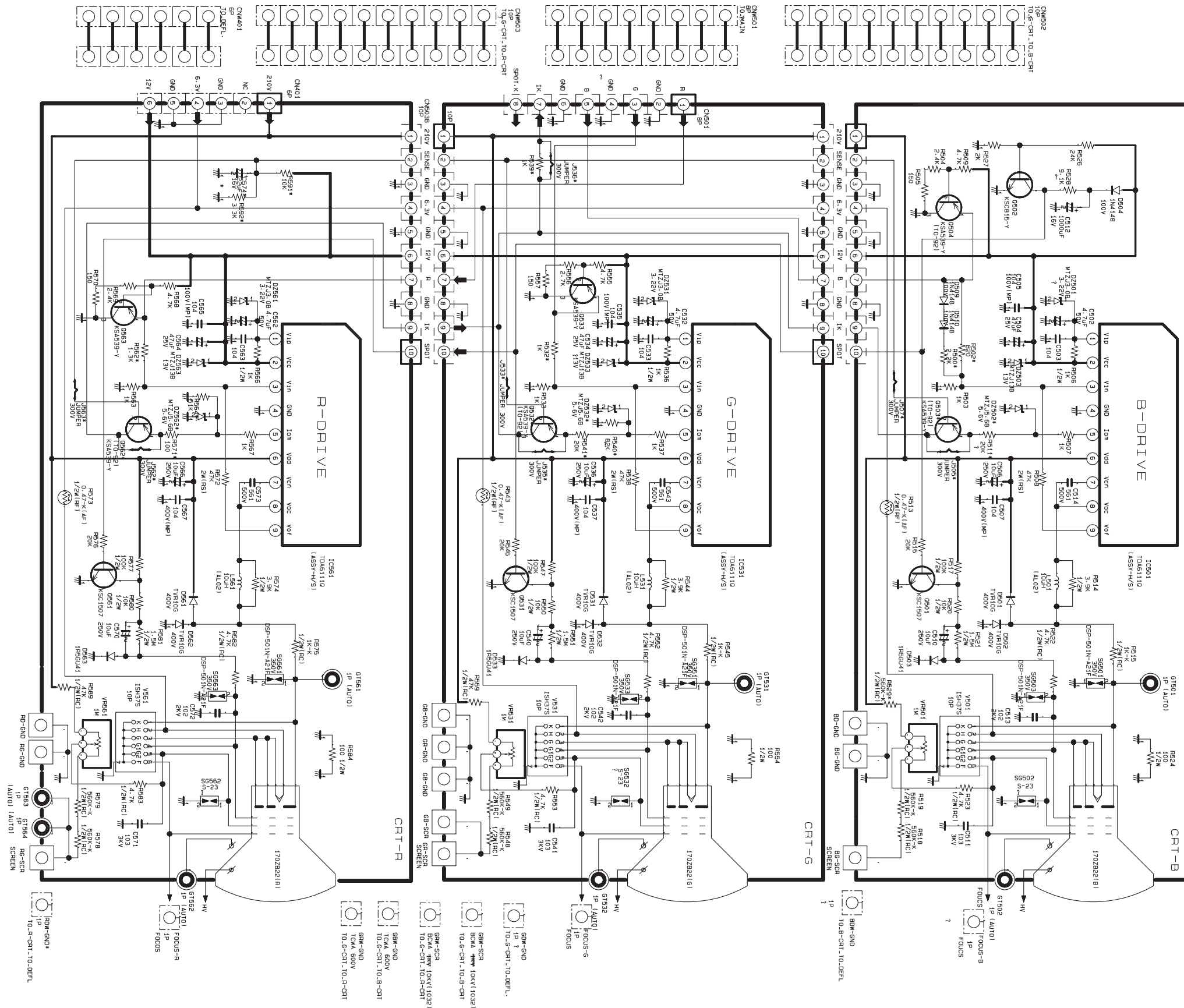


LOC	FREE	220V	120V
CB12	2401-000701 2200UF 250V	2401-003465 680UF 450V	2401-000701 2200UF 250V
CB13	2401-000701 2200UF 250V	DELETE	2401-000701 2200UF 250V
CB35	2401-000320 22UF 25V	DELETE	DELETE
CB42	2401-001310 47UF 450V	DELETE	DELETE
DB05	0402-009546 1V100G	DELETE	DELETE
DB39	0402-009243 PC2-V1	DELETE	DELETE
DB42	0402-009546 1V100G	DELETE	DELETE
DB33	0402-001007 PRC180A	DELETE	DELETE
DB37	0402-000170 IN4752	DELETE	DELETE
DB40	0402-001029 MMS290	DELETE	DELETE
DB43	0402-008891 RSK 170V	DELETE	DELETE
FB02	AA13-00033A IC-HYBRID SV0001	DELETE	DELETE
FB09	2001-000002 200K 1/2W(CARBON)	DELETE	DELETE
FB15	2004-00029 10K 1/2W-F(METAL)	2004-00029 10K 1/2W-F(METAL)	DELETE
FB33	2003-001024 150 2W(METAL)	DELETE	DELETE
FB35	2001-001188 6.2K 1/2W(CARBON)	DELETE	DELETE
FB42	2002-001040 47K 2W(METAL)	DELETE	DELETE
FB42A	2003-001040 47K 2W(METAL)	DELETE	DELETE
FB44	2003-002020 56K 2W(METAL)	DELETE	DELETE
FB45	2003-002020 56K 2W(METAL)	DELETE	DELETE
FB46	2003-002020 56K 2W(METAL)	DELETE	DELETE
FB47	2003-002020 56K 2W(METAL)	DELETE	DELETE
FB60	2008-001079 4.7 2W HF FUS(BLZ)	DELETE	DELETE
FB61S	2001-001040 RELAY-POWER 120V	DELETE	DELETE
FB39	2001-000095 100K 1/2W(CARBON)	2001-000002 200K 1/2W(CARBON)	2001-000095 100K 1/2W(CARBON)
FB08A	2001-000095 100K 1/2W(CARBON)	2001-000002 200K 1/2W(CARBON)	2001-000095 100K 1/2W(CARBON)
J140	3812-000219 JUMPER	DELETE	3812-000219 JUMPER
J142	3812-000219 JUMPER	DELETE	3812-000219 JUMPER
J172	DELETE	3812-000219 JUMPER	DELETE
J176	DELETE	3812-000219 JUMPER	DELETE
FB09	2001-000002 200K 1/2W(CARBON)	DELETE	2001-000002 200K 1/2W(CARBON)
J107	DELETE	DELETE	3812-000219 JUMPER
J108	DELETE	DELETE	3812-000219 JUMPER
J144	3812-000219 JUMPER	DELETE	DELETE
J169	DELETE	3812-000219 JUMPER	DELETE
J190	DELETE	3812-000219 JUMPER	DELETE
LX802S	AA23-30002M 1MH 5A	AA23-30002F 6MH 2.5A	AA23-30002M 1MH 5A
LX803S	AA23-30002M 1MH 5A	AA23-00008A 6MH 3A	AA23-30002M 1MH 5A

10-7 SOUND

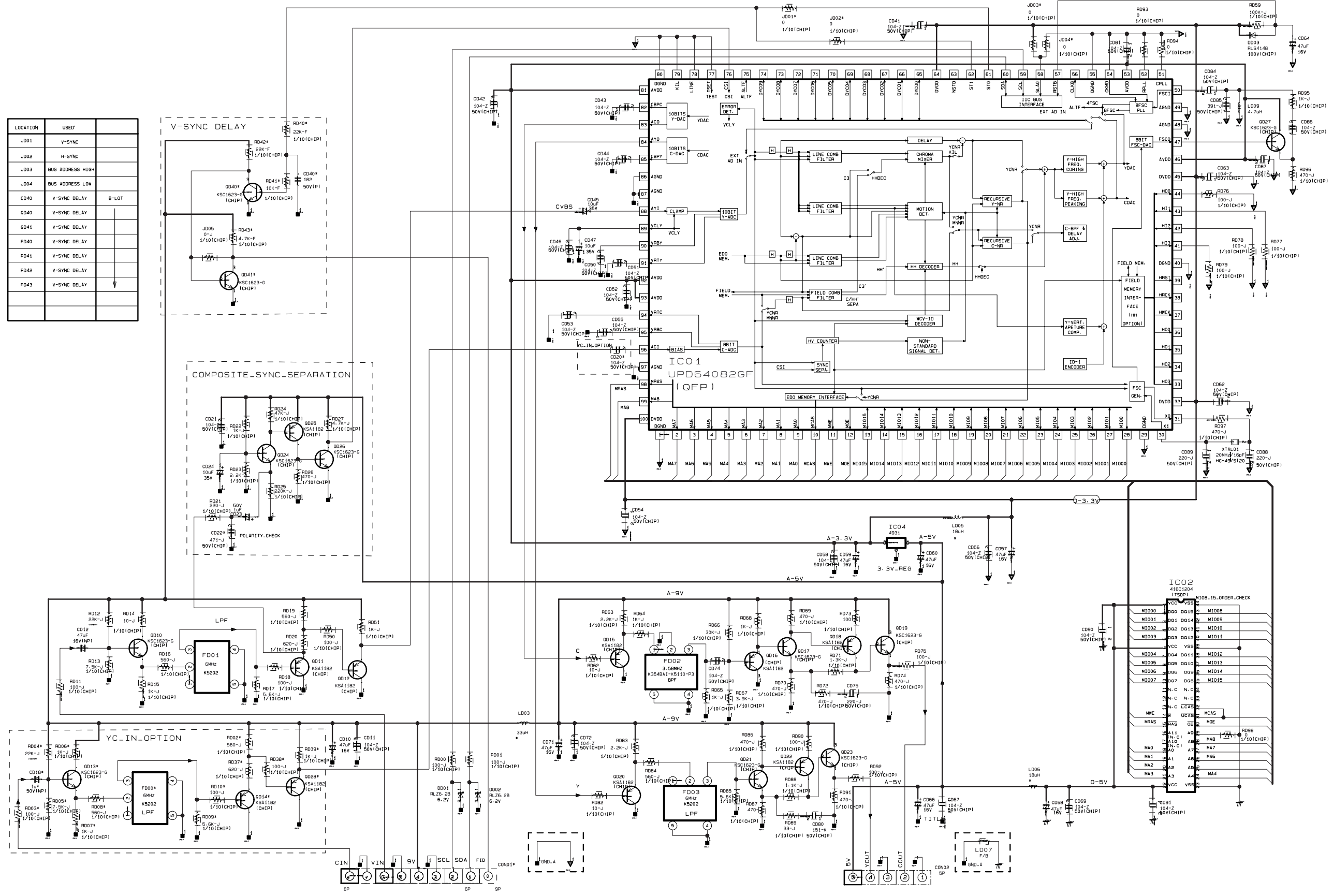


10-8 CRT



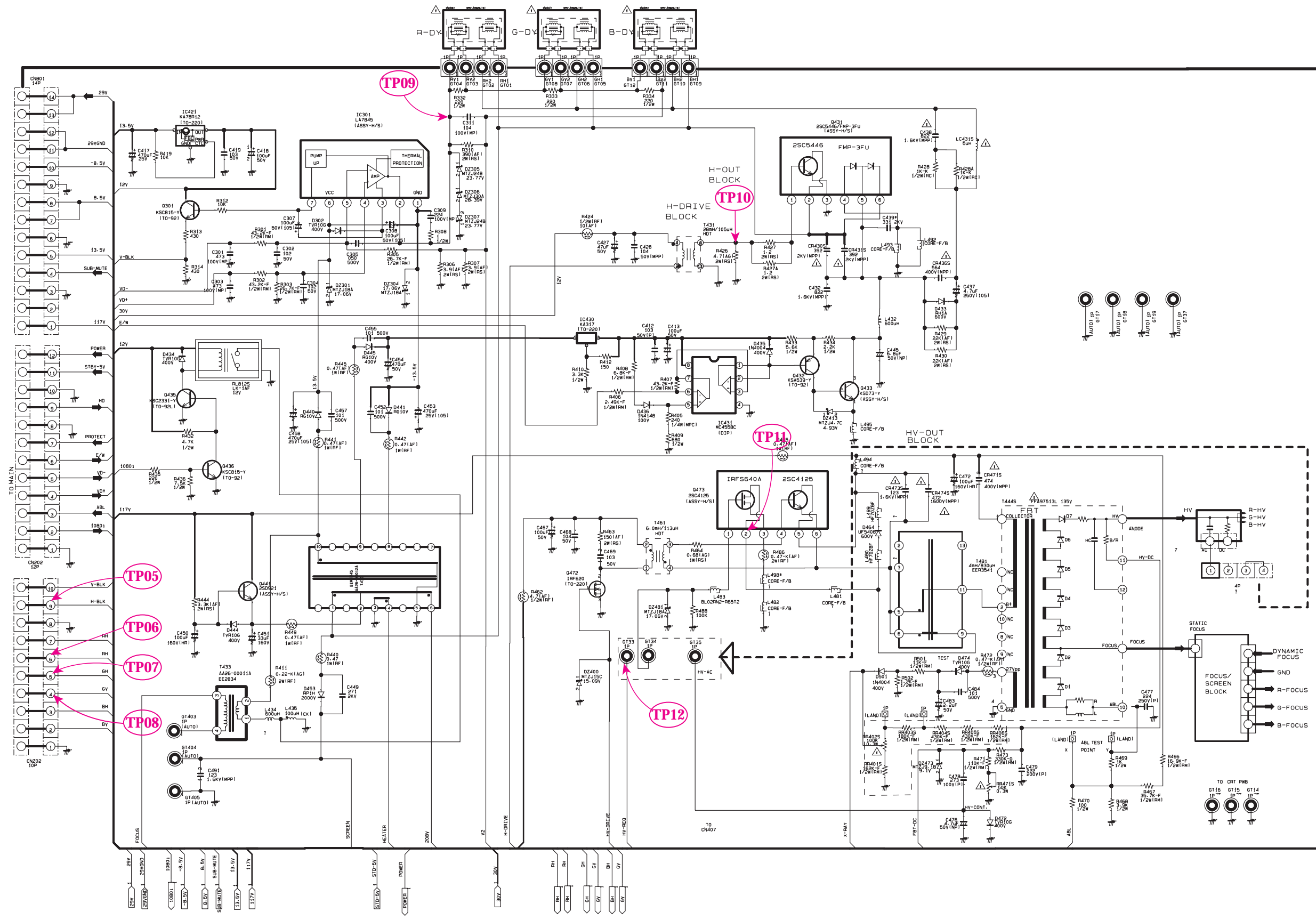
LOC	J51A	J51B
C574	DELETE	22UF .16V
J535	JUMPER	DELETE
J536	JUMPER	DELETE
J562	JUMPER	DELETE
Q503	DELETE	KSA539
Q532	DELETE	KSA539
Q562	DELETE	KSA539
R539	DELETE	1K .1/BW
DZ502	MTZ5.6B	DELETE
R511	20K .1/BW	JUMPER
J505	JUMPER	DELETE
J507	DELETE	JUMPER
R540	82K .1/BW	DELETE
DZ532	MTZ5.6B	DELETE
J533	DELETE	JUMPER
R571	100 .1/BW	JUMPER
R564	51K .1/BW	DELETE
DZ562	MTZ5.6B	DELETE
J563	DELETE	JUMPER
R591	DELETE	10K .1/BW
R592	DELETE	3.3K .1/BW
R502	910 .1/BW	1K .1/BW
R532	820 .1/BW	1K .1/BW
R500	2.2K .1/BW	1.2K .1/BW
R529	560K .1/2W	47K .1/2W

10-9 3D COMB

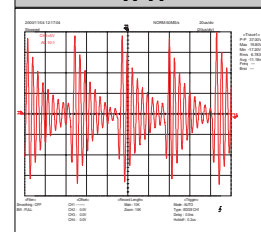
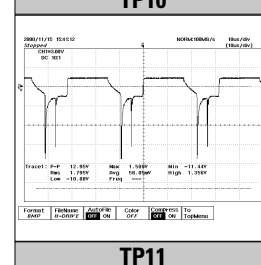
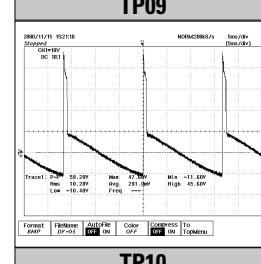
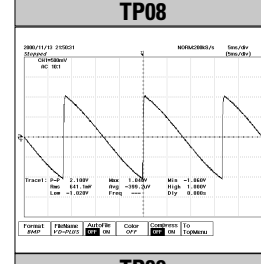
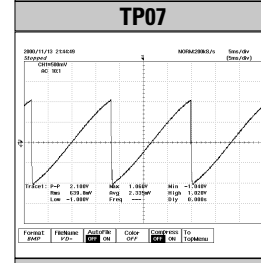
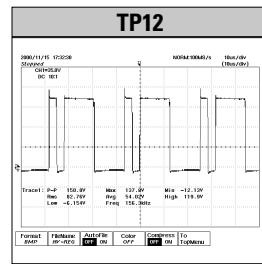
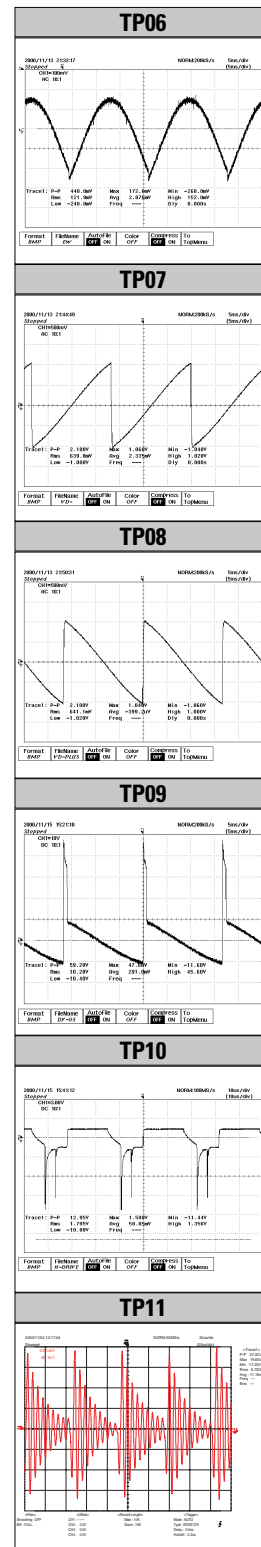


LOCATION	USED	
J001	V-SYNC	
J002	H-SYNC	
J003	BUS ADDRESS HIGH	
J004	BUS ADDRESS LOW	
CD40	V-SYNC DELAY	B-LOT
GD40	V-SYNC DELAY	
GD41	V-SYNC DELAY	
RD40	V-SYNC DELAY	
RD41	V-SYNC DELAY	
RD42	V-SYNC DELAY	
RD43	V-SYNC DELAY	

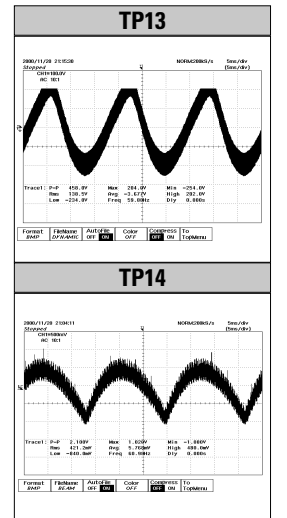
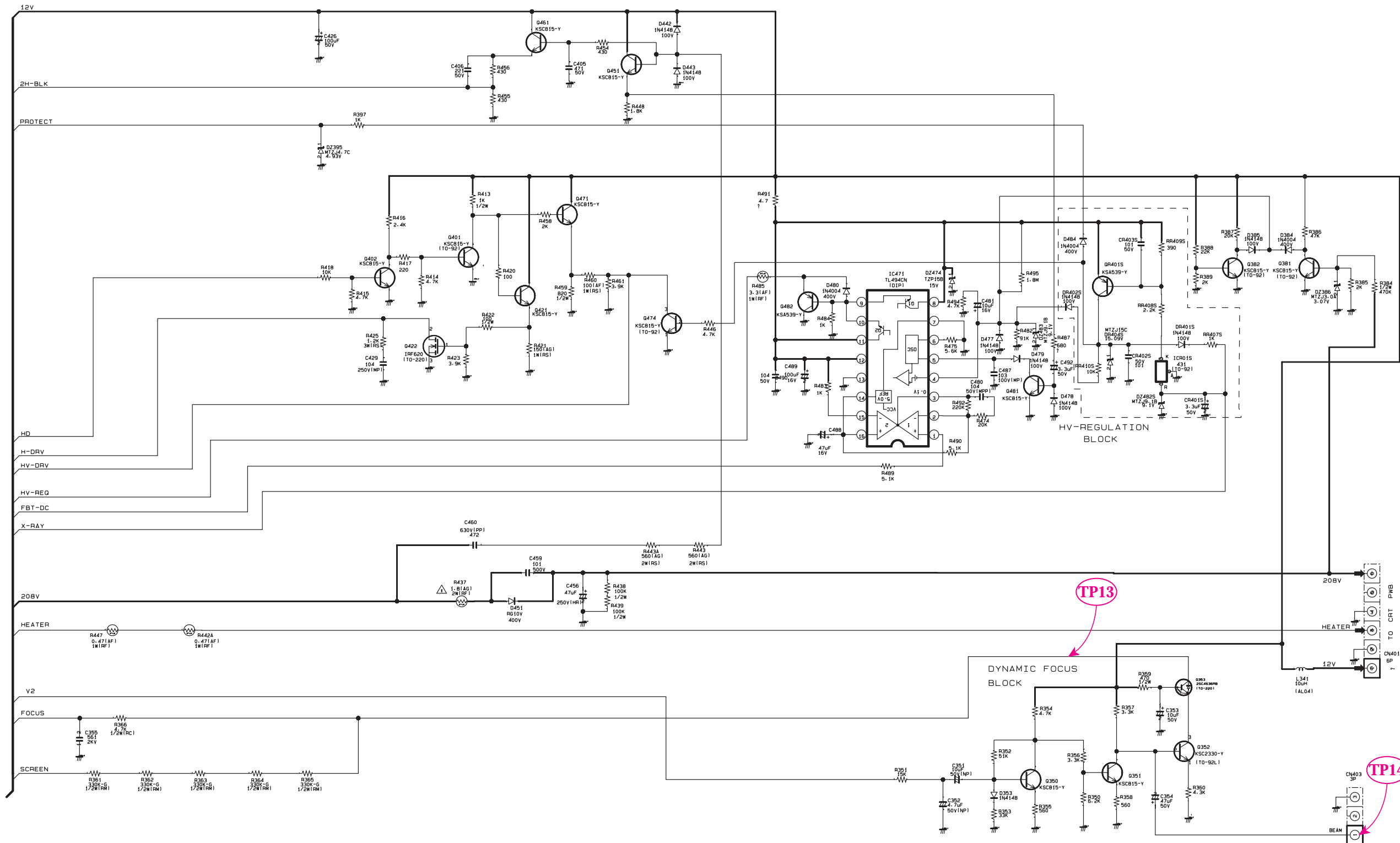
10-10 SUB 1



10-10-1 SUB 1 WAVEFORMS



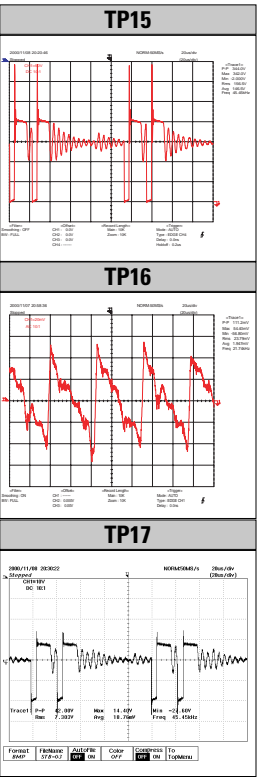
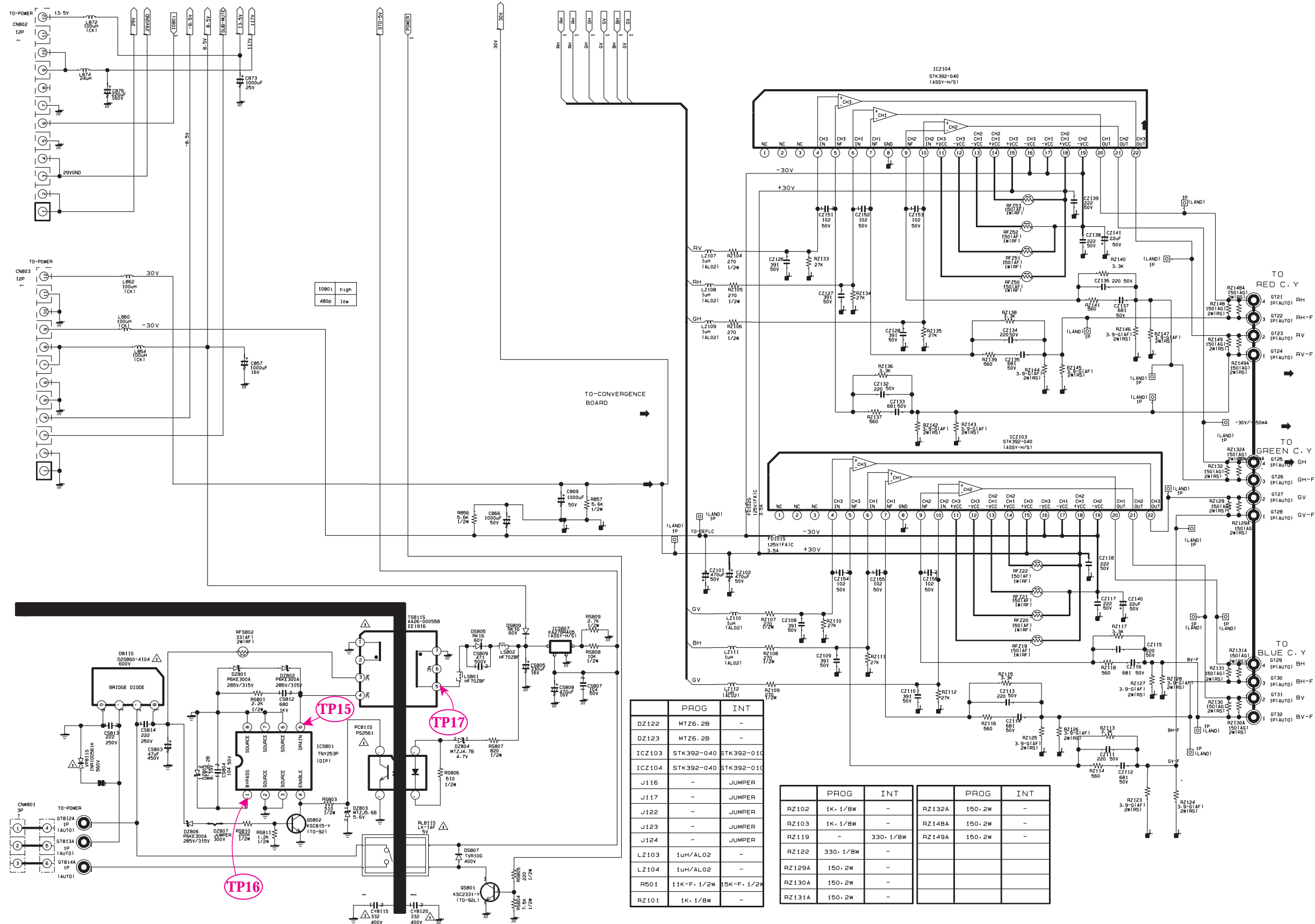
10-11 SUB 2



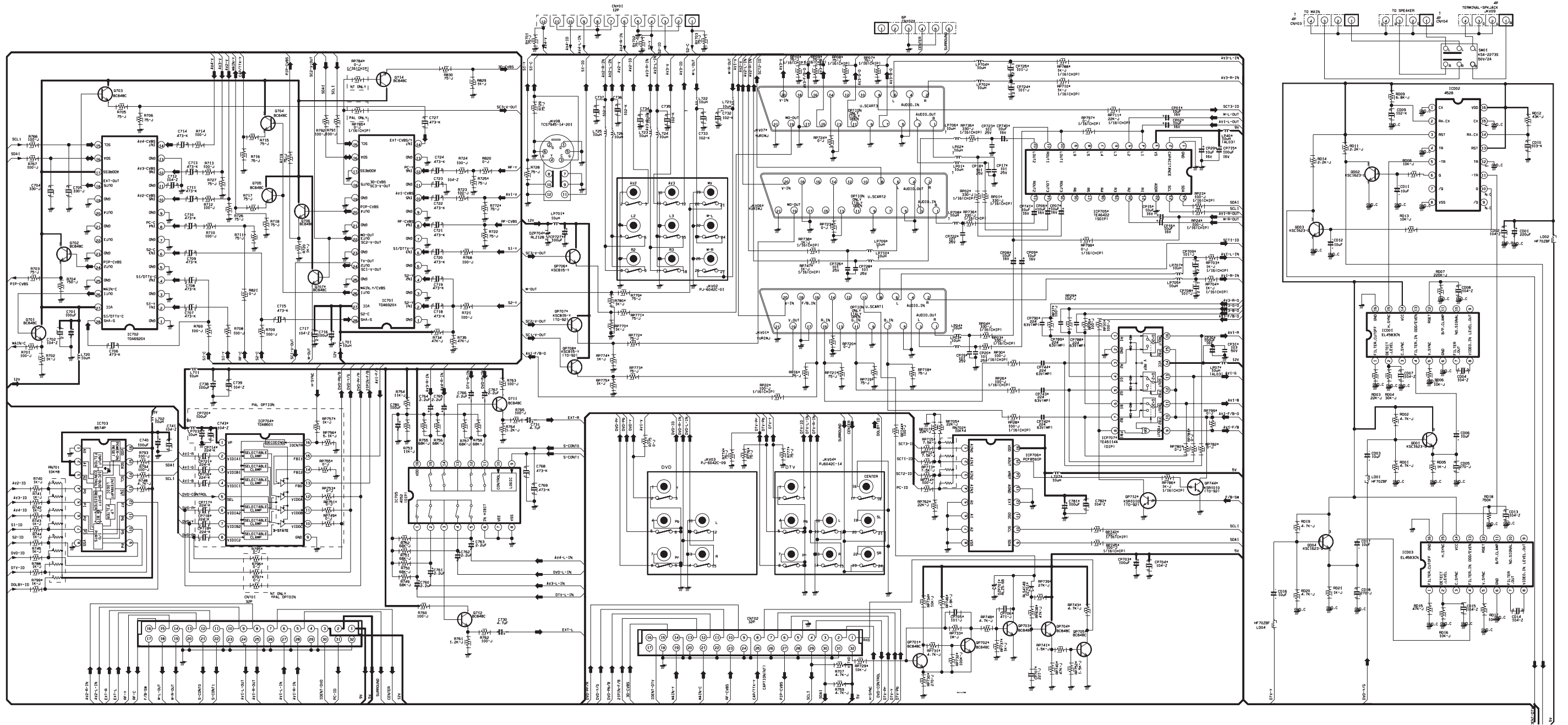
TP13

TP14

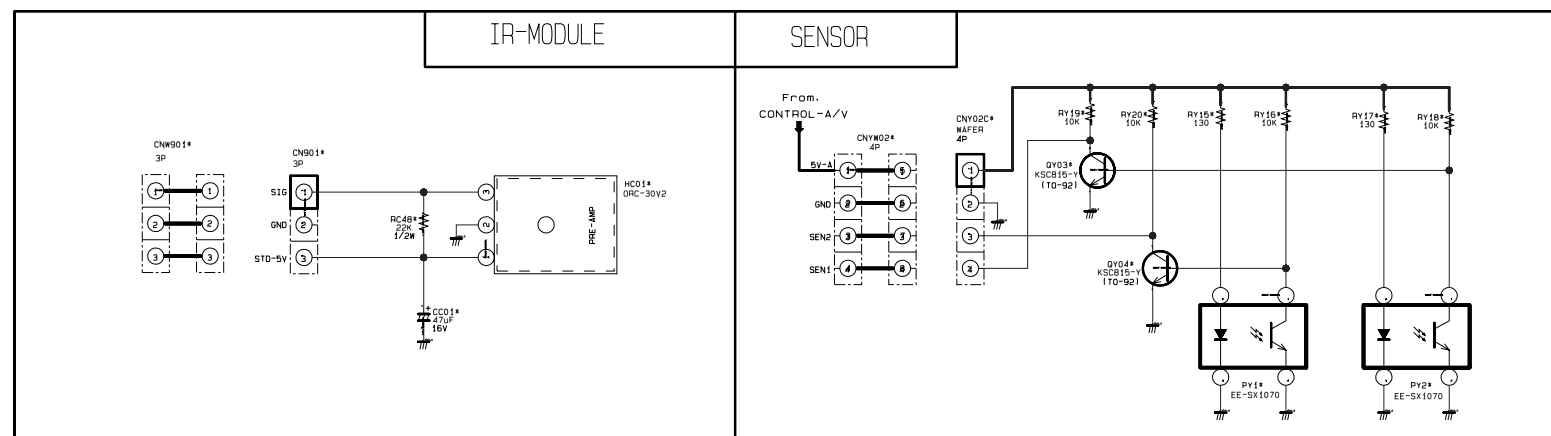
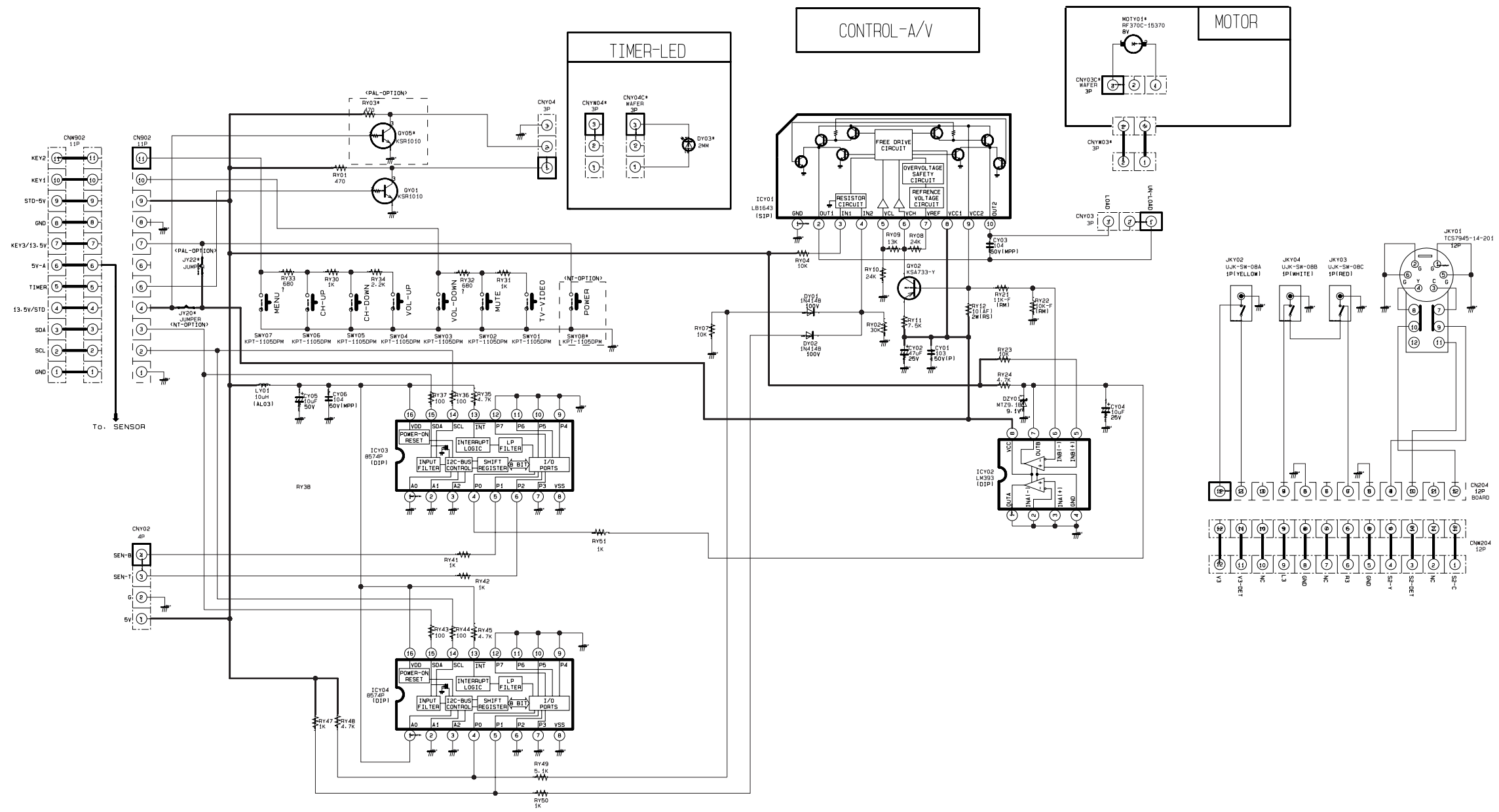
10-12 SUB 3



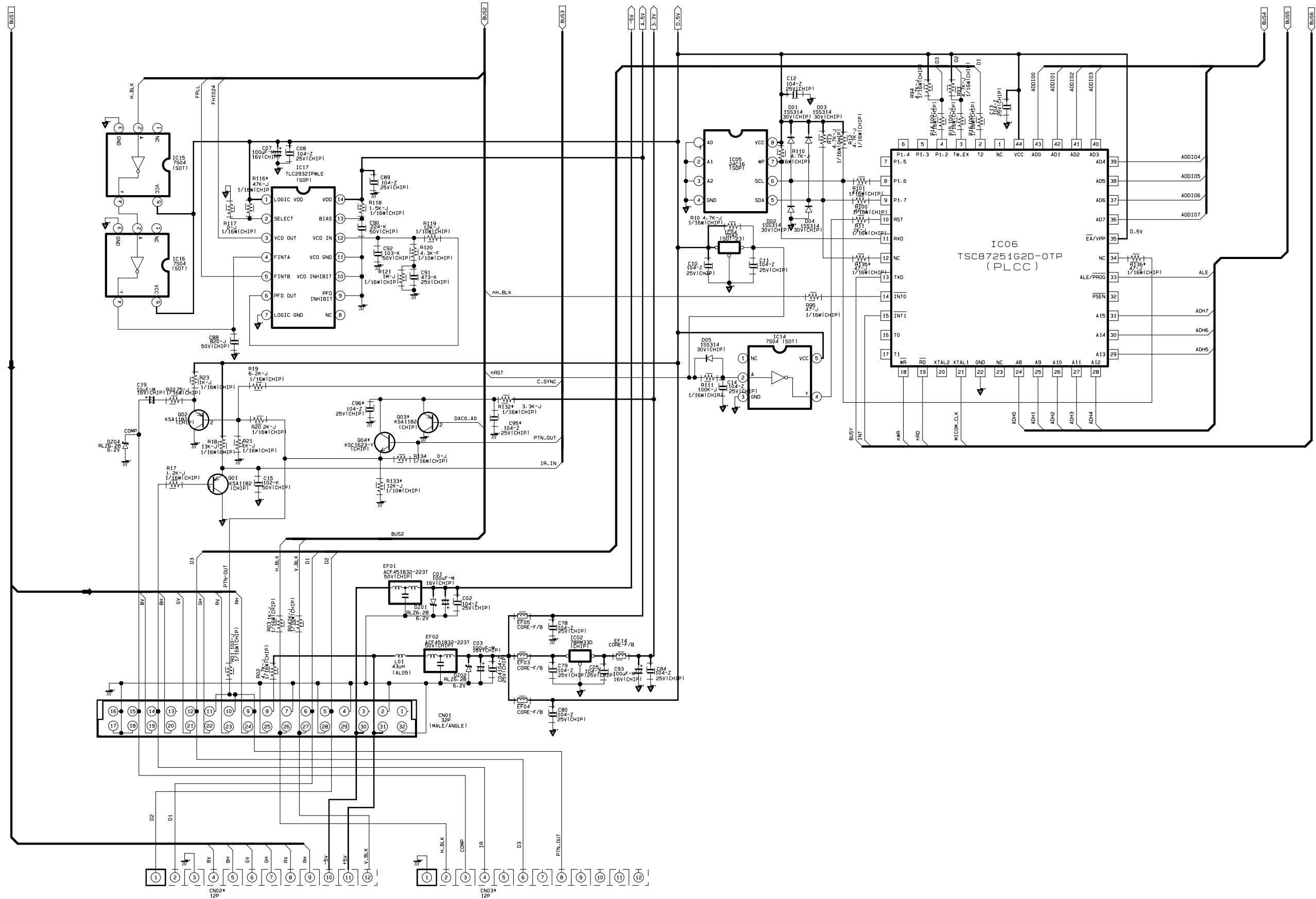
10-13 A/V TERMINAL



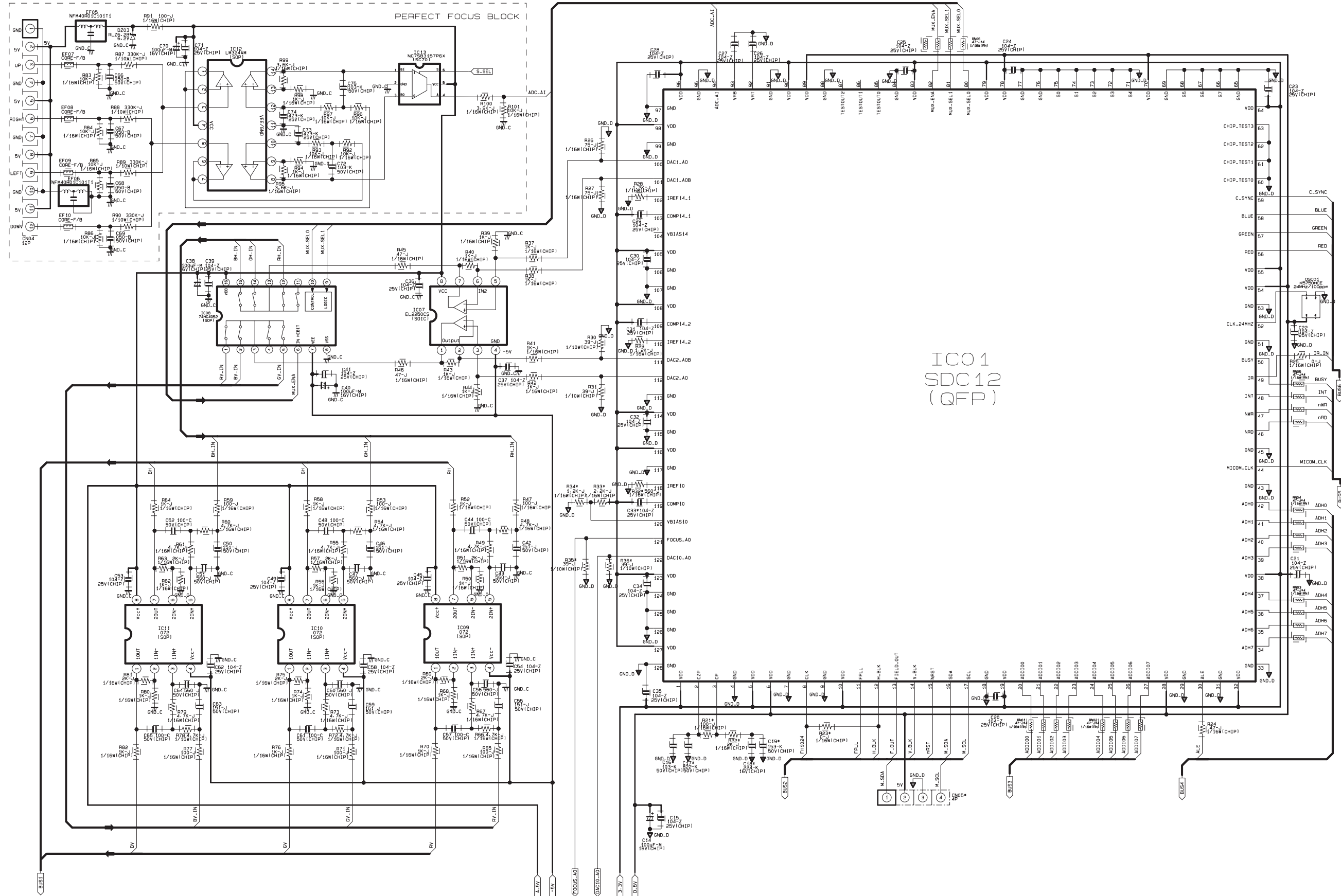
10-14 AV CONTROL



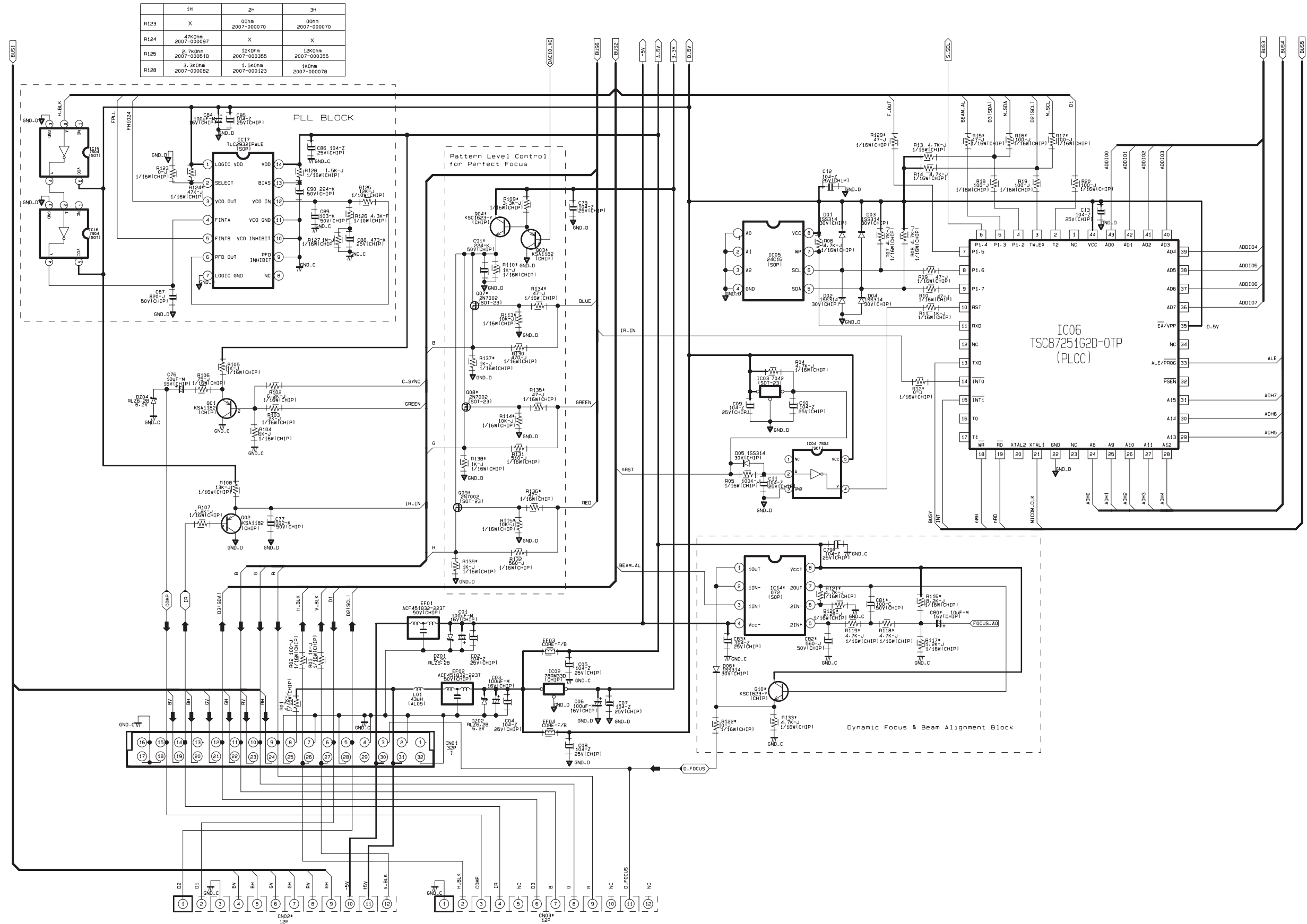
10-16 CONVERGENCE (SDC11 - 2)



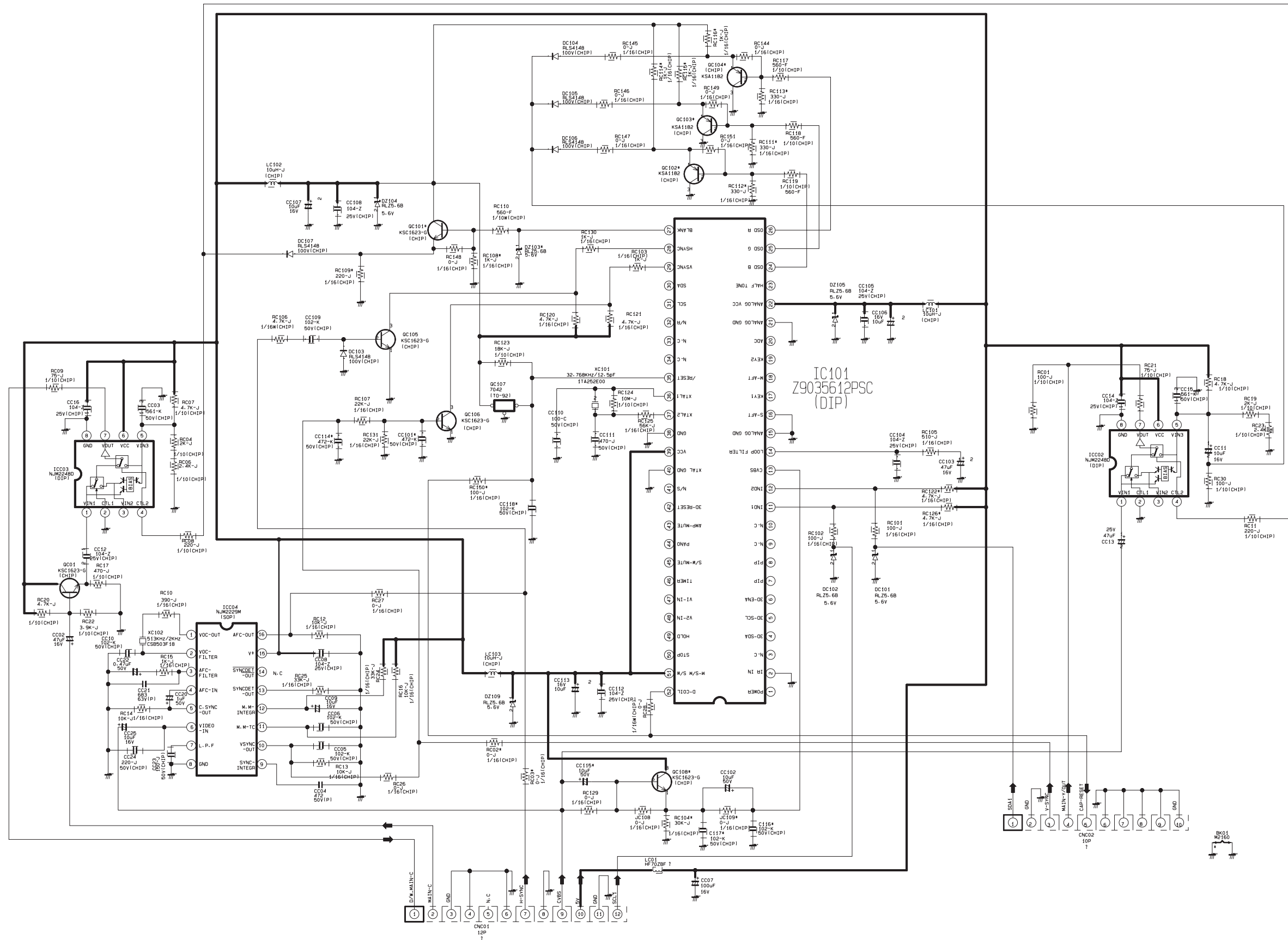
10-17 CONVERGENCE (SDC112- 2)



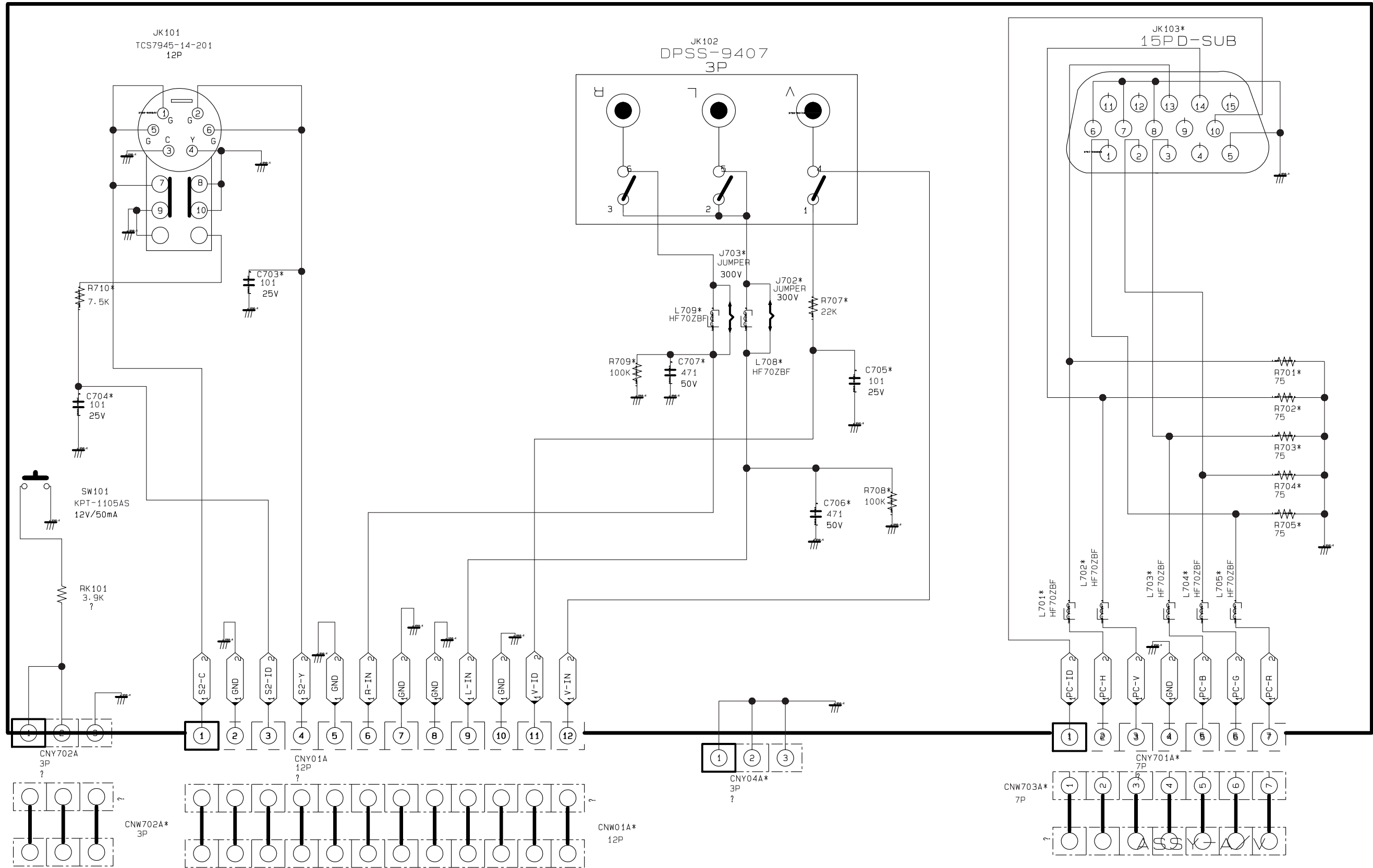
10-18 CONVERGENCE (SDC12 - 2)



10-19 CAPTION

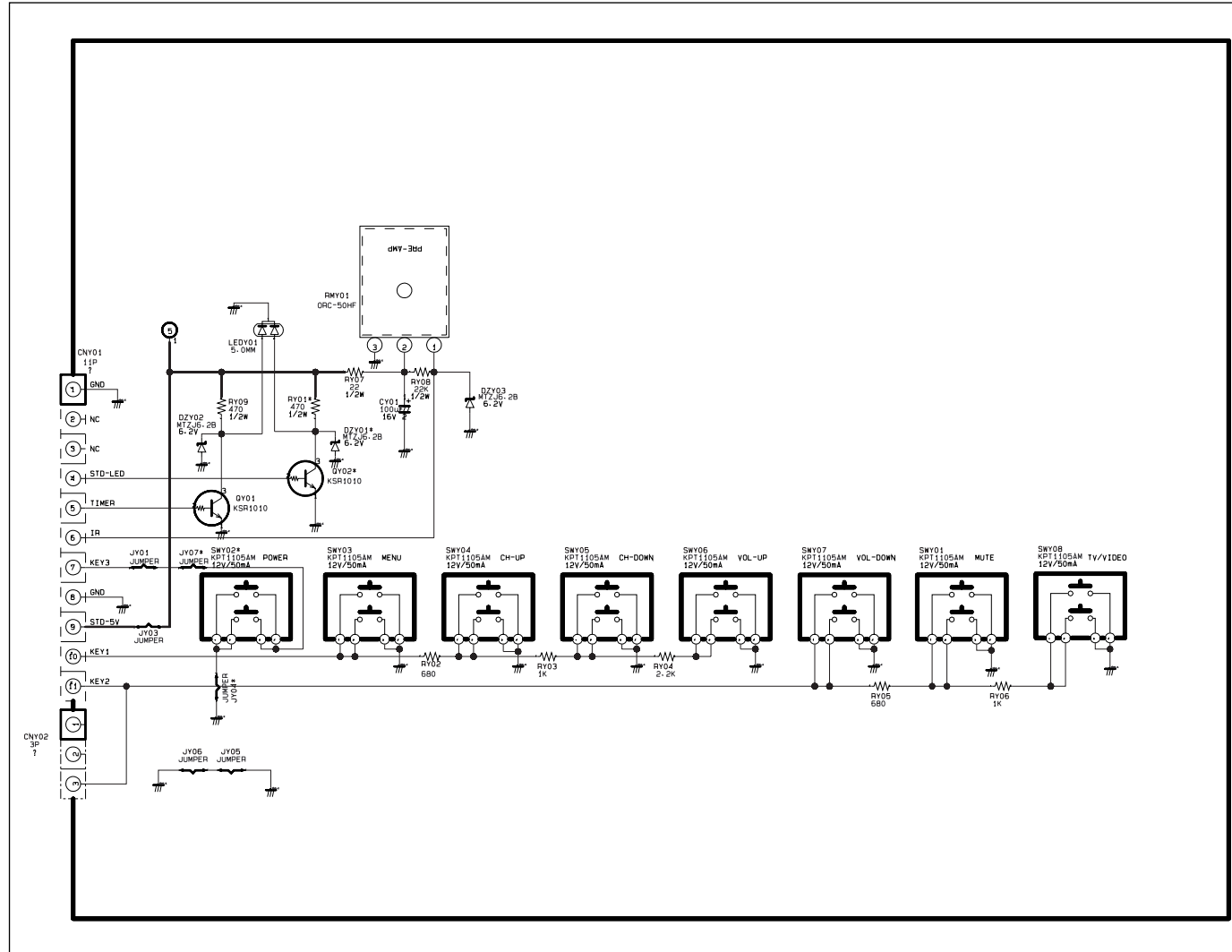


10-20 AV FRONT

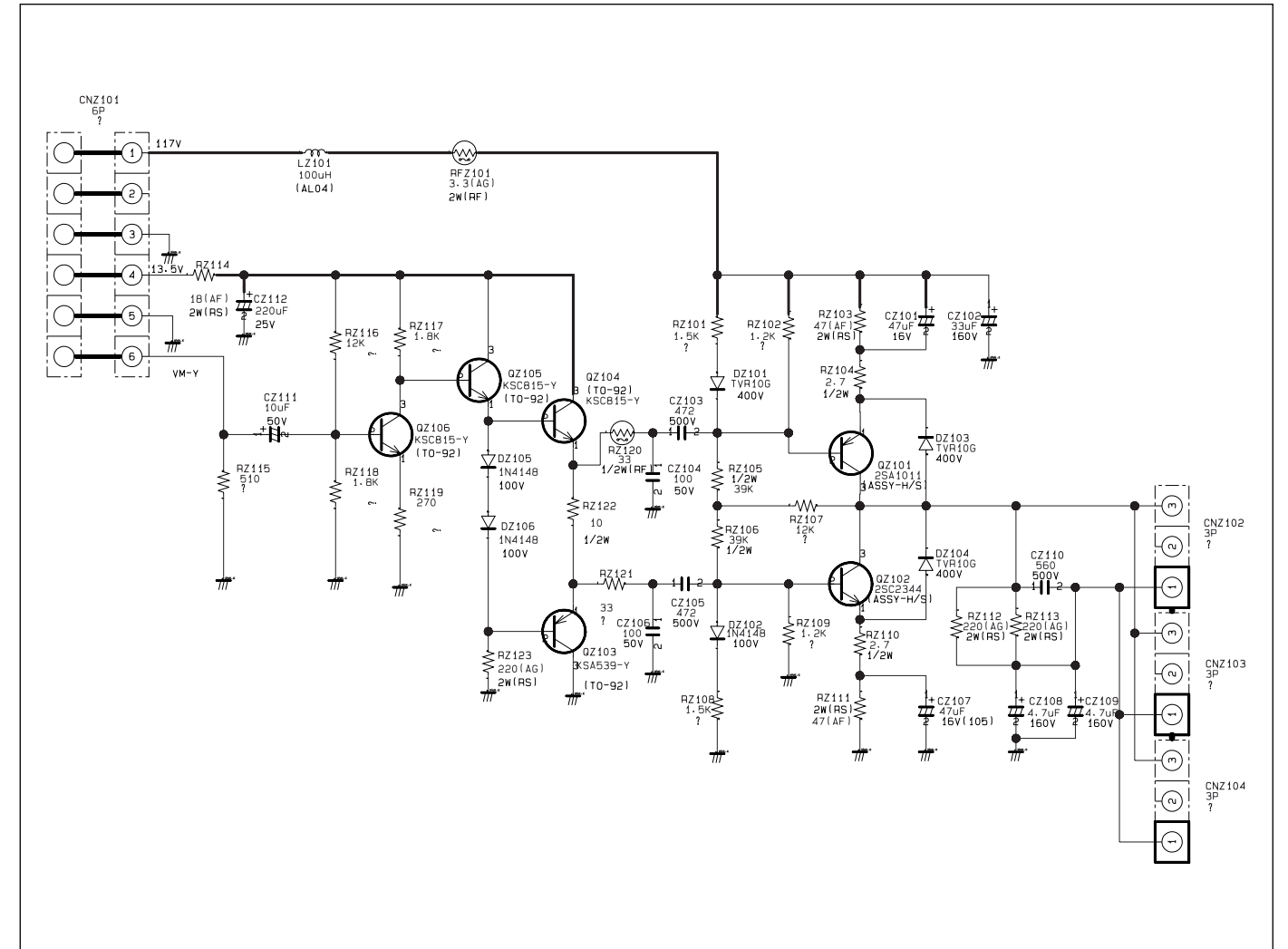


10-21 CONTROL, VM

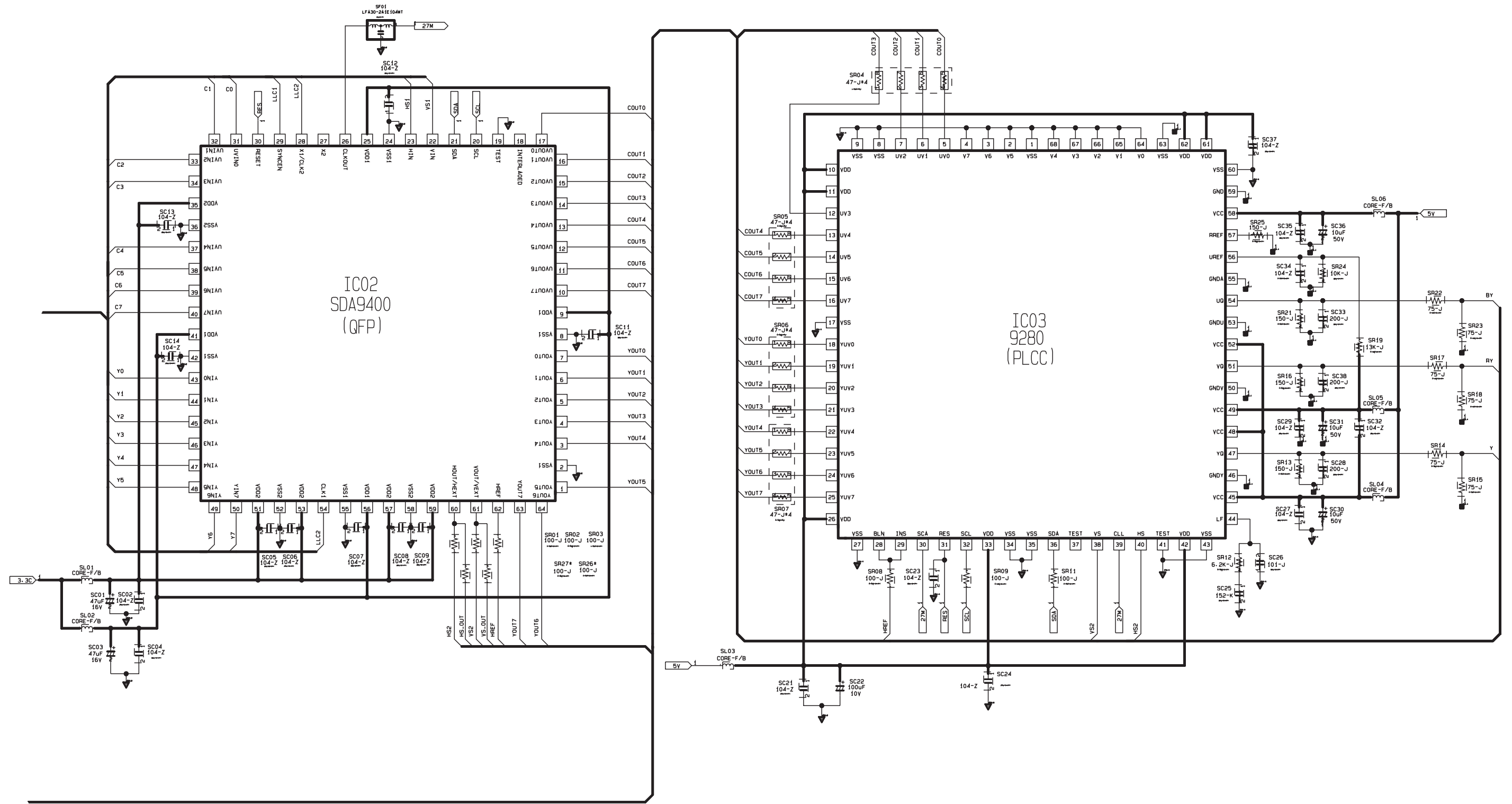
CONTROL



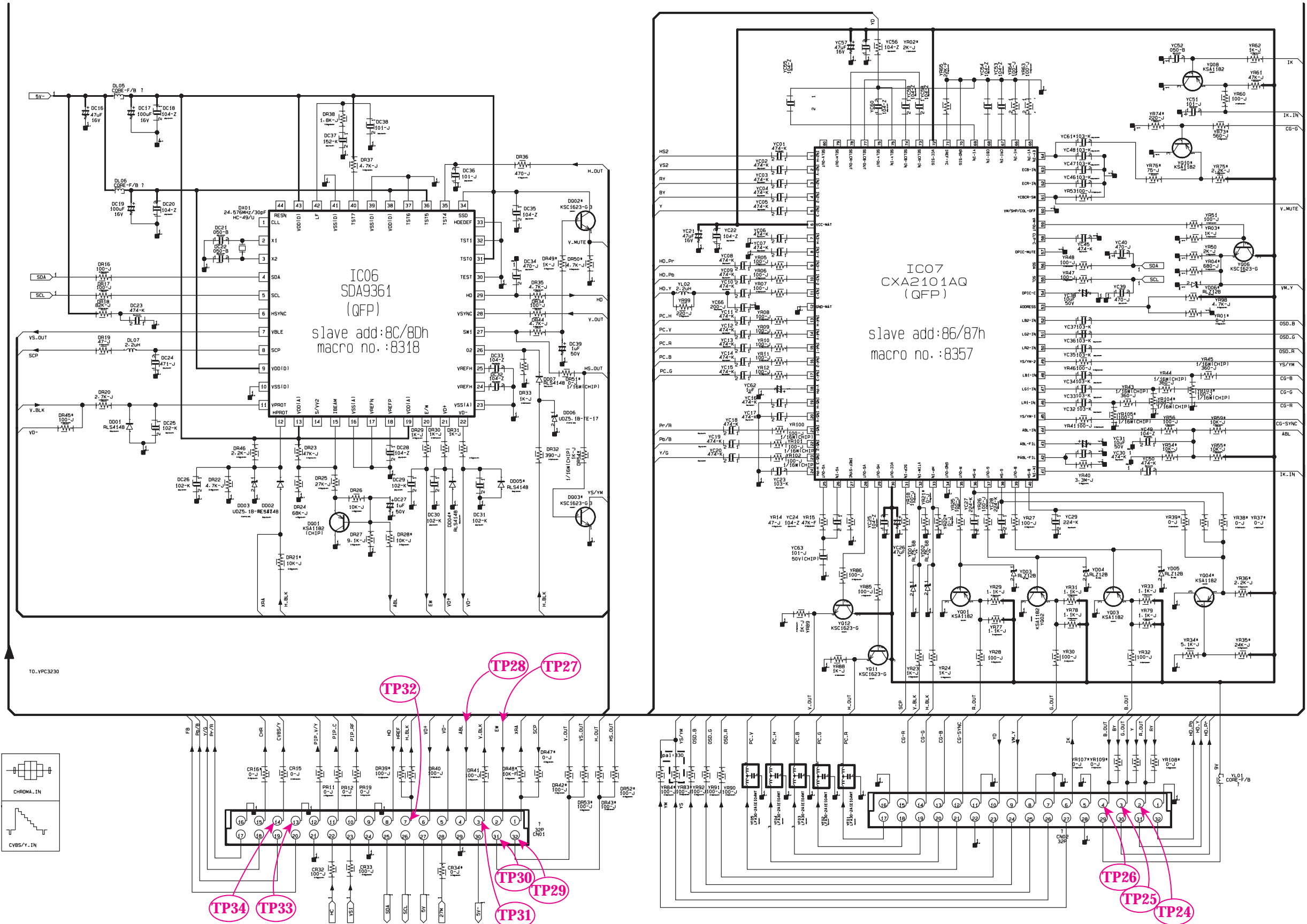
VM



10-23 DW 2



10-24 DW 3



10-24-1 DW 3 WAVEFORMS

